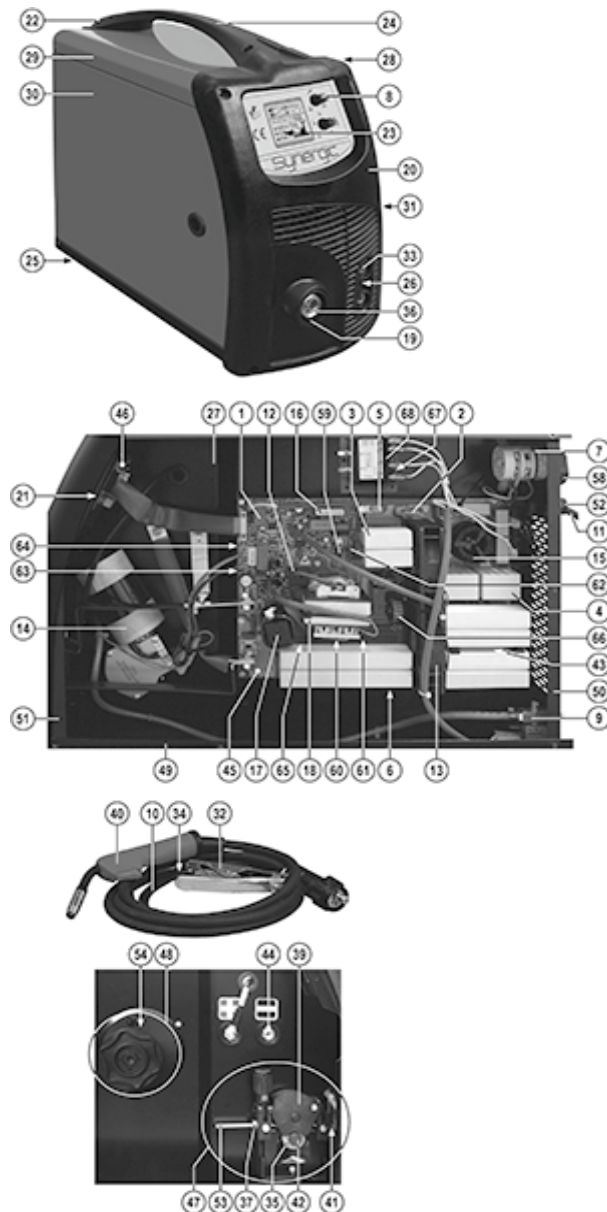


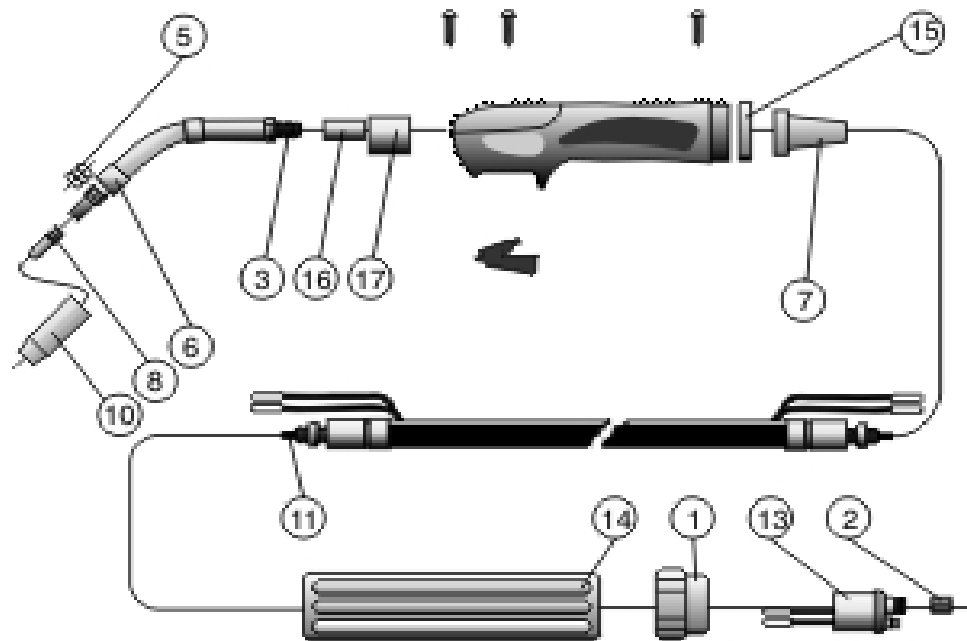
ELECTROMIG 220 SYNERGIC 400V



Ref.	Description	Key
1	RELAIS	111926
2	RESISTANCE	116752
3	SINGLE PHASE BRIDGE	111259
4	CONDENSER	116882
5	RELAIS	116320
6	DIODE	116839
7	SWITCH	121556
8	ENCODER KNOB	121315
9	ELECTROVALVE	122035
10	CABLE 16 MMQ 3 M - DINSE 25	123437
11	MAINS CABLE 4G1.5 2 M	132237
12	CURRENT TRANSFORMER	152230
13	FAN	152006
14	MOTOREDUCER 24V DC	153039
15	FILTER INDUCTOR	169747
16	TRASFO FLYBACK AUX	169838
17	OUTPUT INDUCTANCE	169808
18	POWER TRAF0	169832
19	TORCH CONNECTION PROTECTION	312105
20	FRONT PANEL	321135
21	CARD HOLDER	321196
22	HANDLECOVER	321142
23	SHIELD	321194
24	HANDLE	322883
25	FOOT	323001
26	DINSE HOLDER	645623
27	DIAPHRAGM	645660
28	TORCH HOOK	645704
29	COVER	651201
30	DOOR	656162
31	SIDE PANEL	656161
32	TOLEDO 250 WORK CLAMP 250A	712030
33	DINSE SOCKET DX 25	712035
34	DINSE PLUG DX 25	712039
35	FEED ROLL D. 0,6-0,8 MM FE	722112

Ref.	Description	Key
36	TORCH CONNECTION	723229
37	WIRE GUIDE INLET	742064
38	FEED ROLL D. 0,8-1 MM AL	742090
39	ANCHOR FOR PRESSURE ROLLER	742096
40	MT15 MIG TORCH 3M	742180
41	WIRE CONDUIT Ø 2X5	742365
42	ROLLERFIXING SCREW	742397
43	IGBT + DIODE KIT	981370
44	CLAMP KIT	981383
45	COMPLETE PCB KIT	981577
46	KIT FRONT PANEL CARD	981578
47	KIT 2 ROLLS WIREFEEDER	981496
48	REEL KIT	981703
49	BOTTOM KIT	981498
50	BACK PANEL KIT	981579
51	FRONT PANEL KIT	981500
52	KIT CABLE BUSHING + RING NUT	990046
53	GAS HOSE KIT	990097
54	REEL SPACER	321210
58	SWITCH KNOB SET	323101
59	IGBT	111095
60	VARIATOR	116760
61	VOLTAGE SUPPRESSOR	116935
62	RESISTANCE 10R 2W 5% FUSE	116962
63	VOLTAGE SUPPRESSOR 24V	116980
64	FUSE	121456
65	THERMOSTAT	121546
66	INDUCTANCE	169746
67	FUSE	122432
68	AUXILIARY TRANSFORMER	164270

ELECTROMIG 220 SYNERGIC 400V



Ref.	Description	Key
1	RING NUT	722007
2	LINER NUT	722013
3	SWAN NECK DIFFUSER	722305
5	NOZZLE SPRING	722319
6	DIFFUSER INSULATION	722326
7	TORCH HOLDER	742172
8	CONTACT TIP D. 0,8 MM FE	722416
8	CONTACT TIP D. 0,6 MM FE	722415
10	CYLINDRICAL NOZZLE	722149
10	CONICAL NOZZLE	722423
11	WIRE GUIDE HOSE D. 1-1,2 MM 3 M	722689
11	WIRE GUIDE HOSE D. 0,6-0,8 MM 3 M	722437
13	TORCH ASSY	722441
14	TORCH CONNECTION	742175
15	TORCH RING NUT	742171
16	TORCH CONNECTION	722325
17	TORCH CONNECTION INSULATION	722693