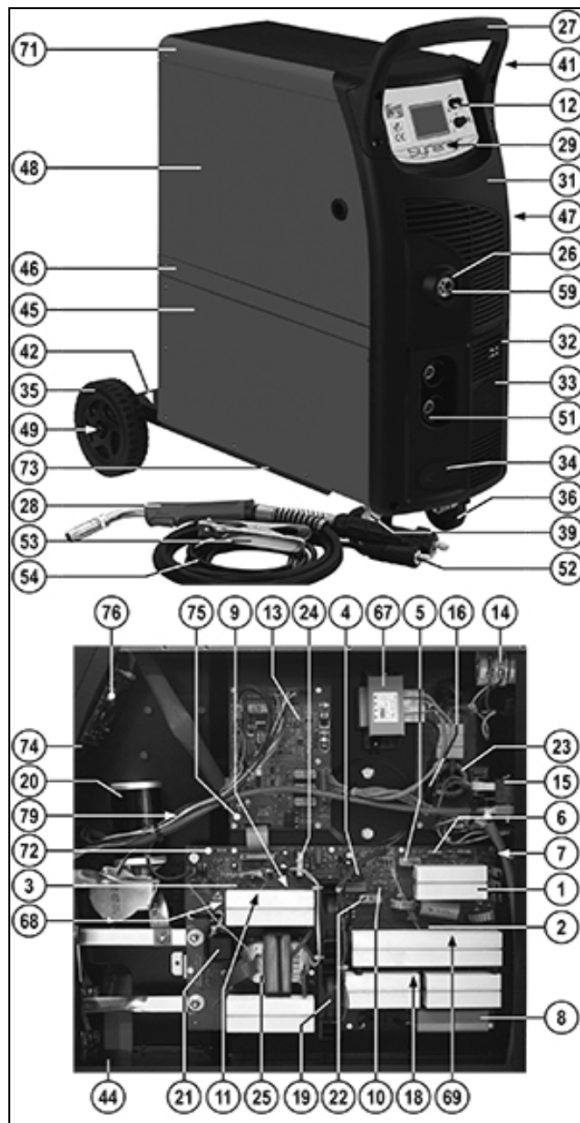
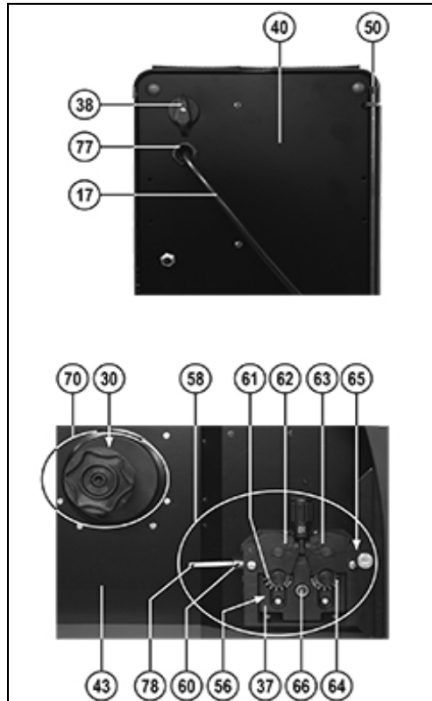
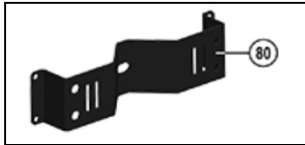


## ELECTROMIG 300 SYNERGIC 400V



Ref.	Description	Key	Ref.	Description	Key
1	SINGLE PHASE BRIDGE	111017	35	FIXED WHEEL	322200
2	RESISTANCE 22R 5W 5%	111327	36	WHEEL	322245
3	RESISTANCE	112374	37	COVER	322814
4	IGBT	113603	38	SWITCH KNOB SET	323101
5	RELAIS	116320	39	SWIVEL SUPPORT + BRAKE	484688
6	RESISTANCE	116752	40	BACK PANEL	642524
7	VARISTOR	116760	41	TORCH HOOK	645704
8	CONDENSER	116882	42	WHEELS AXLE BRAKET	645715
9	VOLTAGE SUPPRESSOR	116935	43	DIAPHRAGM	645745
10	RESISTANCE 10R 2W 5% FUSE	116962	44	SURFACE	645747
11	THERMAL SWITCH	121261	45	RIGHT SIDE PANEL	651242
12	ENCODER KNOB	121315	46	REEL SPACE	651240
13	FUSE	121456	47	SIDE PANEL	656202
14	SWITCH	121556	48	DOOR	656203
15	ELECTROVALVE	122035	49	WHEELS AXLE	681067
16	FUSE	122437	50	DOOR PIN	691013
17	MAINS CABLE 4G1.5 2 M	132237	51	DINSE SOCKET DX 50	712036
18	CURRENT TRANSFORMER	152230	52	DINSE PLUG DX 50	712040
19	FAN	152269	53	TOLEDO 300 WORK CLAMP	712231
20	MOTOR	153033	54	CABLE 25MMQ 3M-WORK CLAMP-DX 50	713192
21	INDUCTANCE	169556	55	FEED ROLL D. 0,6-0,8 MM FE	722225
22	INDUCTANCE	169746	56	FEED ROLL D. 0,8-1 MM FE	722227
23	FILTER INDUCTOR	169747	57	FEED ROLL D. 1,2-1,6 MM FE	722241
24	FLYBACK AUXILIARY TRANSFORMER	169862	58	4 ROLL WIREFEEDER	981928
25	POWER TRAF0	169887	59	TORCH CONNECTION	723229
26	TORCH CONNECTION PROTECTION	312105	60	WIRE GUIDE INLET	742064
27	HANDLE SET	321165	61	ADAPTER	742166
28	MT25 MIG TORCH 3 M	742183	62	LEFT ANCHOR FOR PRESSURE ROLLER	981929
29	DISPLAY HOLDER KIT	981817	63	RIGHT ANCHOR FOR PRESSURE ROLLER	981930
30	REEL SPACER	321210	64	MOTOR DRIVE GEAR	742348
31	UPPER FRONT PANEL	321137	65	WIRE CONDUIT Ø 2X5	742365
32	LOWER FRONT PANEL	321232	66	GEARS	742590
33	CAP	321233	67	AUTOTRASFO KIT	981278
34	CAP	321234	68	DIODE KIT	981632

## ELECTROMIG 300 SYNERGIC 400V

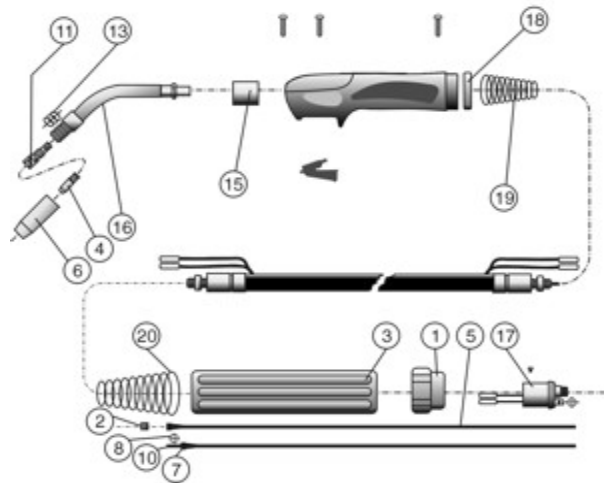


Ref.	Description	Key
69	KIT IGBT + PULSE TRANSFORMER	981633
70	REEL KIT 15KG	981703
71	COVER KIT	981740
72	COMPLETE PCB KIT	981814
73	BOTTOM KIT	981770
74	FRONT PANEL KIT	981815
75	CONTROL BOARD KIT	981885
76	KIT FRONT PANEL CARD	981816
77	KIT CABLE BUSHING + RING NUT	990046
78	GAS HOSE KIT	990097
79	FUSE	122434
80	BOTTLE-HOLDER BRACKET	645673



**ELECTROMIG 300 SYNERGIC 400V**

Ref.	Description	Key
------	-------------	-----



1	RING NUT	722007
2	LINER NUT	722013
3	TORCH CONNECTION	742175
4	CONTACT TIP D. 0,8 MM FE	722680
4	CONTACT TIP D. 0,6 MM FE	722415
4	CONTACT TIP D. 1 MM FE	722681
4	CONTACT TIP D. 1 MM AL/FLUX	722552
4	CONTACT TIP D. 1,2 MM FE	722682
4	CONTACT TIP D. 1,2 MM AL/FLUX	722553
5	WIRE GUIDE HOSE Ø 0,6-0,8 MM 3 M BLUE	722437
5	WIRE GUIDE HOSE Ø 1,0-1,2 3 M RED	722689
5	WIRE GUIDE HOSE D. 1-1,2 MM 3 M AL	722516
6	CONICAL NOZZLE	722685
6	CYLINDRICAL NOZZLE	722684
6	THIN HEADED NOZZLE	722686
6	SPOT WELDING NOZZLE D. 18 MM	722687
7	WIRE GUIDE LOCKING NIPPLES	722598
8	OR RING	722601
8	OR RING	722606
10	WIRE GUIDE LOCKING TUBE	722600
11	GAS DIFFUSER	722688
13	NOZZLE SPRING	722690
15	TORCH CONNECTION INSULATION	722693
16	SWAN NECK	722696
17	TORCH ASSY	722441
18	TORCH RING NUT	742171
19	TORCH HOLDER + SPRING	742173
20	TORCH SPRING	742174