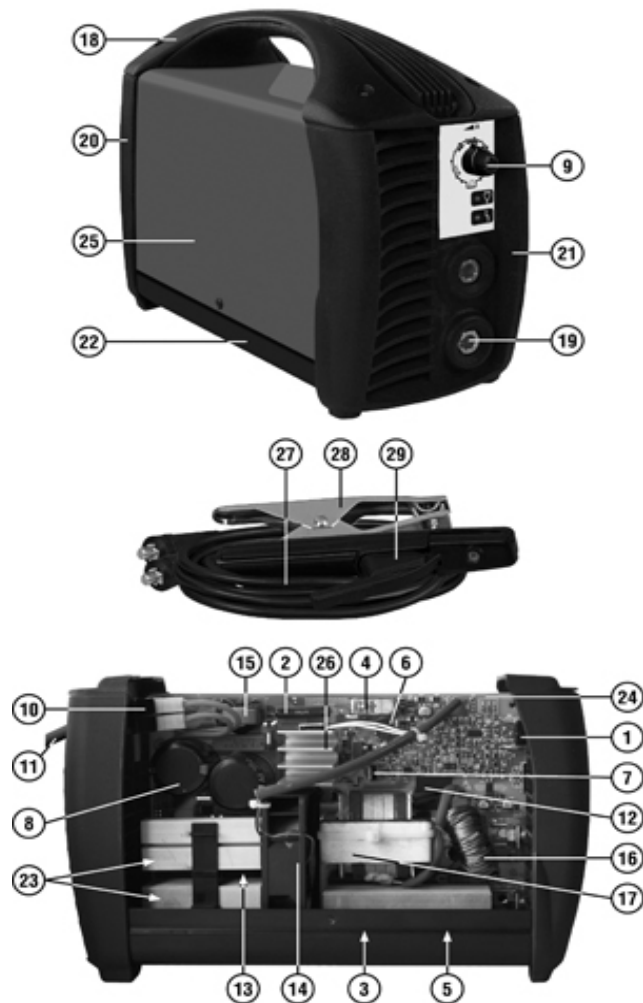


816122

Tecnica 211/S



Ref.	Description	Key
1	POTENTIOMETER	112017
2	RESISTANCE	112048
3	RELAIS	116320
5	DIODE	116839
6	INDUCTANCE	116848
7	MOSFET	116849
8	CONDENSER	116945
9	KNOB	121395
10	SWITCH	121248
11	MAINS CABLE 3G1.5 2 M SCHUKO PLUG	132155
12	CURRENT TRANSFORMER	152230
13	PULSE TRANSFORMER	152247
14	FAN	152269
15	FILTER INDUCTANCE	164741
16	INDUCTANCE	169664
17	POWER TRAFO	169666
18	HANDLE SET	312434
19	DINSE SOCKET DX 25	712000
20	BACK PANEL	322951
21	FRONT PANEL	322950
22	BOTTOM KIT	980345
23	IGBT + DIODE KIT	980990
24	COMPLETE PCB KIT	981072
25	COVER KIT	981073
26	BRIDGE + THERMAL SWITCH KIT	980992
27	CABLE 16 MMQ 1,8 M - DINSE 25	120602
28	TOLEDO 250 WORK CLAMP 250A	712030
29	DALLAS 300 ELECTRODE HOLDER 300A	712260