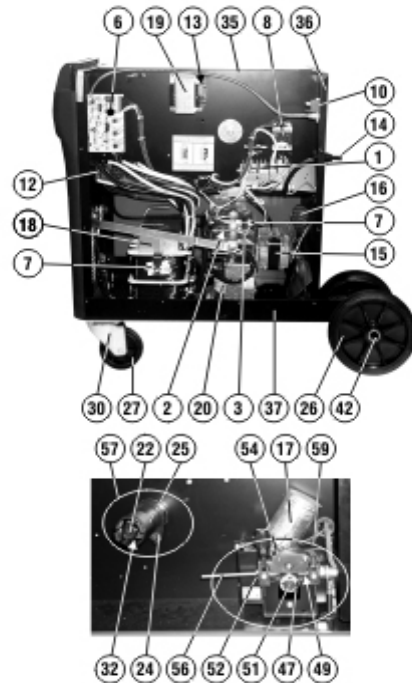
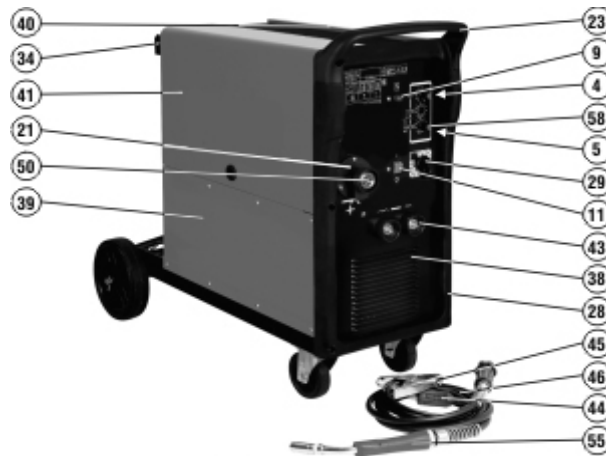


821065

Mastermig 270/2

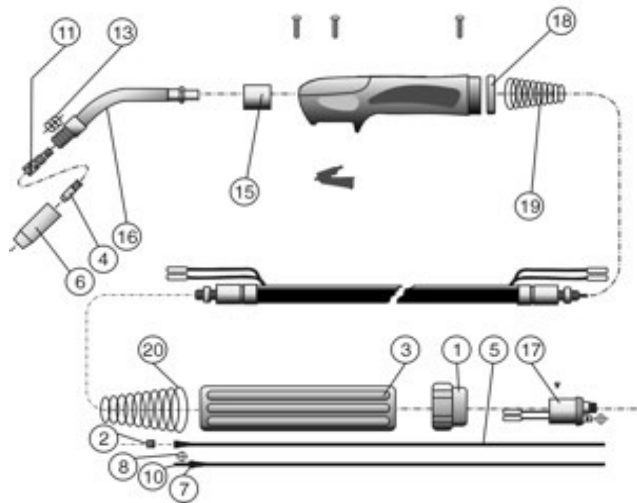


Ref.	Description	Key
1	CHANGING VOLTAGE CARD	112165
2	RECTIFIER PROTECTION	112182
3	RECTIFIER	112315
4	POTENTIOMETER	112363
5	POTENTIOMETER	112380
6	TIMER CONTROL PCB KIT	980714
7	THERMOSTAT	122132
8	CONTACTOR	122459
9	YELLOW PILOT LAMP	122594
10	ELECTRO-VALVE	122682
11	SWITCH	122725
12	SWITCH	122827
13	FUSE	122879
14	MAINS CABLE 4G2.5 3 M	132039
15	MOTOR	152083
16	FAN BLADE	152113
17	WIRE FEED MOTOR	153028
18	TRANSFORMER	164087
19	AUXILIARY TRANSFORMER	164991
20	REACTANCE	169370
21	TORCH CONNECTION PROTECTION	312105
22	REEL HANDWHEEL	312137
23	HANDLE	312328
24	REEL	322081
25	SPACER	322180
26	FIXED WHEEL	322200
27	WHEEL	322246
28	FRAME	322698
29	SWITCH KNOB SET	323101
30	SWIVEL SUPPORT	422969
31	ARGON GAS BOTTLE IT ADAPTOR	432036
32	REEL SPRING	452057
33	TORCH HOOK	644444
34	BRACKET FOR BOTTLE	644606

Ref.	Description	Key
35	DIAPHRAGM	645112
36	BACK PANEL	645113
37	BOTTOM	645114
38	FRONT PANEL	649634
39	SIDE PANEL	651034
40	COVER KIT	980872
41	DOOR KIT	980912
42	WHEELS AXLE	681092
43	DINSE SOCKET DX 50	712036
44	DINSE PLUG DX 50	712040
45	TOLEDO 300A WORK CLAMP	712231
46	CABLE 25MMQ 3M-WORK CLAMP-DX 50	713192
47	FEED ROLL D. 0.6-0.8	722112
48	GAS REGULATOR 2 MANOMETERS	722119
49	WIRE CONDUIT Ø 2X5	722358
50	TORCH CONNECTION	723186
51	ROLLERFIXING SCREW	742397
52	WIRE GUIDE INLET	742064
53	FEED ROLL D.0,8-1 AL	742090
54	ANCHOR FOR PRESSURE ROLLER	742096
55	MT25 MIG TORCH 3 M 270 A	742183
56	GAS HOSE KIT	990097
57	REEL KIT	990264
58	KNOB	121395
59	KIT 2 ROLLS WIREFEEDER	990632

821065

Mastermig 270/2



Ref.	Description	Key
1	RING NUT	722007
2	LINER NUT	722013
3	TORCH CONNECTION	742175
4	CONTACT TIP D.0,8	722680
4	CONTACT TIP Ø 0,6 MM	722415
4	CONTACT TIP Ø 1,0 MM	722681
4	CONTACT TIP AL/FLUX Ø 1,0 MM	722552
4	CONTACT TIP Ø 1,2 MM	722682
4	CONTACT TIP AL/FLUX Ø 1,2 MM	722553
5	LINER D. 0,6-0,8 3M	722437
5	WIRE GUIDE HOSE Ø 1-1,2 MM 3 M	722689
5	WIRE GUIDE HOSE Ø 1-1,2 MM AL	722516
6	CONICAL NOZZLE	722685
6	CYLINDRICAL NOZZLE	722684
6	THIN HEADED NOZZLE	722686
6	SPOT WELDING NOZZLE Ø 18 MM	722687
7	WIRE GUIDE LOCKING NIPPLES	722598
8	OR RING	722601
8	OR RING	722606
10	WIRE GUIDE LOCKING TUBE	722600
11	GAS DIFFUSER	722688
13	NOZZLE SPRING	722690
15	TORCH CONNECTION INSULATION	722693
16	SWAN NECK	722696
17	TORCH ASSY	722441
18	TORCH RING NUT	742171
19	TORCH HOLDER + SPRING	742173
20	TORCH SPRING	742174