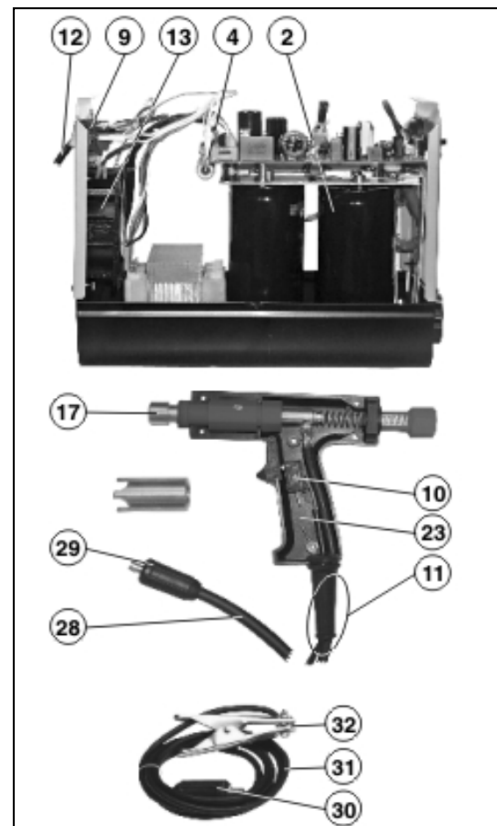
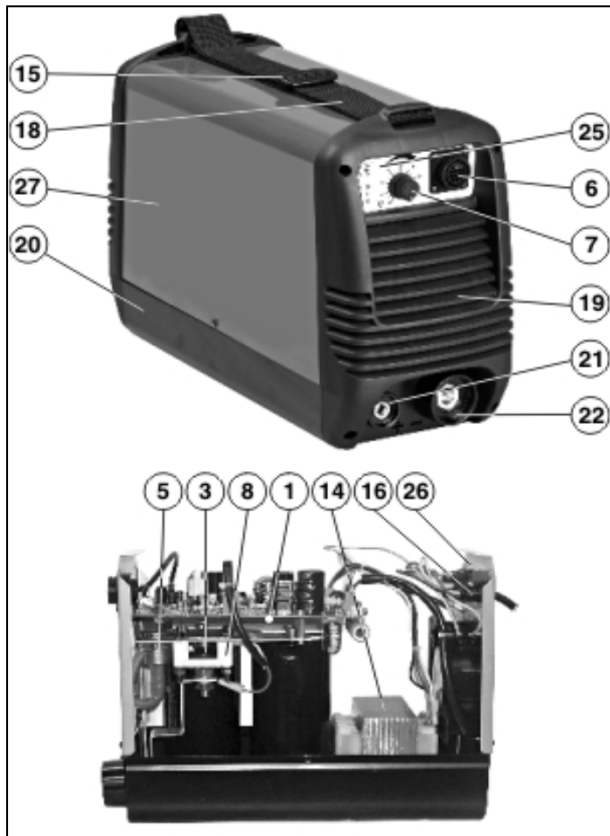


823049

Aluspotter 6100



Ref.	Description	Key
1	PCB	980446
2	CAPACITOR	116035
3	KIT SCR + CABLE	981159
4	RESISTANCE	116043
5	DIODE	116067
6	CARD/PUSHBUTTON CABLE	120878
7	KNOB FOR POTENTIOMETER	121043
8	CLAMPING DEVICE	121125
9	SWITCH	122477
10	MICROSWITCH	122393
11	GUN CABLE	120576
12	MAINS CABLE H05VV-F 3G01.50 L=02.30	132372
13	MOTOR FAN	152237
14	POWER TRANSFORMER	169483
15	BELT BUCKLE	322065
16	CABLE BUSHING	322112
17	NUT	742256
18	BELT	322408
19	FRONT PANEL	322497
20	BOTTOM	645238
21	KIT CABLE BUSHING + NUT	990152
22	DINSE SOCKET DX 50	712036
23	KNOB KIT	990781
25	FRONT PANEL	638577
26	BACK PANEL	638578
27	COVER KIT	990850
28	CABLE 25 MMQ 3 M	123467
29	DINSE PLUG DX 50	712040
31	CABLE 25 MMQ 2 M	123466
32	TOLEDO 300 WORK CLAMP	712231