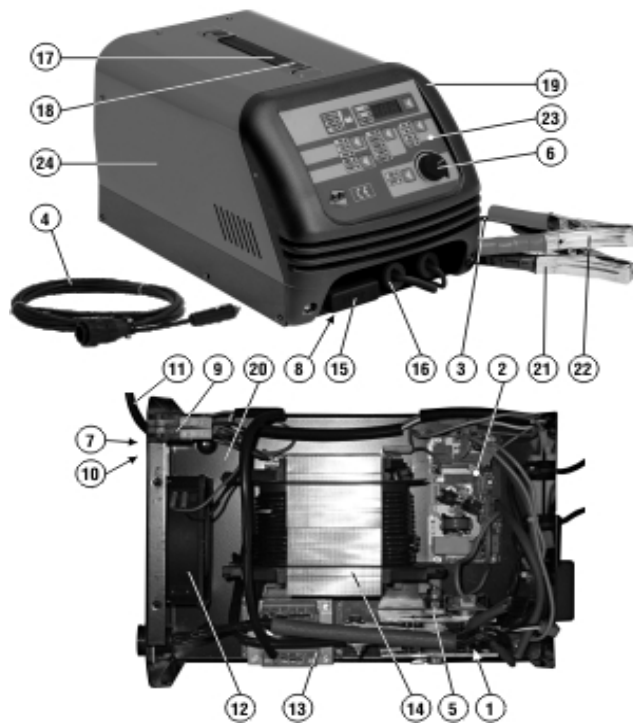


829033

Startronic 330



Ref.	Description	Key
1	RECTIFIER PROTECTION	112185
2	SCR BOARD KIT	980298
3	CABLE 6 MMQ 1,8 M	120300
4	LIGHTER CONNECTION CABLE	120948
5	SINGLE-PHASE RECTIFIER	121151
6	KNOB FOR POTENTIOMETER	121281
7	FUSE HOLDER	122159
8	FUSE	122350
9	SWITCH	122477
10	FUSE	122760
11	MAINS CABLE 3G1.5 2 M SCHUKO PLUG	132310
12	FAN	152101
13	AUXILIARY TRANSFORMER	169661
14	TRANSFORMER	169538
15	FUSE COVER	322051
16	CABLE BUSHING	322112
17	KNOB	322239
18	CLIP	322242
19	FRONT PANEL	322472
20	BOTTOM	649876
21	COLORADO 150B WORK CLAMP 150A	712001
22	COLORADO 150R POSITIVE CLAMP 150A	712002
23	FRONT PANEL + MODULE SET	980296
24	COVER KIT	980560