



IPC

Spare parts list

Ref: ASDO13653

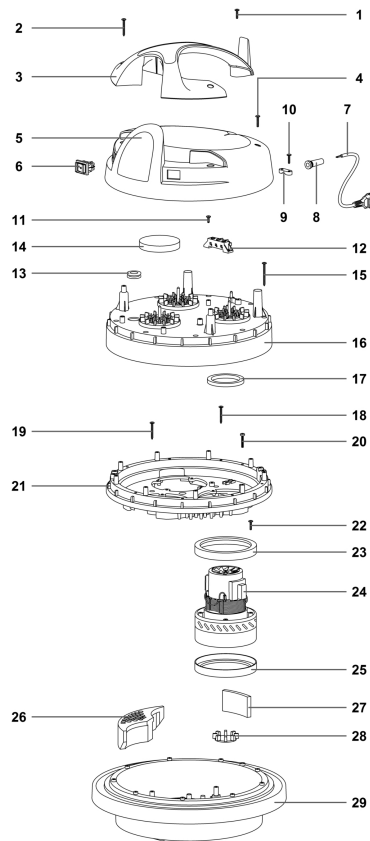
Model: VACUUM CLEANER GS3/50 OPT W&D MFS



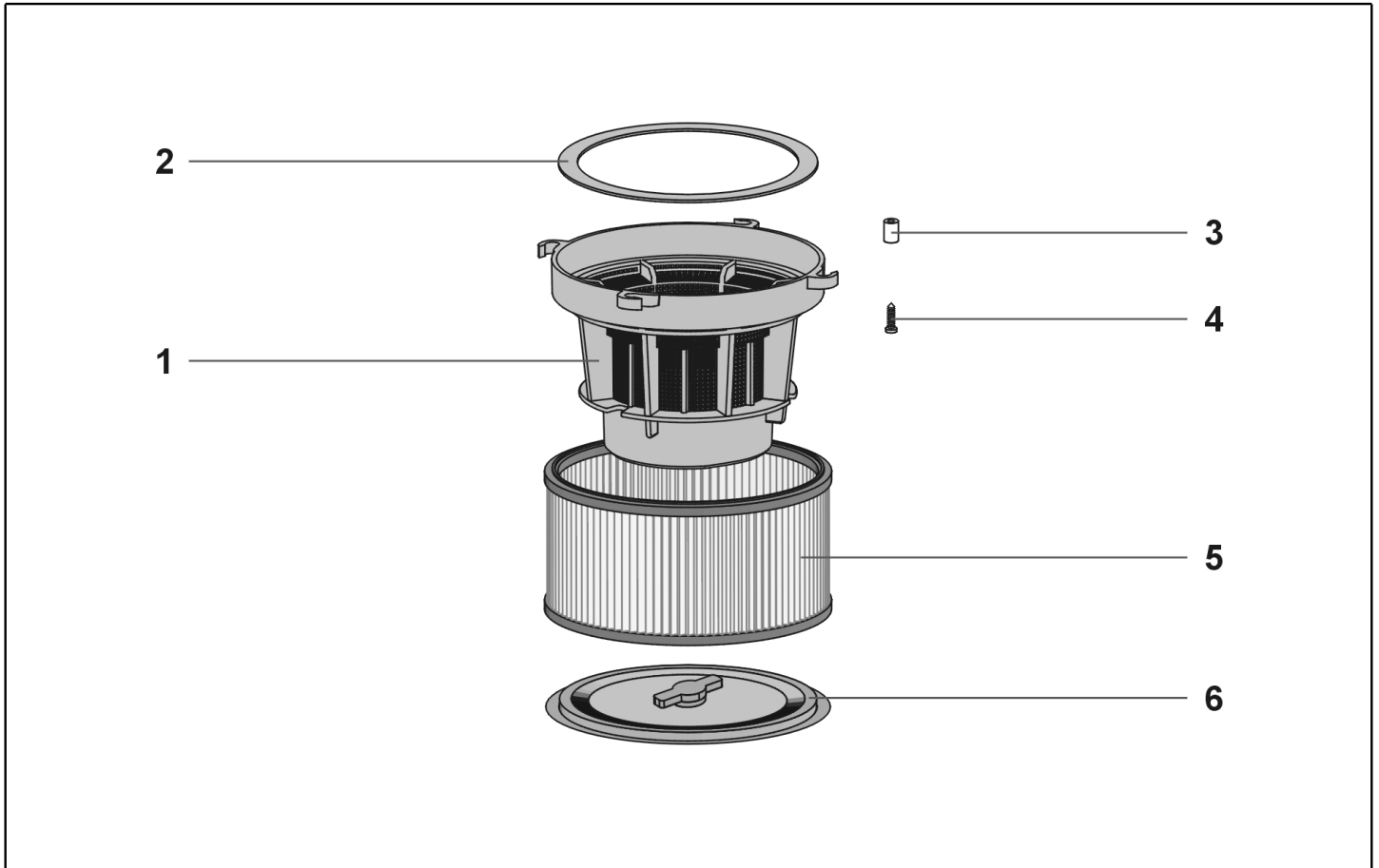
IPC Integrated Professional Cleaning

IPC Soteco

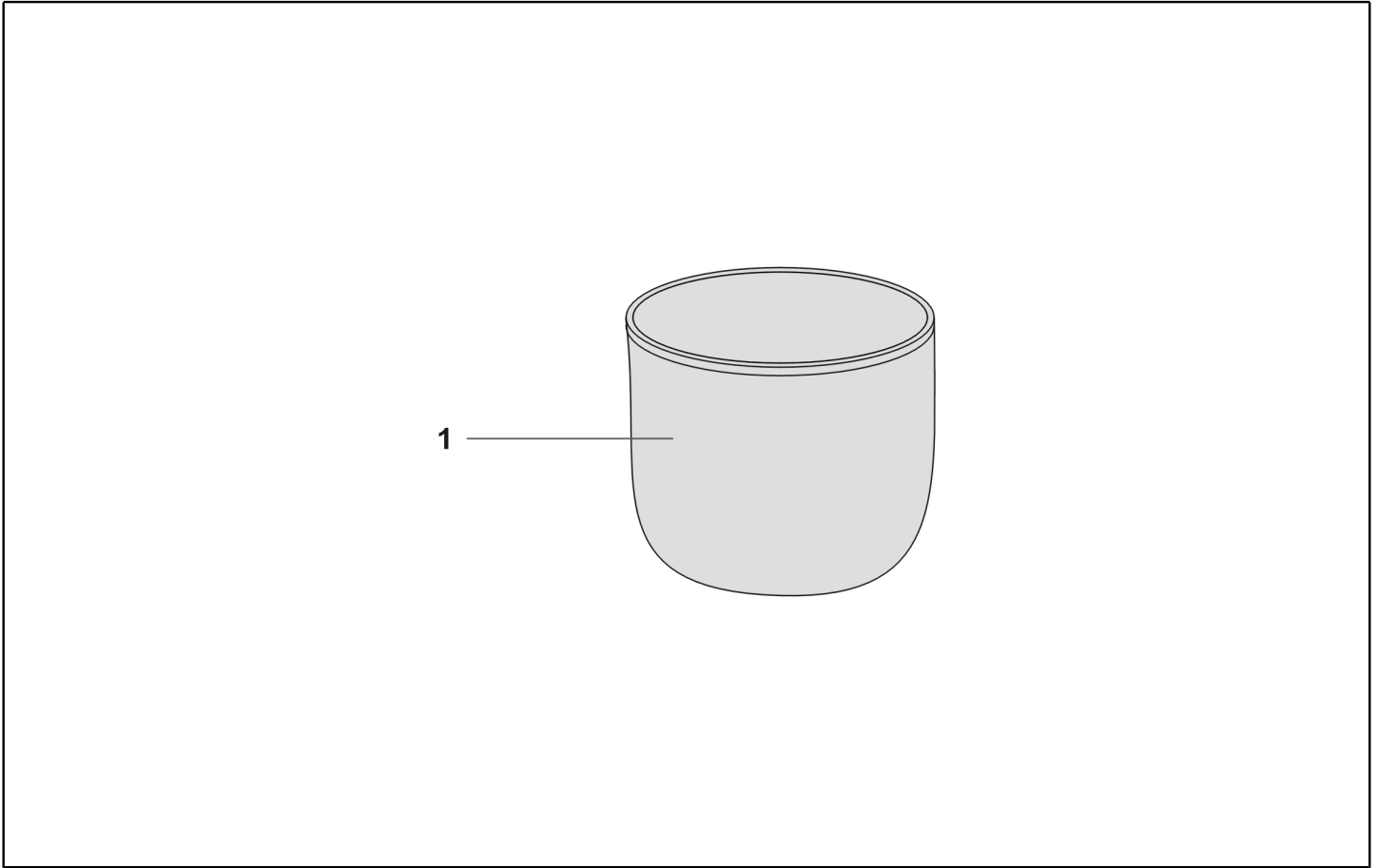
Ref. K	Part n.	Part n. 2	Description	Quantity	Validity		Price
					From	To	
0001	PMTA09061		HEAD TOPPER 640 2ST G5/NE	1,00			--
0002	KTRI05273		FILTERING KIT C/CART.HEPA ALT.=125 H14	1,00			--
0003	FTDP00223		PCARBON FILTER 400/600 H=580 L=640	1,00			--
0004	FTDP88585		KIT RING+FIL.+CILINDER V600M	1,00			--
0005	PMFU02795		TANK DEC.600 OPT SC/FI S/BOCC.	1,00			--
0006	KTRI04157		KIT FLOATING 600 PLANET	1,00			--
0007	PMFU02796		TANK 600 OPTIM	1,00			--
0008	PMVR06689		CONVEYOR 600 MAMMUT-TITAN C/GUA	1,00			--
0009	CARR01804		TROLLEY OPTIM 600 SMALL	1,00			--



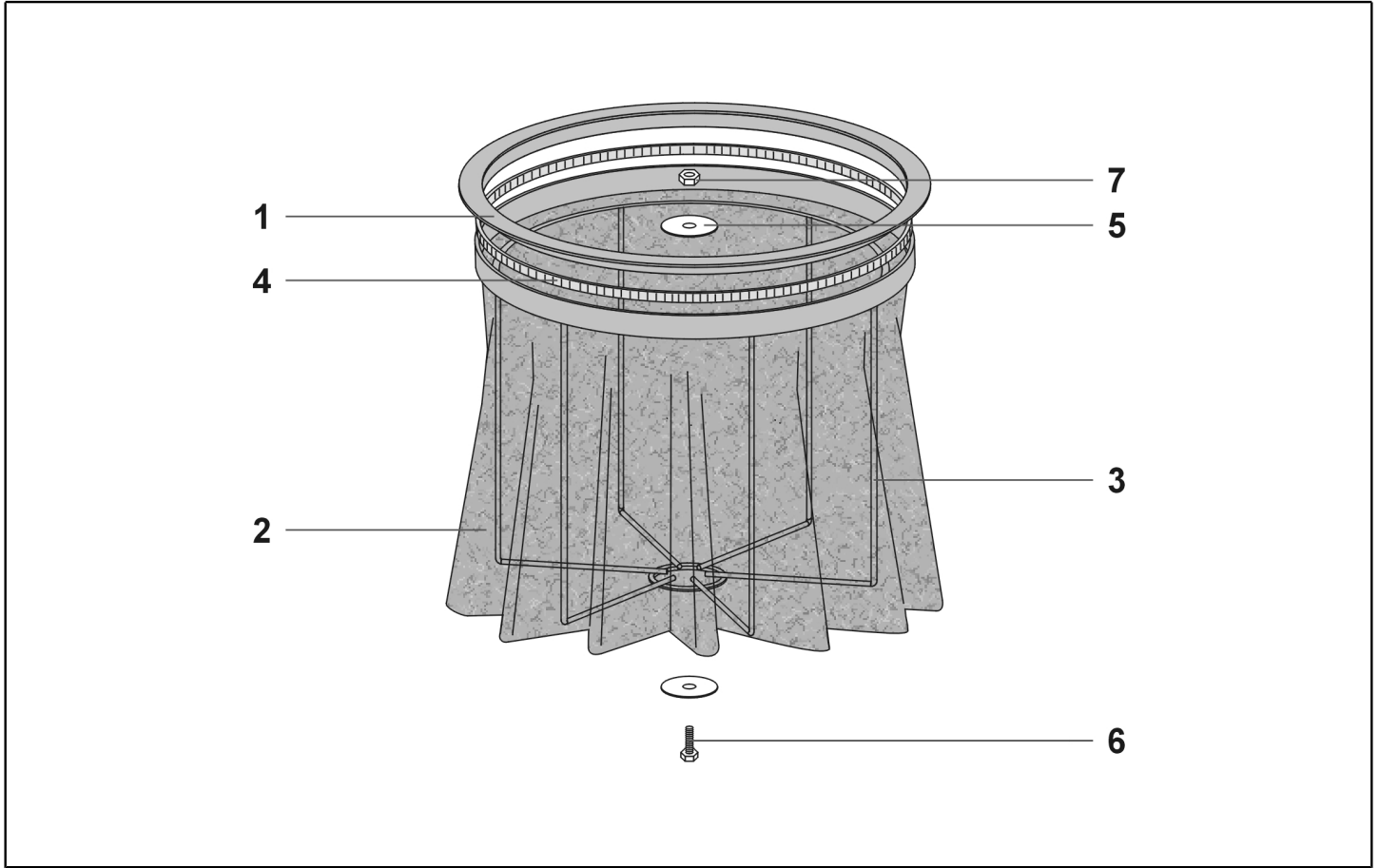
Ref. K	Part n.	Part n. 2	Description	Quantity	Validity		Price
					From	To	
*	MECB01826		WIRING 50CM MOTORE POKE-IN-TP	3,00		18/04/2022	--
*	FSVR00127		CLAMP	3,00			--
*	MECB35712		WIRE WITH RESISTANCE	1,00			--
*	MECB01831		ELECTR.KIT 50CM POKE-IN MOT TP 1200	3,00	19/04/2022		--
0001	VTVT71961		SCREW PFU TMT PHL 5X20 ZN NERA	1,00			--
0002	VTVT72106		SCREW PAT TMT PHL 5X40 BLACK	2,00			--
0003	MPVR08302		HANDLE TOPPER 600 G5000	1,00			--
0004	VTVT72055		SCREW PFU TMT PHL 5X25 ZN BLACK	2,00			--
0005	PMVR06241		COVER TOPPER 600 NE 3INT	1,00			--
0006	MECI28744		ANTISPLASH RED LIGHT SWITCHER	3,00			--
0007	MECB31445		ELECTRIC CORD 2X1,5 MT.8,5	1,00		18/04/2022	--
0007	MECB01795		POWER CORD 2X1,5 MT.1,3 C/SPINA	1,00	19/04/2022		--
0008	MEVR28673		FAIRLEAD	1,00			--
0009	MPVR28690		CABLE CLAMP	1,00			--
0010	VTVT71961		SCREW PFU TMT PHL 5X20 ZN NERA	1,00			--
0011	VTVT71960		SCREW PAT TMT PHL 5X14 ZN	2,00			--
0012	MEVR02008		TERM.BOARD 400-600 3MOT.RAD	1,00			--
0013	MEVR72017		GUIDING SLIT FOR QUICK COUPLING	1,00			--
0014	FTDP38064		FILTER MTP/65 H=15 D.95	3,00			--
0015	VTVT40007		SCREW PAT TMT PHL 5X55 BLACK	9,00			--
0016	MPVR08511		GREY COVER 600 5000	1,00			--
0017	MPVR38371		WASHER H8 D85X65	3,00			--
0018	VTVT72106		SCREW PAT TMT PHL 5X40 BLACK	9,00			--
0019	VTVT72106		SCREW PAT TMT PHL 5X40 BLACK	3,00			--
0020	VTVT01181		SCREW TC CROSS M 5X30 UNI 7687	1,00			--
0021	MPVR89502		MOTOR-FASTENER NEV.600 BLACK	1,00			--
0022	VTVT71961		SCREW PFU TMT PHL 5X20 ZN NERA	12,00			--
0023	GUGO28683		"L" GASKET W/O HOLES H=5,5	3,00			--
0024	MOMO00354		MOTOR BD302 1000W 220-240 50/60	3,00		18/04/2022	--
0024	MOMO00353		MOTOR BD382 1200W 220-240 50/60	3,00	19/04/2022		--
0025	GUGO28683		"L" GASKET W/O HOLES H=5,5	3,00			--
0026	FTDP38057		ANTINOISE TRIANGLE H=51	3,00			--
0027	FTDP28745		GASKET MTP/30 AU-AD 50X10X85	3,00			--
0028	MPVR28748		AUTOMATIC VALVE	3,00			--
0029	MPVR28752		COMPL.BASE NEV.600 W/S.PLATE BLACK	1,00			--



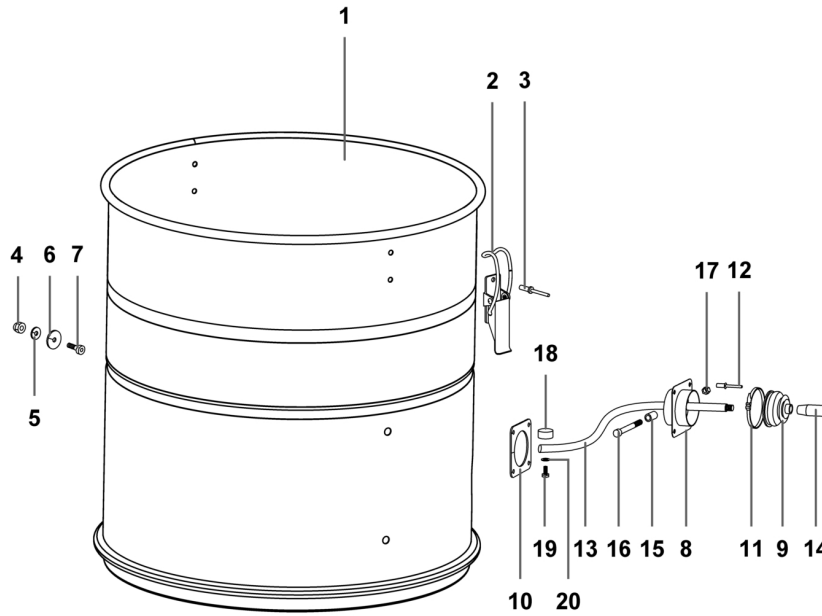
Ref. K	Part n.	Part n. 2	Description	Quantity	Validity		Price
					From	To	
0001	MPVR40590		NET ANTIFOAM BODY LOW	1,00			--
0002	GUVR40078		GASKET H3 DS50 W/ANTIFOAM BODY	1,00			--
0003	MPVR35796		BUSHING PLASTIC SLEEVE D.8	4,00			--
0004	VTVT36751		SCREW SCREW PAT TMT PHL 5X25	4,00			--
0005	FTDP00553		CARTRIDGE HEPA ALT.=125 H14	1,00			--
0006	MPVR28723		COMPL.RING FOR FILTER	1,00			--



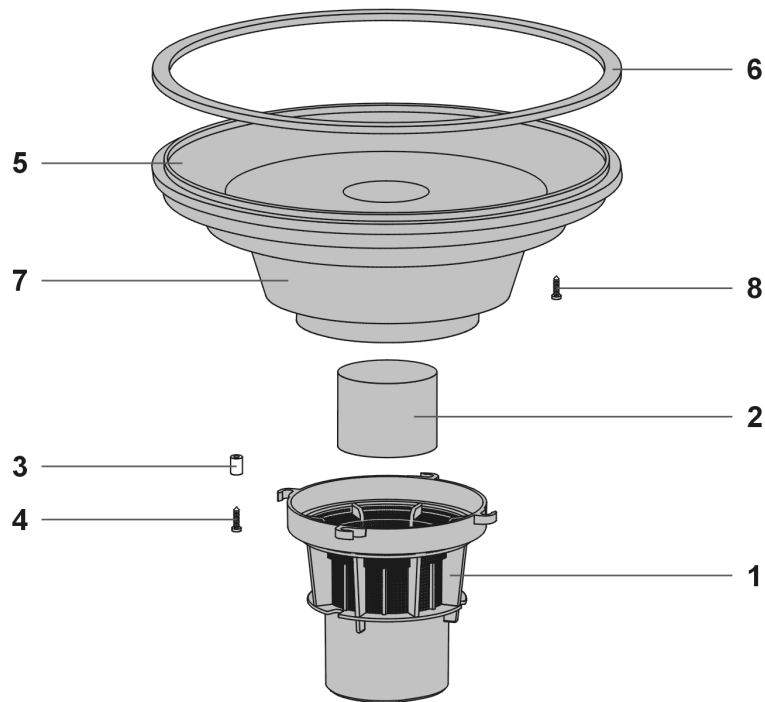
Ref. K	Part n.	Part n. 2	Description	Quantity	Validity		Price
					From	To	
0001	FTDP00223		PCARBON FILTER 400/600 H=580 L=640	1,00			--
0001	FTDP00223		PCARBON FILTER 400/600 H=580 L=640	1,00			--



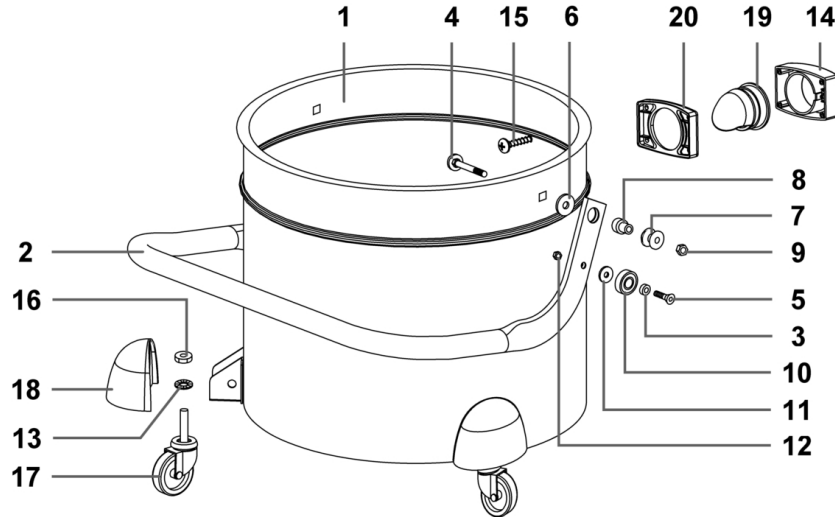
Ref. K	Part n.	Part n. 2	Description	Quantity	Validity		Price
					From	To	
0001	MPVR35495		FILTER RING 600	1,00			--
0002	FTDP88584		POLYESTERE FILTER V600M	1,00			--
0003	MPVR88838		BASKET V 600 M	1,00			--
0004	FSVR00148		CLAMP STRINGITUBO D.345-380	1,00			--
0005	PMVR04414		CAP D64 FILTERSHAKER PLANET	5,00			--
0006	VTVT01090		SCREW TE M 6X20 UNI 5739	1,00			--
0007	VTDD00230		SELF-LOCJ.NUT M 6 SMALL UNI 7474	1,00			--



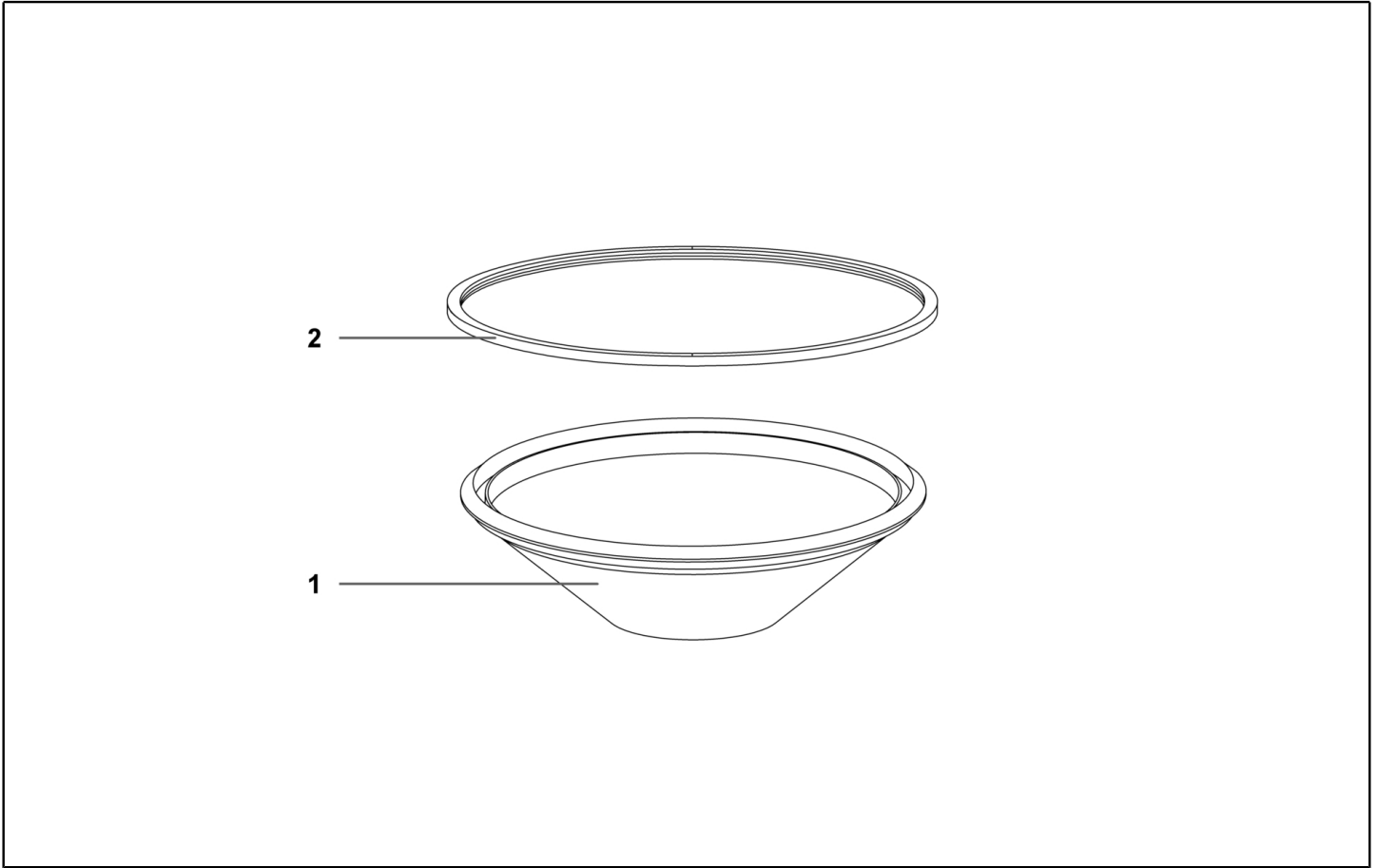
Ref. K	Part n.	Part n. 2	Description	Quantity	Validity		Price
					From	To	
0001	LAFN11465		TANK DEC.600 OPT SC/FI S/BOCC.	1,00			--
0002	CHVR40000		UNIVERSAL METAL HOOK	2,00			--
0003	VTVR71991		RIVET 5X11	4,00			--
0004	VTDD00214		NUT M 8 UNI 5721	4,00			--
0005	VTRS00396		WASHER M 8 UNI 6592	4,00			--
0006	VTVR72041		WASHER 8X32 UNI6593	4,00			--
0007	VTVT01392		SCREW TBEI 8X16 UNI 7380 INOX	4,00			--
0008	LAFN88787		BELLOWS HOLDER F/FILTERSHAKER	1,00			--
0009	MPVR88788		BELLOWS PROTECTION PLANET 200	1,00			--
0010	GUGO88789		PLANET 100 SHAKER FILTER GASKET	1,00			--
0011	FSVR00074		CLIP 300X9	1,00			--
0012	VTVR00395		RIVET 4,8X15 INOX	4,00			--
0013	LAFN08493		LEVER SCUOTIFILTRO PLANET 150	1,00			--
0014	VTVR37754		KNOB M10x30 L=70	1,00			--
0015	MPVR06932		SPACER PLASTIC D.10 D.6,3X20	2,00			--
0016	VTVT01235		SCREW TE M 6X70 UNI 5737	1,00			--
0017	VTDD00230		SELF-LOCJ.NUT M 6 SMALL UNI 7474	1,00			--
0018	LAFN88792		DUMPING BASE BELT DRIVER M8 H=20	1,00			--
0019	VTVT01028		SCREW TE M 8X25 UNI 5739	1,00			--
0020	VTRS00427		TOOTHED WASHER M8 UNI 8842	1,00			--



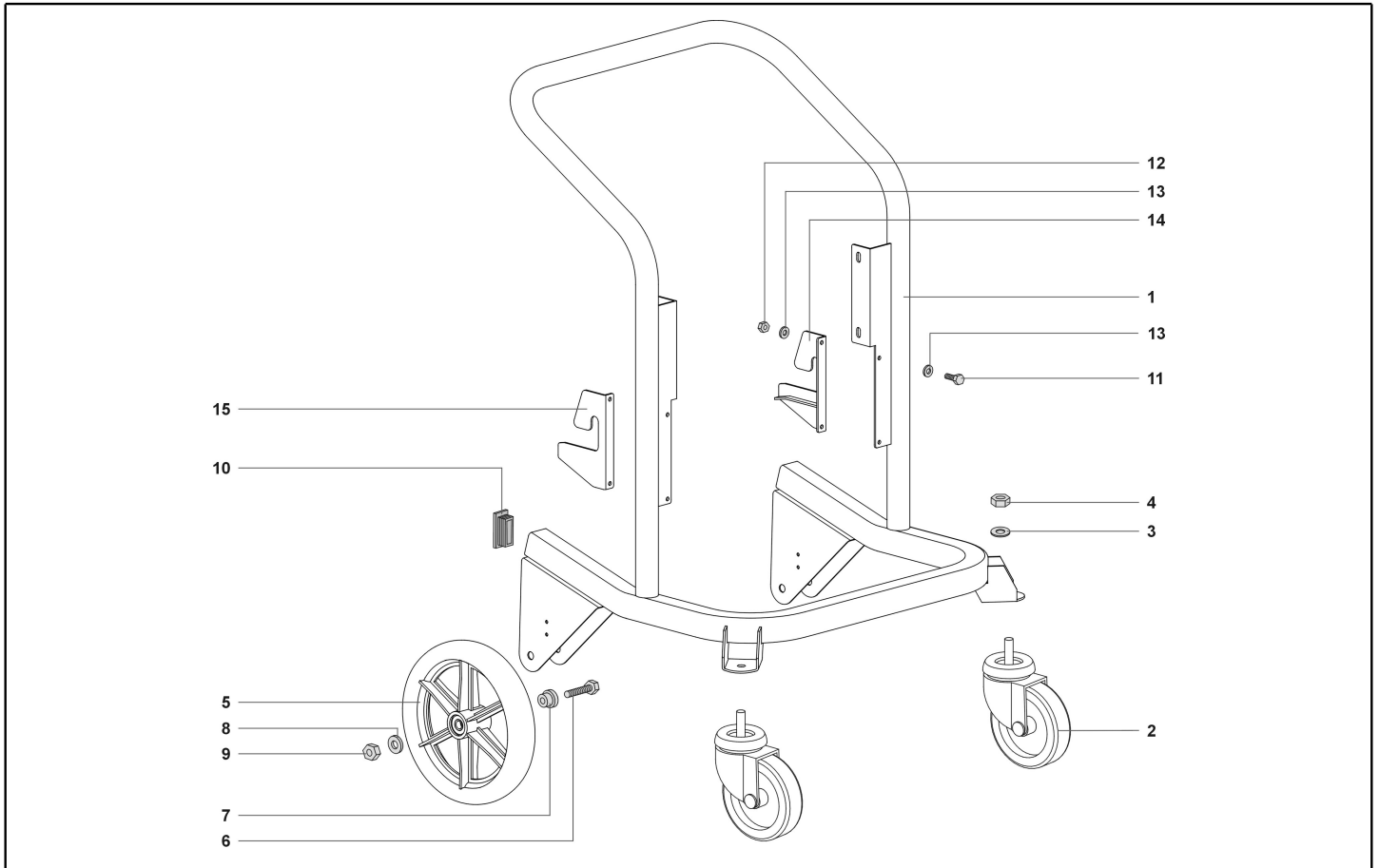
Ref. K	Part n.	Part n. 2	Description	Quantity	Validity		Price
					From	To	
0001	MPVR40521		NET ANTIFOAM BODY HIGH	1,00			--
0002	RCGR00110		FLOATER HIGHER FLOAT 99 108GR	1,00			--
0003	MPVR35796		BUSHING PLASTIC SLEEVE D.8	4,00			--
0004	VTVT36751		SCREW SCREW PAT TMT PHL 5X25	4,00			--
0005	MPVR06668		SUPPORT CICLONE 600	1,00			--
0006	GLVR37740		GASKET MIR. D.600 L=1200	1,00			--
0007	MPVR28753		CONVEYOR MINUS	1,00			--
0008	VTVT71960		SCREW PAT TMT PHL 5X14 ZN	12,00			--



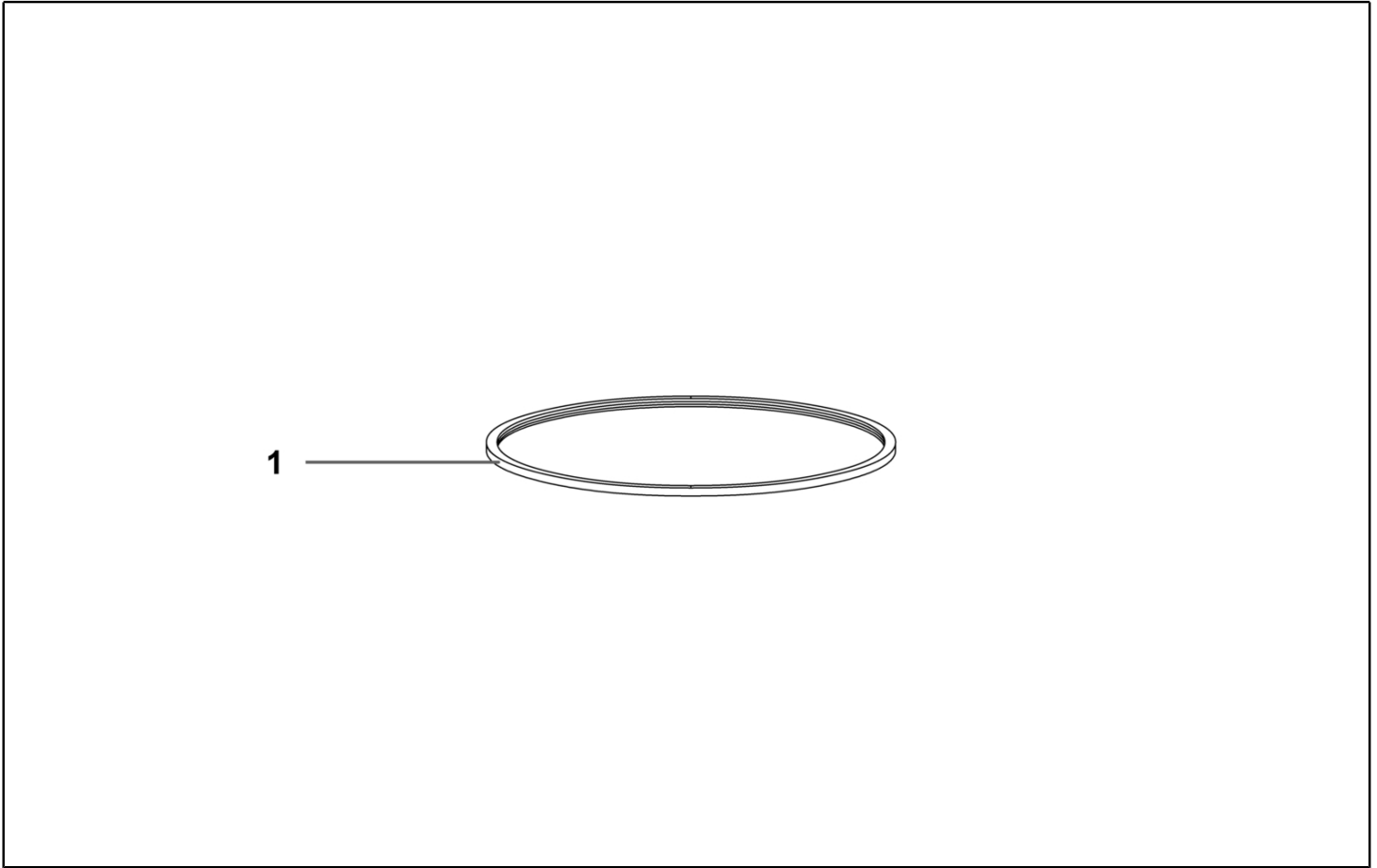
Ref. K	Part n.	Part n. 2	Description	Quantity	Validity		Price
					From	To	
0001	LAFN11466		TANK INFERIORE 600 OPT C/BOCC	1,00			--
0002	LAFN10196		LEVER AGGANCIIO FUSTO OPTIM400/6	1,00			--
0003	LAFN09498		SPACER D.9,9X6,2X5 ZN	2,00			--
0004	VTVT01277		SCREW TTQDE M 8X50 UNI 5732	2,00			--
0005	VTVT01278		SCREW M6X20 TSPEI UNI5933 ZC	2,00			--
0006	VTRS00423		WASHER GREMBIALINA M10X40 UNI659	2,00			--
0007	RCDS00090		PIN GUIDE HOOKING TANK	2,00			--
0008	LAFN08768		PIN LEVERAGGIO	2,00			--
0009	VTDD00225		SELF-LOCJ.NUT M 8 SMALL UNI 7474	2,00			--
0010	CUVR31861		BEARING 26X10X8	2,00			--
0011	VTRS00400		WASHER M 6 UNI 6592	2,00			--
0012	VTDD00230		SELF-LOCJ.NUT M 6 SMALL UNI 7474	2,00			--
0013	VTRS00409		TOOTHED WASHER M12 UNI 8842	3,00			--
0014	MPVR09181		BLACK INLET 99/60	1,00			--
0015	VTVT72055		SCREW PFU TMT PHL 5X25 ZN BLACK	4,00			--
0016	VTDD00245		NUT M 12 UNI 5588	3,00			--
0017	RTRT00453		WHEEL D.60 PIVOT GOMMA M12X25	3,00			--
0018	MPVR06894		CRANKCASE	3,00			--
0019	MPVR09191		BAFFLE 99/60 CONDUCTIVE	1,00			--
0020	MPVR08670		GASKET R 205 CONDUCTIVE	1,00			--



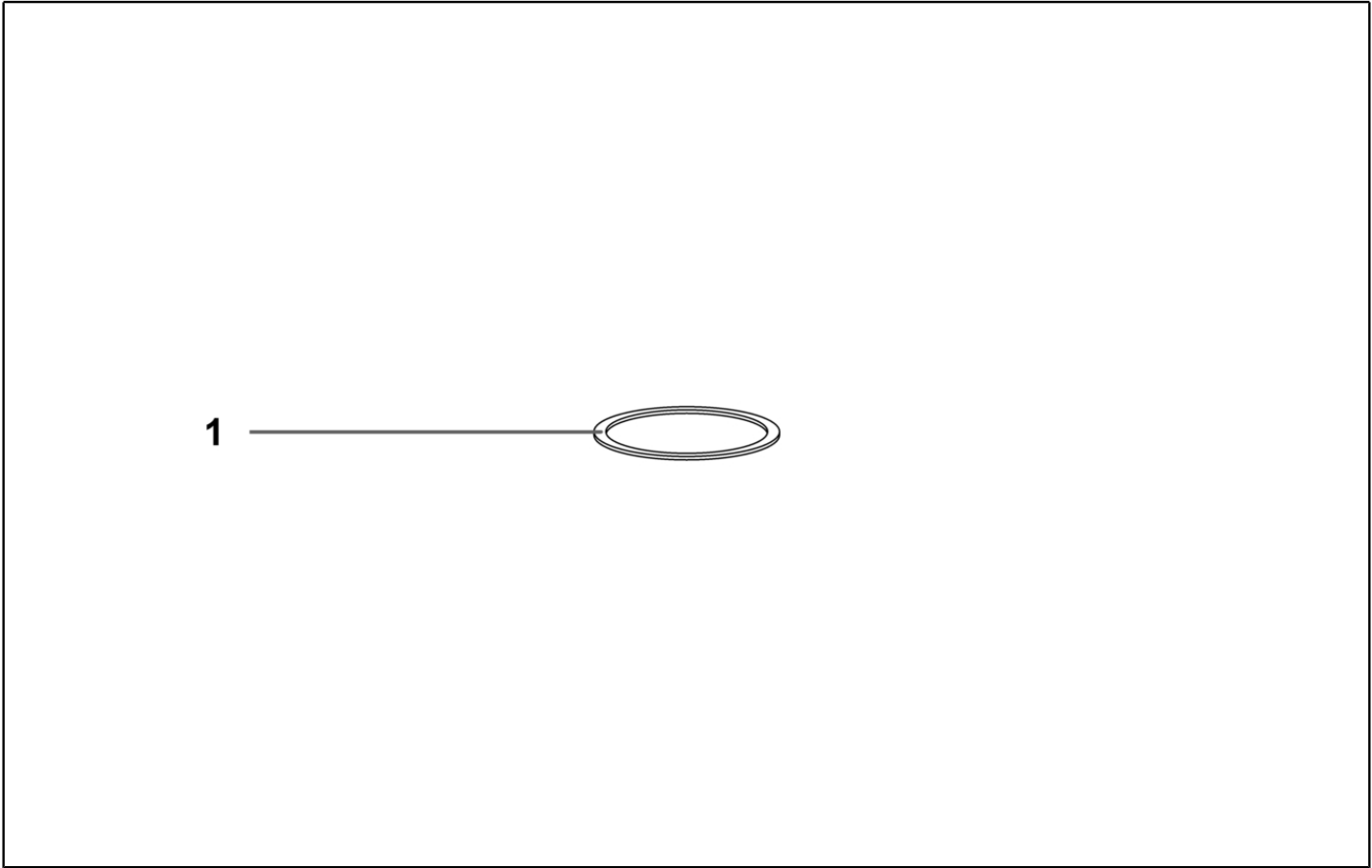
Ref. K	Part n.	Part n. 2	Description	Quantity	Validity		Price
					From	To	
0001	MPVR37739		CONVEYOR 600 MAMMUT-TITAN	1,00			--
0002	GUVR37740		GASKET MIR. D.600 L=1200	1,00			--



Ref. K	Part n.	Part n. 2	Description	Quantity	Validity		Price
					From	To	
0001	LAFN10812		FRAME OPTIM 600 SMALL	1,00		16/11/2020	--
0001	LAFN11453		FRAME OPTIM 600 SMALL VERNIC.	1,00	17/11/2020		--
0002	RTRT00455		WHEEL DIA.150 M12X35	2,00			--
0003	VTRS00394		WASHER M 12 UNI 6592	2,00			--
0004	VTDD72060		LOW SELF-LOCKING NUT M 12	2,00			--
0005	RTRT00480		WHEEL PU DIA.245X50	2,00			--
0006	VTVT01414		SCREW TE M12X75 UNI 5737 8.8 Z	2,00			--
0007	PVVR00381		SPACER RUOTA D.245 OPT SMALL	2,00			--
0008	VTRS00394		WASHER M 12 UNI 6592	4,00			--
0009	VTDD72060		LOW SELF-LOCKING NUT M 12	2,00			--
0010	MPVR06895		PLASTIC TOP 40X40	2,00			--
0011	VTVT01019		SCREW TE M 6X16 UNI 5739	4,00			--
0012	VTDD00222		NUT M 6 UNI 5588	4,00			--
0013	VTRS00400		WASHER M 6 UNI 6592	8,00			--
0014	LAFN08765		HOOKING DX FUSTO INF.	1,00			--
0015	LAFN08766		HOOKING SX FUSTO INF.	1,00			--



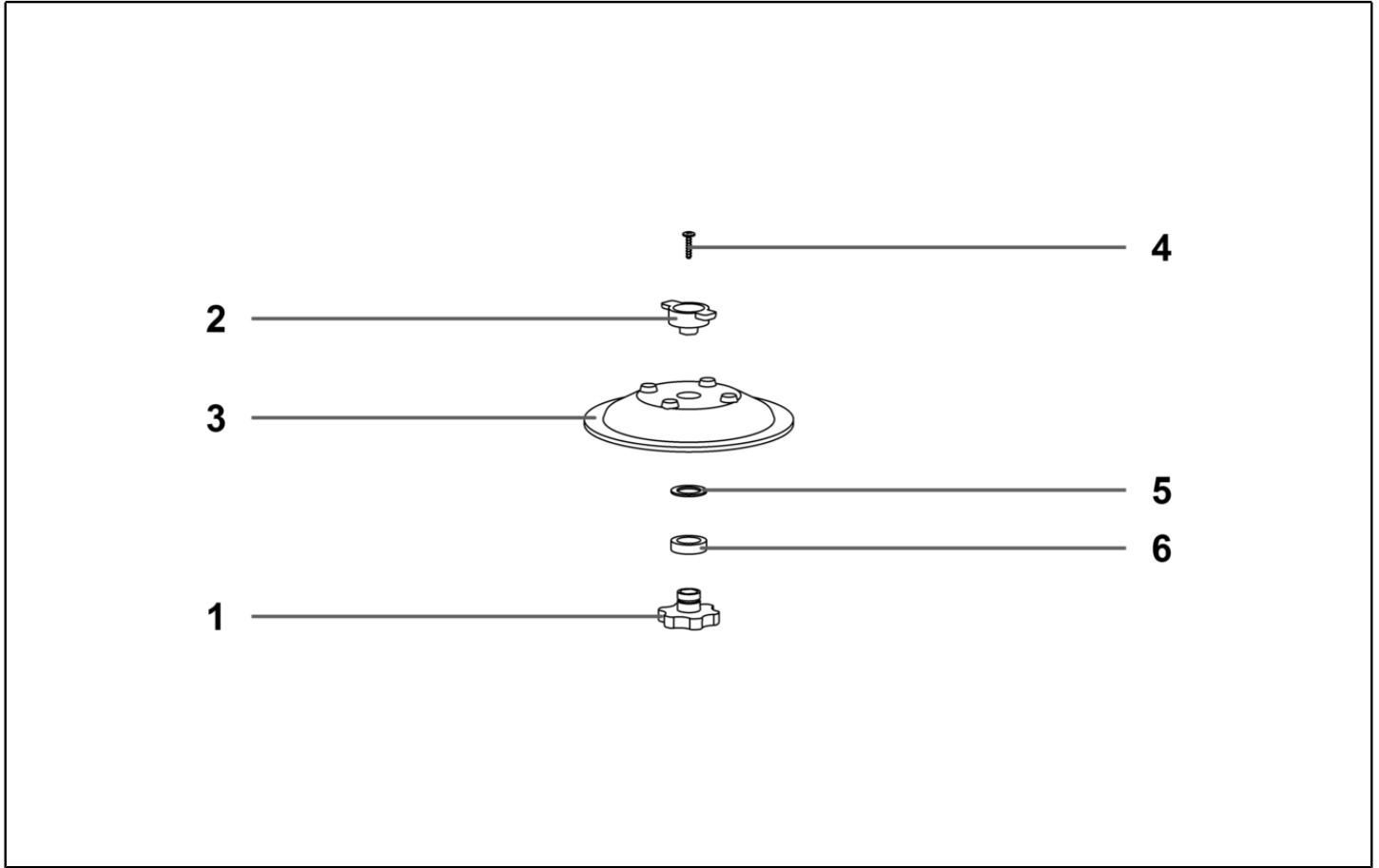
Ref. K	Part n.	Part n. 2	Description	Quantity	Validity		Price
					From	To	
0001	GUVR40021		CONVEYOR GASKET 600 A	1,20			--
0001	GUVR40021		CONVEYOR GASKET 600 A	1,20			--



Ref. K	Part n.	Part n. 2	Description	Quantity	Validity		Price
					From	To	
0001	GUVR40078		GASKET H3 DS50 W/ANTIFOAM BODY	1,00			--
0001	GUVR40078		GASKET H3 DS50 W/ANTIFOAM BODY	1,00			--



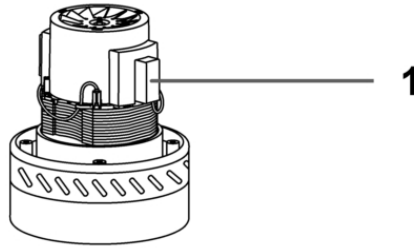
Ref. K	Part n.	Part n. 2	Description	Quantity	Validity		Price
					From	To	
0001	VTVT36751		SCREW SCREW PAT TMT PHL 5X25	1,00			--
0001	VTVT36751		SCREW SCREW PAT TMT PHL 5X25	1,00			--



Ref. K	Part n.	Part n. 2	Description	Quantity	Validity		Price
					From	To	
0001	MPVR07254		KNOB RAPID ATTACK	1,00			--
0002	MPVR07253		HOOKING RAPID ATTACK	1,00			--
0003	MPVR06630		DISC FILTER SUPPORT	1,00			--
0004	VTVT71961		SCREW PFU TMT PHL 5X20 ZN NERA	1,00			--
0005	VTRS00418		WASHER P.P. 30X20X1,5	1,00			--
0006	VTRS00419		WASHER SPONGE RUBBER 30X20X8	1,00			--



Ref. K	Part n.	Part n. 2	Description	Quantity	Validity		Price
					From	To	
0001	LAFN88792		DUMPING BASE BELT DRIVER M8 H=20	1,00			--
0001	LAFN88792		DUMPING BASE BELT DRIVER M8 H=20	1,00			--



Ref. K	Part n.	Part n. 2	Description	Quantity	Validity		Price
					From	To	
0001	MOMO00354		MOTOR BD302 1000W 220-240 50/60	1,00			--
0001	MOMO00354		MOTOR BD302 1000W 220-240 50/60	1,00			--