



ENGINE DRIVEN WELDER MAGIC WELD 150

The images are for reference

WELDING PROCESS



Shielded Metal Arc welding SMAW (STICK)



FEATURES

- Arc welding source in D.C. welding
- High frequency control of welding current and voltage
- Engine shut down for low oil level (oil alert)
- **Power optimiser** (patent pending)
- Auto Idle
- Portable

DEFINITIONS

SMAW: Coated electrode welding is an arc welding with protected metal.

GMAW: welding is an arc process with metal under gas protection.

FCAW (FLUX CORED): The process with cored wires is very similar to MIG / MAG welding. Continuous wire is not full but consists in a metal strip that wraps a powders core (flow).

GTAW: is a welding process that uses a tungsten electrode that cannot melt.



air cooled



petrol



manual recoil

ENGINE 4000 RPM

4 STROKE, OHV, NATURAL ASPIRATED

Model	HONDA - GX 200	MOSA M 225
* Stand-By net power	4.3 kWm (5.8 hp)	4.5 kWm
* PRP net power	3.7 kWm (5 hp)	3.9 kWm
* COP net power	/	/
Cylinders / Displacement	1 / 196 cm ³ (0.196 lt.)	1 / 223 cm ³ (0.223 lt.)
Bore / Stroke	68 / 54 (mm)	70 / 58 (mm)
Compression ratio	8.5 : 1	8.7 : 1
BMEP (Brake Mean Effective Pressure : LTP - PRP)	/	/
Speed governor type	Mechanical	
FUEL CONSUMPTION		2.2 lt./h
110 % (Stand-by power)	2 lt./h	1.9 lt./h
100 % to PRP	1.7 lt./h	1.4 lt./h
75 % to PRP	1.3 lt./h	1 lt./h
50 % to PRP	0.9 lt./h	/
COOLING SYSTEM		/
Total system cap. - only engine	/	/
Fan air flow	/	/
LUBRICATION SYSTEM		/
Total oil system capacity	/	0.55 lt.
Oil capacity in sump	0.6 lt.	/
Oil consumption at full load	/	/

* Output powers according to ISO 3046-1

EXHAUST SYSTEM		/
Maximum exhaust gas flow	/	/
Max. exhaust gas temp.	/	/
Maximum back pressure	/	/
External diameter exhaust pipe	/	/
ELECTRICAL SYSTEM	/	/
Starter motor power	/	/
Battery charging alternator cap.	/	/
Cold start	/	/
With cold start aid	/	/
AIR FILTER		Dry
Combustion air flow	/	/
HEAT REJECTED AT FULL LOAD		
To exhaust system	/	/
To water and oil	/	/
Radiated to room	/	/
To charge cooler	/	/



CHARACTERISTICS OF WELDING AND GENERATION

MAGIC WELD 150

D.C. WELDING

CONSTANT CURRENT

Current range	150A / 20V 130A / 25.2V (IEC Rating)
Type of regulation	continua 20A / 20.8V - 150A / 20V
Duty cycle	130A / 25,2V @ 60% (IEC Rating) 100A / 24V @ 100% (IEC Rating)
Open circuit voltage	67 Vcc (Vcc di picco)
Arc force control	No

GENERAL SPECIFICATIONS

Fuel tank capacity	3.1 l
Fuel consumption (welding 60%)	1.25 l/h
Running time (welding 60%)	2.5 h
Starter battery	/

IP protection degree	IP 23
* Acoustic power LwA (pressure LpA)	99 dB(A) (74 dB(A) @ 7 m)
Max. Ambient temperature	40 °C

* Only for fixed installation in the EU market.

CONTROL PANEL

- Manual recoil
- Motor switch ON-OFF
- Air control
- Welding current adjustment knob
- Soldering sockets

WEIGHT - DIMENSIONS ACCESSORIES

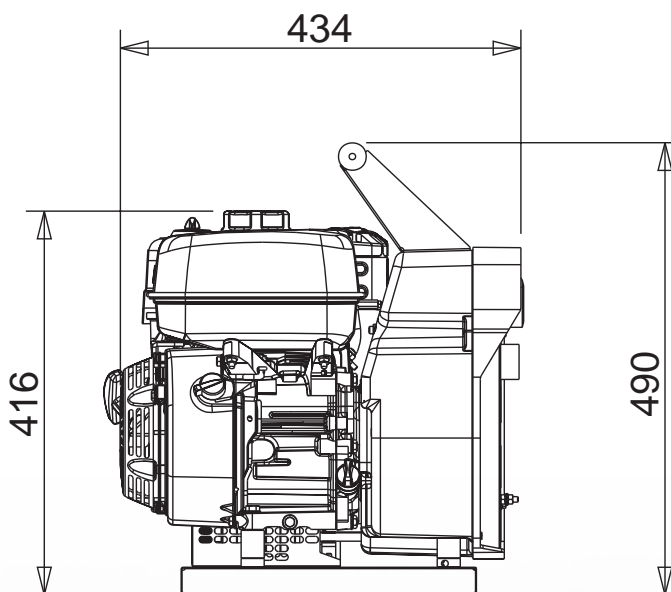
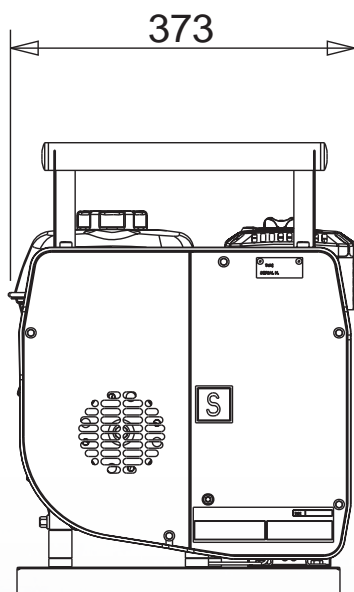


DRY WEIGHT:
• 34 Kg

The welding machine pictured may include optional accessories.



DIMENSION PICTURE (mm)



OPTIONS ON REQUEST

- Welding kit (mask, gloves, etc.)
- Welding cables: K185 (4.5+3m, 35mm²)
K190 (10+8m, 35mm²)
K 200 (20+15m, 35mm²)
- Welding parallel cables K2x150 (35mm²)
- Manual trolley CTM-MW



AVAILABLE VERSIONS

COCN5050	HONDA GX200 (4000 rpm)
COCV1050	MOSA M225 (4000 rpm)

GENERAL INFORMATION

Not compliant with directive 2000/14/EC Acoustic Emission for machines intended to operate outdoors.



ISO 9001:2015 - Cert. 0192
WARRANTY

All devices are covered by the manufacturer's warranty.

Non-contractual document. Specification subject to change without notice.

© MOSA - Viale Europa, 59 - 20090 Cusago (Milano) - Italy - phone +39-0290352.1 - fax + 39-0290390466 E-mail: info@mosa.it Web site: www.mosa.it

