



GENERATING SET GE S-7000 BBM

The images are for reference



FEATURES

- Manual recoil (AA)
- Engine shut down for low oil level (oil alert)
- Sockets: 1x230V 32A 2P+T CEE
1x230V 16A 2P+T CEE
1x230V 16A 2P+T Schuko
- Circuit breaker
- Fuel level gauge
- Protective frame and partially covered
- Portable
- AVR version **on request** (standard for AE version)
- Ready for connection to automatic transfer unit EAS (AE)
- Meets EC directives for safety



air cooled



petrol



single phase



manual recoil



electric starter



silenced

4 STROKE OHV, NATURAL ASPIRATED

	WITHOUT AVR	WITH AVR
* Stand-By single-phase power (LTP)	6.7 kVA (6 kW) 230V / 29.1A 6.7 kVA (6 kW) 115V / 58.2A	7.2 kVA (6.5 kW) 230V / 31.3A -
* PRP single-phase power	5.5 kVA (5 kW) 230V / 23.9A 5.5 kVA (5 kW) 115V / 47.8A	6 kVA (5.4 kW) 230V / 26A -
* COP single-phase power	/	
Frequency	50 Hz	
Cos φ	0.9	

* Output powers according to ISO 8528-1

ENGINE 3000 RPM

4 STROKE OHV, NATURAL ASPIRATED

Model	B&S - XR2100
* Stand-By net power	8.15 kWm (11 hp)
* PRP net power	7.3 kWm (10 hp)
* COP net power	/
Cylinders / Displacement	1 / 420 cm ³ (0.42 lt.)
Bore / Stroke	90 / 66 (mm)
Compression ratio	/
BMEP (Brake Mean Effective Pressure : LTP - PRP)	/
Speed governor type	Mechanical
FUEL CONSUMPTION	
110 % (Stand-by power)	4 lt./h
100 % to PRP	3.6 lt./h
75 % to PRP	2.7 lt./h
50 % to PRP	1.8 lt./h
COOLING SYSTEM	
Total system cap. - only engine	/
Fan air flow	/
LUBRICATION SYSTEM	
Total oil system capacity	/
Oil capacity in sump	1.1 lt.
Oil consumption at full load	/

DEFINITION

Valid declared powers up to the followings environmental conditions: temperature 25°C, altitude 100 meters above sea level)

LTP power: stand-by power: Maximum available power for use with variable loads for a yearly number of hours limited at 500 h. No overload is admitted.

PRP power: continue power with variable loads. Maximum power for use with variable loads for a yearly illimited nubers of hours.

COP power: continuous power with constant load. Maximum power for use with constant loads for a yearly unlimited numbers of hours.

EXHAUST SYSTEM

Maximum exhaust gas flow	/
Max. exhaust gas temp.	/
Maximum back pressure	/
External diameter exhaust pipe	/
ELECTRICAL SYSTEM	
Starter motor power	/
Battery charging alternator cap.	/
Cold start	/
With cold start aid	/
AIR FILTER	Dry
Combustion air flow	/
HEAT REJECTED AT FULL LOAD	
To exhaust system	/
To water and oil	/
Radiated to room	/
To charge cooler	/

ALTERNATOR

SYNCHRONOUS, SINGLE-PHASE, SELF-EXCITED, SELF-REGULATED, BRUSHLESS (WITHOUT AVR)		
SYNCHRONOUS, SINGLE-PHASE, SELF-EXCITED, SELF-REGULATED (WITH AVR)		
	WITHOUT AVR	WITH AVR
Continuous power	6 kVA	7 kVA
Stand-by power	6.6 kVA	7.7 kVA
Three phase voltage	230 Vac	
Frequency	50 Hz	
Cos φ	1	
Model A.V.R.	/	HVR10
Voltage regulation acc.	± 5 %	± 2 %
Sustained short circuit current	3 In	
Transient dip (100% load)	< 15 %	10 %
Recovery time	/	
Efficiency at 100% load	77.5% (230V - Cosφ 1)	79 % (230V - Cos φ 1)
Insulation	Classe H	
Connection - Terminals	Serie - N°4	
Electromagnetic compatibility (R.F.I. suppr.)	EN55011	
Waveform distortion - THD	< 6 %	< 5 %
Telephone interference - THF	/	

REACTANCES (6 KVA - 230 V)		
REACTANCES AVR (7 KVA - 230/115 V)		
Direct axis synchronous - Xd	/	
Direct axis transient - X'd	/	
Subdirect axis transient - X''d	/	
Quadrature axis synchronous - Xq	/	
Quadr. axis subtransient - X''q	/	
Negative sequence - X2	/	
Zero sequence - X0	/	
TIME CONSTANTS		
Transient - T'd	/	
Subtransient - T''d	/	
Open circuit - T'do	/	
Armature - Ta	/	
Short-circuit ratio Kcc	/	
IP protection degree	IP 23	
Cooling air flow	0.06/ m³/sec	0.583/ m³/sec
Coupling Bearing	Direct J609b - N°1	

GENERAL SPECIFICATIONS

Fuel tank capacity	20 lt.
Running time (75% to PRP)	7.5 h
Starter battery	12 Vdc -18Ah (AE)
IP protection degree	IP 23

Acoustic power LwA (pressure LpA)	99 dB(A) (74 dB(A) @ 7m)
Performance class (ISO 8528)	G2

CONTROL PANEL

- Engine switch ON - OFF (AA)
- Local-Remote Start (AE) switch
- EAS connector (AE)
- Start and stop engine key (AE)
- Choke
- Fuel valve
- Fuel level gouge
- Digital multifunction meter: Voltmeter - Frequncymeter -Total Hoursmeter - Partial Hoursmeter (resettable)
- Circuit breaker
- Output sockets: 1x230V 32A 2P+T CEE
1x230V 16A 2P+T CEE
1x230V 16A 2P+T Schuko
- Thermal circuit breakers for 230V/16A sockets: 2 x 16A
- Earth terminal (PE)

CONTROL PANEL 230/115V

- Motor switch ON - OFF (AA)
- Local-Remote Start (AE) switch
- EAS connector (AE)
- Air control
- Fuel tap
- Fuel level indicator
- Multifunction digital instrument: Voltmeter - Frequency meter - Total hour meter - Partial hour meter (resettable)
- Circuit breaker
- ELCB-GFI (Ground Fault Interruptor)
- Output sockets: 1x230V 32A 2P + T CEE
1x115V 32A 2P + T CEE
1x115V 16A 2P + T CEE
- Thermal breakers for socket protection: 1x30A - 1x16A
- Voltage switch: 230 / 115V
- Earth terminal (PE)



WEIGHT - DIMENSIONS AND ACCESSORIES

GE S-7000 BBM



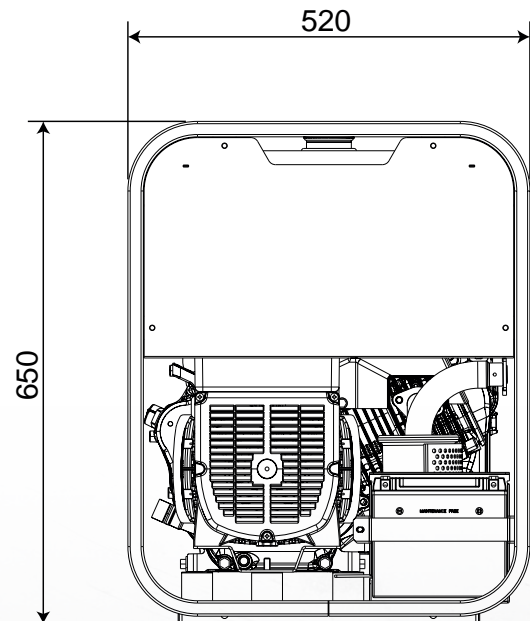
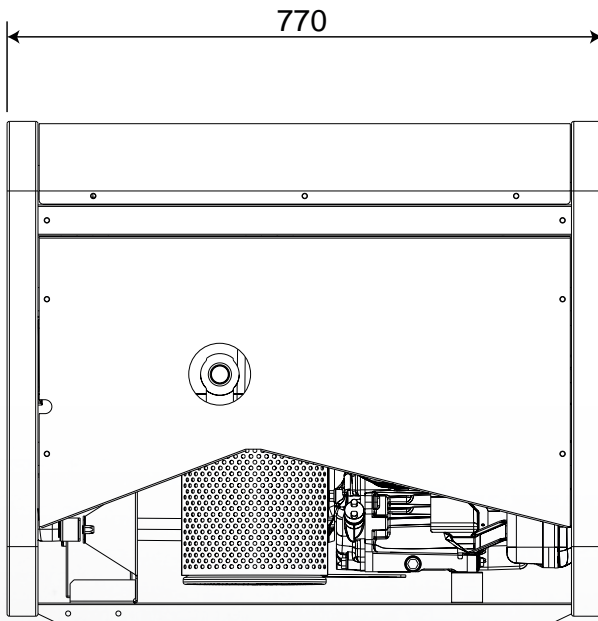
DRY WEIGHT MACHINE:

- 94 Kg (AA)
- 98 Kg (AVR - AA)
- 104 Kg (AE)
- 108 Kg (AVR - AE)

Generating set pictured may include optional accessories.



DIMENSIONS DRAW (mm)



OPTIONS ON REQUEST

- Automatic transfer unit (AMF) EAS 15 - 806 (AE)
- Earthing kit
- Moving trolley CM8

VERSIONS ON REQUEST

- AVR version
- Electric Start Version (AE)
- 230 / 115V version
(only for AA version - not compatible with AVR)

FACTORY INSTALLATION OPTIONS

- ELCB-GFI (Ground Fault Interruptor)
- Isometer

GENERAL INFORMATION

COMPLIANCE GENERATING SETS WITH EC DIRECTIVES AND STANDARDS

- 2006/42 / EC (Machines Directive)
- 2014/35 / EU (Low Voltage Directive)
- 2014/30 / EU (EMC Directive)
- 2000/14 / EC (Directive Acoustic Emission for machines for use outdoors)
- ISO 8528 (Reciprocating internal combustion engine driven alternating current generating sets)



ISO 9001:2015 - Cert. 0192

WARRANTY

All devices are covered by the manufacturer's warranty.

The company reserves the right to change this specification without notice. For further information please contact the sales department.

© MOSA - Viale Europa, 59 - 20090 Cusago (Milano) - Italy - phone +39-0290352.1 - fax + 39-0290390466 E-mail: info@mosa.it Web site: www.mosa.it

