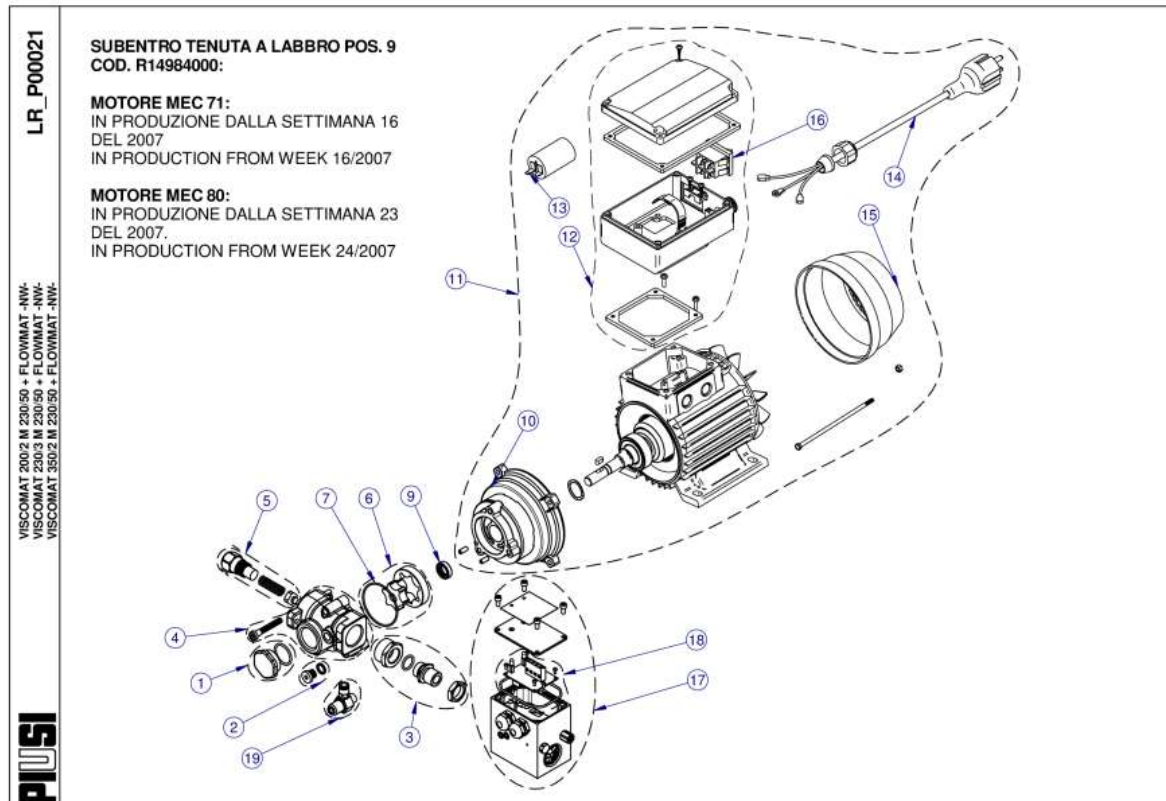


F0030204D

VISCOMAT 230/3 M 230 50/60 + FLOWMAT-NW-*



Spare part

- | | |
|----------------------|--|
| 1. R13851000 | GROUP PLUG 1G + GASKET* |
| 2. R13852000 | KIT PLUG 1/4G + WASHER* |
| 3. R13863000 | KIT CONNECTION PUMP/FLOWMAT* |
| 4. R13853000 | KIT HEAD GEAR PUMP 350/2- 200/2-230/3* |
| 5. R13864000 | KIT ADJUSTING BY-PASS VALVE* |
| 6. R13858000 | KIT ROTOR VISCOMAT 230/3* |
| 7. R10273000 | GASKET O-RING (d.60,05 sp.1,78) 70 SH* |
| 9. R14984000 | SEAL BABSLS 14x24x7/7,5 72 NBR 902* |
| 11. R1386100D | GROUP MOTOR VISC 230/50 -350/2 230/3-* |
| 12. R0819600A | KIT TERMINAL BOX 1HP 230V / 50Hz* |
| 13. R12987000 | CONDENSER 40 microF* |
| 14. F1290900A | SUPPLY CABLE WITH PLUG* |
| 15. R08182000 | KIT FAN COVER MOTOR MEC 80* |
| 16. R16657000 | BIPOLAR SWITCH 16A 250V* |
| 17. R0030004A | PRESSURE SWITCH ADJ. 230V/50Hz 16bar* |
| 18. R13867000 | ELECTRONIC BOARD FLOWMAT 230V/50Hz* |
| 19. R1127400A | KIT PRIMING DEVICE G1/4in* |
| 10. R22714000 | KIT ASSEMBLING MEC80 230/3* |