

*Manuale d'uso e manutenzione  
Instruction and maintenance manual  
Manuel d'utilisation et d'entretien  
Betriebs- und Bedienungshandbuch  
Manual de uso y mantenimiento  
Instructie- en onderhoudshandleiding  
Brugsanvisning brug og vedligeholdelse*

# **GHIBLI 2,2 - 5,5**



*TRANSLATION OF THE ORIGINAL INSTRUCTIONS*



# DECLARATION OF CONFORMITY

The following declaration is attached to the compressor in original copy.  
All identification data: manufacturer, model, code and serial number are stamped on EC label.  
For any request for copies it is ESSENTIAL to provide ALL the data stamped on EC label.

IT	Dichiara sotto la sua esclusiva responsabilità, che il compressore d'aria qui di seguito descritto è conforme a tutte le disposizioni pertinenti delle seguenti direttive comunitarie: 2006/42/CE, 2014/30/UE Sono state applicate le seguenti norme armonizzate nell'ultima versione pubblicata sulla Gazzetta Ufficiale Europea: EN 1012-1, EN 60204-1, EN 61000-6-3, EN 61000-6-4
GB	Declares under its sole responsibility that the air compressor described below complies with all relevant regulations of the following EU directives: 2006/42/EC, 2014/30/EU The following harmonised standards have been applied in the latest version published on the Official Journal of the European Union: EN 1012-1, EN 60204-1, EN 61000-6-3, EN 61000-6-4
FR	Déclare sous son entière responsabilité que le compresseur d'air décrit ci-après est conforme à toutes les dispositions pertinentes des directives communautaires suivantes: 2006/42/CE, 2014/30/UE Les normes suivantes harmonisées dans la dernière version publiée au Journal Officiel de l'Union Européenne ont été appliquées: EN 1012-1, EN 60204-1, EN 61000-6-3, EN 61000-6-4
DE	Erklärt unter ihrer alleinigen Verantwortung, dass der in Folge beschriebene Luftkompressor allen einschlägigen Bestimmungen der folgenden EU-Richtlinien entspricht: 2006/42/EG, 2014/30/EU Die folgenden Harmonisierten Normen wurden in der jüngsten im Amtsblatt der Europäischen Union veröffentlichten Version angewendet: EN 1012-1, EN 60204-1, EN 61000-6-3, EN 61000-6-4
ES	Declara, bajo su exclusiva responsabilidad, que el compresor de aire descrito a continuación responde a todas las disposiciones pertinentes de las siguientes directivas comunitarias: 2006/42/CE, 2014/30/UE Se han aplicado las siguientes normas armonizadas en la última versión publicada en el Diario Oficial de la Unión Europea: EN 1012-1, EN 60204-1, EN 61000-6-3, EN 61000-6-4
PT	Declara sob a sua exclusiva responsabilidade que o compressor de ar descrito a seguir está em conformidade com todas as normas relevantes das seguintes diretivas da UE: 2006/42/CE, 2014/30/UE As seguintes normas harmonizadas foram aplicadas na última versão publicada no Jornal Oficial da União Europeia: EN 1012-1, EN 60204-1, EN 61000-6-3, EN 61000-6-4
NL	Verklaart onder zijneigen verantwoordelijkheid dat de hieronder beschreven persluchtcompressor voldoet aan alle voorschriften van de volgende EG-richtlijnen: 2006/42/EG, 2014/30/EU De volgende geharmoniseerde standaards zijn toegepast in de laatste versie gepubliceerd in het Publicatieblad van de Europese Unie: EN 1012-1, EN 60204-1, EN 61000-6-3, EN 61000-6-4
DK	Erklærer under eget ansvar, at luftkompressoren, der beskrives nedenfor, er i overensstemmelse med alle relevante forordninger fra de følgende EU-direktiver: 2006/42/EC, 2014/30/EU De følgende harmoniserede standarder gør sig gældende for den seneste version, som er offentliggjort i De Europæiske Fællesskabers Tidende: EN 1012-1, EN 60204-1, EN 61000-6-3, EN 61000-6-4
SE	Försäkrar under eget ansvar att den luftkompressor som beskrivs nedan överensstämmer med alla tillhörande föreskrifter i följande EG-direktiv: 2006/42/EG, 2014/30/EU Följande harmoniserade standarder har tillämpats i den senaste versionen, som publicerats i den Europeiska unionens officiella tidning: EN 1012-1, EN 60204-1, EN 61000-6-3, EN 61000-6-4
FI	Vakuuttaa omalla vastuullaan, että seuraavassa esitellyt ilmakompressorit vastaa kaikkia seuraavien Euroopan direktiivien vaatimuksia: 2006/42/EY, 2014/30/EU Seuraavia harmonisoituja normeja, joiden viimeisin versio on julkaistu Euroopan unionin virallisessa lehdessä, on sovellettu: EN 1012-1, EN 60204-1, EN 61000-6-3, EN 61000-6-4
GR	Δηλώνει με αποκλειστική δική της ευθύνη, ότι ο συμπιεστής αέρα που περιγράφεται παρακάτω συμμορφώνεται με όλες τις σχετικές διατάξεις των εξής κοινοτικών οδηγιών: 2006/42/EK, 2014/30/EE Εφαρμόστηκαν οι εξής εναρμονισμένοι κανονισμοί στην τελευταία έκδοση της Επίσημης Εφημερίδας των Ευρωπαϊκών Κοινοτήτων: EN 1012-1, EN 60204-1, EN 61000-6-3, EN 61000-6-4
PL	Oświadczca na swoją wyłączną odpowiedzialność, że opisana poniżej sprężarka spełnia wszystkie stosowne przepisy zawarte w następujących dyrektywach Unii Europejskiej: 2006/42/EC, 2014/30/UE Następujące ujednolicone normy mają zastosowanie w najbardziej aktualnej wersji opublikowanej w Dzienniku Urzędowym Unii Europejskiej: EN 1012-1, EN 60204-1, EN 61000-6-3, EN 61000-6-4
HR	Izjavljuje pod vlastitom odgovornošću da dolje opisani kompresor zraka udovoljava svim važećim propisima sljedećih Direktiva EU: 2006/42/EZ, 2014/30/EU Sljedeće usklađene norme primjenjuju se u najnovijoj verziji objavljenoj u Službenom listu Europske unije: EN 1012-1, EN 60204-1, EN 61000-6-3, EN 61000-6-4
SI	Izjavlja pod lastno odgovornostjo, da je v nadaljevanju opisan kompresor za zrak skladen z vsemi določili s področja naslednjih direktiv skupnosti: 2006/42/EU, 2014/30/EU Uveljavljeni so naslednji harmonizirani standardi zadnje verzije, objavljene v Uradnem listu Evropske skupnosti: EN 1012-1, EN 60204-1, EN 61000-6-3, EN 61000-6-4
HU	Kizárólagos felelőssége tudatában kijelenti, hogy a lent megnevezett kompresszor megfelel a következő EU irányelvek vonatkozó rendelkezéseinek: 2006/42/EK, 2014/30/EU Az alábbi harmonizált szabványokat az Európai Unió Hivatalos Lapjában közzétett legutóbbi változatuk szerint alkalmaztuk: EN 1012-1, EN 60204-1, EN 61000-6-3, EN 61000-6-4
CZ	Prohlašuje s plnou odpovědností, že uvedený vzduchový kompresor splňuje všechna příslušná nařízení následujících směrnic EU: 2006/42/ES, 2014/30/EU Použity byly následující harmonizované normy publikované v Úředním věstníku Evropské unie v nejnovějších verzích: EN 1012-1, EN 60204-1, EN 61000-6-3, EN 61000-6-4
SK	Vyhlasuje na vlastnú zodpovednosť, že uvedený vzduchový kompresor spĺňa všetky príslušné nariadenia nasledujúcich smerníc EÚ: 2006/42/ES, 2014/30/EU Boli použité nasledujúce harmonizované normy publikované v Úradnom vestníku Európskej únie v najnovších verziách: EN 1012-1, EN 60204-1, EN 61000-6-3, EN 61000-6-4
RU	Заявляет под свою исключительную ответственность, что воздушный компрессор, описанный ниже, отвечает всем соответствующим положениям следующих европейских директив: 2006/42/EC, 2014/30/EU Следующие гармонизированные стандарты были применены в последней редакции, опубликованной в правительственном вестнике ЕС: EN 1012-1, EN 60204-1, EN 61000-6-3, EN 61000-6-4
NO	Erklærer under eget ansvar at luftkompressoren her beskrevet er i overensstemmelse med alle krav i de følgende EU-forskriftene: 2006/42/EC, 2014/30/EU De følgende harmoniserte standardene er brukt i den siste versjonen trykt i den Den europeiske unions tidende (EUT): EN 1012-1, EN 60204-1, EN 61000-6-3, EN 61000-6-4
TR	Tek sorumluluk kendisinde olmak üzere, aşağıda açıklanan hava kompresörünün, izleyen AB direktiflerinin ilgili tüm yönetmeliklerine uygun olduğunu beyan eder: 2006/42/EC, 2014/30/UE Avrupa Birliği'nin Resmi Gazetesinde yayınlanan son sürümde, aşağıdaki uyumlaştırılmış standartlar uygulanmıştır: EN 1012-1, EN 60204-1, EN 61000-6-3, EN 61000-6-4
RO	Declară pe propria răspundere că compresorul de aer descris în continuare este conform cu toate dispozițiile în materie ale următoarelor directive comunitare: 2006/42/CE, 2014/30/UE Au fost aplicate următoarele standarde armonizate în ultima versiune publicată în Jurnalul Oficial al Uniunii Europene: EN 1012-1, EN 60204-1, EN 61000-6-3, EN 61000-6-4
BG	Декларира на собствена отговорност, че описаният по-долу въздушен компресор отговаря на всички съответни разпоредби на следните директиви на ЕС: 2006/42/EC, 2014/30/EC Следните хармонизирани стандарти са приложени в най-новото издание, публикувано в Официален вестник на Европейския съюз: EN 1012-1, EN 60204-1, EN 61000-6-3, EN 61000-6-4
RS	Izjavljuje pod ličnom odgovornošću da je dole opisan kompresor vazduha u skladu sa svim važećim propisima sledećih Direktiva EU: 2006/42/EZ, 2014/30/EU Sledeće usklađene norme primenjuju se u najnovijoj verziji objavljenoj u Službenom glasniku Evropske unije: EN 1012-1, EN 60204-1, EN 61000-6-3, EN 61000-6-4
LT	Su visa atsakomybe pareiškia, kad žemiau aprašytas oro kompresorius atitinka visus taikomus reglamentus, apibrėžtus šiose ES direktyvose: 2006/42/EB, 2014/30/ES Toliau nurodyti darnieji standartai buvo pritaikyti naujausioje versijoje, publikuotoje Europos Sąjungos oficialiajame leidinyje: EN 1012-1, EN 60204-1, EN 61000-6-3, EN 61000-6-4
EE	Avaldab enda täieliku vastutusega, et järgnevalt kirjeldatud õhukompressor vastab kõigile järgmistele EL-i direktiivide eeskirjadele: 2006/42/EÜ, 2014/30/EL Euroopa Liidu Teatajas avaldatud uusimas versioonis on kohaldatud järgmisi ühtlustatud standardeid: EN 1012-1, EN 60204-1, EN 61000-6-3, EN 61000-6-4
LV	Pilnībā apstiprina, ka tālāk minētais gaisa kompresors atbilst visiem šādu ES direktīvu noteikumiem: 2006/42/EK, 2014/30/ES Jaunākajai versijai, kas publicēta Eiropas Savienības oficiālajā laikrakstā, ir piemēroti šādi vienoti standarti: EN 1012-1, EN 60204-1, EN 61000-6-3, EN 61000-6-4

**INDEX**

DECLARATION OF CONFORMITY .....	2
GENERAL INFORMATION .....	3
OVERALL DIMENSIONS .....	4
SAFETY INDICATIONS.....	13
INSTALLATION .....	15
TECHNICAL FEATURES .....	17
CONTROLS AND SETTINGS.....	18
ALARMS .....	20
OPERATION .....	21
MAINTENANCE .....	22
TROUBLE SHOOTING .....	26
WIRING DIAGRAM.....	27

**OUTFIT**

The following accessories are supplied with the compressor:

- user's guide,
- anti-vibration elements,
- oil/condensate exhaust tube,
- air outlet cock.

Check that the above accessories are available. Once the goods have been delivered and accepted, no complaints are accepted.

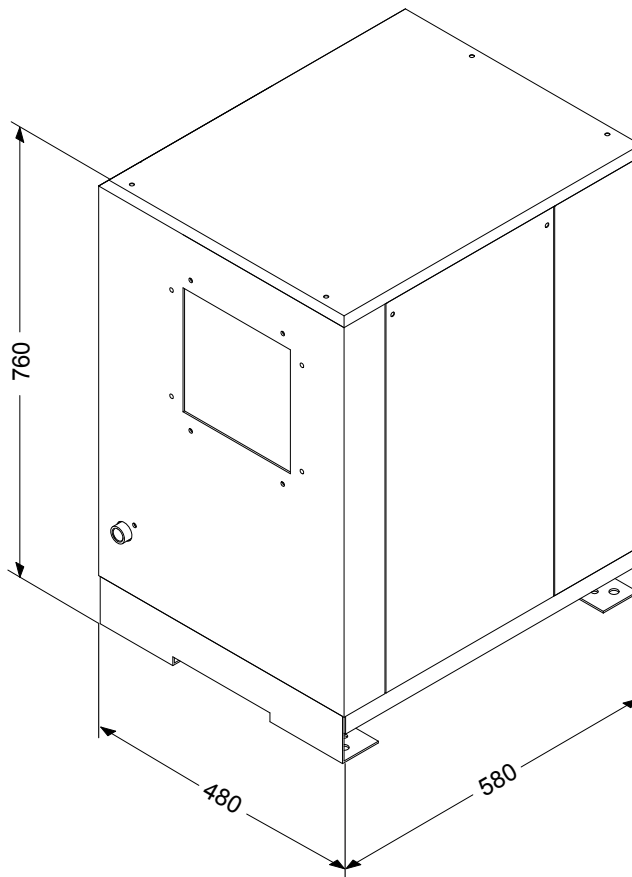
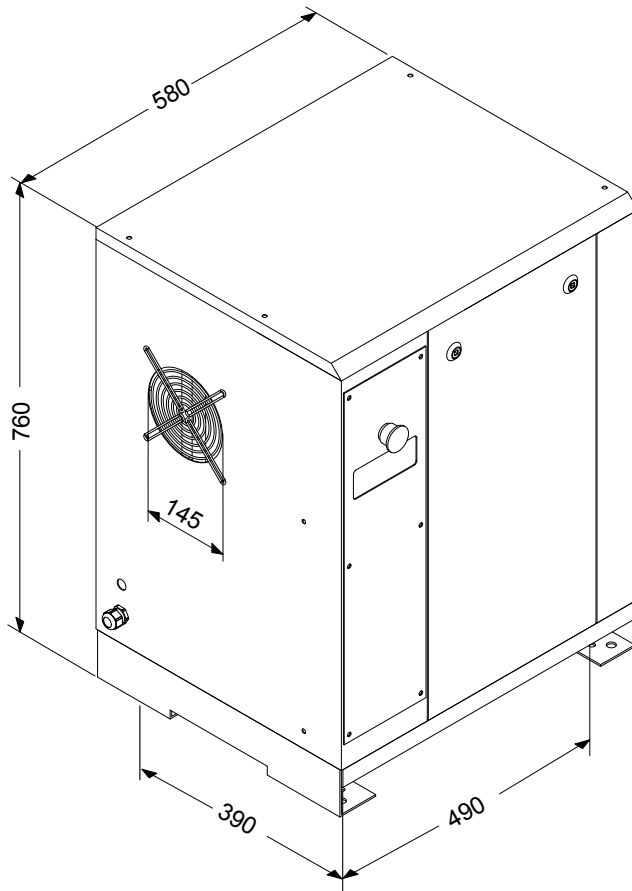
**CONDITION OF THE MACHINE WHEN SUPPLIED**

Every compressor is shop tested and delivered ready to be installed and to be set at work.

The oil for first filling used is: FSN Original Oil.

**OVERALL DIMENSIONS**

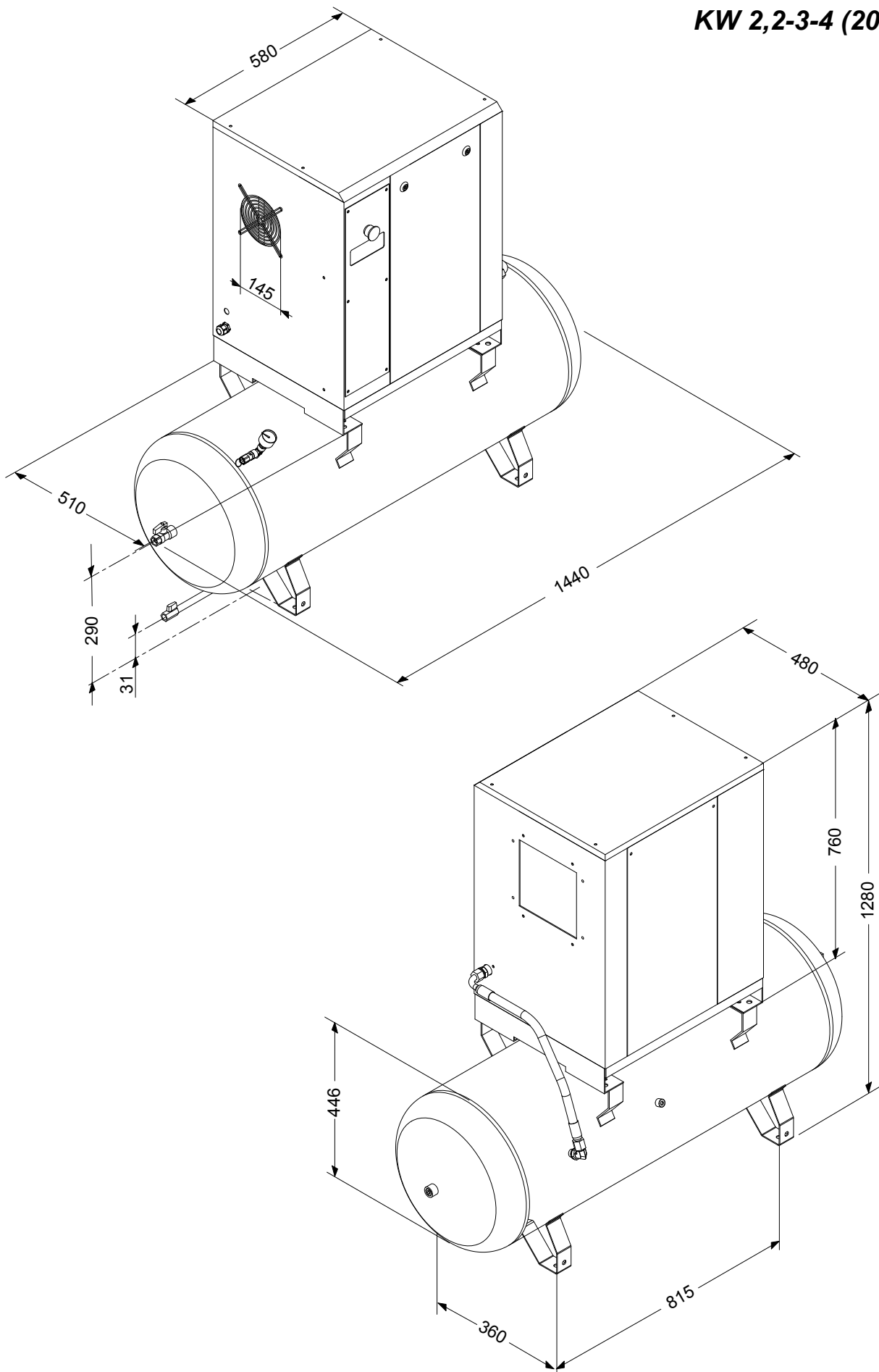
**KW 2,2-3-4**



# OVERALL DIMENSIONS

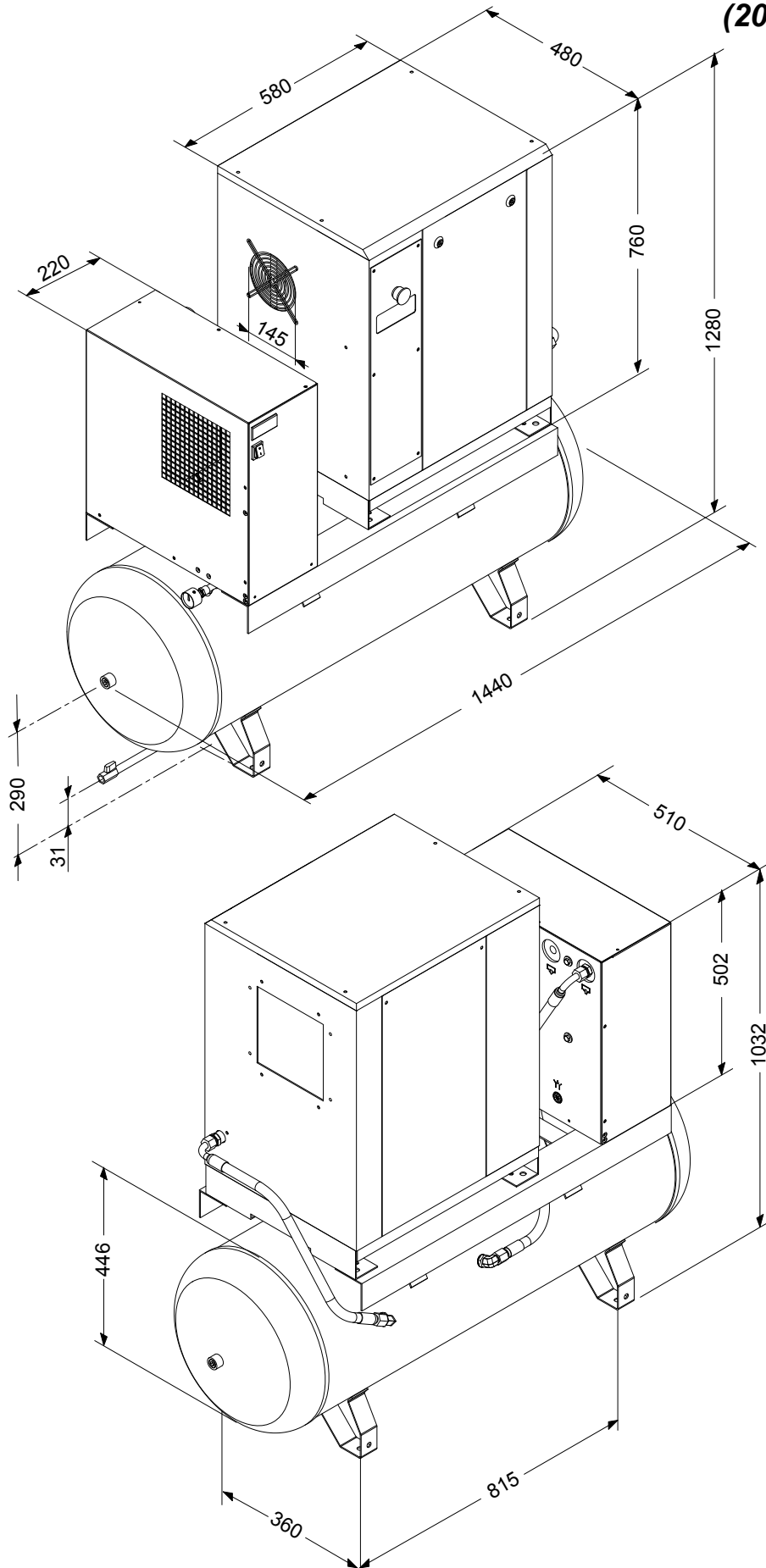
EN

KW 2,2-3-4 (200 l)



## OVERALL DIMENSIONS

**KW 2,2-3-4  
(200 l + dryer)**

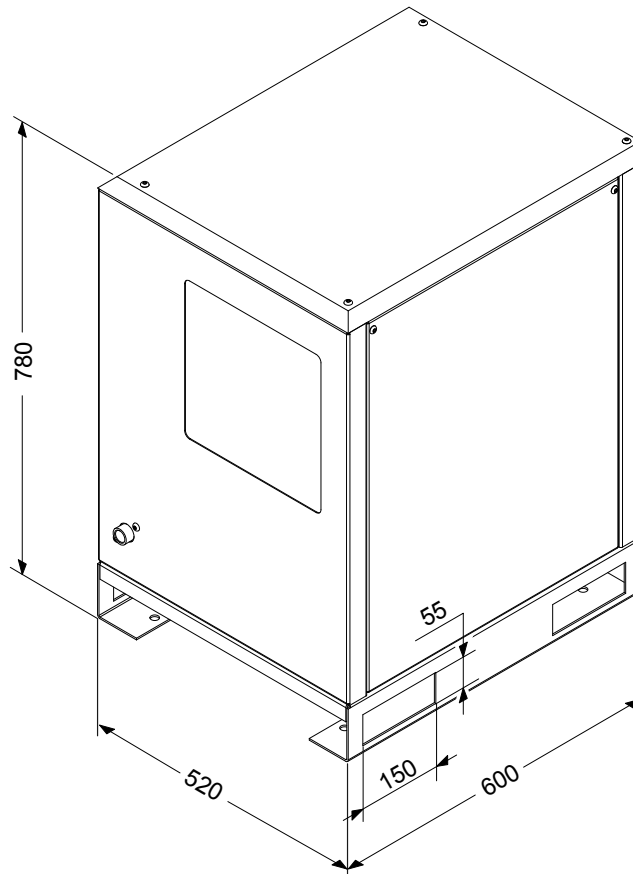
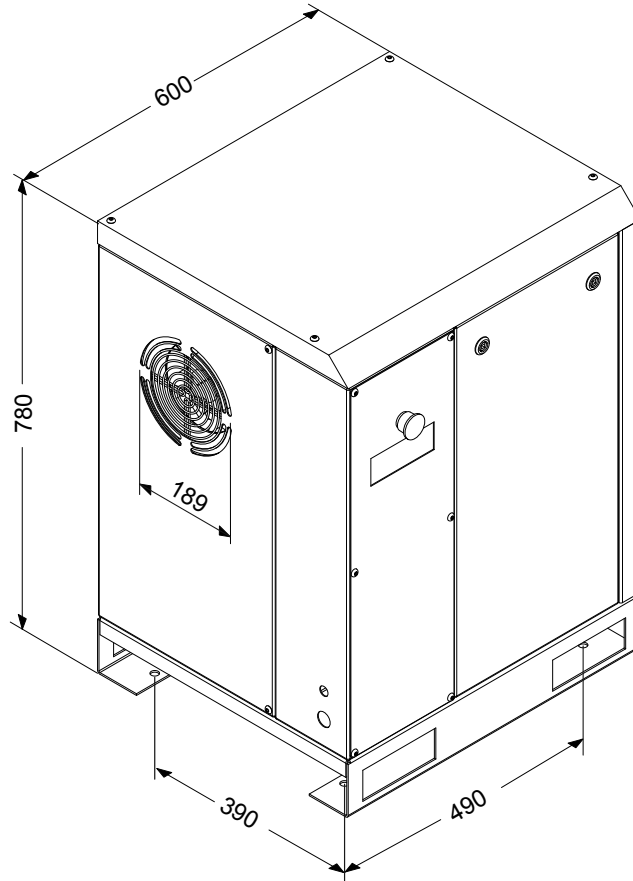


**OVERALL DIMENSIONS**

**EN**

## OVERALL DIMENSIONS

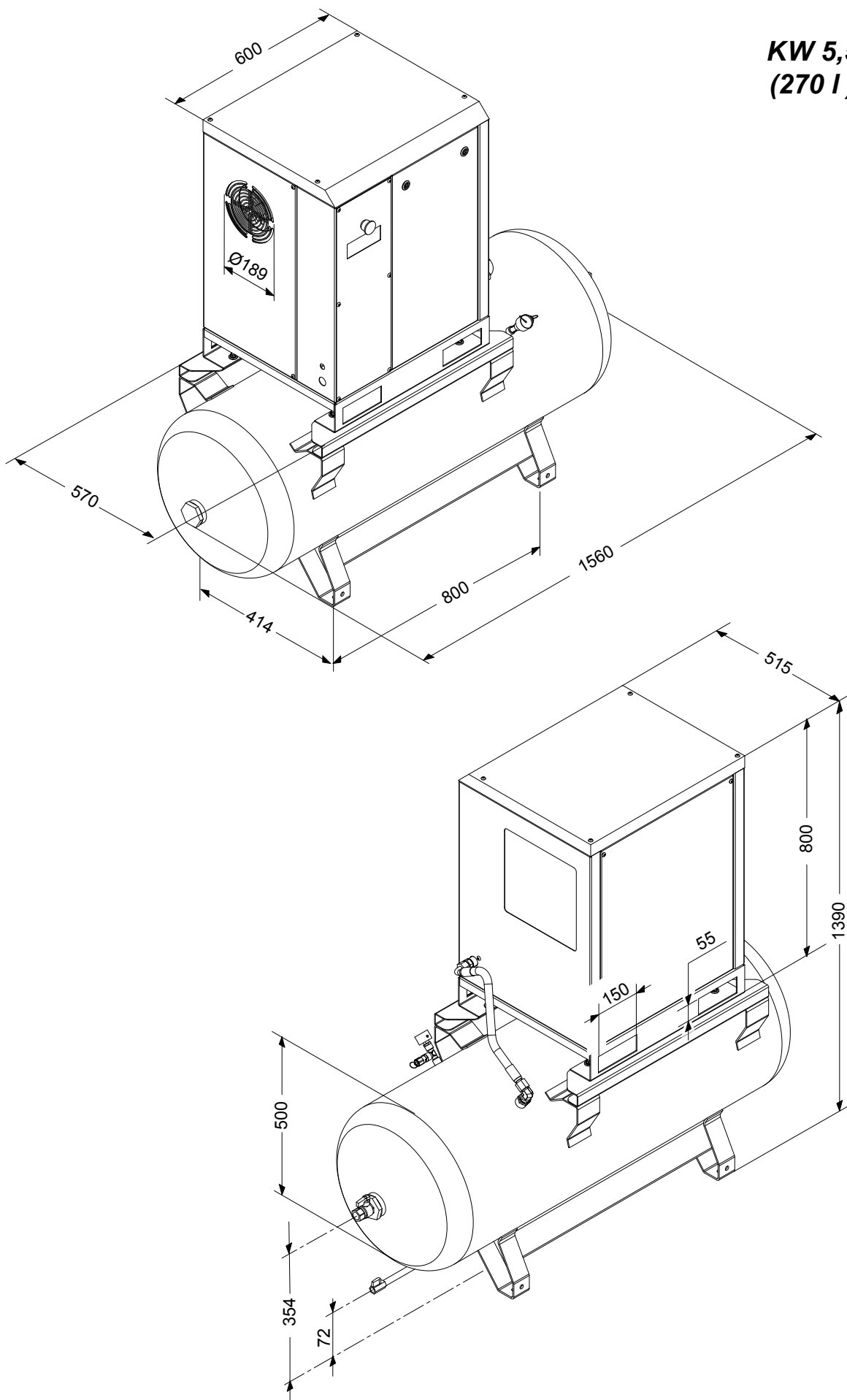
KW 5,5





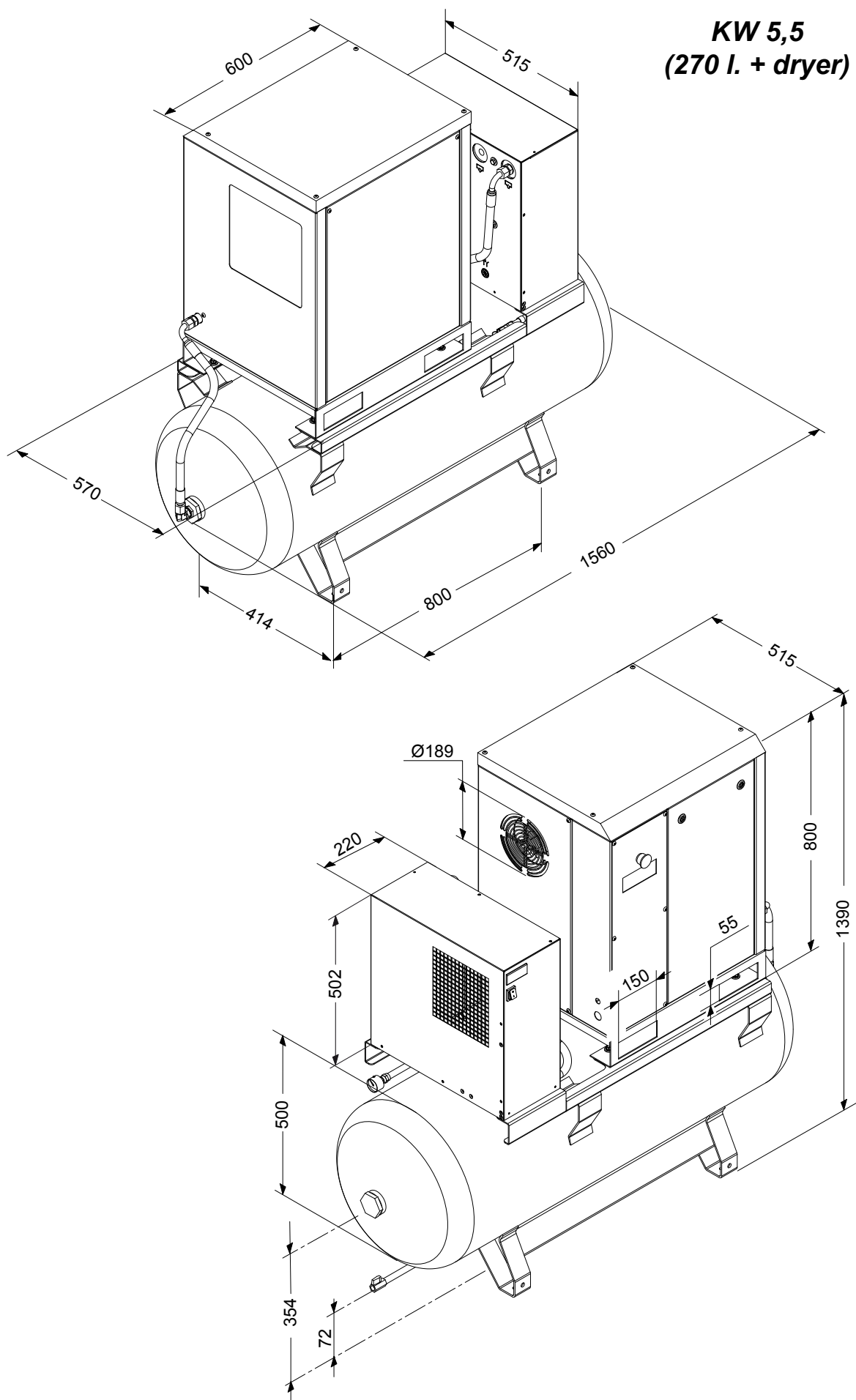
# OVERALL DIMENSIONS

**KW 5,5  
(270 l)**



## OVERALL DIMENSIONS

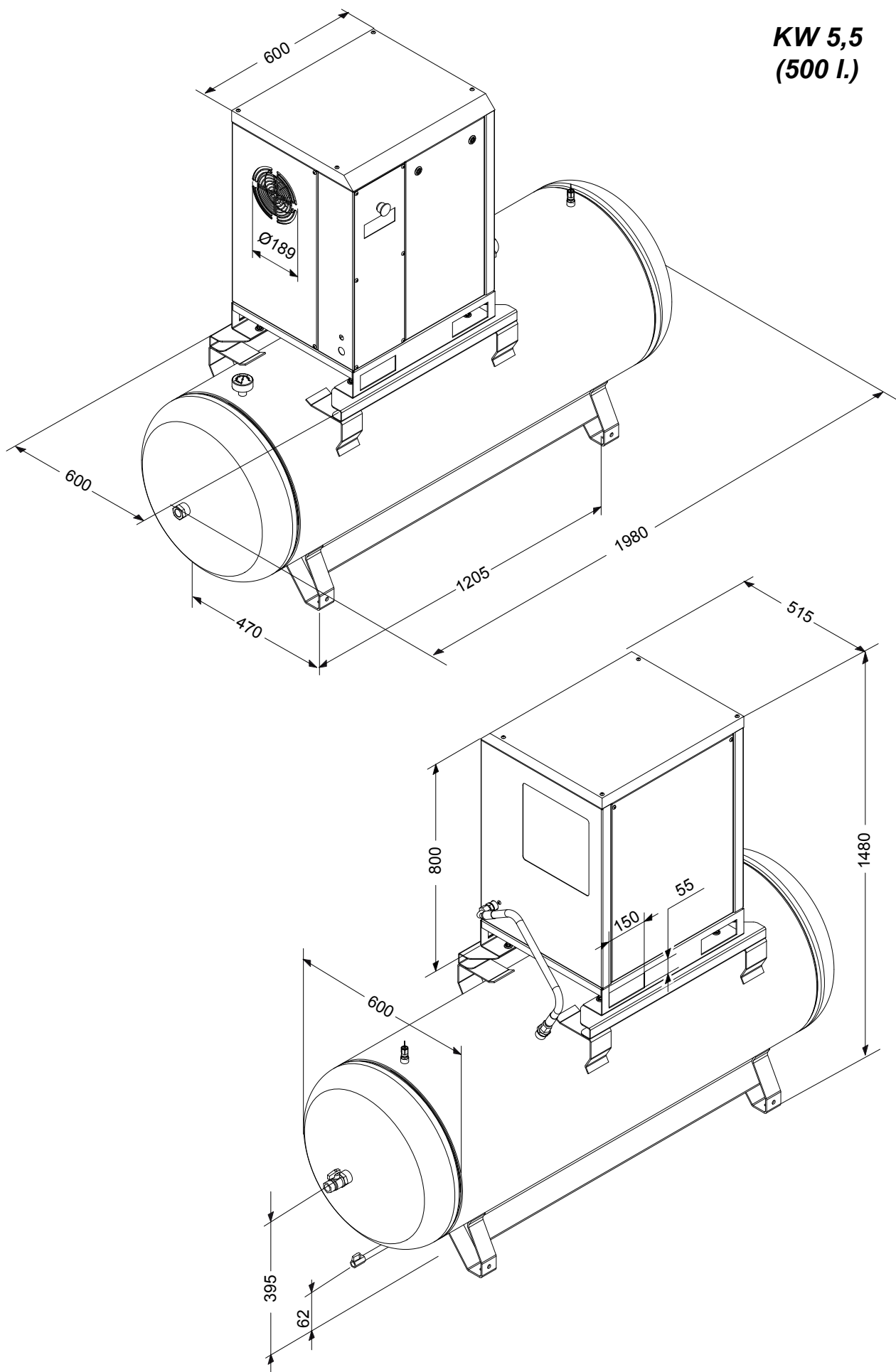
**KW 5,5**  
**(270 l. + dryer)**



# OVERALL DIMENSIONS

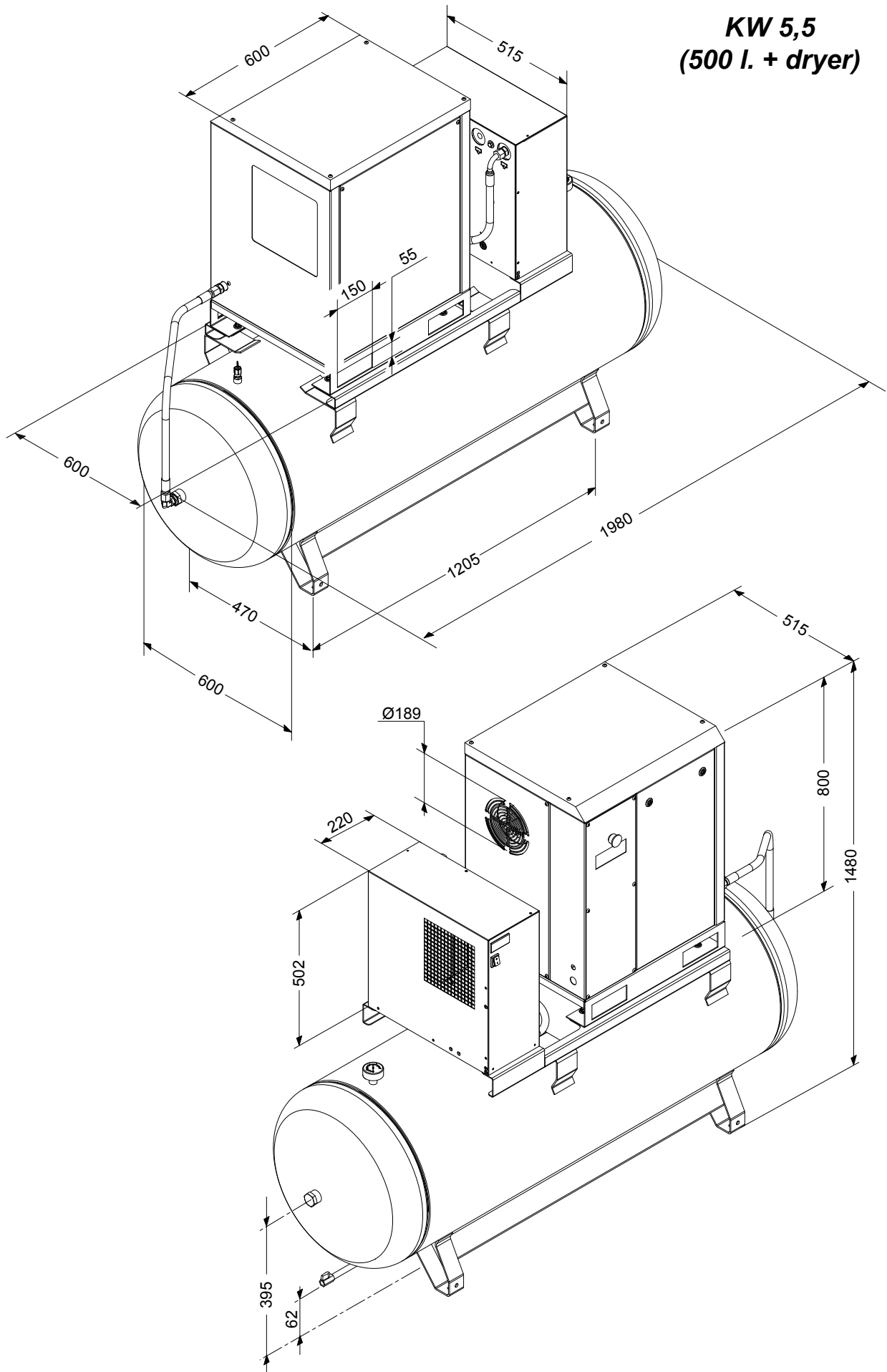
EN

**KW 5,5  
(500 l.)**



## OVERALL DIMENSIONS

**KW 5,5**  
**(500 l. + dryer)**



## GENERAL WARNINGS

- The rotating compressors are destined for arduous and continuous industrial use. They are particularly adapt for application in industries where a large consumption of air is requested for long periods of time.
- The compressor must be used exclusively as indicated in this manual, which must be kept carefully in an easily accessible place known to everyone, as it must remain with the machine for its entire duration.
- The company in which the compressor is to be installed must appoint a person in charge of the compressor itself. Controls, adjustments and maintenance interventions are under his responsibility: if this person must be replaced, the substitute must read the user and maintenance manual and any notes made regarding technical and maintenance interventions carried out up to this time.

## SYMBOLS USED IN THE MANUAL

Several symbols have been used inside the manual, which highlight dangerous situations, give practical advice or simple information. These symbols are found at the side of a text, at the side of a figure or at the top of a page (in this case they refer to all subjects considered on the entire page).

Pay attention to the meaning of the symbols.



### ATTENTION!

Highlights an important description regarding: technical interventions, dangerous conditions, safety warnings, advice and/or very important information.



### REMOVE VOLTAGE!

It is compulsory to deactivate the electric power supply to the machine before carrying out any interventions on the machine.



### MACHINE AT A STANDSTILL!

Every operation highlighted by this symbol must only be carried out with the machine at a standstill.



### SPECIALISED STAFF!

All interventions highlighted with this symbol must be carried out exclusively by a specialised technician.

## SYMBOLS USED ON THE COMPRESSOR

Several different labels are applied to the compressor. Their function is most of all to highlight any hidden dangers and to indicate correct behaviour during use of the machine or in particular situations.

It is of fundamental importance that they are respected.

### Warning symbols

### Prohibition symbols



High temperature risk



Electric shock risk



Risk from hot or dangerous gases in the work area



Pressurised container



Moving mechanical parts



Maintenance in progress



Machine with automatic start-up



Do not open hatches when the machine is functioning



If necessary, always use the emergency stop button and not the line isolating switch



Do not use water to put out fires on electrical appliances

### Obligation symbols



Carefully read the user instructions

read this page carefully before carrying out any intervention on the compressor

## SAFETY REGULATIONS

### TO DO:

Make sure that mains voltage corresponds to the voltage indicated on CE plate and that cable of suitable cross-section are used for electric connections.

Always check oil level before starting the compressor.

Be familiar with emergency stop control and all other controls.

Unplug the connector before any maintenance work, so to avoid accidental start.

Ensure that all parts have been correctly reassembled after any maintenance work.

Keep children and animals off the working area to avoid injuries caused by devices connected to the compressor.

Ensure that temperature of the working environment ranges between +2 and + 45 °C. Compressor working temperature shall range between 70÷85°C (20-25°C room temperature). Lower temperatures may causes condensate accumulation inside the oil separator tank (inside the compressor). **Check for condensate and if necessary, drain it (see maintenance).**

The compressor should be installed and operated in a non-explosive environment.

Allow at least 80 cm between the compressor and the wall so to allow free air flow to the fan.

Press the emergency button on the control panel only in case of actual need so as to avoid possible damages to people or the very compressor.

When calling for technical assistance and/or advice, always mention model, code and serial number indicated on CE plate.

Always follow the maintenance schedule specified in the user's guide.

### DO NOT:

Do not touch inner parts and pipes as they are very hot during compressor operation and stay hot for a certain time after compressor stops.

Do not position inflammable close to and onto the compressor.

Do not move the compressor when the tank is under pressure.

Do not operate the compressor if the power cable is damaged or defective or if connection is unstable.

Do not operate the compressor in wet or dusty environments.

Never aim the air jet at people or animals.

Do not allow unauthorized people to operate the compressor and give them all required instructions.

Do not hit fans with blunt objects as they might break during compressor operation.

Never operate the compressor without air filter.

Do not tamper with safety and adjusting devices.

Never operate the compressor when doors/panels are open or removed.

Do not strike the fans with contusive or metal objects as they could cause sudden breakage during functioning.

Do not allow the compressor to function without the filter and/or air pre-filter.








Do not tamper with safety and adjustment devices.

Never allow the compressor to function with the hatches/panels open or removed.

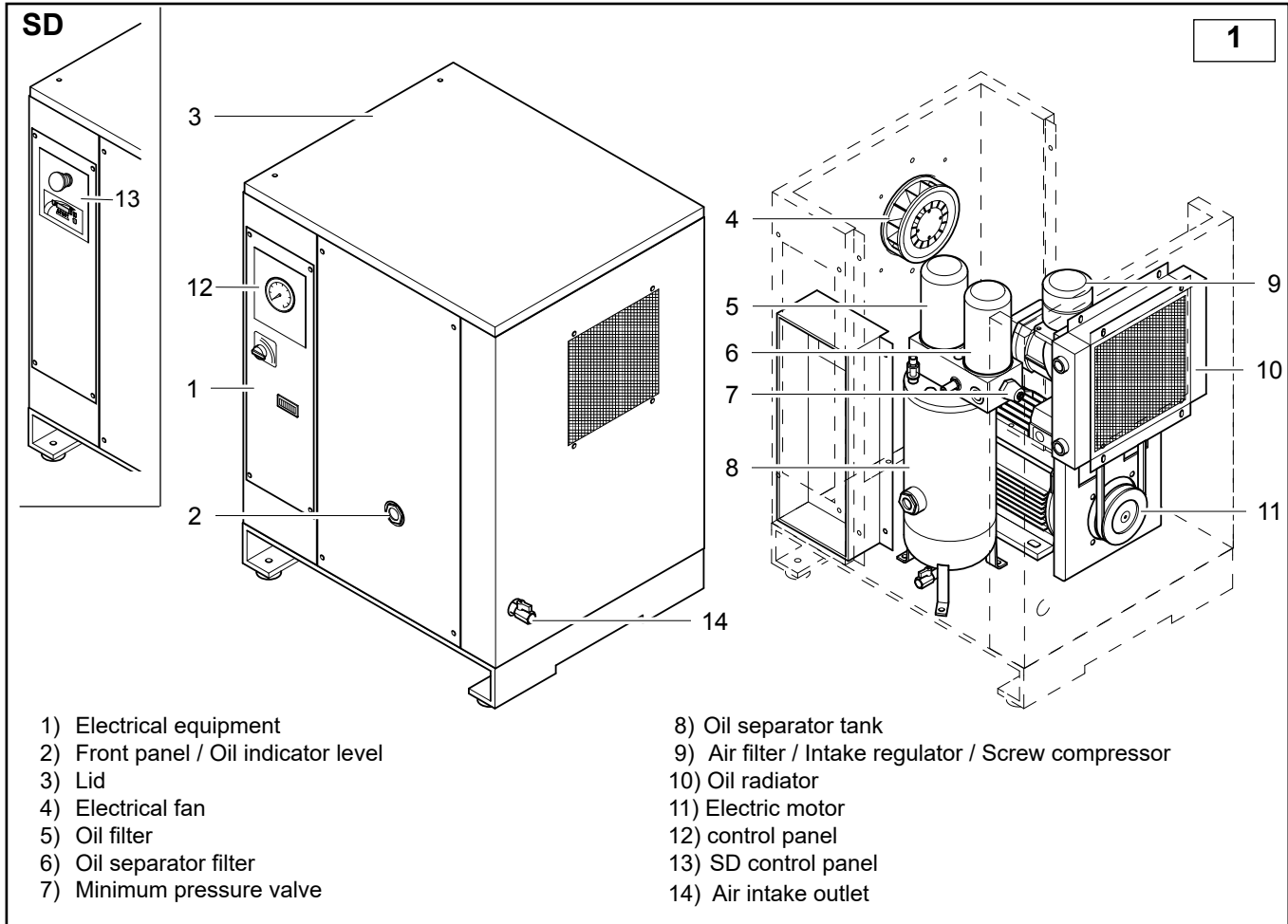
### PRODUCT IDENTIFICATION

The compressor You have purchased has its own CE plate showing the following data:

1. Manufacturer's data.
2. Year of manufacture.
3. TYPE = name,  
CODE = code,  
SERIAL NO. = serial number (to be always mentioned when calling for technical assistance).
4. Tech data: air intake/air delivery, Max. operating pressure, Tank capacity, Rotations per minute, weight.
5. Voltage, frequency, absorption, power.
6. Noise level.

											
① ③ ④ ⑥	<table border="1" style="width: 100%; border-collapse: collapse;"> <tr> <td style="width: 60%;">           TYPE Modello CODE Codice S/N         </td> <td style="width: 40%;"></td> </tr> <tr> <td>           L/MIN CFM         </td> <td style="text-align: center;">  </td> </tr> <tr> <td>           dB(A)         </td> <td style="vertical-align: top;">           bar = psi = Tank = RPM = kg =         </td> </tr> <tr> <td colspan="2" style="text-align: center;">  V =    Hz =    A =    kW =    HP =         </td> </tr> <tr> <td colspan="2" style="text-align: right;">           20....         </td> </tr> </table>	TYPE Modello CODE Codice S/N		L/MIN CFM		dB(A)	bar = psi = Tank = RPM = kg =	 V =    Hz =    A =    kW =    HP =		20....	
TYPE Modello CODE Codice S/N											
L/MIN CFM											
dB(A)	bar = psi = Tank = RPM = kg =										
 V =    Hz =    A =    kW =    HP =											
20....											
	④ ⑤ ②										

## DESCRIPTION OF THE COMPRESSOR



## UNPACKING AND HANDLING THE MACHINE

When delivered, compressor top is protected by cardboard packing.

Wear suitable protective gloves and then cut outer straps and then remove cardboard from the top. Check the (outer) good condition of the machine before moving the compressor. Visually check that no parts are damaged. Also ensure that all accessories are available.

Lift the machine using a fork lift truck. Fit the anti-vibration elements into their proper seat and move the machine to the room chosen for its location with maximum care.

Keep all packing materials at least for the warranty period for possible moving. In case of need, it will be safer for delivery to the technical assistance dept.

**Then, dispose of packing materials in compliance with current laws.**

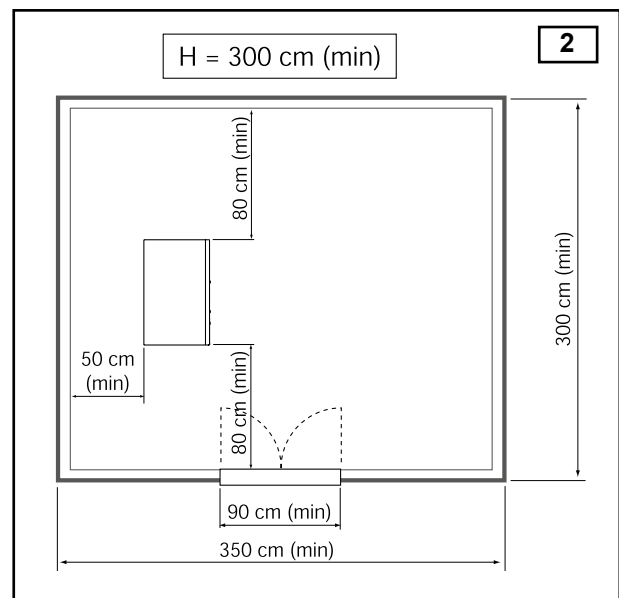
## LOCATION (fig. 2)

The room chosen for the installation of the compressor should meet the following requirements and comply with what is specified in the current safety and accident prevention regulations:

- **low percentage** of fine dust,
- **proper room ventilation and size** that allow room temperature under 45°C. In the event of inadequate hot air discharge, fit the exhaust fans as high as possible.

Condensate should be collected either into a pit or a tank.

The dimensions of the spaces are indicative only but it is advisable to follow them as closely as possible.

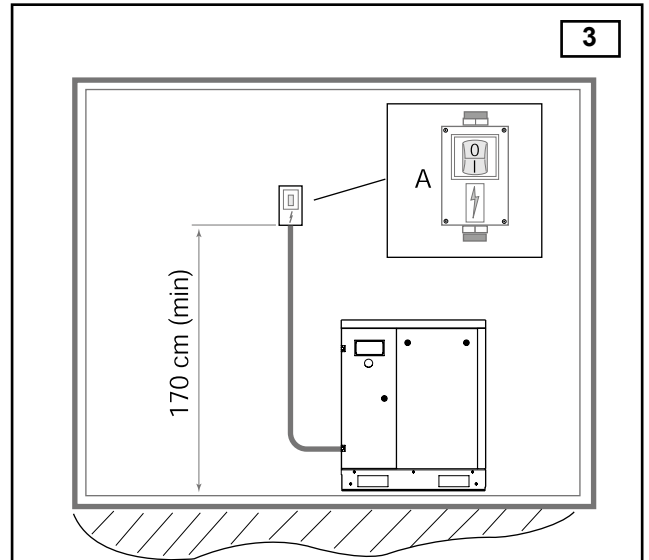




### ELECTRICAL HOOK-UP (fig. 3)

- The mains cable should have a cross-section suitable for the machine power and should include no. 3 phase wires and no. 1 earth wire.
- Between the mains cable and the compressor control panel a fused switch near the point where the cables go into the machine **is absolutely necessary**. The switch should be at least at 1.7 m from the ground.
- The switch (A) should be easily reached by the operator. The cables should be of the approved type and installed with the following grade of protection: minimum IP44

**N.B.** To determine the cables cross-section follow the sizing indications in compliance with the "VDE 0100, Part 430 and 523" Standard, star-delta starter, 30 °C room temperature and cable length lower than 50 meters.





# TECHNICAL FEATURES

Technical characteristics	kW	2.2M		2.2		3		4		4 TA			5.5 TA													
Working pressure	bar g	8	10	8	10	8	10	8	10	8	10	13	8	10	13											
Air-end	type	PS 14																								
F.a.d. (according to ISO 1217 annex C)	l/min	300	260	325	290	430	385	580	485	580	485	330	720	650	485											
Oil quantity	l	2,2											2,3													
Oil quantity for topping-up	l	0,25																								
Max final air temperature above ambient	°C	-	-	-	-	-	-	-	-	-	-	-	-	-	-											
Re-claimable heat	kJ/h	7524		7524		10260		13680		13680			18800													
Cooling fan flow rate	m3/h	600																								
Oil carry over	mg/m3	2 - 4																								
Electric motor	type	B3B14																								
Rated power	kW	2,2		2,2		3		4		4			5,5													
Max. power absorbed, ventilation included	kW	3,21		3		3	3,8		4,2		4,8		4,8		5,2		5,1		5		6,55		6,70		6,85	
Electrical box protection class	IP	54																								
Maximum ambient temperature	°C	2 - 45																								
Noise level (according Pneuop/Cagi N2CPTC2)	dB(A)	58				59				60				60				64								

Electrical data		230/1~/50		400/3~/50																						
Voltage	V/Ph/Hz	230/1~/50		400/3~/50																						
Auxiliary voltage	V/Ph/Hz	-	-	-	-	24/1~/50						24/1~/50														
Start-up absorbed current	A	75		35		40		52		24			30													
Max. absorbed current, ventilation included	A	14,3		5,2		5,2	6,2		6,6		8,7		8,4		8,7		8,5		8,4		10,2		10,5		10,2	
Idle running absorbed power	kW	-	-	-	-	-	-	1,21			1,52															
Electrical motor protection class / Class ISO	IP	55/F																								
Service factor		1,1																								

Protection devices		14,5		5,5		6,6		8,8		5,2			6,8		
Max oil temperature	°C	110													
Motor overload switch setting	A	14,5		5,5		6,6		8,8		5,2			6,8		
Safety valve setting	bar	14													

Dimensions and weight		580						600							
Length	mm	580						600							
Width	mm	480						520							
Height	mm	760						780							
Weight	kg	87		87		92		93		94			125		
Air outlet size	G	1/2"													

Dimensions and weight + tank	l.	200						270			500					
Length	mm	1440						1560			1980					
Width	mm	510						570			600					
Height	mm	1280						1390			1480					
Weight	kg	144		144		149		151		151			185		247	
Air outlet size	G	1/2"														

Dimensions and weight + tank + dryer	l.	200						270			500					
Length	mm	1440						1560			1980					
Width	mm	510						570			600					
Height	mm	1280						1390			1480					
Weight	kg	175		175		180		182		181			215		277	
Air outlet size	G	1/2"														

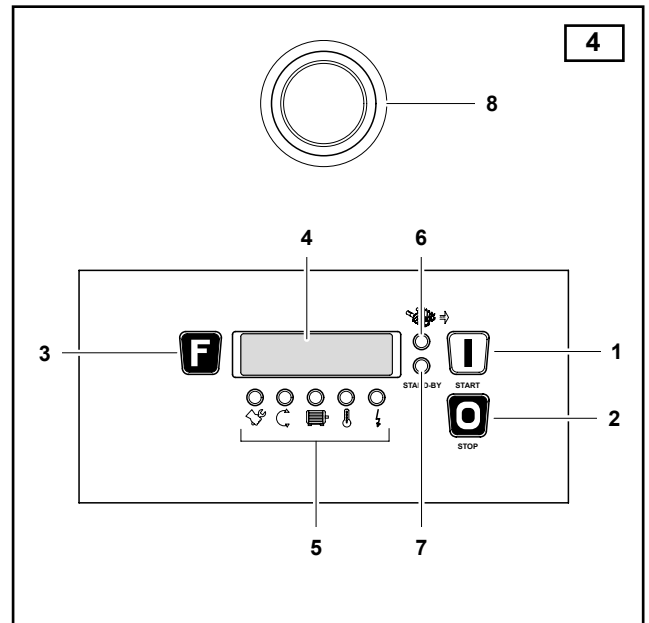
* SD - Star Delta starter	** M - Single phase
---------------------------	---------------------



## CONTROL PANEL

The version is equipped with an electronic control which manages all of the compressor functions

1. START key:  
controls start up of the compressor.
2. RESET key:  
controls turning off of the compressor.
3. "Function" key:  
allows movement from one display to the other.
4. Display:  
shows the information.
5. Alarm warning lights:  
turn on in case of alarm.
6. Screw warning light:  
turning on means that the compressor is loading.
7. Stand-by warning light:  
turning on indicates the compressor is waiting.
8. Emergency shutdown button:  
pressing this button causes immediate stoppage of the compressor. **To be used only and exclusively** in the event of real need.



## WORKING TIMES

- START-STOP function: the compressor starts from the pressure switch command. When maximum pressure is reached it stops and restarts automatically only if the minimum pressure value allowed is reached.
- The compressor function is regulated by the electronic control unit, which measures the pressure by means of a pressure transducer and determines the stopping of the machine when the maximum pressure is reached (vacuum pressure) and it restarts when the pressure decreases to the minimum calibration level (load pressure)
  - The machine stop is a delayed type that does not occur at exactly the same time as reaching maximum P value but after a certain time (idle time), during which no air is taken.
  - The factory idle time is 75 seconds but check that the n° of switch on per hour DO NOT exceed the max advised. If above, increase the "idle time", in order to avoid not necessary switch on and switch off cycles.

## PRESSURE REGULATOR

The User should install an intercepting and regulating device downstream of the compressor in order to set the air distribution line according to his/her needs.





## MODIFIABLE PARAMETERS

These settings apply exclusively to the models fitted with power unit.

### User menu

With the compressor off, keep the "Function" key pressed for at least 5 seconds.

N°	Parameter	U.M	Min. value	Default value	Max value
U0	Set loadless pressure (*)	Bar	0.5	10.0	15.0
U1	Set loading pressure (**)	Bar	0	8.5	(Set P loadless) – 0.5
U2	Unit of measure (***)	Bar/Psi	0	1	1

- to select the parameter desired use START (forward) and RESET (back) keys,
- then press the FUNCTION key to show the value of the chosen parameter,
- to change the value use START (to increase) and RESET keys (to decrease),
- confirm the value set by pressing the FUNCTION key.
- The power unit returns to the main menu, and after 5 seconds without pressing any key it returns to the standard display.

(\*) Set loadless pressure: indicates the value of pressure at which the compressor starts the loadless operating cycle.

(\*\*) Set loading pressure: indicates the value of pressure at which the compressor starts compressing air again.

(\*\*\*) 1=bar, 0=psi

### Assistance menu

The settings below must be performed only by authorised technicians.

With the compressor off or in alarm status, keep the "FUNCTION" and "RESET" buttons pressed for at least 5 seconds, then a password will be requested.

N°	Parameter	U.M	Min. value	Default value	Max value
A0	Temperature to power fan	°C	0	80	150
A1	Time loadless	sec.	30	75	900
A2	Delay time in stoppage phase	sec	30	60	900
A3	Enable pressure sensor (*)		0	1	1
A4	Enable temperature sensor (*)		0	1	1
A5	Enable automatic start (*)		0	0	1
A6	Enable phase sequence (*)		0	1	1
A7	Expiry oil hours	hours	0	2000	65536
A8	Expiry oil filter hours	hours	0	2000	65536
A9	Expiry air filter hours	hours	0	1000	65536
A10	Expiry oil separator hours	hours	0	2000	65536
A11	Total hours (**)	hours	0	—	65536
A12	Loading hours (**)	hours	0	--	65536

(\*) 1=enabled, 0=disabled

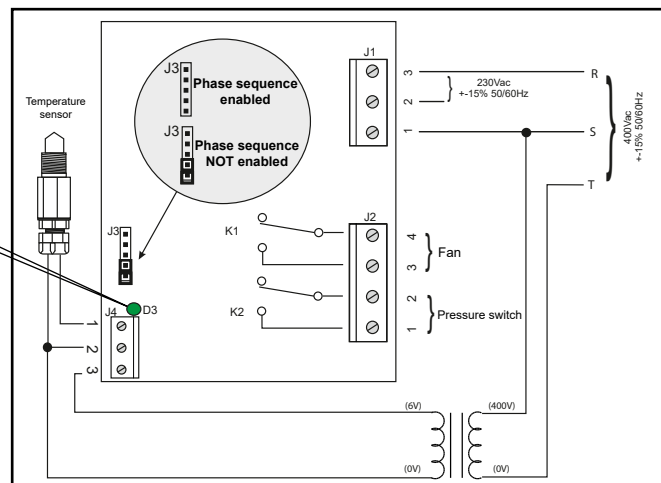
- to select the parameter desired use START(forward) and RESET keys (back),
- then press the FUNCTION key to show the value of the chosen parameter,
- to change the value use START (to increase) and RESET keys ( to decrease),
- confirm the value set by pressing the FUNCTION key.
- The power unit returns to the main menu, and after 5 seconds without pressing any key it returns to the standard display.



During normal operation of the compressor the following signals can occur:

### SE VERSION

NR. OF BLINKS	ALARM TYPE
2	Temperature over 110°C
3	Wrong phase sequence
4	One phase is missing or voltage is too low
5	Temperature sensor faulty or not connected
6	Electronic board is faulty



### TA / TRONIC VERSION

#### Alarm warning lights (rif.5, fig.5)



**Maintenance**  
The warning light indicates that maintenance is required.



The warning light turns on to indicate a wrong electrical connection. The compressor blocks. Check connection to the mains cable and to the terminals of the electrical panel of the compressor.



**Oil temperature.**  
Blinking warning light = pre-alarm without compressor block  
Fixed warning light = alarm with compressor block  
Let the compressor cool down and check the oil level.



The maximum temperature of the motor has been exceeded. The compressor blocks. Let the motor cool down and check setting of thermal relay.



Indicates there has been a blackout. The compressor blocks. With compressor stopped, press RESET to disable the alarm before restarting.

#### Alarm messages, the following alarms are shown on screen:

- AL1 Faulty or broken temperature sensor with blockage of compressor.  
Replace sensor.
- AL2 Faulty or broken pressure sensor with blockage of compressor.  
Replace sensor.
- AL3 No phase or phase sequence transformer not operational with blockage of compressor.  
Check presence of phase and if necessary replace transformer.
- AL4 Maximum alarm pressure with blockage of compressor.  
Contact an assistance centre to remove the cause of the problem.
- AL5 Fast rise in temperature with blockage of compressor.  
Contact an assistance centre to remove the cause of the problem.
- AL6 The emergency button has been pressed.  
Reset the button to correct position.

All alarms cause the compressor to block, which can be restarted only when the problem which has caused the blockage is resolved. The alarm signal remains even after the problem has been solved, to disable it press the RESET button before restarting the compressor.

#### Maintenance signalling

The power unit also signals periodic maintenance operations, the internal counters decrease at each hour of loading of the compressor until zero is reached, at this point the maintenance signal will appear on the display:

- CH1 Expiry of oil hours. Replace oil.
- CH2 Expiry of oil filter hours. Replace oil filter
- CH3 Expiry air filter hours. Replace air filter.
- CH4 Expiry of oil separator hours. Replace oil separator filter.

If more signals are verified at the same time they are displayed in sequence.

Once the maintenance has been performed the internal counters must be reprogrammed.

- Before starting the machine for the first time, **check that:**
- the mains voltage is the same as the voltage on the CE plate;
  - the electric connections have been made using cables of proper cross-section,
  - the (wall) main power switch has suitable fuses;
  - the oil level is over the minimum level - top up with the same type of oil if necessary;

### CONNECT THE TANK WITH A HOSE.

**Only specialised technicians can start the compressor for the first time.**

**ON/OFF (fig.4):** Before starting up the machine remove the rear panel, switch on the machine by positioning switch (2) in the ON position and check the correct rotating direction of the motor, as indicated by the arrows applied on the screw-motor plate (fig.6).

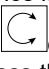
If the rotation direction is not correct the compressor does not start; a warning sound and a light on the electronic thermostat (inside the electrical compartment) alert to the issue.

Immediately switch off the machine taking both the switch (2) and the wall switch to the OFF position. Open the electric compartment and invert the position of the electric cables of the two phases in the powering terminal board.

Close the electric compartment and restart.

**SD STAR-DELTA (fig.5):** The **turning on procedure** starts by pressing the START key (1).

The Stand-by led (7) blinks and after a few seconds the presence of the phases and their correct sequence is checked.

If the compressor does not start and the light  comes on, the phase sequence device has intervened, press the RESET (2) button and set the wall mounted switch to the OFF position.

Open the electric compartment and invert the position of two phases in the power terminal box. Close the electrical compartment and restart.

The start up procedure is repeated: the Screw led (6) blinks and after a few seconds it becomes fixed, the load phase starts until the "set loadless pressure" value is reached.

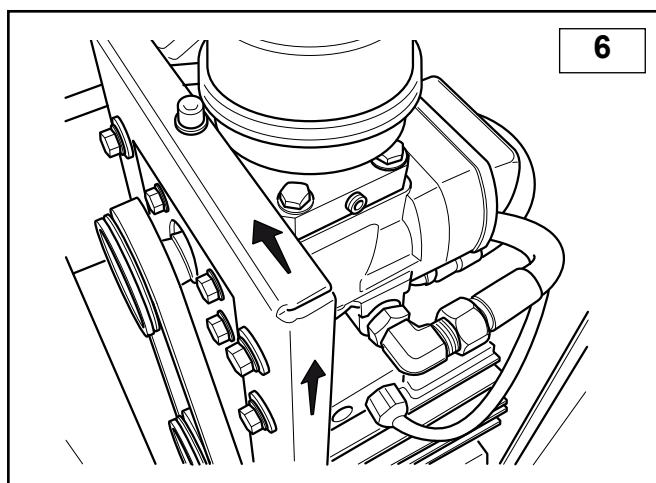
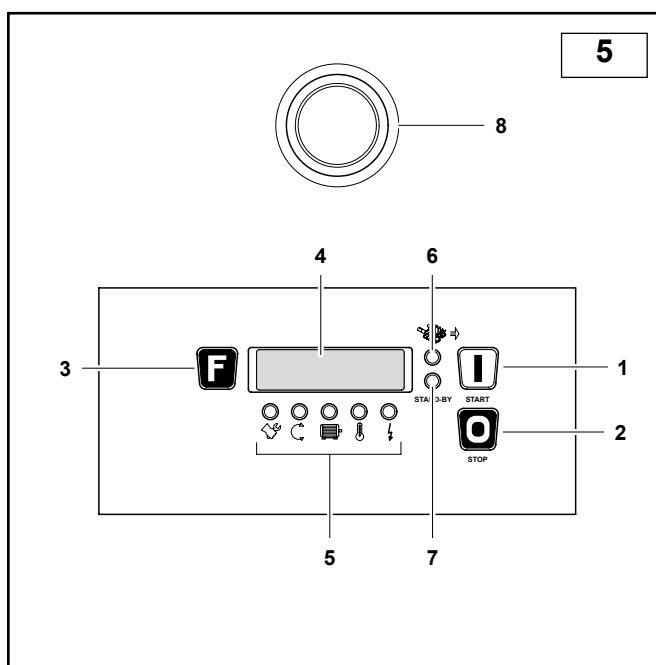
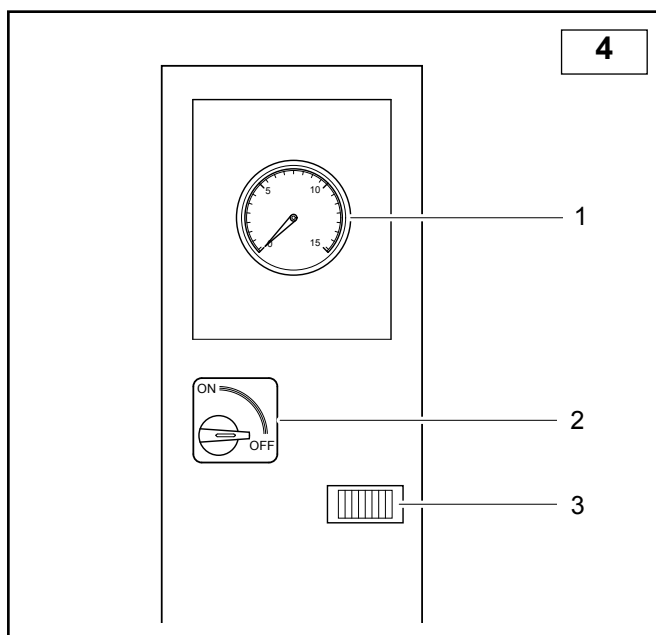
The Screw led (6) blinks again and the loadless operation phase begins.

If at the end of the loadless operation (default 75 sec.) the pressure has not fallen below the "set load pressure" value the compressor stops and the Stand-by led turns on (7); otherwise upon reaching the "set load pressure" value the compressor restarts the loading phase and the Screw led turns on in fixed mode (6).

During normal function, press the Function key (3). The following information will be displayed:

- pressure,
- temperature,
- total hours of operation (with compressor on),
- hours of operation loaded (with compressor in load phase).

By pressing the RESET key (2) the **turn off procedure** starts, the Screw led (6) blinks and the compressor enters the loadless operation mode for the time set by the parameter "delayed stop time" (default 60 sec.). At the end of the cycle the compressor stops.



## FUNCTIONING CYCLE



- Correct maintenance is crucial to achieve maximum efficiency of your compressor, and to lengthen its operating life.
- It is also important to comply with the maintenance intervals recommended, but it must be remembered that such intervals are suggested by the manufacturer in the event that the environmental conditions of use of the compressor are optimal (see "Installation" chapter).
- The maintenance intervals can therefore be reduced depending on the environmental conditions in which the compressor operates.
- The oil used is FSN Original Oil, the use of a different oil does not guarantee perfect efficiency and compliance with the maintenance intervals.
- The maintenance operations described in the table below and on the following pages must be carried out by authorised staff.

### Maintenance table

Type of maintenance	Maintenance schedule		o at least
	work hours		
	(when MINERAL OIL is used)	(when SYNTHETIC OIL is used)	
Drain condensate from air tank (if present)	50	50	weekly
Drain condensate from the oil tank	50	50	weekly
Oil check and top up	500	500	once per month
Clean intake air filter cartridge	500	500	-
Check transmission belt tension	500	500	once a year
Check and clean radiator	1000	1000	once a year
Replace intake air filter cartridge	1000	1000	once a year
Replace oil filter	2000	4000	once a year
Replace oil separator filter	2000	4000	once a year
Replace oil	2000	4000	once a year
Replace scavenge non return valve	4000	4000	once a year
Intake valve service	4000	4000	-
Replace drive belt	4000	4000	-
Minimum pressure valve overhaul	8000	8000	-
Replace flexible hoses	8000	8000	-
Solenoid valve replacement	8000	8000	-
Air-end overhaul/ replacement	16000	16000	-
Refer to the motor manual and/or to the motor data plate for electric motor bearing maintenance			

To verify correct machine operation, perform the following checks **after the first 100 hours of work**:

- 1) **Check the oil level:** top up with the same type of oil if necessary.
- 2) **Check for proper screw tightening:** in particular the power electric connection screws.
- 3) Visually check that all **fittings seal properly**.
- 4) Check the **belt tension** and if necessary, reset it.
- 5) Check the **hours of work** and the **type of service selected**
- 6) Check **room temperature**.

#### BEFORE MAINTAINING THE MACHINE ALWAYS PERFORM THE FOLLOWING:

- √ **Press the machine automatic stop button** (do not use the emergency button).
- √ Power the machine off by means of the wall outer switch.
- √ Close the line cock.
- √ Make sure that no compressed air is inside the oil separator tank.
- √ Remove fairing and/ or panels.

## DRAIN CONDENSATE (Fig.5)

The oil/air mixture cooling is set at a higher temperature with respect to the dew point of the air (under standard operating conditions of the compressor). However, the condensate in the oil cannot be fully removed.

Blow off compressed air through cock **B** and then close it as soon as oil begins to flow out instead of water. Check the oil level and top up if necessary

**CONDENSATE IS A POLLUTING MIXTURE!** It must not be let into the sewage.

## OIL CHECK AND TOP UP IF NECESSARY (Fig.5)

When the compressor is off, remove the front panel (2) and check the oil level through the indicator.

If the level is under the minimum, remove the front panel and refill through hole **A**.

Quantity of oil for refilling from the min to the max level, see the technical data table.

Use ONLY oil of the same type (FSN Original Oil).

## CLEANING/REPLACING THE FILTERING ELEMENT (Fig.6)

With the compressor stopped, remove the lid and carefully clean the filtering element **D** using compressed air from the inside towards the outside. Check, against the light, for the presence of possible tears and if necessary, replace it.

The filtering element and the lid should be mounted with care, so that no dust can enter the compression unit.

Never allow the compressor to function without the filtering element.

Replace the filtering element **D**. Alarm signal **CH3**

## CLEANING THE RADIATOR

It is recommended that in case of over temperature anomalies and however, at least once a year that the radiator is cleaned.

Proceed as follows:

position a sheet of protective plastic under the radiant pack; spray (with a washing + detergent gun) from inside towards the outside.

Check that the air flows correctly by means of the radiator.

## REPLACING THE OIL FILTER (Fig.7)

With the compressor stopped, remove the lid and the front panel. Alarm signal **CH2**

At each change replace also the oil filter **E**, unscrew the old filter and replace it. Always apply some oil on the edge of the filter and on the seal before refitting manually the filter.

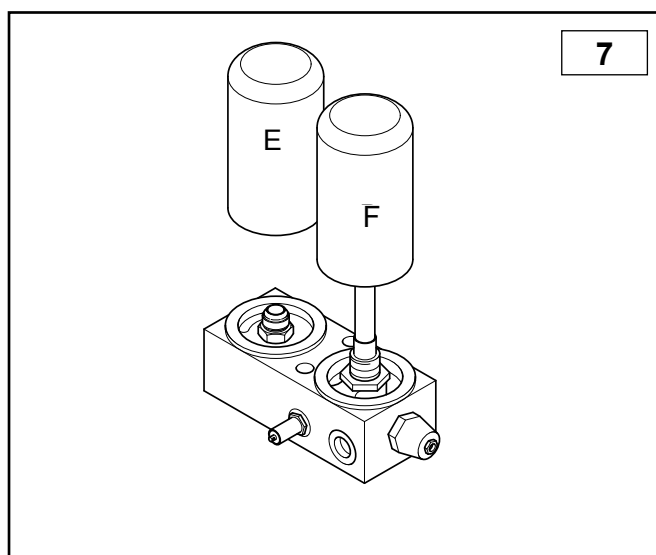
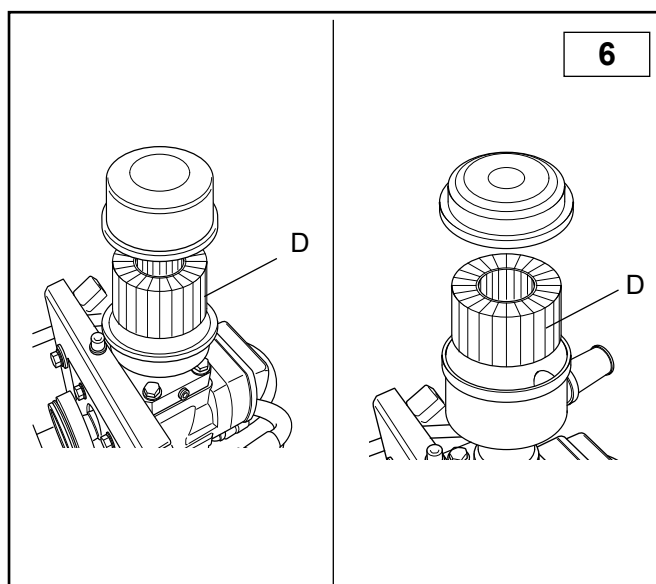
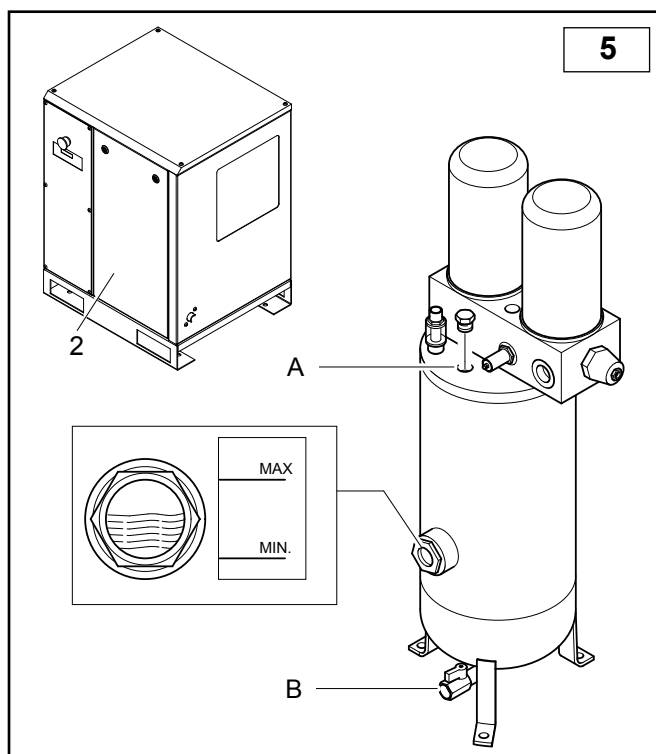
## REPLACING THE SEPARATOR FILTER (Fig.7)

With the compressor stopped, remove the lid and the front panel. Alarm signal **CH4**

The oil separator filter **F** cannot be cleaned, but must be replaced.

- Unscrew filter manually (or if necessary use an appropriate filter tool) turning it anticlockwise.

- After having slightly greased the oil separator filter seal and O-ring, fit the new filter by turning clockwise.





**REPLACING THE OIL (Fig.8)**

When the compressor is hot - above 70 ° C , replace oil.

**Alarm signal CH1**

- Remove the front panel (2).
- Connect the cock **B** in the base of the separator tank to the drain hose supplied.
- Unscrew the cap from hole **A**, open the cock and drain the oil into a recovery container until complete discharge.
- Turn off the cock **B**, and remove the hose.
- Fill with new oil through hole **A** (quantity for complete refilling: see the technical data table) and screw the cap .
- Start the compressor and let it run for 5 minutes, then stop it, wait 5 minutes before checking the oil level. Top up if necessary.

**EXHAUSTED OIL CAN POLLUTE THE ENVIRONMENT!**  
For its disposal, operate in accordance to the laws in force for environmental protection.

- The oil in the original equipment is FSN Original Oil in the following list:

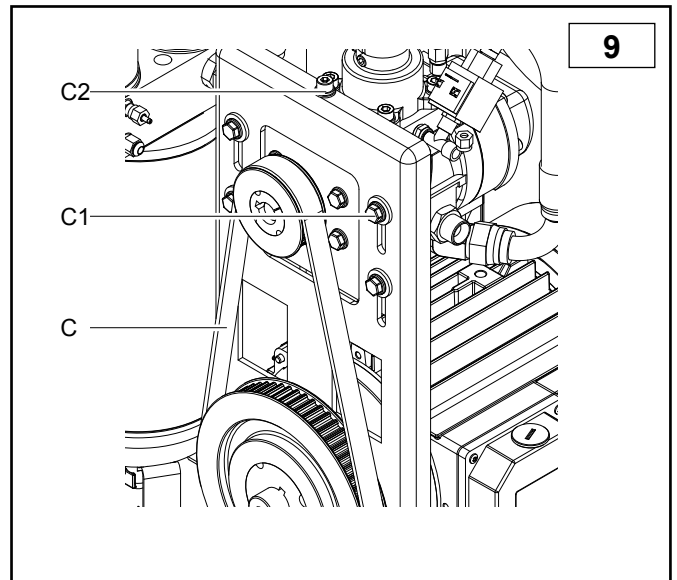
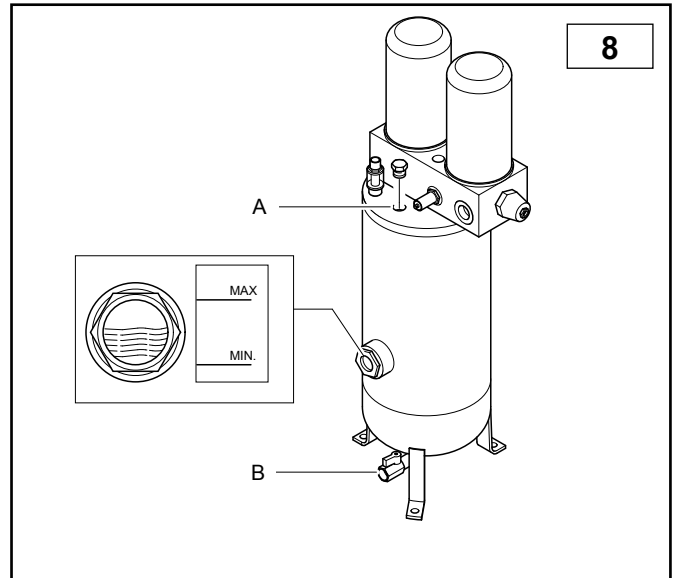
Description	Type of oil
RotEnergyPlus 46cST	Synthetic lubricant ISO 46 for industrial use
RotEnergyFood 46cST	Synthetic lubricant ISO 46 for foodstuff use
RotarECOFLUID 46cST	Mineral lubricant ISO 46 for industrial use

A label attached to the compressor tank indicates the exact type of oil used before first installation.

You are advised to use that type of oil in all the oil changes planned for ordinary maintenance (for the time intervals, refer to the maintenance table).

If you want to change the type of oil, it is necessary to make such a change only at the full replacement. **NEVER MIX DIFFERENT TYPES OF OIL.**

In such a case it is advisable to replace the oil filter and the separator filter.



**CHECKING THE TRANSMISSION BELT TENSION (Fig.9)**

When the compressor is stopped, remove the rear panel and check the belt tension.

Use a suitable measuring instrument that determines with precision the belt tension degree by means of a frequency measuring device in order to perform this control.

Operate as follows:

- Place the microphone of the measuring instrument near to the belt (about half way) and hit the belt with a wrench.
- Read the value detected by the instrument and if different from the values indicated in the table (fig.9A), adjust the tension:

**Value higher = belt too tight**

**Value lower = belt too loose**

Adjust by loosening the four bolts **C1** and adjust the tension with screw **C2**. After adjusting, tighten the bolts **C1**.

Check the frequency value again and if necessary, repeat the operation.

**REPLACING THE TRANSMISSION BELT (Fig.9A)**

When the compressor is stopped, remove the rear panel. Loosen the four bolts **C1** and act on screw **C2** loosening belt **C** until completely loose.

Remove the belt and replace it with a new one.

Having made the replacement, after the first 30 minutes of operation, stop the machine, wait approximately 30 minutes (cooling) and check tightening of the belts as previously described.

Working pressuree (bar)	2,2 (M)	2,2	3	4	5,5	kW
8		81	88	94	117	Frequency Hz
10	89	84	88	96	114	
13				100	121	

**9A**

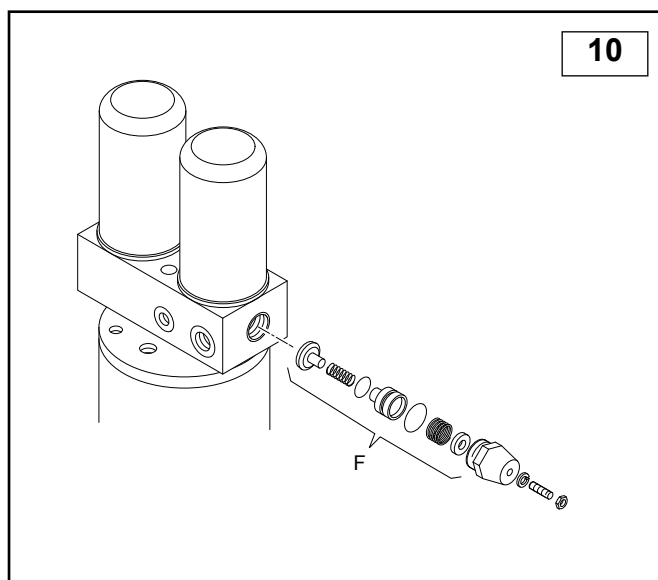


## REPLACING THE MINIMUM VALVE (Fig.10)

Replace parts subject to wear **F** using the minimum pressure valve kit .

## REPLACING THE FLEXIBLE HOSES

It is recommended that they are replaced when changing the oil. Loosen the hose fittings, replace them and tighten with force the fittings. Continue with the final phases of the oil changing procedure.



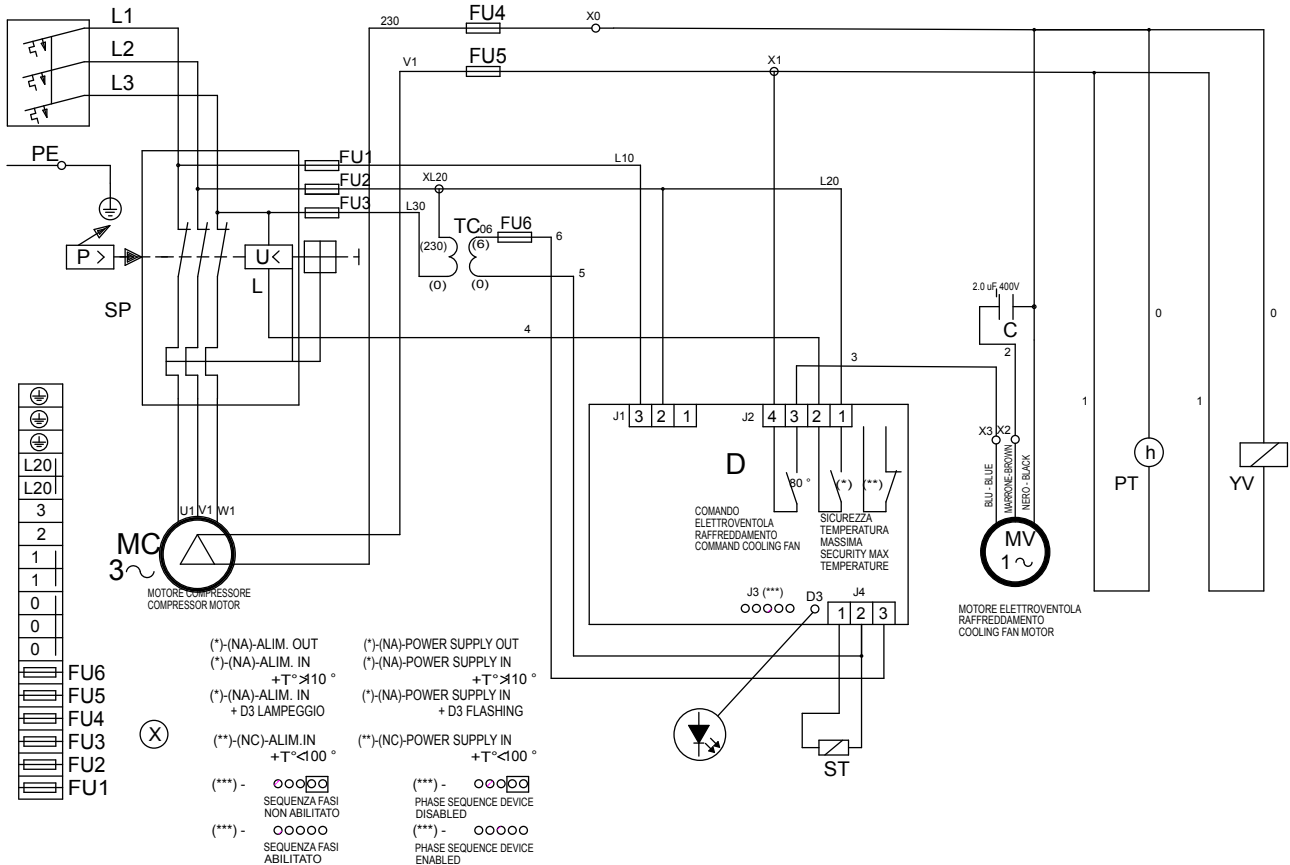
## TROUBLESHOOTING



Problem	Cause	Remedy
Motor stopped (thermal relay operation signal)	Voltage too low	Check voltage, press Reset and then restart.
	Overtemperature	Check motor absorption and relay setting. In case of regular absorption press Reset and restart.
Oil consumption high	Drainage faulty	Check oil drain hose and check valve
	Oil level too high	Check oil level and drain some, if necessary
	Oil separator filter broken	Replace oil separator filter
	Oil separator filter seal leaking	Replace oil separator nipple seals
Intake filter leaks oil	Intake regulator stays open	Check regulator and solenoid valve
Safety valve opening	Pressure too high	Check the pressure settings.
	Intake regulator does not close at the end of the cycle	Check regulator and solenoid valve
	Oil separator filter clogged	Replace oil separator filter
Sensor for compressor temperature triggered	Room temperature too high	Improve ventilation
	Radiator clogged	Clean radiator with solvent
	Oil level too low	Top up oil
	Electrical fan does not start	Check the electrical fan motor.
Compressor performance low	Air filter dirty or clogged	Clean or replace filter
Compressor does not compress air while running	Regulator closed. It cannot open because dirty.	Remove intake filter and check for proper manual opening. Remove and clean, if necessary.
	Regulator closed. It cannot open because no command is received.	Check for signal on solenoid valve. Replace damaged part, if any.
Compressor compresses air over max. pressure value	Regulator open. It cannot open because dirty.	Remove and clean regulator
	Regulator open. It cannot open because no command is received.	Check for signal availability between pressure switch and solenoid valve. Replace damaged part, if any.
Compressor does not start	Oil separator filter clogged	Replace oil separator filter
	Min. pressure valve does not close perfectly	Remove the valve, clean and replace seal, if necessary
Compressor hardly starts	Voltage too low	Check mains voltage
	Tube leaking	Tighten fittings

# WIRING DIAGRAM - SE Version / Mech Three-phase

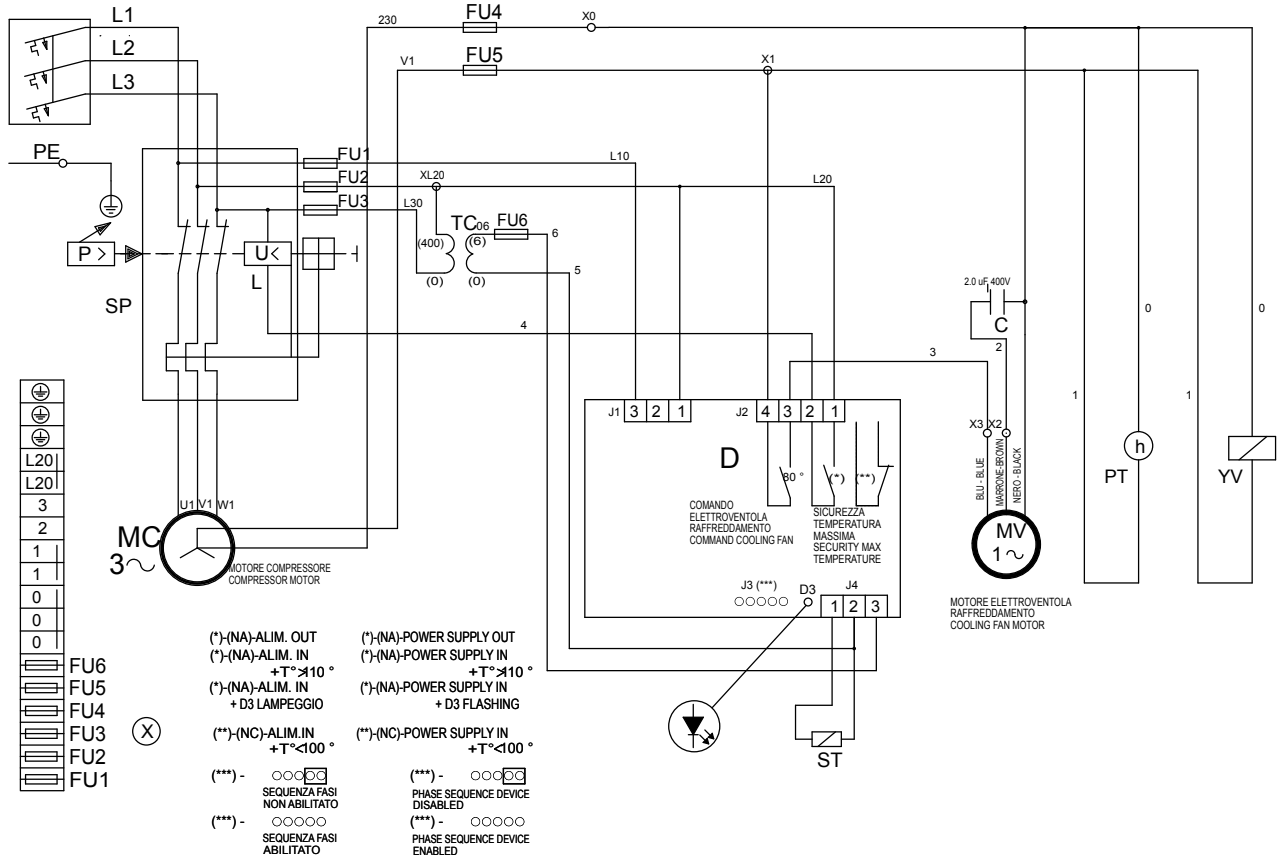
(A) = Inom x 1,5



Rif.-Ref.	Denominazione-Description-Denomination	2,2 kW	3 kW	4 kW
FU1-FU2-FU3	Fusibili (Fuses) (Fusibles) 2A 5x20			
FU4-FU5	Fusibili (Fuses) (Fusibles) 2A 5x20			
FU6	Fusibili (Fuses) (Fusibles) 500 mA 5x20			
TC	Trasformatore (Transformer) (Transformador) Pr.230/Sec 6			
SP	Telepressostato (Pressure switch with cut out) (Presostato remoto)	6,3-10	10-16	10-16
L	Bobina di minima (Min Magnet coil) (Bobina de mínima) per telepressostato 230 V			
D	Control elettronico temperatura (Electronic Controller) (Controlador electrónico)			
ST	Sonda termica (Temperature Probe) (Prueba termica) per controllo elettronico			
YV	Elettrovalvola (Solenoid Valve) (Electroválvula) NA 230 Vac			
PT	Contaore (Hours Counter) (Cuentahoras) 230 Vac			
D3	LED Lampeggio (Led Flashing) segnalazione allarmi (Alarm)			
	Sezione cavo motore (Secc. cable motor) mmq	4G1,5	4G2,5	4G2,5

# WIRING DIAGRAM - SE Version / Mech Three-phase

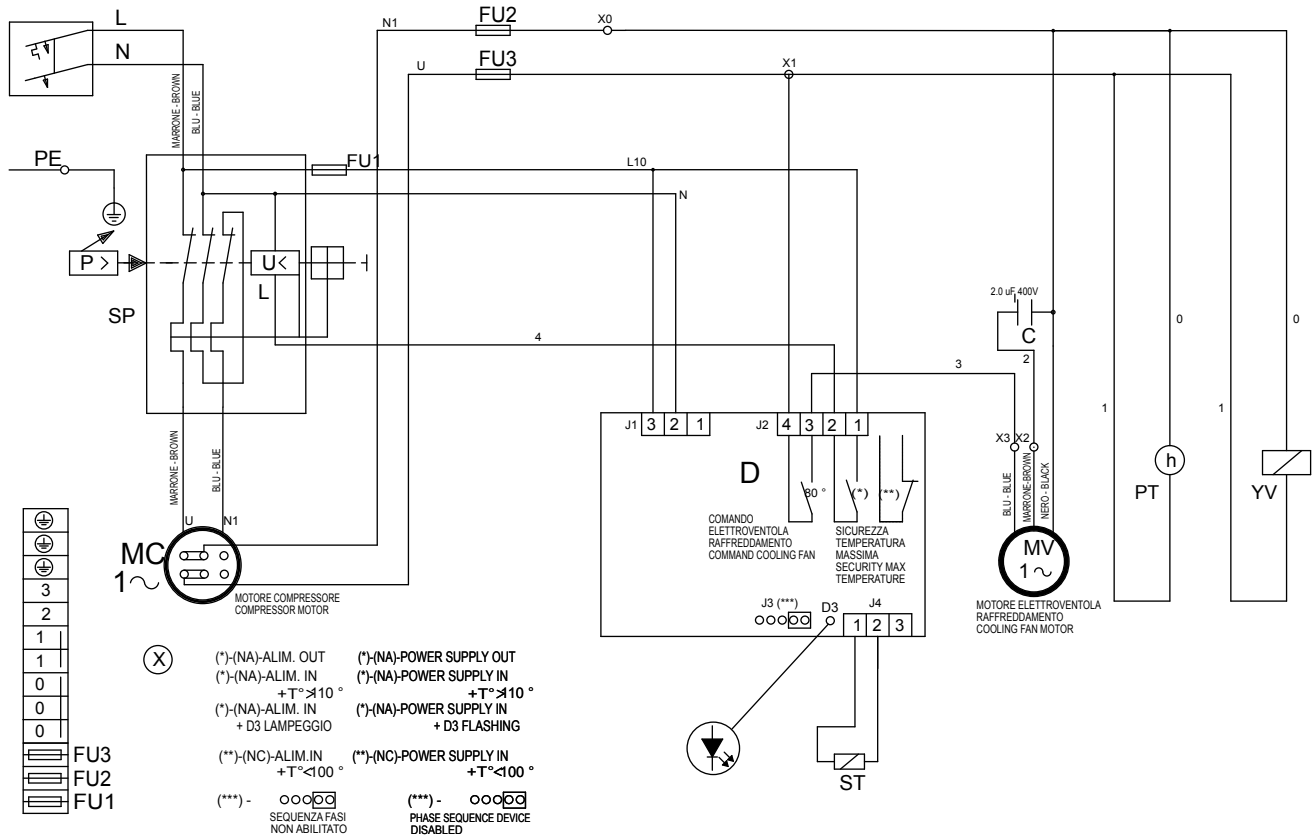
(A) = Inom x 1,5



Rif.-Ref.	Denominazione-Description-Denomination	2,2 kW	3 kW	4 kW	
FU1-FU2-FU3	Fusibili (Fuses) (Fusibles) 2A 10,3 X 38				
FU4-FU5	Fusibili (Fuses) (Fusibles) 2A 5x20				
FU6	Fusibile (Fuse) (Fusibles) 500 mA 5x20				
TC	Trasformatore (Transformer) (Transformador) Pr.400/Sec.6				
SP	Telepressostato (Pressure switch with cut out)	4-6,3	6,3-10	6,3-10	
L	Bobina di minima (Min Magnet coil) per telepressostato 400 V				
D	Control elettronico temperatura (Electronic Controller) (Controlador electrónico)				
ST	Sonda termica (Temperature Probe) (Prueba termica) per controllo elettronico				
PT	Contaore (Hours Counter) (Cuentahoras) 230 Vac				
YV	Elettrovalvola (Solenoid Valve) NA 230 Vac				
D3	LED Lampeggio (Led Flashing) (Led Flashes) segnalazione allarmi				
	Sezione cavo motore - Motor cable section - Secc. cable motor (mmq)	4G1,5	4G1,5	4G2,5	

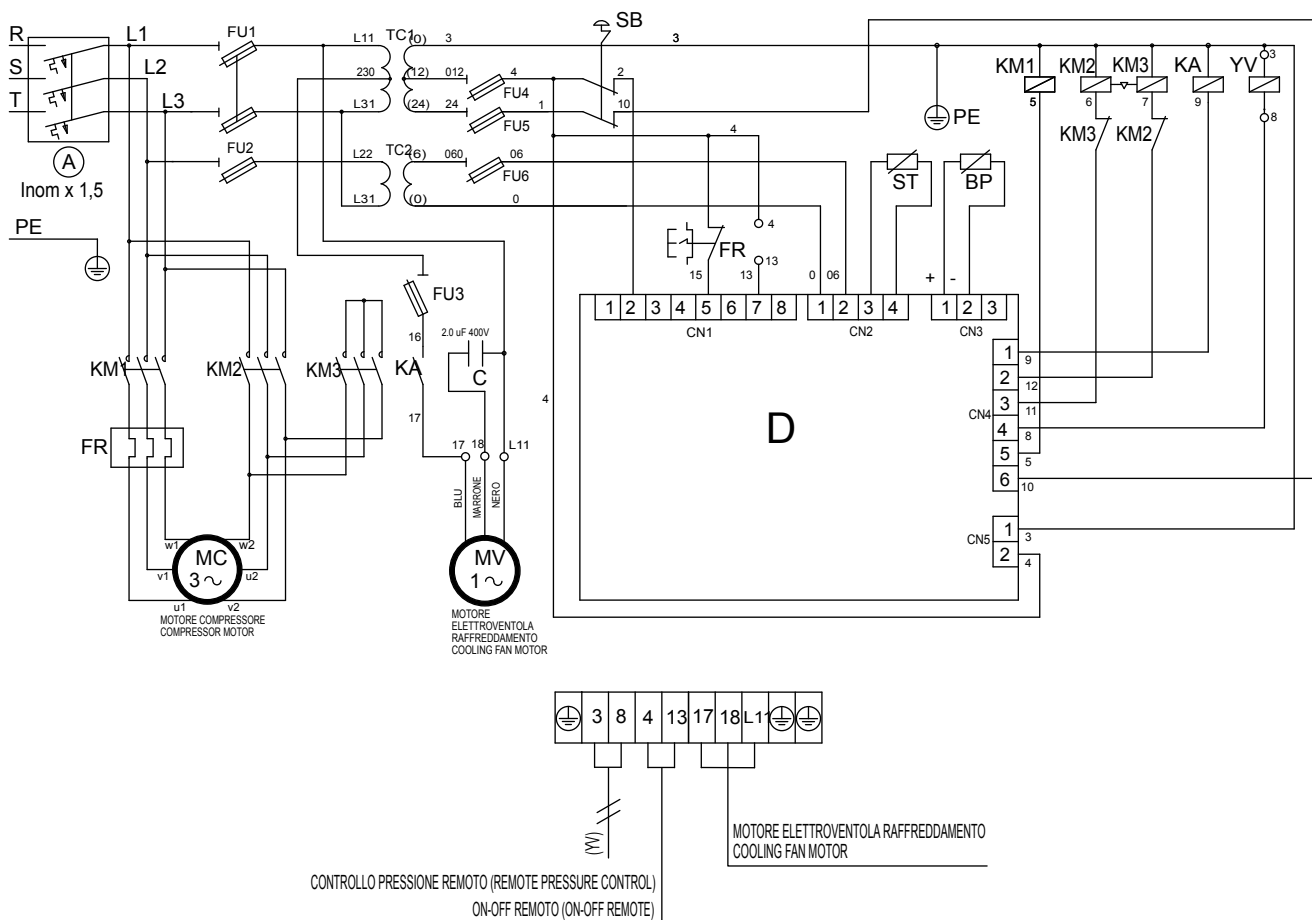
# WIRING DIAGRAM - SE Version / Mech Single-phase

A = I<sub>nom</sub> x 1,5



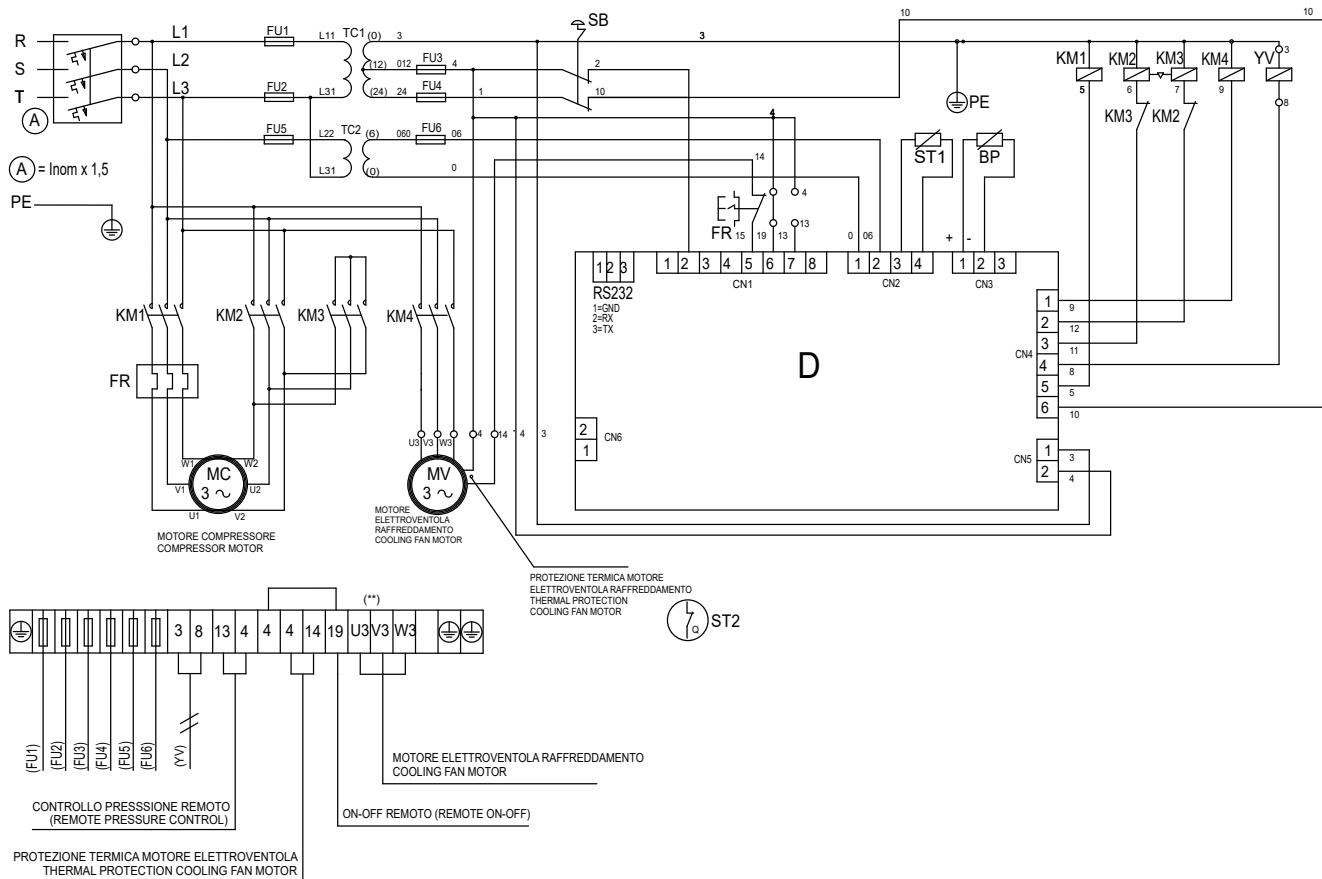
Rif.-Ref.	Denominazione-Description-Denomination	2,2 kW			
FU1-FU2-FU3	Fusibili (Fuses) (Fusibles) 2A 5x20				
SP	Telepressostato (Pressure switch with cut out) (Presostato remoto)	10-16			
L	Bobina di minima (Min Magnet coil) (Bobina de mínima) per telepressostato 230 V				
D	Control elettronico temperatura (Electronic Controller) (Controlador electrónico)				
ST	Sonda termica per controllo elettronico (Temperature Probe) (Prueba termica)				
PT	Contaore (Hours Counter) (Cuentahoras) 230 Vac				
YV	Elettrovalvola (Solenoid Valve) (Electroválvula) NA 230 Vac				
D3	LED Lampeggio (Led Flashing) (Led Flashes) segnalazione allarmi				
	Sezione cavo motore - Motor cable section - Secc. cable motor (mmq)	3G2,5			

# WIRING DIAGRAM - TA / Tronic Version



Rif.-Ref.	Denominazione-Description-Denomination	4kW	
		230v	400v
TC1	Trasformatore Pr.0/230/400 Sec.0/12/24 100VA (TRANSFORMER)		
TC2	Trasformatore Pr.0/230/400 Sec.0/6 (TRANSFORMER)		
SB	Pulsante di emergenza + n.2 NC 230V 10A (EMERGENCY BUTTON)		
FU1	Fusibili ceramici 10.3 x 38 GG 4A 500V (CERAMIC FUSES)		
FU2.FU3	Fusibili ceramici 10.3 x 38 GG 1A 500V (CERAMIC FUSES)		
FU4.FU5	Fusibili ceramici 10.3 x 38 GG 2A 500V (CERAMIC FUSES)		
FU6	Fusibile ceramico 10.3 x 38 GG 0.5A 500V (CERAMIC FUSES)		
KM1	Contattore linea bob.24 V 50/60 Hz (LINE CONTACTOR)	5,5 kW(*)	3 kW(*)
KM2	Contattore triangolo bob.24 V 50/60 Hz (DELTA CONTACTOR)	5,5 kW(*)	3 kW(*)
KM3	Contattore stella bob.24 V 50/60 Hz (STAR CONTACTOR)	4kW(*)	3 kW(*)
KA	Relè ausiliario 2 contatti bob. 24 Vac (AUXILIARY RELAY)		
FR	Relè termico - reset MAN/AUT - 1L+1R (THERMAL RELAY)	(6-10)	(4-6)
YV	Elettrovalvola 24 VAC 50/60 Hz 8VA (SOLENOID VALVE)		
BP	Trasduttore di pressione 0-16 Bar 4-20mA (PRESSURE PROBE)		
D	Controllore elettronico 12VAC (ELECTRONIC CONTROLLER)		
ST	Sonda termica (TEMPERATURE PROBE)		
MV	Motore E. Ventola raff. 230/1/50-60 Hz (COOLING FAN MOTOR)	70 W	70 W
	Sez. cavo motore (MOTOR CABLE CROSS-SECTION) (mmq)	7G1,5	7G1,5
	1) Sez. ausiliari = 1mmq 2) (*) = 400V AC3 3) (**) = 400 V ALIM. - NERO-BLU-MARRONE PONT. GIALLO-VERDE-BIANCO	230V ALIM. - (MARRONE-BIANCO) / (BLU-VERDE)/( NERO-GIALLO)	

# WIRING DIAGRAM - TA / Tronic Version



Rif.-Ref.	Denominazione-Description-Denomination	5,5 kW	
		230v	400v
TC1	Trasformatore Pr.0/230/400 Sec.0/12/24 (TRANSFORMER)	100 VA	100 VA
TC2	Trasformatore Pr.0/230/400 Sec.0/6 (TRANSFORMER)		
SB	Pulsante di emergenza + n.2 NC 230V 10A (EMERGENCY BUTTON)		
FU1.FU2	Fusibili ceramici 2A 500V (CERAMIC FUSES)		
FU3.FU5	Fusibili ceramici 1A 500V (CERAMIC FUSES)		
FU4	Fusibili ceramici 4A 500V (CERAMIC FUSES)		
FU6	Fusibile ceramico 0,5A 500V (CERAMIC FUSES)		
KM1	Contattore linea bob.24 V 50/60 Hz (LINE CONTACTOR)	7,5 kW(*)	5,5 kW(*)
KM2	Contattore triangolo bob.24 V 50/60 Hz (DELTA CONTACTOR)	7,5 kW(*)	5,5 kW(*)
KM3	Contattore stella bob.24 V 50/60 Hz (STAR CONTACTOR)	5,5 kW(*)	4 kW(*)
KM4	Contattore E.Ventola raffr. bob.24 V 50/60 HZ (COOLING FAN CONTACTOR)	3 kW(*)	3 kW(*)
FR	Relè termico - reset MAN/AUT - 1L+1R (THERMAL RELAY)	(9-12)	(6-10)
YV	Elettrovalvola 24 VAC 50/60 Hz 8VA (SOLENOID VALVE)		
BP	Trasduttore di pressione 0-16 Bar 4-20mA (PRESSURE PROBE)		
D	Controllore elettronico 12VAC (ELECTRONIC CONTROLLER)		
ST1	Sonda termica (TEMPERATURE PROBE)		
MV	Motore E.Ventola raff. 230/400V 50/60 Hz (COOLING FAN MOTOR)		
	Sez. cavo motore (MOTOR CABLE CROSS-SECTION) (mmq)	7G1,5	7G1,5
	1) Sez. ausiliari = 1mmq 2) (*) = 400V AC3 3) (**) = 400 V ALIM. - NERO-BLU-MARRONE - POWER SUPPLY: BLACK-BLUE-BROWN PONT. GIALLO-VERDE-BIANCO - JOIN IN: YELLOW-GREEN-WHITE	230V ALIM. - (MARRONE-BIANCO) / (BLU-VERDE)/(NERO-GIALLO) POWER SUPPLY: (BROWN-WHITE) / (BLUE-GREEN) (BLACK-YELLOW)	

