

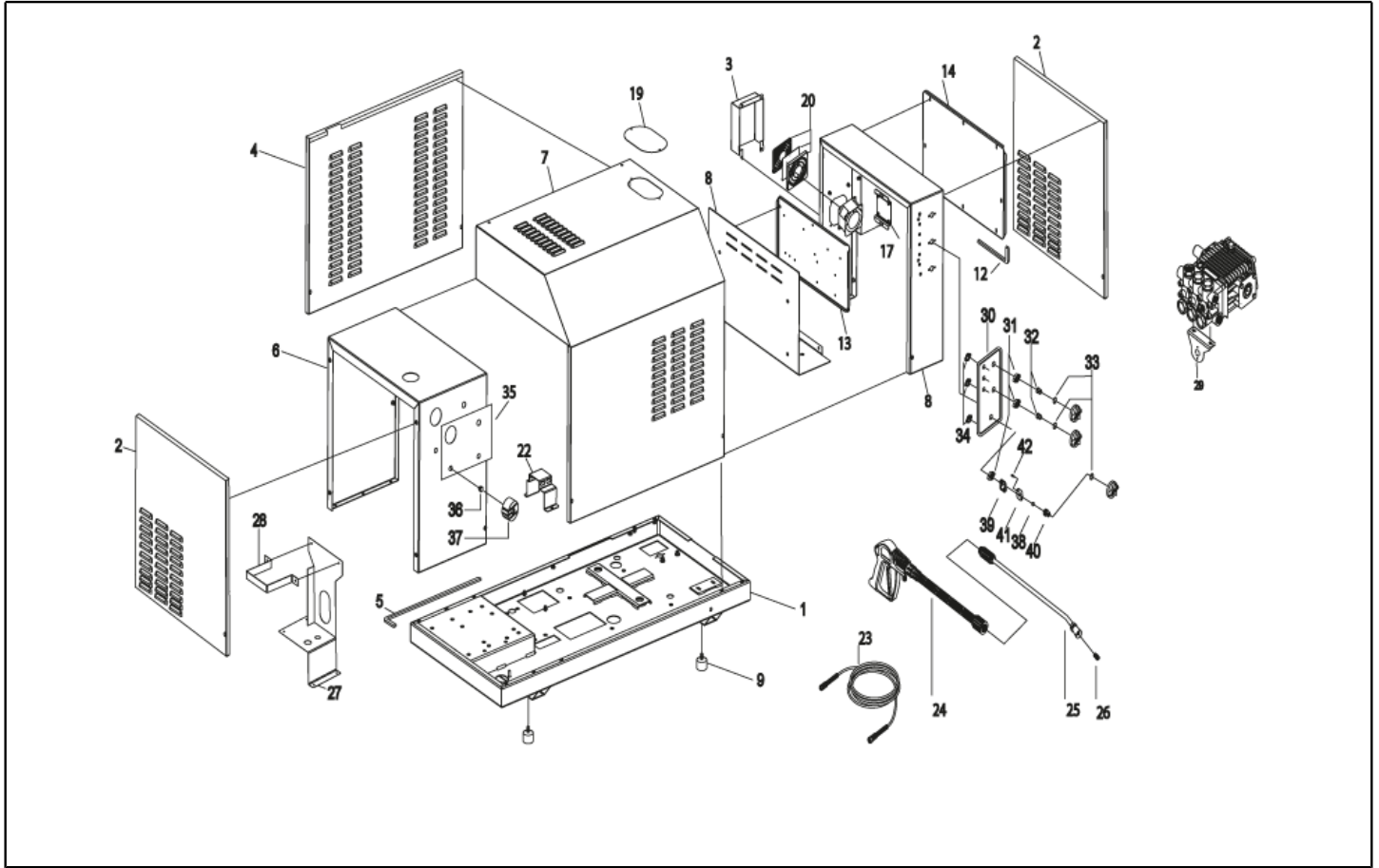


**IPC**

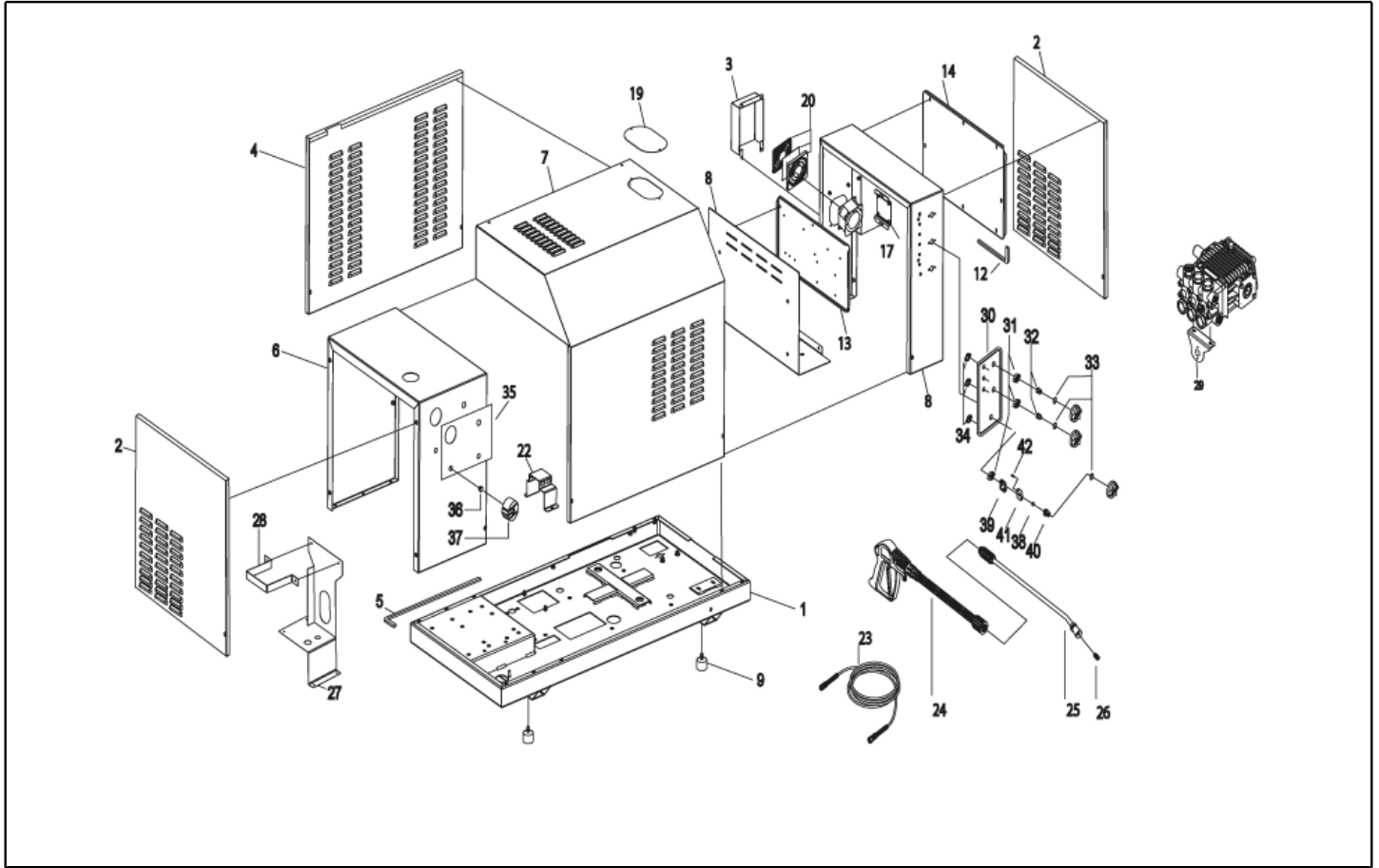
**Spare parts list**

Ref: IDAC41136

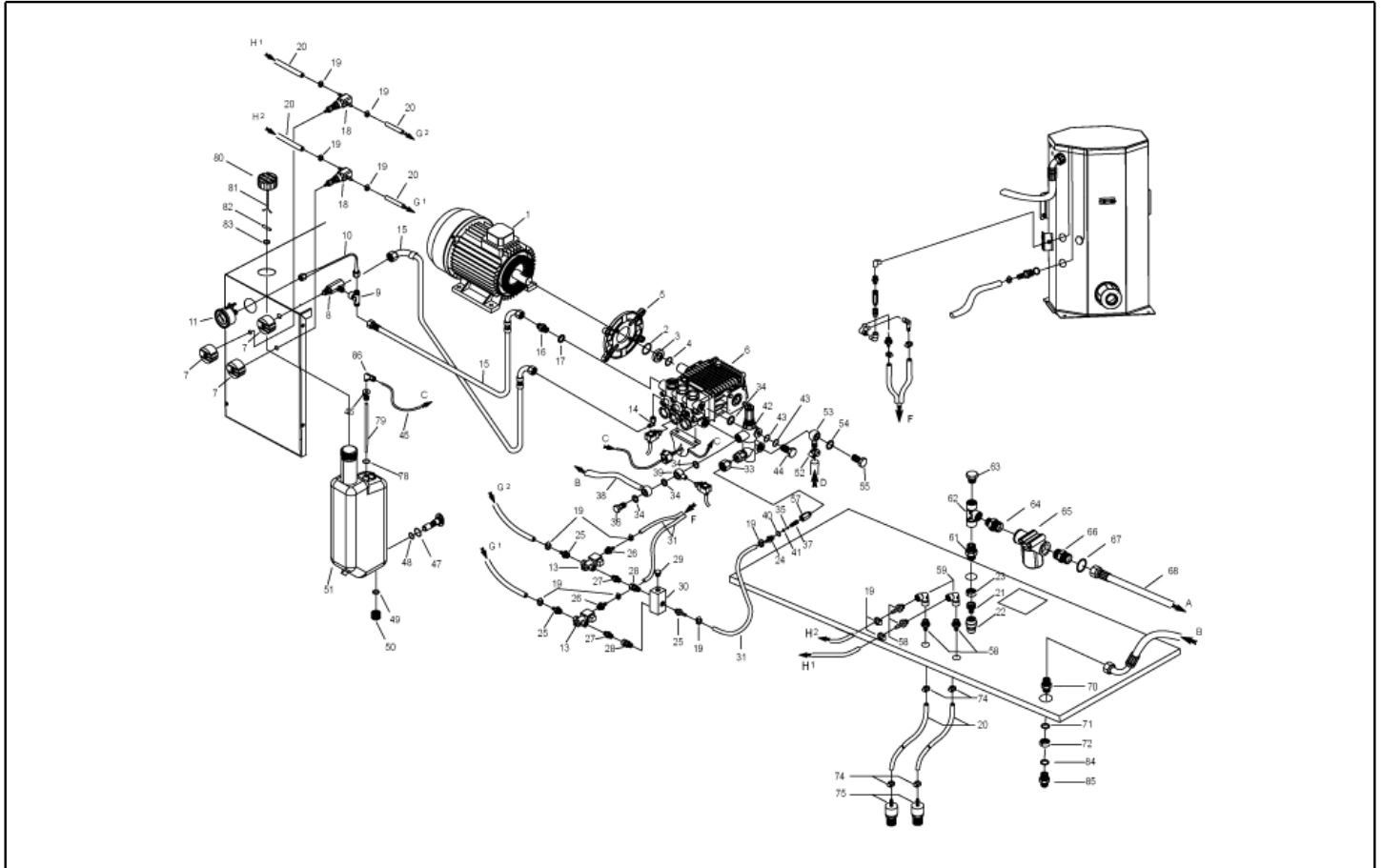
Model: H.P. CLEANER IWD-E D1712P36 T400/50IPC



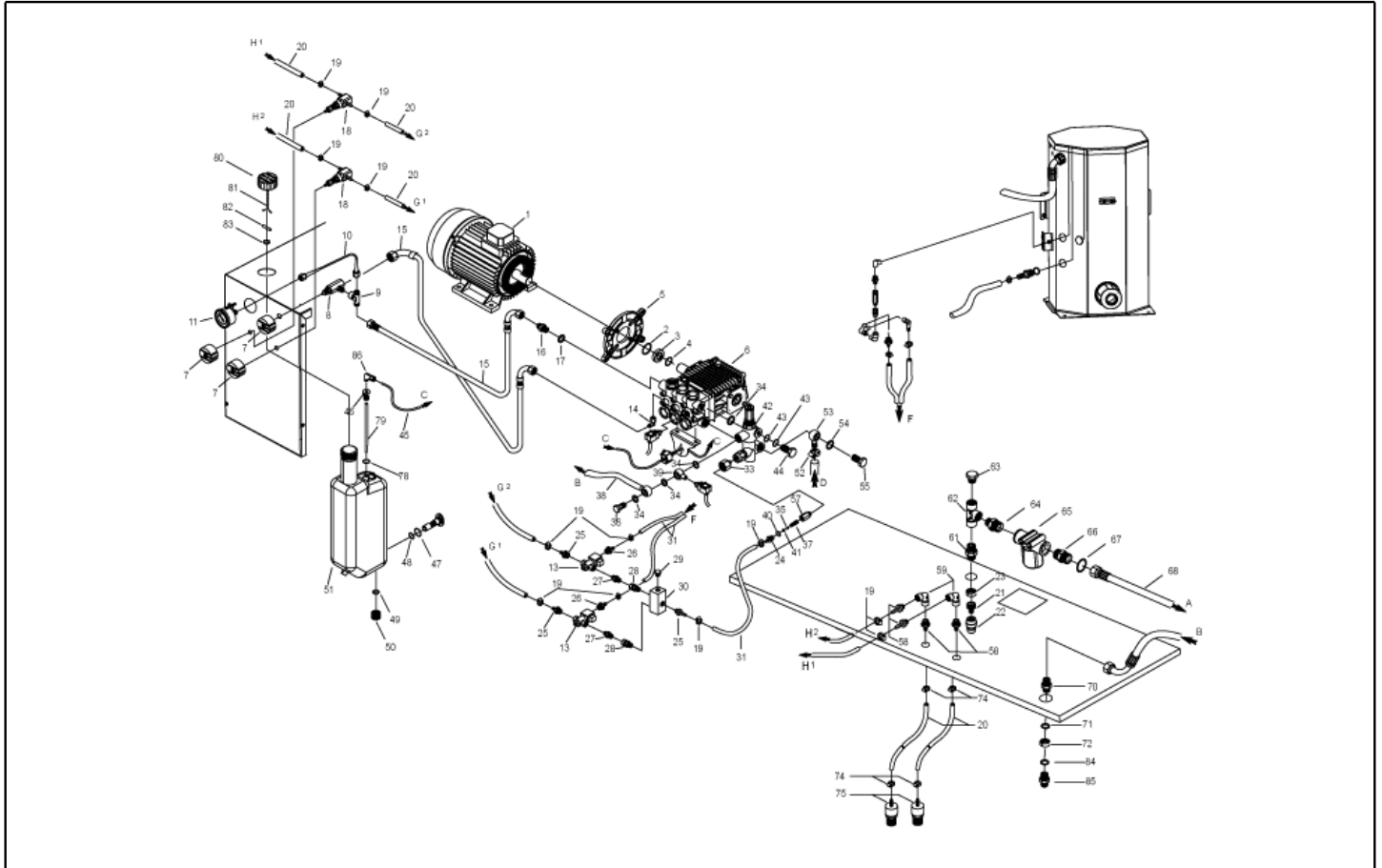
| Ref. K | Part n.     | Part n. 2 | Description                              | Quantity | Validity   |    | Price |
|--------|-------------|-----------|--|----------|------------|----|-------|
|        |             |           |  |          | From       | To |       |
| 0001   | LAFN41205   |           | BASE IDROWAND-E D/2 BK                   | 1,00     |            |    | --    |
| 0002   | LAFN48165   |           | LAT. PANEL IWD/2 DX-SX L.20 INX          | 2,00     |            |    | --    |
| 0003   | LAFN41213   |           | PROTECTION IWD-E IX                      | 1,00     |            |    | --    |
| 0004   | LAFN48162   |           | BACK PANEL IWD/2 INX                     | 1,00     |            |    | --    |
| 0005   | GUVR13437   |           | EDGE H=10                                | 0,12     |            |    | --    |
| 0006   | LAFN41199   |           | BAND IWD-E LT.SX INX                     | 1,00     |            |    | --    |
| 0007   | LAFN48163   |           | ANT. PANEL IWD/2 -40MT INX               | 1,00     |            |    | --    |
| 0008   | LAFN41200   |           | BAND IWD-E LT.DX INX                     | 1,00     |            |    | --    |
| 0009   | ABGO33796   |           | VIBRATION DAMP. 40X30-M 8X12+M 8F-60+5SH | 4,00     |            |    | --    |
| 0012   | GUGO27129   |           | JOINT 10X3                               | 1,50     |            |    | --    |
| 0013   | LAFN41201   |           | PLATE IWD-E ZC                           | 1,00     |            |    | --    |
| 0014   | LAFN41203   |           | BOX COVER IWD-E INX                      | 1,00     |            |    | --    |
| 0018   | VTVR48190   |           | BAR M 6X190 IWD/2                        | 2,00     |            |    | --    |
| 0019   | LAFN41204   |           | PLUGGING IWD-E/IX                        | 1,00     |            |    | --    |
| 0020   | FTDP40023   |           | AIR FILTER 80X80X10 PAM                  | 1,00     |            |    | --    |
| 0020   | GUGO48318   |           | GASKET D. 9- 14 X 1 NBR                  | 1,00     |            |    | --    |
| 0021   | MPVR89723   |           | GREY KNOB P176-MR C/F.FS.                | 3,00     |            |    | --    |
| 0022   | LAFN41197   |           | FILTER BRACKET IWD-E BK.                 | 1,00     |            |    | --    |
| 0023   | TBAP40237   |           | H.P. HOSE R1 MT 10 1/4" C/2 IRV AM       | 1,00     |            |    | --    |
| 0024   | IPPR40025   |           | GRIP G 6000+P.330 +M22 SW.M 2V           | 1,00     |            |    | --    |
| 0025   | LCPR40087   |           | EXTENSION P 70 -P20.IX700 M22 M          | 1,00     |            |    | --    |
| 0026   | UGLN49986   |           | NOZZLE LECH 1/4 1504                     | 1,00     |            |    | --    |
| 0027   | LAFN41195   |           | SUPPORT BRACKET IWD-E BK.                | 1,00     |            |    | --    |
| 0028   | LAFN41196   |           | BRACKET IWD-E A.CLC.BK.                  | 1,00     |            |    | --    |
| 0029   | LAFN41172   |           | SUPPORT A.CALC. PW-E100 ZC               | 1,00     |            |    | --    |
| 0029   | MPVR44324   |           | SUPPORT NM1-P105 PVC                     | 1,00     |            |    | --    |
| 0030   | ETET41414   |           | LABEL IWD-E ELETT.                       | 1,00     |            |    | --    |
| 0031   | MPVR23487   |           | THICKNESS THERM. -INT. TUV               | 3,00     |            |    | --    |
| 0032   | MPVR23482   |           | SWITCH TANG TEC. TUV                     | 2,00     |            |    | --    |
| 0033   | GUGO25527   |           | O-RING D. 14 X 3 NBR 70SH                | 3,00     |            |    | --    |
| 0034   | MEVR40281   |           | SPACER M 4 X 7 L= 8 PA6.6                | 3,00     |            |    | --    |
| 0035   | ETET41420   |           | LABEL IWD-E IDR. PC                      | 1,00     |            |    | --    |
| 0036   | LAFN40923   |           | INSERT CH.13 L7 OT.                      | 1,00     |            |    | --    |
| 0037   | MPVR74070   |           | INSERT FOR STEAM CRANK                   | 2,00     |            |    | --    |
| 0038   | S LAFN40916 |           | BUSHING D. 6- 9 L= 8 BZ.SINT.            | 1,00     | 01/11/2016 |    | --    |
| 0039   | S MPVR41903 |           | THICKNESS TERM.IM.PA66                   | 1,00     |            |    | --    |
| 0040   | S MPVR40843 |           | TAIL PIECE THERM.PW-H PL.                | 1,00     | 01/11/2016 |    | --    |
| 0041   | S LAFN40763 |           | PLATE PW-H28 POT. IX                     | 1,00     |            |    | --    |
| 0042   | S VTVR40014 |           | PIN CH. 7 X 10 M4M/M4F NIK.              | 2,00     |            |    | --    |



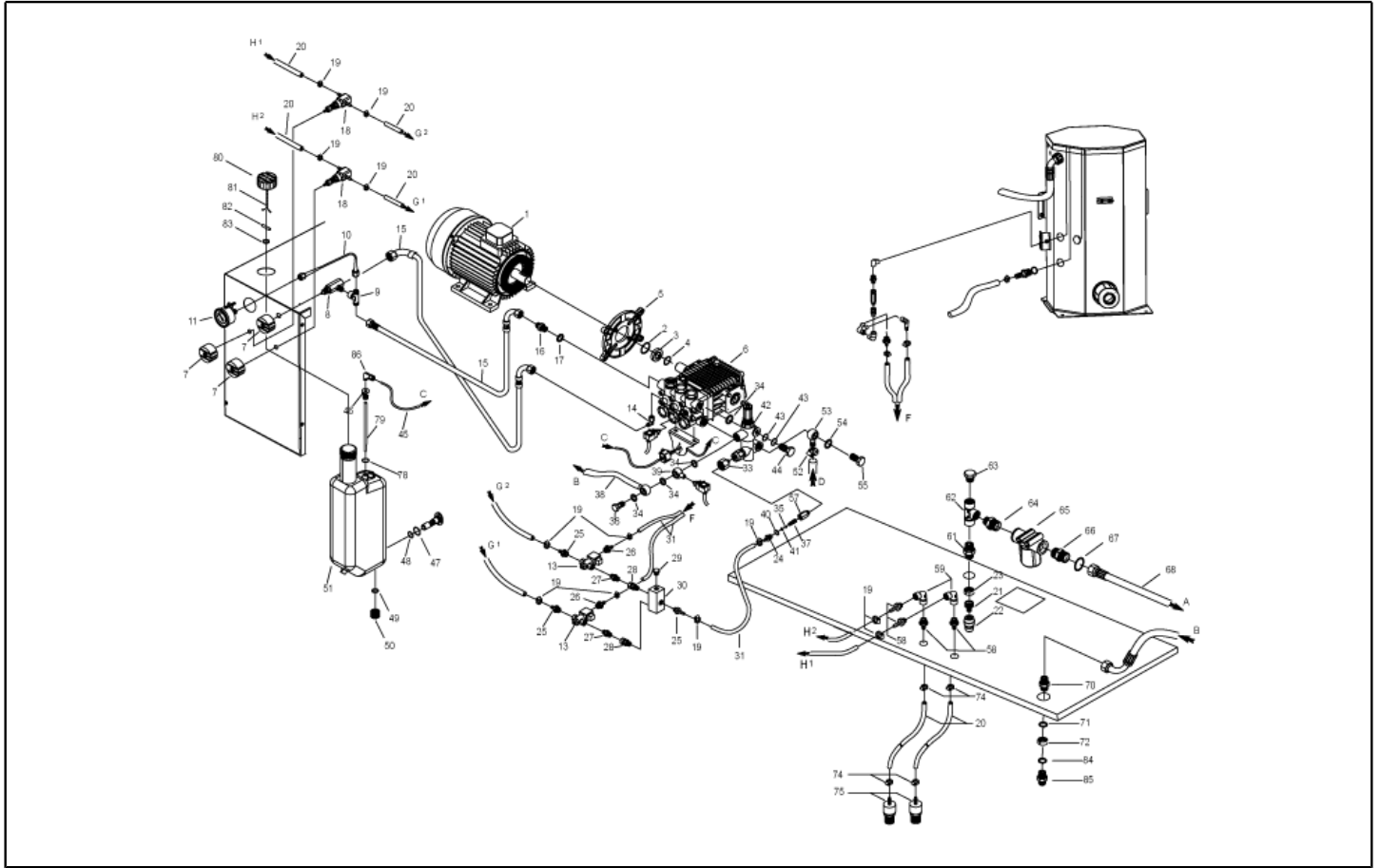
| Ref. Part n. | Part n. 2 | Description                   | Reference                    | Price |
|--------------|-----------|-------------------------------|------------------------------|-------|
| POT          | KTRI40415 | KIT P 20- 4 POT. VSH P11 PW-H | 0038 0039 0040 0041 0042 POT | --    |



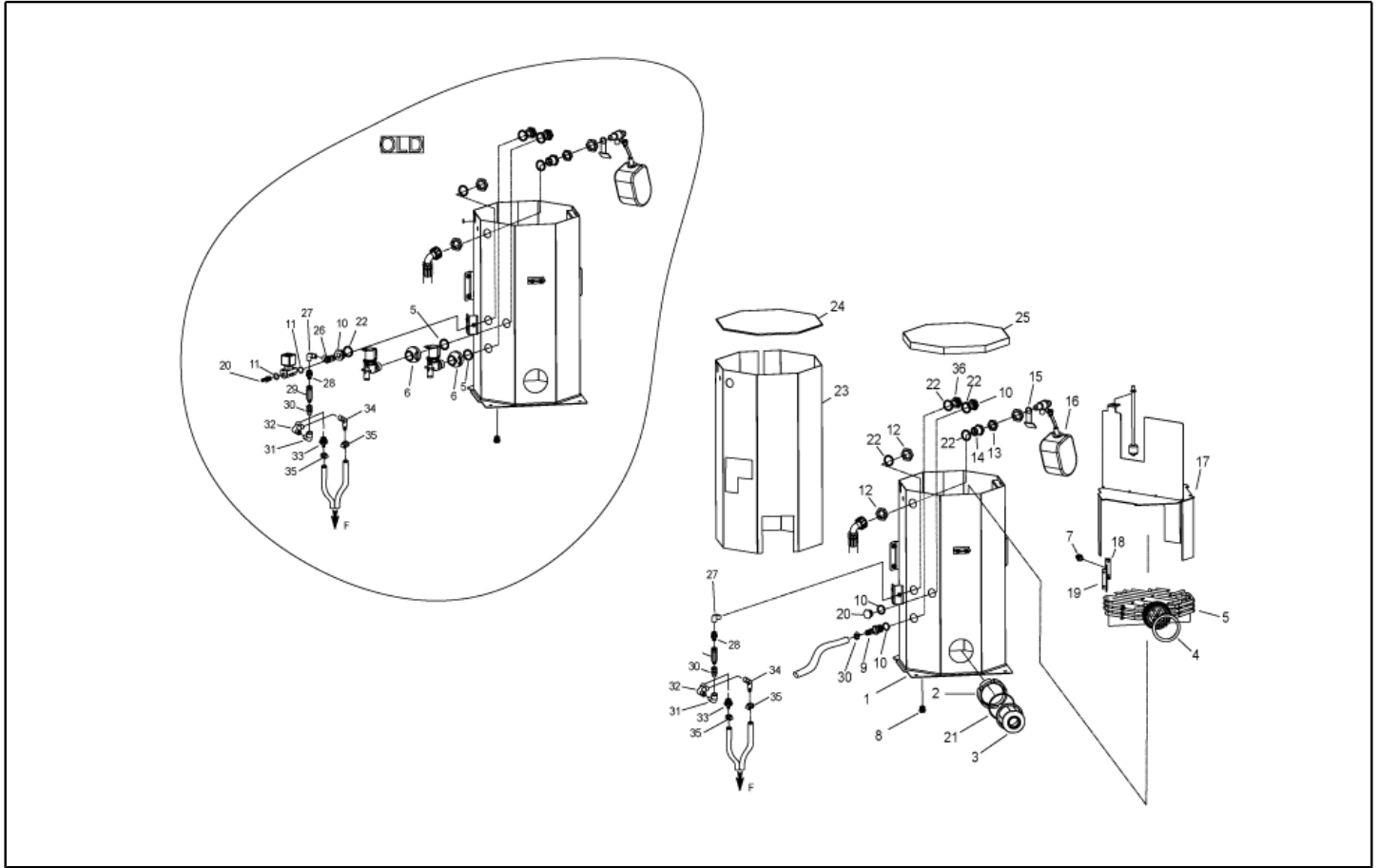
| Ref. K | Part n.   | Part n. 2 | Description                           | Quantity | Validity   |            | Price |
|--------|-----------|-----------|---------------------------------------|----------|------------|------------|-------|
|        |           |           |                                       |          | From       | To         |       |
| 0001   | MOTR40033 |           | 3PH MOTOR AC HP 7.5 2/460-5/60 RR/K   | 1,00     |            |            | --    |
| 0002   | GUGO21339 |           | O-RING D. 29.82 X 2.62 VIT 70SH       | 1,00     |            |            | --    |
| 0003   | RCDS25578 |           | BUSHING IP WW141 OT.                  | 1,00     |            |            | --    |
| 0004   | GUGO21337 |           | O-RING D. 25.07 X 2.62 VIT 70SH       | 1,00     |            |            | --    |
| 0005   | MFVR21309 |           | COUNTERFLANGE MEC 90-100-112          | 1,00     |            |            | --    |
| 0006   | PPAP40162 |           | PUMP RRA 4G.30 SX N C/AC 70°          | 1,00     |            |            | --    |
| 0007   | MPVR40584 |           | KNOB                                  | 3,00     |            |            | --    |
| 0008   | VVSF40022 |           | PRESSURE VALVE D.1.3                  | 1,00     |            |            | --    |
| 0009   | RCVR26495 |           | CONNECTOR T 1/4 M/F/M A17             | 1,00     |            |            | --    |
| 0010   | TBAP40004 |           | POLYAMIDE HOSE L=260 1/4 F-F          | 1,00     |            |            | --    |
| 0011   | MNMN49621 |           | PRESSURE GAUGE 0-250 D.50 INOX        | 1,00     |            |            | --    |
| 0013   | MEEV14389 |           | BODY 1/4"SCEM PM139LV                 | 2,00     |            |            | --    |
| 0014   | RCVR62669 |           | ELBOW 1/4M - 1/2M H.P.                | 1,00     |            |            | --    |
| 0015   | TBAP48180 |           | HOSE-FITTING 1/4 R1 L=480 0-90° 1/4 F | 2,00     |            |            | --    |
| 0016   | RCDS00608 |           | NIPPLE 3/8 - 1/4 SV                   | 1,00     |            |            | --    |
| 0017   | VTRS00548 |           | WASHER D.17,5X23X1,5 (3/8)RM          | 1,00     |            |            | --    |
| 0018   | RCGR40025 |           | DETERGENT TAP MB-SK 2x D. 4-6.5       | 2,00     |            |            | --    |
| 0019   | FSVR00427 |           | CLAMP D. 12 CLIC 66-110               | 8,00     |            |            | --    |
| 0019   | FSVR00427 |           | CLAMP D. 12 CLIC 66-110               | 6,00     |            |            | --    |
| 0020   | TBBP00051 |           | DETERGENT HOSE D. 6-12                | 1,60     |            |            | --    |
| 0020   | TBBP00051 |           | DETERGENT HOSE D. 6-12                | 0,60     |            |            | --    |
| 0020   | TBBP00051 |           | DETERGENT HOSE D. 6-12                | 0,80     |            |            | --    |
| 0020   | TBBP00051 |           | DETERGENT HOSE D. 6-12                | 2,00     |            |            | --    |
| 0021   | RCVR29602 |           | CONNECTOR D. 1/2"-5/8" PTC            | 1,00     |            |            | --    |
| 0022   | RCVR29600 |           | SOCKET PTC 3/4 F                      | 1,00     |            |            | --    |
| 0023   | RCVR59738 |           | LOCKNUT G 3/4                         | 1,00     |            |            | --    |
| 0024   | RCDS10546 |           | VALVE SEAT 1/4M + PG. D.3-7.5 OTT     | 1,00     |            |            | --    |
| 0025   | RCDS00626 |           | HOSE FITTING 1/4 M D. 5- 7            | 3,00     |            |            | --    |
| 0026   | RCDS29082 |           | HOSE FITTING 1/8 F D. 7 EL.KS 610     | 2,00     |            |            | --    |
| 0027   | RCDS00607 |           | NIPPLE 1/4 - 1/4 SV                   | 2,00     |            |            | --    |
| 0028   | RCVR00562 |           | SWIVEL RACCORD 1/4 M/F                | 2,00     |            |            | --    |
| 0029   | RCDS40307 |           | CAP 1/4X 9 M C/F.d.7                  | 1,00     | 01/10/2020 |            | --    |
| 0030   | RCDS48462 |           | BLOCK 4V. 4X1/4F IWD-2V.              | 1,00     |            |            | --    |
| 0031   | TBCO06945 |           | L.P. HOSE D. 6-12 10BAR C.PRESS       | 0,53     |            |            | --    |
| 0031   | TBCO06945 |           | L.P. HOSE D. 6-12 10BAR C.PRESS       | 0,57     |            |            | --    |
| 0031   | TBCO06945 |           | L.P. HOSE D. 6-12 10BAR C.PRESS       | 0,37     |            |            | --    |
| 0031   | TBCO06945 |           | L.P. HOSE D. 6-12 10BAR C.PRESS       | 0,92     |            | 30/09/2020 | --    |
| 0032   | TBBP40019 |           | L.P. HOSE D.15.8-24 EPDM 20 BAR       | 0,68     |            |            | --    |
| 0032   | TBBP40019 |           | L.P. HOSE D.15.8-24 EPDM 20 BAR       | 0,65     |            | 30/09/2020 | --    |
| 0033   | RCVR02606 |           | REDUCTION 1/2-1/4 M/F                 | 1,00     |            |            | --    |
| 0034   | VTRS00548 |           | WASHER D.17,5X23X1,5 (3/8)RM          | 3,00     |            |            | --    |
| 0034   | VTRS00548 |           | WASHER D.17,5X23X1,5 (3/8)RM          | 1,00     |            |            | --    |
| 0035   | SFVR04274 |           | BALL D. 7/32                          | 1,00     |            |            | --    |
| 0036   | RCDS14384 |           | SCREW G 3/8 VSP 180                   | 1,00     |            |            | --    |



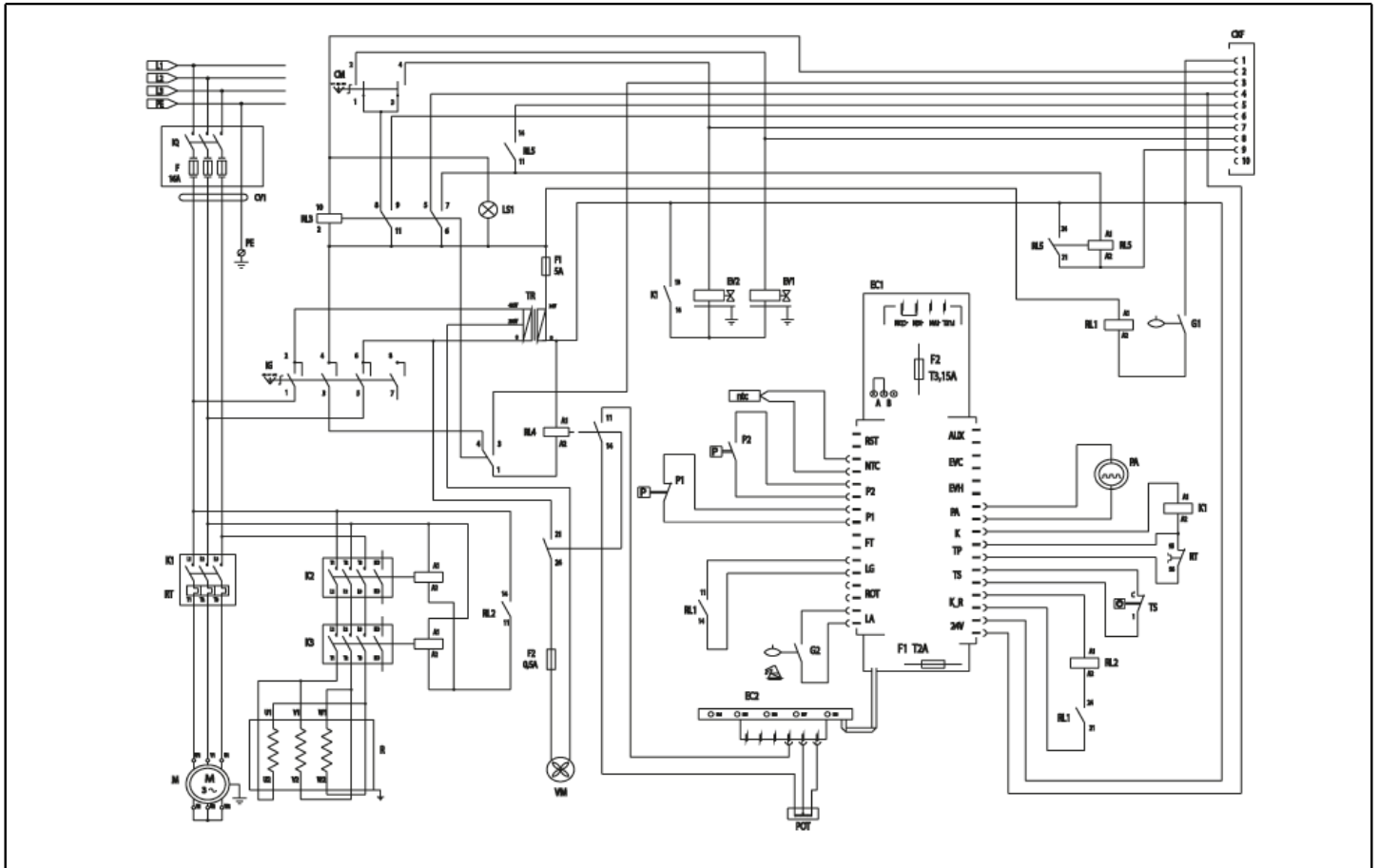
| Ref. K | Part n.   | Part n. 2 | Description                           | Quantity | Validity   |            | Price |
|--------|-----------|-----------|---------------------------------------|----------|------------|------------|-------|
|        |           |           |                                       |          | From       | To         |       |
| 0037   | MLML21505 |           | SPRING D. 8 X5 X0.3                   | 1,00     |            |            | --    |
| 0038   | TBAP40242 |           | HOSE-FITTING 5/16 R1 3/8F90°-3/8O.35° | 1,00     |            |            | --    |
| 0039   | RCDS40692 |           | CONNECTOR O. 3/8 - G1/4F L=28.5       | 1,00     |            |            | --    |
| 0040   | GUGO01036 |           | O-RING D. 10.82 X 1.78 NBR 70SH       | 1,00     |            |            | --    |
| 0041   | GUGO01055 |           | O-RING D. 5.28 X 1.78 VIT 70SH        | 1,00     |            |            | --    |
| 0042   | VVAZ40100 |           | VALVE VRF-2 AR-R AC Vit.S/I.RG        | 1,00     |            |            | --    |
| 0043   | GUGO03510 |           | O-RING D. 12.37 X 2.62 NBR 70SH       | 2,00     |            |            | --    |
| 0044   | RCDS40172 |           | SCREW 3/8 VRF-2 OT 4F.                | 1,00     |            |            | --    |
| 0045   | TBBP00058 |           | L.P. HOSE D. 4- 7                     | 1,00     |            |            | --    |
| 0046   | RCDS40205 |           | CONNECTOR H2O2 G1/8F +PG.7 PVC BK.    | 1,00     |            |            | --    |
| 0047   | GUGO01197 |           | O-RING D. 22.22 X 2.62 NBR 70SH       | 1,00     |            |            | --    |
| 0048   | GUGO01056 |           | O-RING D. 18.72 X 2.62 NBR 70SH       | 1,00     |            |            | --    |
| 0049   | GUGO11489 |           | GASKET D.22X1,5                       | 1,00     |            |            | --    |
| 0050   | PVVR11806 |           | DISCHARGE CAP FLL                     | 1,00     |            |            | --    |
| 0051   | MPVR40594 |           | WATER TANK STM SG-50 PE               | 1,00     |            |            | --    |
| 0052   | FSVR00431 |           | CLAMP D. 16-25                        | 2,00     |            |            | --    |
| 0053   | RCDS40301 |           | CONNECTOR O. 1/2 - 7.0-16 OT.         | 1,00     | 01/10/2020 |            | --    |
| 0053   | RCDS40304 |           | CONNECTOR O. 1/2 - 8.0-16 OT.         | 1,00     |            | 30/09/2020 | --    |
| 0054   | VTRS00549 |           | WASHER D.21,5X27X1,5 (1/2) RM         | 3,00     |            |            | --    |
| 0057   | RCDS46072 |           | VALVE BODY N/R 1/4F-1/4 P176 OT       | 1,00     |            |            | --    |
| 0058   | RCDS00626 |           | HOSE FITTING 1/4 M D. 5- 7            | 4,00     |            |            | --    |
| 0061   | RCDS48469 |           | NIPPLE 3/4 - 1/2 CB D.12.0            | 1,00     |            |            | --    |
| 0062   | RCVR00670 |           | TEE UNION 1/2 F/F/F                   | 1,00     |            |            | --    |
| 0063   | RCDS01091 |           | CAP 1/2X10 M                          | 1,00     |            |            | --    |
| 0064   | RCDS48179 |           | NIPPLE 3/4 - 1/2 D.15 L.70 OT.        | 1,00     |            |            | --    |
| 0065   | FTAC40015 |           | WATER FILTER 3/4 FF 100MS 55L/1 TC    | 1,00     |            |            | --    |
| 0066   | RCVR40006 |           | NIPPLE 3/4 - 3/4 D.18 L=60 PPL        | 1,00     |            |            | --    |
| 0067   | GUGO01043 |           | O-RING D. 25.07 X 2.62 NBR 70SH       | 1,00     |            |            | --    |
| 0068   | TBBP40151 |           | L.P. HOSE L= 950 3/4F90°-3/4F 0°      | 1,00     |            |            | --    |
| 0070   | RCIN09348 |           | MALE COUPLING 3/8MA L=32              | 1,00     |            |            | --    |
| 0071   | VTRS11876 |           | WASHER D.27 X34 X1,5 (3/4)COPPER      | 1,00     |            |            | --    |
| 0071   | VTRS11876 |           | WASHER D.27 X34 X1,5 (3/4)COPPER      | 5,00     |            | 30/09/2020 | --    |
| 0072   | RCVR59738 |           | LOCKNUT G 3/4                         | 1,00     |            |            | --    |
| 0074   | FSVR15255 |           | CLAMP D. 8-12                         | 2,00     |            |            | --    |
| 0075   | FTDT04648 |           | FILTER PG. D.6 PLS                    | 2,00     |            |            | --    |
| 0076   | TBBP85832 |           | L.P. HOSE D. 5- 8                     | 1,20     |            |            | --    |
| 0078   | GUGO28327 |           | O-RING D. 7.51 X 3.53 NBR 70SH        | 1,00     |            |            | --    |
| 0079   | RCDS20136 |           | SUCTION L= 355 C.                     | 1,00     |            |            | --    |
| 0080   | MPVR40611 |           | TANK CAP MHDS-SK BK. C/F.             | 1,00     |            |            | --    |
| 0081   | VTVR40026 |           | SMALL CHAIN 13MG. INX L=220 G.V-MSC.  | 1,00     |            |            | --    |
| 0082   | LAFN40498 |           | PIN D. 6 X 12-15 IX                   | 1,00     |            |            | --    |
| 0083   | VTRS07728 |           | WASHER D. 6 INX                       | 1,00     |            |            | --    |
| 0084   | VTRS00548 |           | WASHER D.17,5X23X1,5 (3/8)RM          | 1,00     |            |            | --    |
| 0085   | RCDS40298 |           | SLEEVE 3/4-3/8 M-M/F OT.              | 1,00     |            |            | --    |



| Ref. K | Part n.   | Part n. 2 | Description                       | Quantity | Validity |    | Price |
|--------|-----------|-----------|-----------------------------------|----------|----------|----|-------|
|        |           |           |                                   |          | From     | To |       |
| 0086   | RCVR40212 |           | CONNECTOR L 1/8" M CN D. 6/ 4 NIK | 1,00     |          |    | --    |

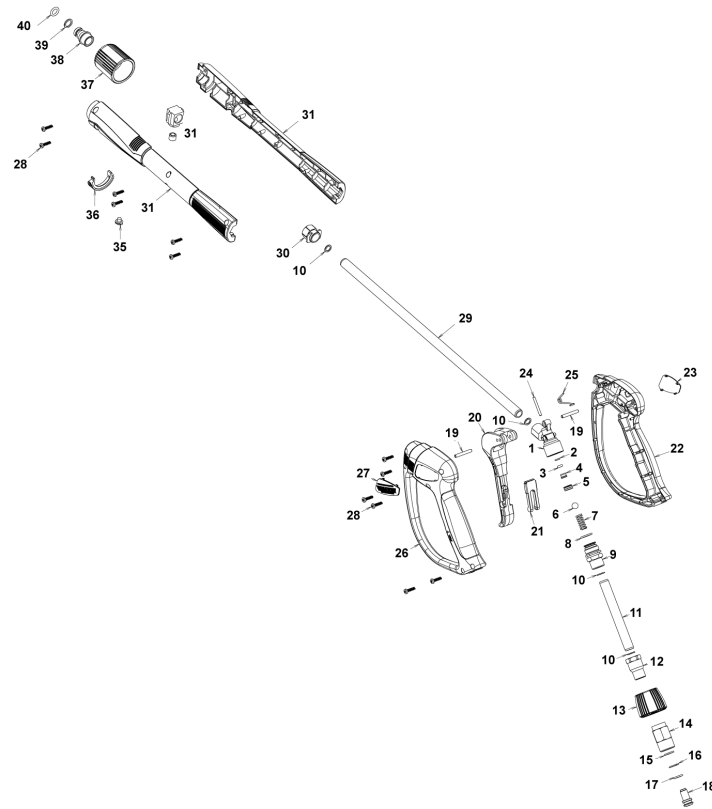


| Ref. K | Part n.   | Part n. 2 | Description                         | Quantity | Validity   |            | Price |
|--------|-----------|-----------|-------------------------------------|----------|------------|------------|-------|
|        |           |           |                                     |          | From       | To         |       |
| 0001   | LAFN41135 |           | CYLINDER PW-E100 INX.               | 1,00     |            | 14/02/2020 | --    |
| 0001   | LAFN41241 |           | CYLINDER IWD-E INX.                 | 1,00     | 15/02/2020 | 30/09/2020 | --    |
| 0001   | LAFN41283 |           | CYLINDER IWD-E INX. 2V.             | 1,00     | 01/10/2020 |            | --    |
| 0002   | RCDS40292 |           | RING NUT 2"1/2 CH.85 ZC.            | 1,00     |            |            | --    |
| 0003   | MPVR40991 |           | CAP PW-E100 PA6                     | 1,00     |            |            | --    |
| 0004   | GUVR40129 |           | GASKET D.72.5X88 X3 PTFE/E          | 1,00     |            |            | --    |
| 0005   | GUGO01050 |           | O-RING D. 32.93 X 3.53 NBR 70SH     | 2,00     |            | 30/09/2020 | --    |
| 0006   | RCDS40299 |           | CONNECTOR EL.V. G3/4F D.49 L.28 PA6 | 2,00     |            | 30/09/2020 | --    |
| 0007   | MEVR40254 |           | CONNECTOR G.1/4M D.6 TEF.           | 1,00     |            |            | --    |
| 0008   | RCVR40046 |           | CAP 1/4 M OT.NIK EI D. 6            | 1,00     |            |            | --    |
| 0009   | RCVR73008 |           | HOSE FITTING 1/2 D.17 454/A         | 1,00     | 01/10/2020 |            | --    |
| 0010   | RCVR40119 |           | REDUCTION M/F 3/4"-3/8" A4          | 2,00     |            |            | --    |
| 0013   | RCDS40105 |           | LOCKNUT G 3/8 ES.19 SP.4 OT         | 1,00     |            |            | --    |
| 0014   | RCDS40291 |           | RING NUT G 3/4 PW-E100 OT.          | 1,00     |            |            | --    |
| 0015   | LAFN41137 |           | PANEL PW-E100 INX                   | 1,00     |            |            | --    |
| 0016   | RCGR40023 |           | TAP G 3/8M D.8 OT. E100             | 1,00     | 20/07/2019 |            | --    |
| 0016   | RCGR40021 |           | BALL GL. 3/8 RM 100°C               | 1,00     |            |            | --    |
| 0016   | RCGR40020 |           | TAP G 3/8M D.8 OT.                  | 1,00     |            | 19/07/2019 | --    |
| 0017   | LAFN41132 |           | BULKWARD PW-E100 IX                 | 1,00     |            |            | --    |
| 0018   | LAFN41139 |           | SUPPORT PW-E100 IX                  | 1,00     |            |            | --    |
| 0019   | LAFN41140 |           | BRACKET NTC PW-E100 IX              | 1,00     |            |            | --    |
| 0021   | GUGO02261 |           | O-RING D. 71.12 X 2.62 NBR 70SH     | 1,00     |            |            | --    |
| 0022   | VTRS04931 |           | WASHER COPPER D.13X19X1.5           | 1,00     | 01/10/2020 |            | --    |
| 0023   | ITTE40014 |           | PROTECTION PW-E100 CIL.             | 1,00     |            |            | --    |
| 0024   | ITTE40015 |           | PROTECTION PW-E100 COP.             | 1,00     |            |            | --    |
| 0025   | LAFN41136 |           | COVER PW-E100 IX                    | 1,00     |            |            | --    |
| 0026   | RCVR40177 |           | CONNECTOR T 3/8 M/M/M O.NIK         | 1,00     |            | 30/09/2020 | --    |
| 0027   | RCVR00582 |           | ELBOW 3/8" F A9                     | 1,00     |            | 30/09/2020 | --    |
| 0028   | RCVR40188 |           | NIPPLE 3/8 - 1/4 CN NK.             | 1,00     |            |            | --    |
| 0029   | FTAC40016 |           | WATER FILTER 1/4 MF HP              | 1,00     |            |            | --    |
| 0030   | RCVR00562 |           | SWIVEL RACCORD 1/4 M/F              | 1,00     |            |            | --    |
| 0031   | RCVR00581 |           | ELBOW 1/4" F A9                     | 1,00     |            |            | --    |
| 0032   | RCVR85245 |           | CONNECTOR Y 1/4 F/M/F A24 NIK       | 1,00     |            |            | --    |
| 0033   | RCDS00626 |           | HOSE FITTING 1/4 M D. 5- 7          | 1,00     |            |            | --    |
| 0034   | RCVR00573 |           | ELBOW 1/4" M/F A10                  | 1,00     | 01/10/2020 |            | --    |
| 0035   | FSVR00427 |           | CLAMP D. 12 CLIC 66-110             | 2,00     |            |            | --    |
| 0036   | MEVR00244 |           | FAIR-LEAD D. 7-12 PVC               | 2,00     |            |            | --    |
| 0037   | RCVR40042 |           | REDUCTION 3/4-1/2 M/F NIK           | 1,00     | 01/10/2020 |            | --    |

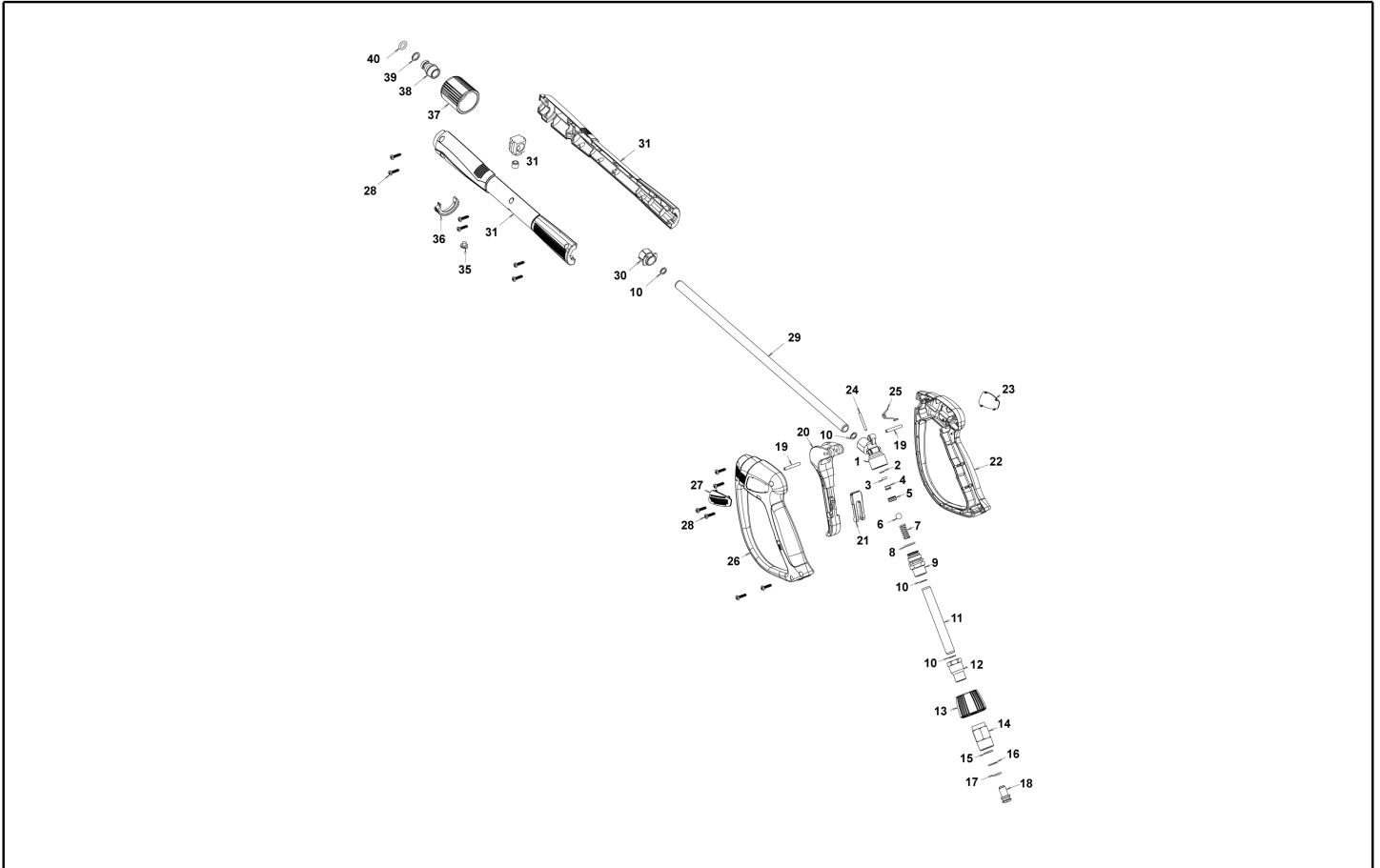


| Ref. K | Part n.   | Part n. 2 | Description                               | Quantity | Validity   |            | Price |
|--------|-----------|-----------|---|----------|------------|------------|-------|
|        |           |           |   |          | From       | To         |       |
| R      | MEVR40235 |           | RESISTANCE 2.5°OT/IX. 33.0KW T 400V       | 1,00     |            |            | --    |
| CM     | MECI48382 |           | COMMUTAT.SWITCH BRM 1-0-2 UNIP. 12A CR012 | 1,00     |            |            | --    |
| F1     | MEVR30498 |           | FUSE 5X20 5 A                             | 1,00     |            |            | --    |
| F2     | MEVR09010 |           | FUSE 5X20 0,5A                            | 1,00     |            |            | --    |
| G1     | MECI40055 |           | SWITCH REED N.C. H210 IX                  | 1,00     |            |            | --    |
| G2     | MECI40006 |           | SENSOR LEVEL S1 PML.XD.FPJ FST.           | 1,00     |            |            | --    |
| IG     | MECI40017 |           | COMMUTAT.SWITCH 0-1-2 UN.                 | 1,00     |            |            | --    |
| K1     | METT40010 |           | CONTACTOR SIE 3RT 2017-1AB01 24V          | 1,00     |            |            | --    |
| PA     | MEPD25575 |           | DESCALING PUMP NME-1 24V CPL.             | 1,00     |            |            | --    |
| RC     | MECE40055 |           | FILTER RC 3RT2926-1CE00 26A               | 2,00     |            |            | --    |
| RT     | METT40034 |           | THERMAL RELAY SIE 3RU2116-1KB0 9-12.5A    | 1,00     |            |            | --    |
| TR     | METR41580 |           | TRANSFORMER 50VA 400-230/50V              | 1,00     |            |            | --    |
| TS     | METK40023 |           | THERMOSTAT 105°C TU F RM 20(5)A 250V      | 1,00     |            |            | --    |
| VM     | VEVR40015 |           | VENTILATOR 230V AC 80X80X38               | 1,00     |            |            | --    |
| CKF    | MEVR35664 |           | PROTECTION ILME 10P FIX                   | 1,00     |            |            | --    |
| CKF    | MEVR35662 |           | SOCKET ILME 10P+T                         | 1,00     |            |            | --    |
| CV1    | MECB40435 |           | CABLE N 589 H07 RNF 4X16 L.6.50           | 1,00     |            |            | --    |
| EC1    | MECE40090 |           | PCB PW-E100 TST+CO+VRT 5.2                | 1,00     |            | 30/09/2020 | --    |
| EC1    | MECE40101 |           | PCB IWD-E TSH+CO+VRT 2V.5.2               | 1,00     | 01/10/2020 |            | --    |
| EC2    | MECE40089 |           | PCB LED PW 5 GR. FLT/BLT                  | 1,00     |            |            | --    |
| LS1    | MELF61944 |           | LAMP D.10 24V ORN.                        | 1,00     |            |            | --    |
| NTC    | MEVR40253 |           | PROBE NTC/10K B2585 IP68                  | 1,00     |            |            | --    |
| POT S  | MEVR40149 |           | POTENTIOMETER VSH P11S1V0FLSY 5/10K LN.   | 1,00     |            |            | --    |
| RL2    | MERL40007 |           | SWITCH RELAY FIND 40.31 1SC.10A 24VAC     | 1,00     |            |            | --    |
| RL2    | MEVR40248 |           | BASE FINDER 95.P3.spa                     | 1,00     |            |            | --    |
| RL3    | MERL06520 |           | SWITCH RELAY FIND 24V CA 60.13U           | 1,00     |            |            | --    |
| RL3    | MEVR06538 |           | BASE FIND 90.23                           | 1,00     |            |            | --    |
| EV12   | MEBE29000 |           | COIL SCEM ZB14-24V AC                     | 2,00     |            |            | --    |
| K2,3   | METT40055 |           | CONTACTOR SIE 3RT 2027-2AV00 400V         | 2,00     |            |            | --    |
| P1,2   | MEPF40052 |           | PRESSURE SWITCH PR 5 1/4M 15BAR L.1300    | 2,00     |            |            | --    |
| RL14   | MERL40001 |           | SWITCH RELAY FIND 40.52 2SC. 8A 24VAC     | 3,00     |            |            | --    |
| RL14   | MEVR40259 |           | BASE FINDER 95.P5.spa                     | 3,00     |            |            | --    |

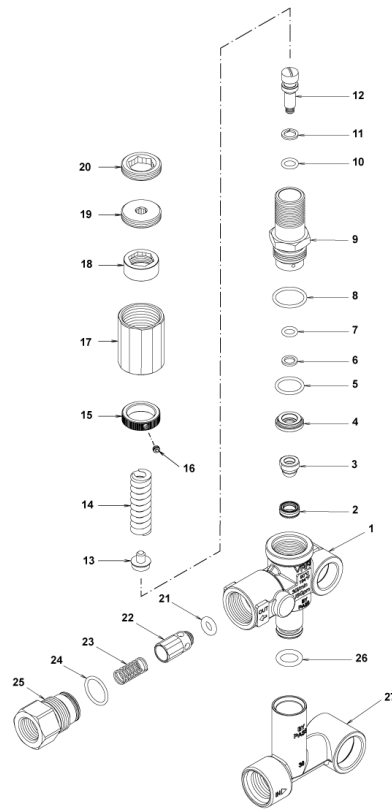




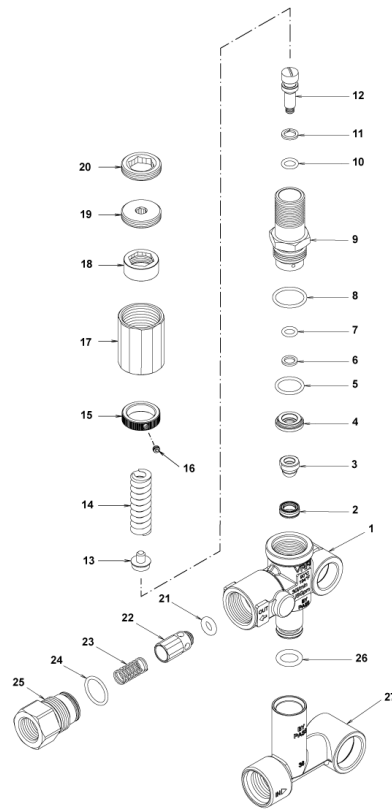
| Ref. K | Part n.   | Part n. 2 | Description                     | Quantity | Validity |    | Price |
|--------|-----------|-----------|---------------------------------|----------|----------|----|-------|
|        |           |           |                                 |          | From     | To |       |
| 0001   | PVVR40381 |           | GUN BODY G 5100 G1/4F           | 1,00     |          |    | --    |
| 0002   | S         | GUVR40074 | ANTI-EXTR.RING D. 3 X 7.4X1.3   | 1,00     |          |    | --    |
| 0003   | S         | GUGO21835 | O-RING D. 2.84 X 2.62 VIT. 80SH | 1,00     |          |    | --    |
| 0004   |           | PVVR40382 | PISTON GUIDE G 5100             | 1,00     |          |    | --    |
| 0005   | S         | PVVR40563 | BALL SEAT AL36 G6000 + OR       | 1,00     |          |    | --    |
| 0006   | S         | SFVR40004 | BALL D. 5/16" ALL.GR16          | 1,00     |          |    | --    |
| 0007   |           | MLML40047 | SPRING D. 9.4 x23.5x1.6 G6000   | 1,00     |          |    | --    |
| 0008   |           | GUGO12322 | O-RING D. 14 X 1.78 NBR 90SH    | 1,00     |          |    | --    |
| 0009   |           | PVVR40383 | CONNECTOR COLL.G5100 1/4F       | 1,00     |          |    | --    |
| 0010   |           | VTRS40017 | WASHER D. 8.2X11,4X1.00         | 4,00     |          |    | --    |
| 0011   |           | PVVR40384 | TUBE G 1/4" L.105               | 1,00     |          |    | --    |
| 0012   |           | RCIN40022 | CONNECTOR SWIV G5100 1/4F       | 1,00     |          |    | --    |
| 0013   |           | MPVR40967 | RING NUT G 6000 SW. GR.         | 1,00     |          |    | --    |
| 0014   |           | RCIN40021 | JOINT SWIV 5100 M22             | 1,00     |          |    | --    |
| 0015   | S         | GUVR40075 | ANTI-EXTR.RING D. 10 X14X1.5    | 1,00     |          |    | --    |
| 0016   | S         | GUVR40076 | ANTI-EXTR.RING D. 11.2X14X1.2   | 1,00     |          |    | --    |
| 0017   | S         | GUGO15295 | O-RING D. 10.82 X 1.78 VIT 75SH | 1,00     |          |    | --    |
| 0018   |           | PVVR40386 | SCREW SW. G 5100                | 1,00     |          |    | --    |
| 0019   |           | VTVR40047 | PLUG D. 4X29                    | 2,00     |          |    | --    |
| 0020   |           | MPVR40820 | TRIGGER G 6000-SW               | 1,00     |          |    | --    |
| 0021   |           | MPVR40821 | SAFETY-DEVICE G 6000-SW         | 1,00     |          |    | --    |
| 0022   |           | MPVR40822 | SHELL G 6000-SW DX              | 1,00     |          |    | --    |
| 0023   |           | MPVR40968 | PLATE G 6000/2 GR.DX            | 1,00     |          |    | --    |
| 0024   |           | PVVR40564 | SMALL PISTON G 6000 AL36 SP.    | 1,00     |          |    | --    |
| 0025   |           | MLML40029 | SPRING G 5100                   | 1,00     |          |    | --    |
| 0026   |           | MPVR40824 | SHELL G 6000-SW SX              | 1,00     |          |    | --    |
| 0027   |           | MPVR40825 | PLATE G 6000 GR.SX              | 1,00     |          |    | --    |
| 0028   |           | VTVT40043 | SCREW AF 4X 14 HILO ZN.N        | 12,00    |          |    | --    |
| 0029   |           | LCPR40181 | TUBE 1/4 L=416 ZC. 0°           | 1,00     |          |    | --    |
| 0030   |           | MPVR40493 | CONNECTOR G 5100-SW             | 1,00     |          |    | --    |
| 0031   |           | MPVR40494 | PROTECTION P 420 C/AN.          | 1,00     |          |    | --    |
| 0035   |           | MPVR40198 | CAP G 5000                      | 1,00     |          |    | --    |
| 0036   |           | MPVR40495 | CAP G 5100 REM.                 | 1,00     |          |    | --    |
| 0037   |           | PVVR40119 | CONNECTION M22X1,5 IRV G5000    | 1,00     |          |    | --    |
| 0038   |           | RCIN40048 | GUDGEON G 1/4 F IRV G6000/2     | 1,00     |          |    | --    |
| 0039   |           | GUVR40034 | ANTI-EXTR.RING D. 10 X14        | 1,00     |          |    | --    |
| 0040   |           | GUGO63555 | O-RING D. 9.3 X 2,4 VIT 75SH    | 1,00     |          |    | --    |



| Ref. Part n. | Part n. 2 | Description                | Reference           | Price |
|--------------|-----------|----------------------------|---------------------|-------|
| KTRI40243    |           | KIT P 26- 26 SWIVEL G 5100 | 0015 0016 0017      | --    |
| KTRI40513    |           | KIT P 26- 36 G 6000/II     | 0002 0003 0005 0006 | --    |



| Ref. K | Part n.   | Part n. 2 | Description                       | Quantity | Validity |    | Price |
|--------|-----------|-----------|-----------------------------------|----------|----------|----|-------|
|        |           |           |                                   |          | From     | To |       |
| 0001   | PVVR40362 |           | VALVE BODY VRF2                   | 1,00     |          |    | --    |
| 0002   | S         | PVVR40363 | VALVE SEAT MV124 +OR              | 1,00     |          |    | --    |
| 0003   | S         | PVVR40364 | COUPLING MV124                    | 1,00     |          |    | --    |
| 0004   | S         | PVVR40365 | SPACER MV124                      | 1,00     |          |    | --    |
| 0005   | S         | GUGO12322 | O-RING D. 14 X 1.78 NBR 90SH      | 1,00     |          |    | --    |
| 0006   | S         | GUVR40072 | ANTI-EXTR.RING D. 6.5X 9.4        | 1,00     |          |    | --    |
| 0007   | S         | GUGO10330 | O-RING D. 6.07 X 1.78 VIT 70SH    | 1,00     |          |    | --    |
| 0008   | S         | GUGO24913 | O-RING D. 17.17 X 1.78 NBR 90SH   | 1,00     |          |    | --    |
| 0009   | S         | PVVR40388 | CONNECTOR VRF2 RG.165 56A         | 1,00     |          |    | --    |
| 0010   | S         | GUGO03497 | O-RING D. 6.75 X 1.78 VIT 80SH    | 1,00     |          |    | --    |
| 0011   | S         | GUVR40073 | ANTI-EXTR.RING D. 7.1X10 X1.2 TBT | 1,00     |          |    | --    |
| 0012   | S         | PVVR40367 | SMALL PISTON D.10 VRF2            | 1,00     |          |    | --    |
| 0013   | S         | PVVR40368 | SPRING PLATE MV124 25B            | 1,00     |          |    | --    |
| 0014   | S         | MLML47987 | SPRING D. 3.25X41.1 MV 625        | 1,00     |          |    | --    |
| 0015   | S         | PVVR40369 | RING NUT MV167.09                 | 1,00     |          |    | --    |
| 0016   | S         | VTVT89696 | SCREW EI-ST 4X 4 UNI5927 ZC       | 1,00     |          |    | --    |
| 0017   | S         | PVVR47989 | CAP MV 625 REG.                   | 1,00     |          |    | --    |
| 0018   | S         | PVVR47990 | RING NUT MV 625 REG.              | 1,00     |          |    | --    |
| 0019   | S         | PVVR47991 | REGISTER MV 625 REG.              | 1,00     |          |    | --    |
| 0020   | S         | PVVR47992 | CLAMP MV 625 REG.                 | 1,00     |          |    | --    |
| 0021   |           | GUGO27030 | O-RING D. 6 X 3 VIT 70SH          | 1,00     |          |    | --    |
| 0022   |           | PVVR40349 | COUPLING VRT3                     | 1,00     |          |    | --    |
| 0023   |           | MLML40026 | SPRING VRT3                       | 1,00     |          |    | --    |
| 0024   |           | GUGO12321 | O-RING D. 15.6 X 1.78 NBR 90SH    | 1,00     |          |    | --    |
| 0025   |           | PVVR40350 | CONNECTOR VRT3 G 3/8F             | 1,00     |          |    | --    |
| 0026   |           | GUGO08606 | O-RING D. 10.78 X 2.62 VIT 80SH   | 1,00     |          |    | --    |
| 0027   |           | PVVR40373 | CONNECTOR VRF2.24                 | 1,00     |          |    | --    |



| Ref. Part n. | Part n. 2 | Description          | Reference   | Price |
|--------------|-----------|----------------------|---|-------|
| KTRI40530    |           | KIT P 14-118 VRF2-HT | 0002 0003 0004 0005 0006 0007 0008 0009 0010 0011<br>0012 0013 0014 0015 0016 0017 0018 0019 0020 | --    |