

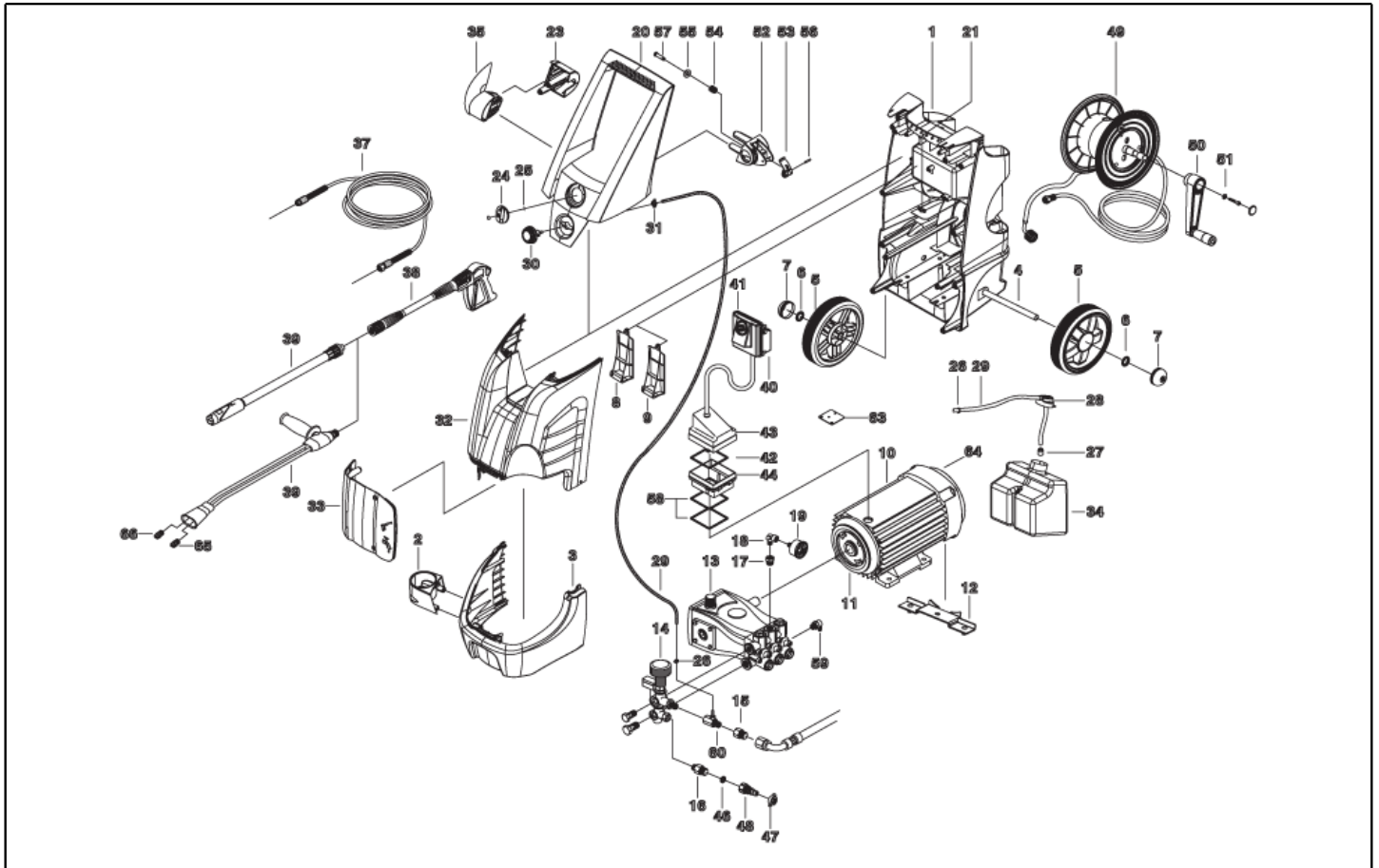


IPC

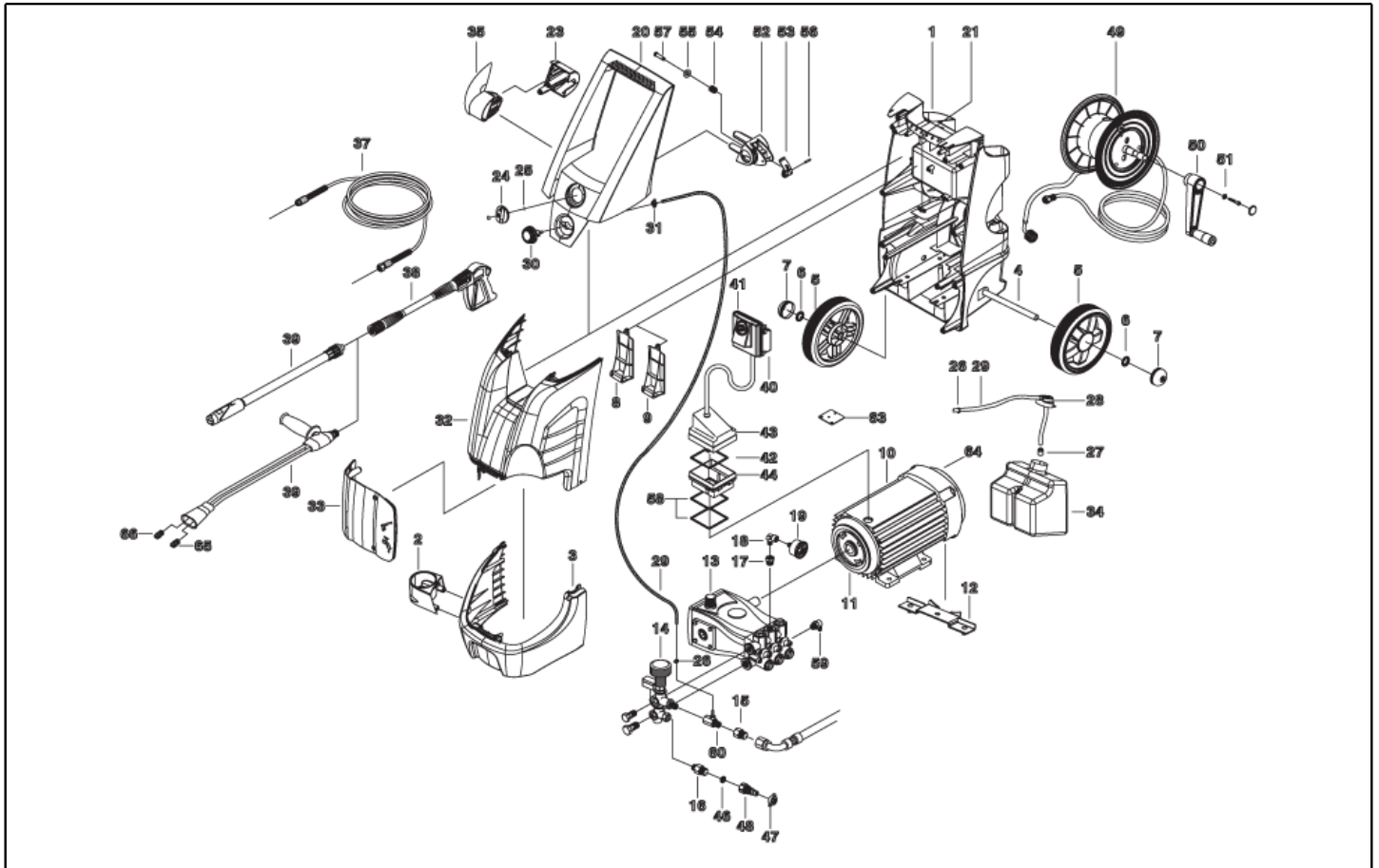
Spare parts list

Ref: IDAF94170

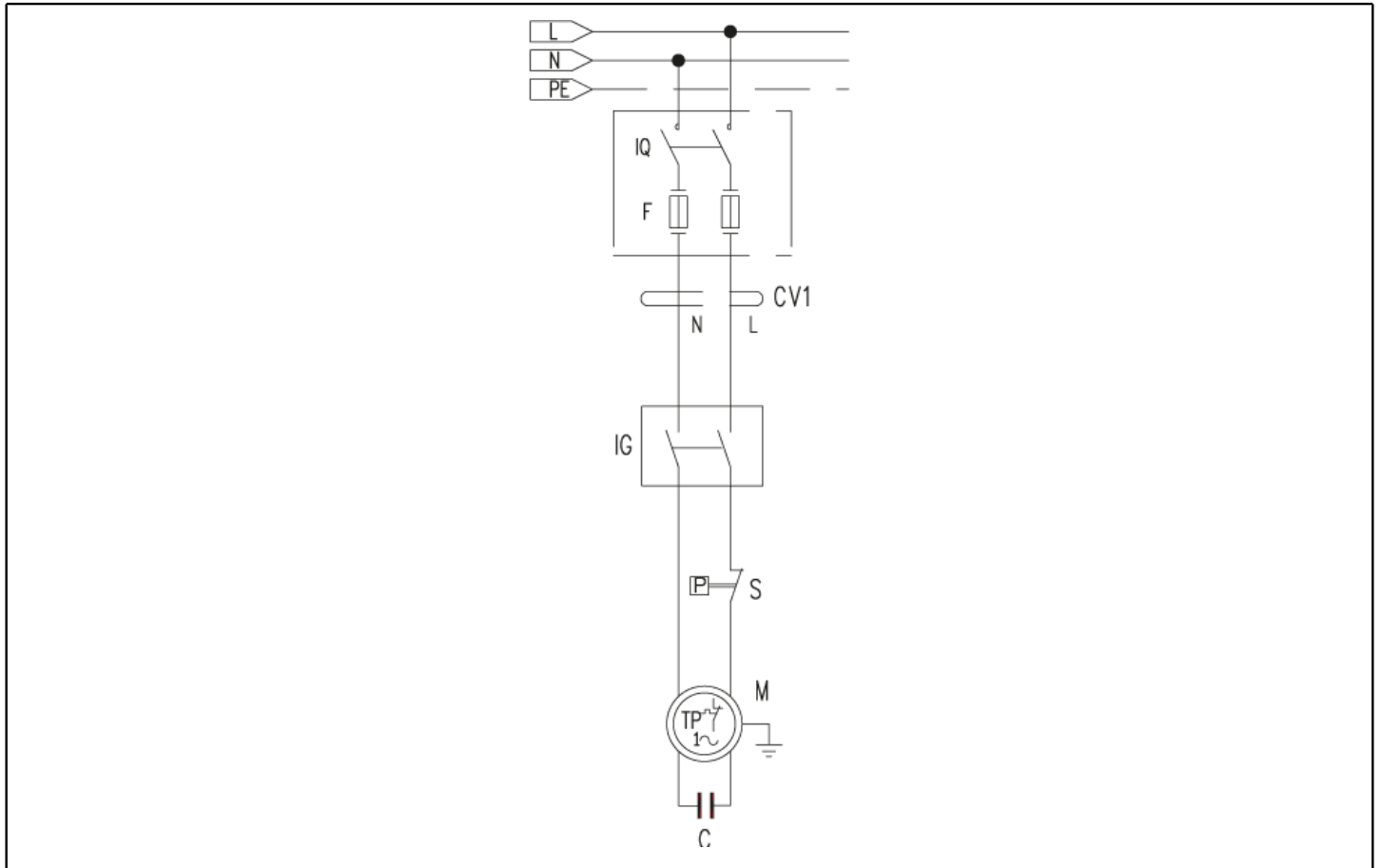
Model: H.P. CLEANER PW-C25P I1509P M 230/50



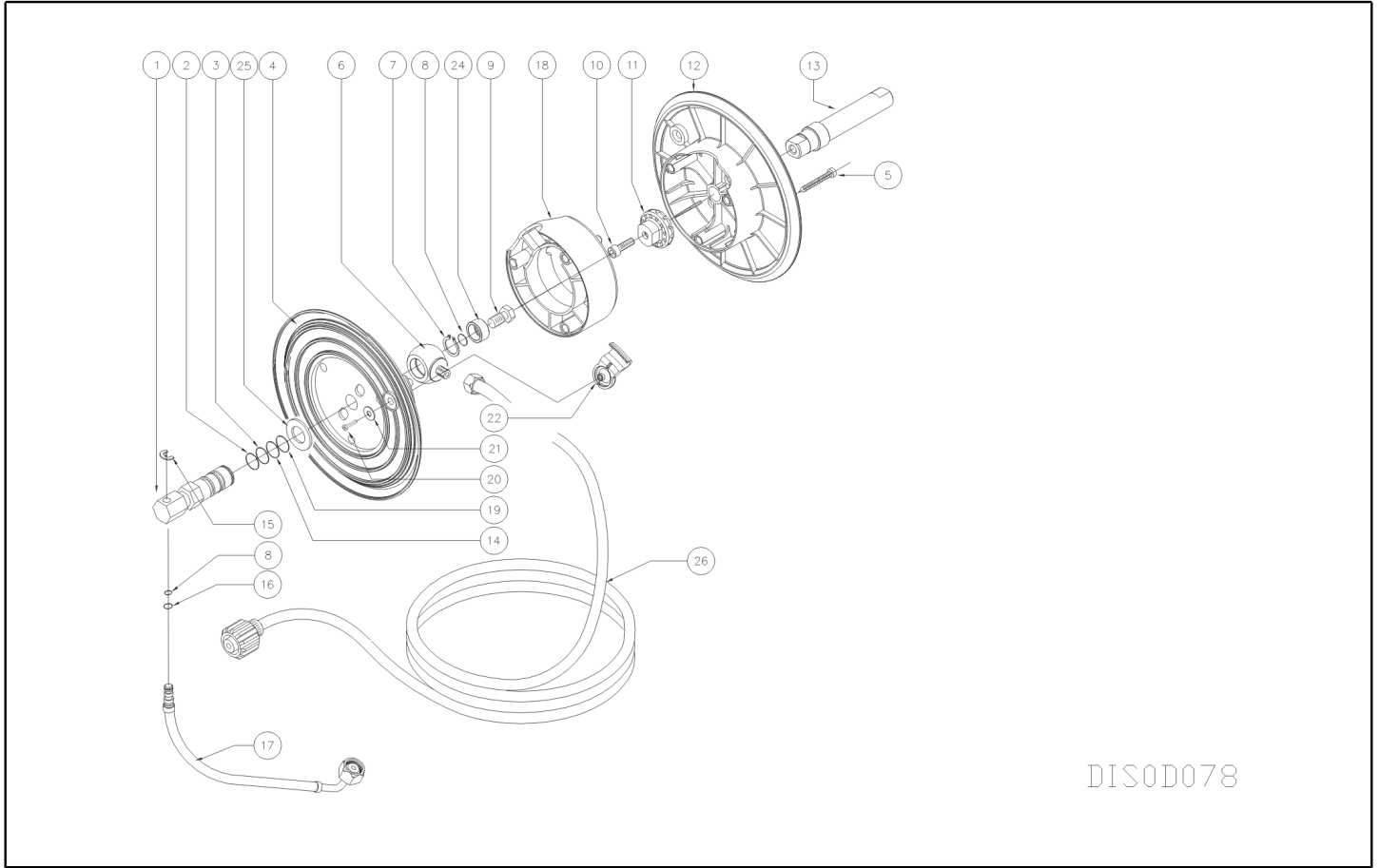
Ref. K	Part n.	Part n. 2	Description	Quantity	Validity		Price
					From	To	
0001	MPVR94335		FRAME "SERIE G-LINE" M90	1,00			--
0002	MPVR94333		SUPPORT LANC. "G-LINE" NERO	1,00	01/08/2012		--
0003	MPVR94331		BAND ANT. "G-LINE" NERA	1,00			--
0004	LAFN92146		WHEELS AXLE G LINE. AC ZC.	1,00	23/05/2012		--
0005	RTRT91967		WHEEL D.200 "S.G" GR.	2,00			--
0006	VTRS60945	00060945	WASHER D.15	2,00			--
0007	MPVR91970		GREY HUB CAP "SERIE G"	2,00			--
0008	MPVR93244		PLATE TELAIO "SERIE G" DX	1,00			--
0009	MPVR93245		PLATE TELAIO "SERIE G" SX	1,00			--
0010	MOMO93814		ELECTRIC ENGINE G-LINE 3000W 230-50	1,00	14/06/2012		--
0012	LAFN93849		BRACKET ADAT. MOT. M/80 x "G-line	1,00	14/06/2012		--
0013	VTVR16617	00016617	KEY 6X 6X30 UNI 6604	1,00	14/06/2012		--
0013	PPAP40083		PUMP RCS 8.17 DX B	1,00	14/06/2012		--
0014	VVAZ40047		VALVE AR M.MATIC 4/B-RC+TS/ 1.6	1,00	14/06/2012	28/02/2014	--
0014	VVAZ40022		VALVE AR M.MATIC 4/B-RC+TS/LET	1,00		13/06/2012	--
0014	VVAZ40058		VALVE AR M.MATIC 4/B-RC+TS SI.2	1,00	12/07/2014	04/09/2014	--
0014	VVAZ40075		VALVE AR M.MATIC 4/B-RC+TS-M	1,00	05/09/2014		--
0016	RCDS87610	00087610	NIPPLE 3/4 - 1/2 CB D.13.0	1,00	14/06/2012		--
0017	PVVR40183		CAP AR RC C/F. 1/8F+OR	1,00	14/06/2012		--
0018	RCVR34780	00034780	ELBOW 1/8" M/F A10	1,00	14/06/2012		--
0019	MNMN93800		PRESSURE GAUGE 1/8 POST. 0-300 D.40 S/ST	1,00	14/06/2012		--
0020	MPVR92124		HANDLE "SERIE PRO" BOSCH	1,00			--
0021	MPVR60495	00060495	CLAMP HOBBY	1,00			--
0023	MPVR92112		HOSE WIND.SUPP. "SERIE G" DX	1,00			--
0024	MPVR93837		SWITCH KNOB SERIE "G"	1,00	03/04/2012		--
0025	GUGO01060	00001060	O-RING D. 9.92 X 2.62 NBR 70SH	1,00			--
0026	Fsvr72803	00072803	CLAMP D 9.3 - 9.9	2,00			--
0027	MPVR60422		SUCTION FILTER DETERG.HOBBY 90	1,00			--
0028	MPVR91923		TANK CAP "G160"	1,00			--
0029	TBBP93804		L.P. HOSE D. 6- 9	1,07	04/09/2012		--
0030	RCGR93687		TAP "G" TAMP. 1T	1,00			--
0031	MPVR93459		WING NUT RUBINETTO 3VIE H122	1,00			--
0032	MFVR94096		SHIELD ANT. "G-LINE L" M/80	1,00	14/06/2012		--
0032	MPVR94330		GREEN COVER "G-LINE" P.368C	1,00			--
0033	MPVR94332		FRONT PANEL "G-LINE" TRASPARENTE	1,00			--
0034	MPVR92133		DETERGENT TANK "SERIE G" LT 3	1,00			--
0035	MPVR92116		HOOK "SERIE G" DX	1,00			--
0038	IPPR40010		GRIP G 5100+P.330 +M22 SW.M V	1,00		29/02/2016	--
0038	IPPR40020		GRIP G 6000+P.330 +M22 SW.M V	1,00	01/03/2016		--
0039	LCPR40057		EXTENSION P 580 - T10P 1.20 GI	1,00			--
0039	LCPR93177		LANCE TURBO TTR-16+SF230 D.1.30	1,00	01/10/2012		--
0039	LCPR93178		LANCE TURBO TTR-16+SF230 D.1.35	1,00		30/09/2012	--
0040	MPVR91921		BASE SCAT.EL. SERIE "G"	1,00			--
0041	MPVR91919		BOX COVER "G160"	1,00			--



Ref. K	Part n.	Part n. 2	Description	Quantity	Validity		Price
					From	To	
0042	GUGO33675	00033675	JOINT MOUSSE D. 4	0,40	01/08/2012		--
0042	GUVR82555	00082555	JOINT D. 4	0,40		31/07/2012	--
0043	MPVR91924		BOX COVER "G"	1,00			--
0044	MPVR94338		BASE-SUPPORT SC. EL. H112 "G-LINE" DS	1,00			--
0045	GUGO63500	00063500	O-RING D. 19 X 2 NBR 70SH	1,00			--
0046	FTAC91274		WATER FILTER 3/4 M.F.	1,00			--
0047	RCVR29602	00029602	CONNECTOR D. 1/2"-5/8" PTC	1,00			--
0048	RCVR29600	00029600	SOCKET PTC 3/4 F	1,00			--
0049	AVTB93901		HOSE REEL "G-LI" AP+GM 12 OTS M22	1,00			--
0050	MPVR92147		HANDLE AVV/TUB"SERIE F"138-60 M8	1,00			--
0052	MPVR92118		HOSE WIND.SUPP. "SERIE G" SX	1,00			--
0053	MPVR92108		ECCENTRIC CAM AVTB "G"	1,00			--
0054	MLML92466		SPRING SPINTA CAMMA BLOC. "G"	1,00			--
0055	LAFN40163	00040163	SPACER B.PASS 12	1,00			--
0056	VTVR92465		PLUG D. 4X20 UNI 1707 INX	1,00			--
0057	RCDS92467		PIN CAMMA BLOC. AVTB "G"	1,00			--
0060	EIDT40011		EJECTOR M22-3/8 M/F D.1,6 MV300	1,00	12/07/2014		--
0064	MPVR94341		CONVEYOR G160 / G-LINE S2	1,00	01/12/2012		--

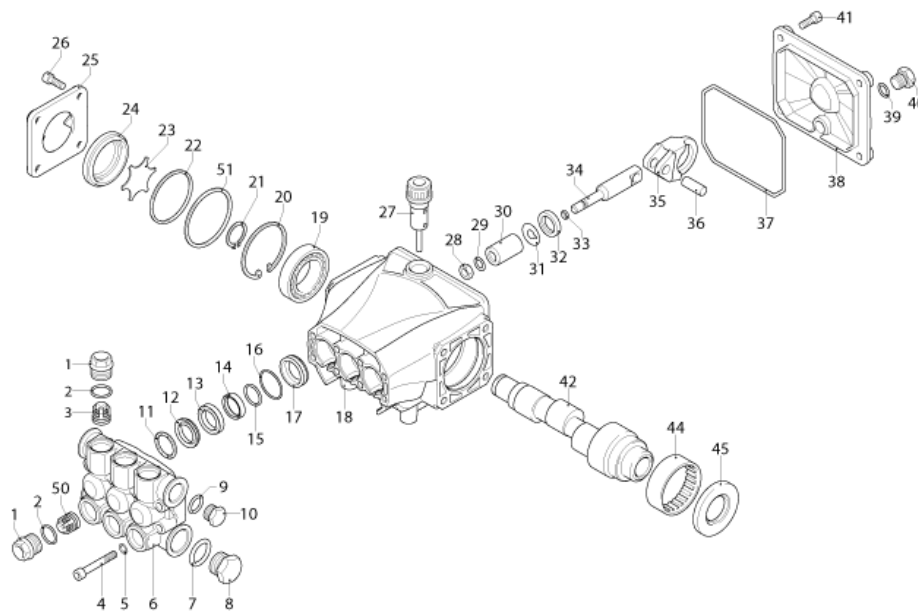


Ref. K	Part n.	Part n. 2	Description	Quantity	Validity		Price
					From	To	
C	MECO61716	00061716	CAPACITOR 50 MF 400/450V D.45X120	1,00			--
IG	MECI93803		SWITCH AQUA 3022/56 A AC + HOLE	1,00			--
CV1	MECB93854		CABLE H05VVVF 3X1,5 MT 5,5 +SCH	1,00		14/12/2012	--
CV1	MECB93887		CABLE H05VVVF 3X1,5 MT 5,5 +SCH	1,00	15/12/2012		--

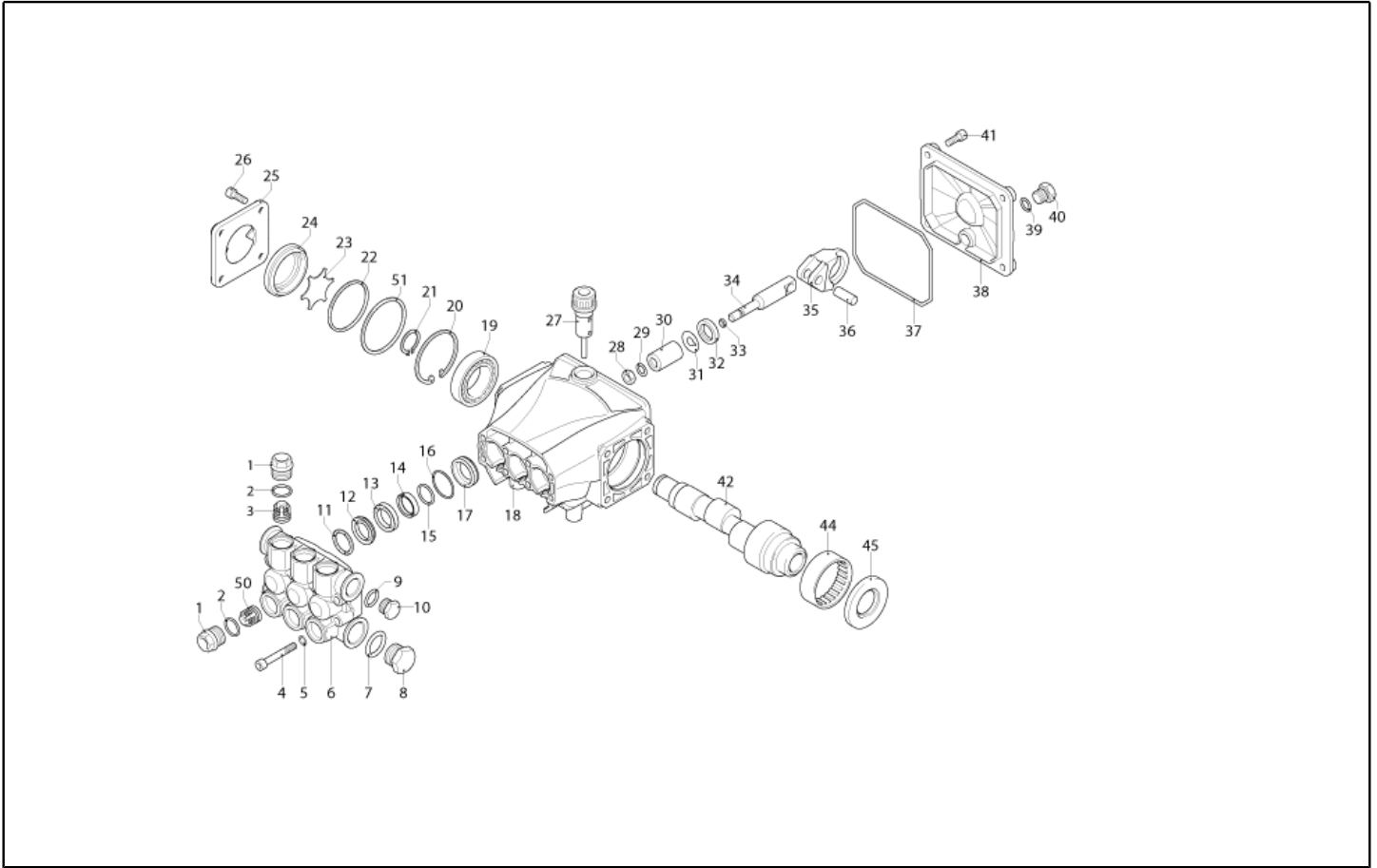


DIS0D078

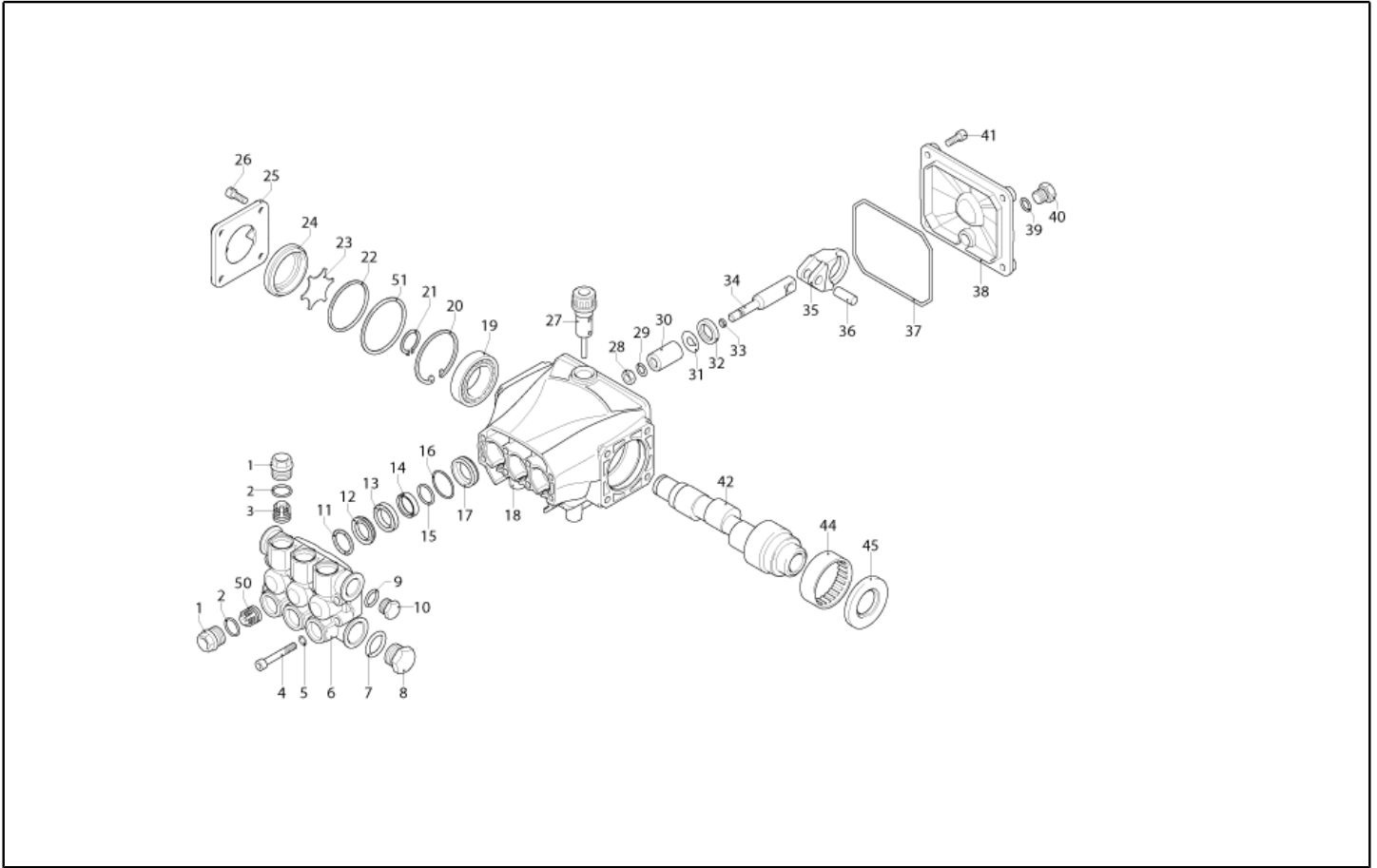
Ref. K	Part n.	Part n. 2	Description	Quantity	Validity		Price
					From	To	
0001	RCDS93816		PIN DIFF. AVTB "SERIE G" A.P	1,00			--
0002	GUGO09720	00009720	O-RING D. 14 X 1.78 NBR 70SH	1,00			--
0003	GUVR63567		ANTI-EXTR.RING X OR 2056	1,00			--
0004	MPVR94336		DISC AVTB H120 DX x HOT-LINE	1,00			--
0005	VTVT91877		SCREW ATF TSP CROCE 4,5X60 Z.G.	3,00			--
0006	RCDS93835		CONNECTOR GRAFF. X TUBO AVTB "G" OT	1,00			--
0007	VTAE63319		CIRCLIP D. 16 UNI7435	1,00			--
0008	GUGO12489	00012489	O-RING D. 6.07 X 1.78 NBR 70SH	2,00			--
0009	RCDS93836		SCREW TE M 8X1X13 OT	1,00			--
0010	VTVT07947	00007947	SCREW TCEI 8X20 UNI5931	1,00			--
0011	MPVR93869		DRIVE DISK AVVOLG. SERIE "H122" AP	1,00			--
0012	MPVR81714		DISC HOSE REEL H120 SX	1,00			--
0013	RCDS91876		PIN MANIGLIA AVV. AQK-1500	1,00			--
0014	GUGO11652	00011652	O-RING D. 12.42 X 1.78 NBR 70SH	1,00			--
0015	VTAE82459	00082459	RING D. 7 UNI 7434	1,00			--
0016	GUGO03500	00003500	O-RING D. 6.75 X 1.78 NBR 70SH	1,00			--
0017	TBAP93875		HOSE MACCH. AVTB G-line L=800	1,00			--
0018	MPVR91875		SPACER AVTB "G" L= 40mm	1,00			--
0019	GUVR93340		ANTI-EXTR.RING 16X13,2X1,45 PTFE SP5611	1,00			--
0020	VTVT67352		SCREW ATF TSP CROCE 4,8X16 ZIN.	1,00			--
0021	VTRS00504	00000504	WASHER D. 8 TE ZC. UNI 6592	1,00	25/03/2013		--
0022	MPVR92672		BLOCK TUBO AVTB "G"	1,00			--
0023	MPVR63686	00063686	CAP D.22,5 - O1S/T22,5	1,00			--
0024	RCDS93495		SPACER PERNO DIFF. AVTB "G"	1,00			--
0025	VTRS93497		WASHER D.18,5 X24 X0,3 OT	1,00			--
0026	TBAP93827		H.P. HOSE 1/4 GM 210B 12MT AVTB	1,00			--



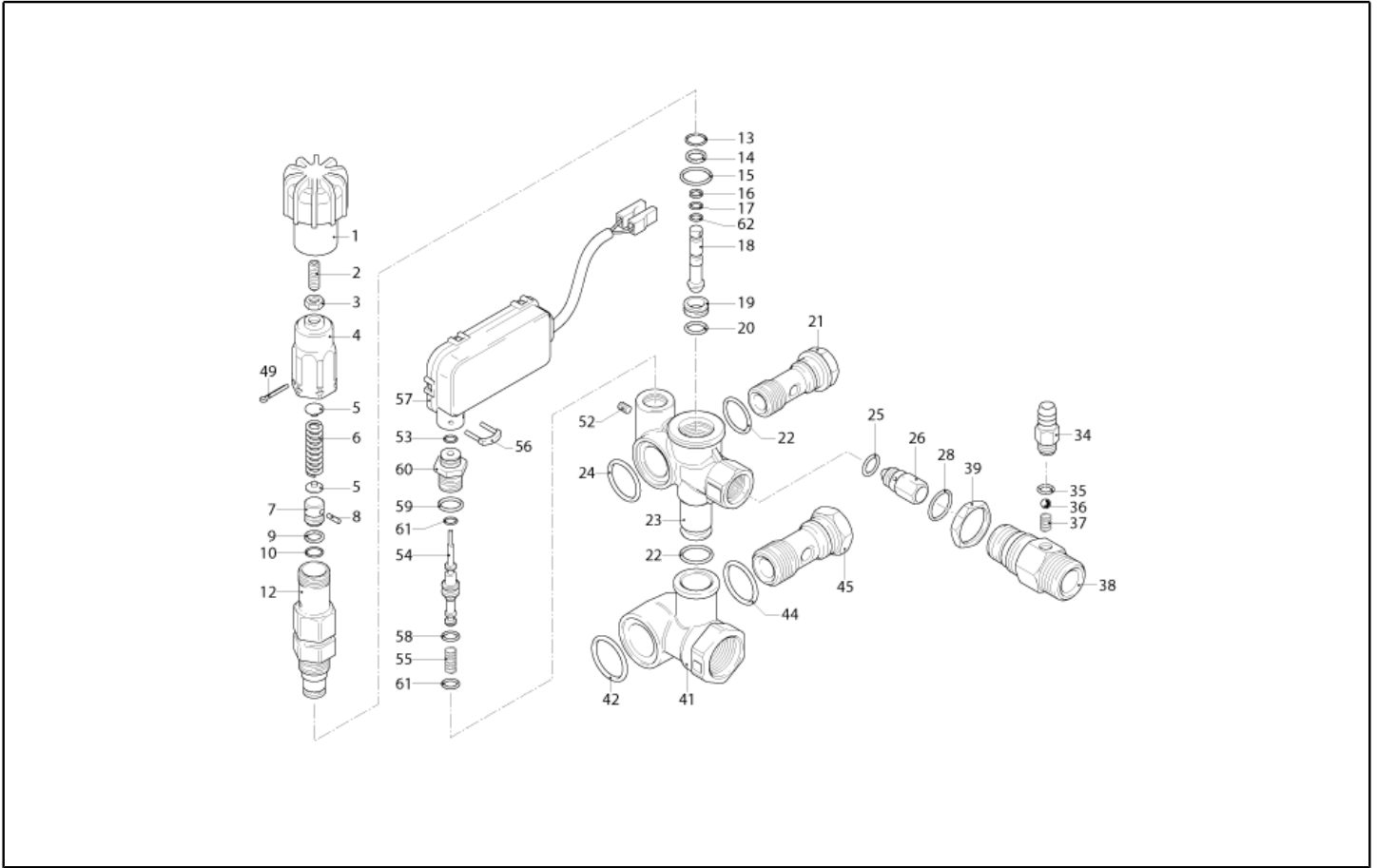
Ref. K	Part n.	Part n. 2	Description	Quantity	Validity		Price
					From	To	
0001	PVVR40120		CAP AR RC	6,00			--
0002	GUGO03505	00003505	O-RING D. 15.6 X 1.78 NBR 70SH	6,00			--
0003	S VVAM40002		VALVE UNIT RC	6,00		31/07/2012	--
0003	S VVAM40002		VALVE UNIT RC	3,00	01/08/2012		--
0004	VTVT06236	00006236	SCREW TCCE UNI 5931 6X40 ZB	8,00			--
0005	VTRS01077	00001077	WASHER D. 6,4X10X0,7	8,00			--
0006	MFVR40026		HEAD AR RCS OT.	1,00			--
0007	GUGO19245	00019245	O-RING D. 17.5 X 2 NBR 70SH	1,00			--
0008	PVVR40121		CAP 1/2 M RC	1,00			--
0009	GUGO09720	00009720	O-RING D. 14 X 1.78 NBR 70SH	1,00			--
0010	PVVR40099		CAP 3/8 M HRM	1,00			--
0011	S PVVR40158		HEAD RING D. 15 RCS	3,00			--
0012	S GUVR40028		PACKING D. 15 XJS	3,00			--
0013	PVVR40159		INTERMED. RING D. 15 RCS	3,00			--
0014	S GUVR40041		PACKING D. 15 RCS L.P.	3,00			--
0015	S GUVR40042		ANTI-EXTR.RING D.15	3,00			--
0016	S GUGO08182	00008182	O-RING D. 21.91 X 1.78 NBR 70SH	3,00			--
0017	PVVR40160		PACKING RETAIN. D. 15 RCS	3,00			--
0018	MFVR40027		PUMP CRANKCASE AR RCS	1,00			--
0019	CUVR28336	00028336	BALL BEARING 6304	1,00			--
0020	VTAE09661	00009661	CIRCLIP D. 52 UNI 7437	1,00			--
0021	VTAE06193	00006193	CIRCLIP D. 20 UNI 7435	1,00			--
0022	GUGO02561	00002561	O-RING D. 47.3 X 2.62 NBR 70SH	1,00			--
0023	PVVR40125		DISC RC	1,00			--
0024	PVVR40126		OIL INDICATOR RC	1,00			--
0025	MFVR40021		CRANKCASE COVER AR RC LT.	1,00			--
0026	VTVT01531	00001531	SCREW TE 6X 16 UNI 5739	4,00			--
0027	PVVR19231	00019231	OIL CAP XTS	1,00		31/03/2014	--
0027	PVVR40436		OIL CAP RC	1,00	01/04/2014		--
0028	VTDD00483	00000483	NUT M 8 ZIN UNI 5588	3,00			--
0029	VTRS19394	00019394	WASHER D. 8X13X0.5	3,00			--
0030	S PIVR19232	00019232	PISTON D. 15 XTS	3,00			--
0031	PVVR19233	00019233	DISC XTS	3,00			--
0032	S GUGO09690	00009690	OIL SEAL 15X 24X 5 NBR70	3,00			--
0033	GUGO08071	00008071	O-RING D. 4.48 X 1.78 NBR 70SH	3,00			--
0034	PVVR40127		PISTON GUIDE RC	3,00			--
0035	BLVR40001		CONNECTING ROD RC	3,00			--
0036	PVVR40128		GUDGEON D. 9X23 RC	3,00			--
0037	GUGO18695	00018695	O-RING D. 101.27 X 2.62 NBR 70SH	1,00			--
0038	MFVR40022		CRANKCASE COVER AR RC	1,00			--
0039	GUGO01036	00001036	O-RING D. 10.82 X 1.78 NBR 70SH	1,00			--
0040	PVVR40129		CAP 1/4 M RC	1,00			--
0041	VTVT09913	00009913	SCREW TCEI 6X16 UNI5931	4,00			--
0042	ALMO40028		SHAFT AR RCS 8LT VRS. B	1,00			--



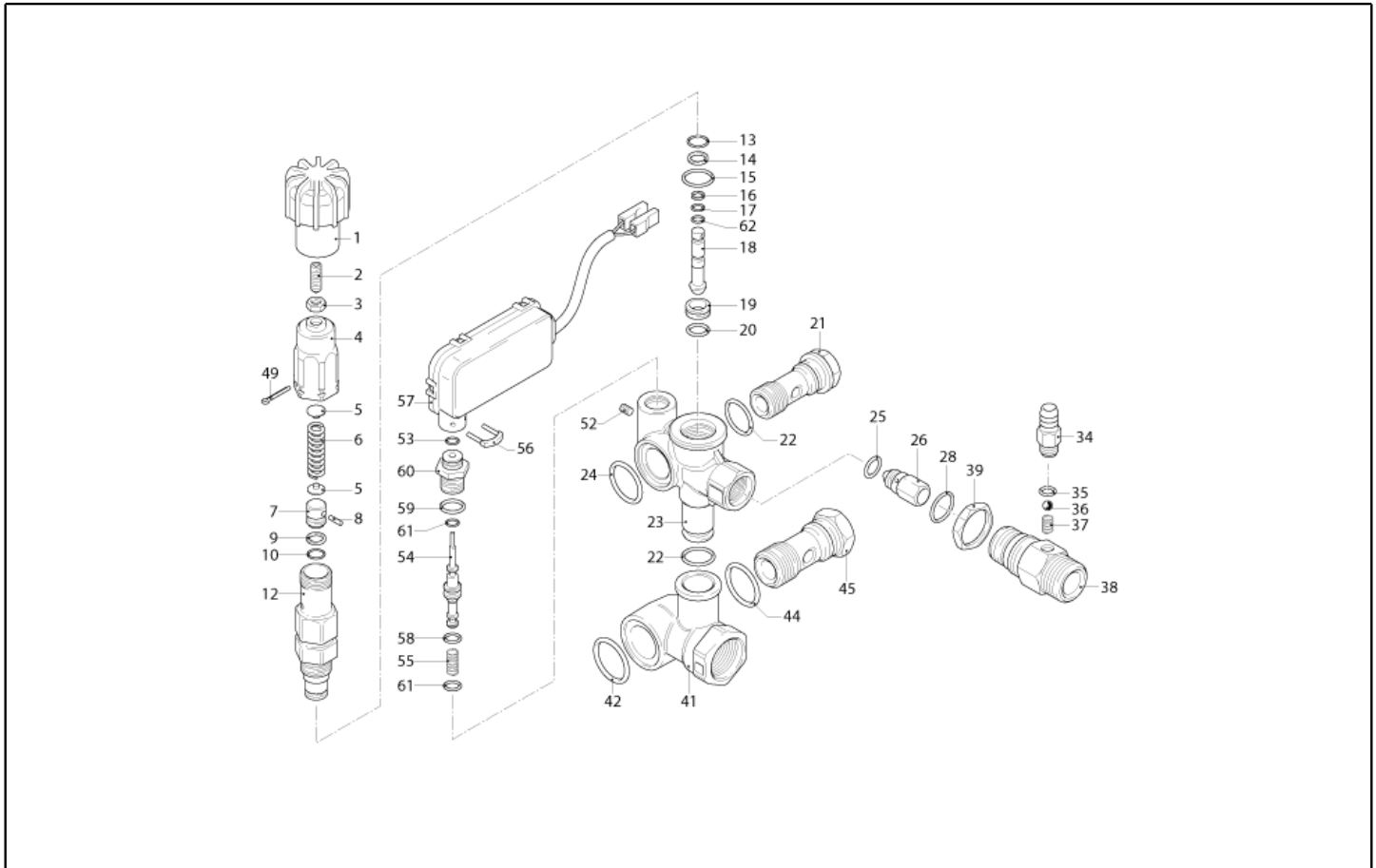
Ref. K	Part n.	Part n. 2	Description	Quantity	Validity		Price
					From	To	
0044	CUVR23636	00023636	ROLLER BEARING HK 4516	1,00			--
0045	GUGO23638	00023638	OIL SEAL 40X 52X 7 NBR70	1,00			--
0050	S VVAM40007		VALVE UNIT RC ASP. BK	3,00	01/08/2012		--
0051	PVVR40437		RING D. 51.8 X0.5	1,00	01/04/2014		--



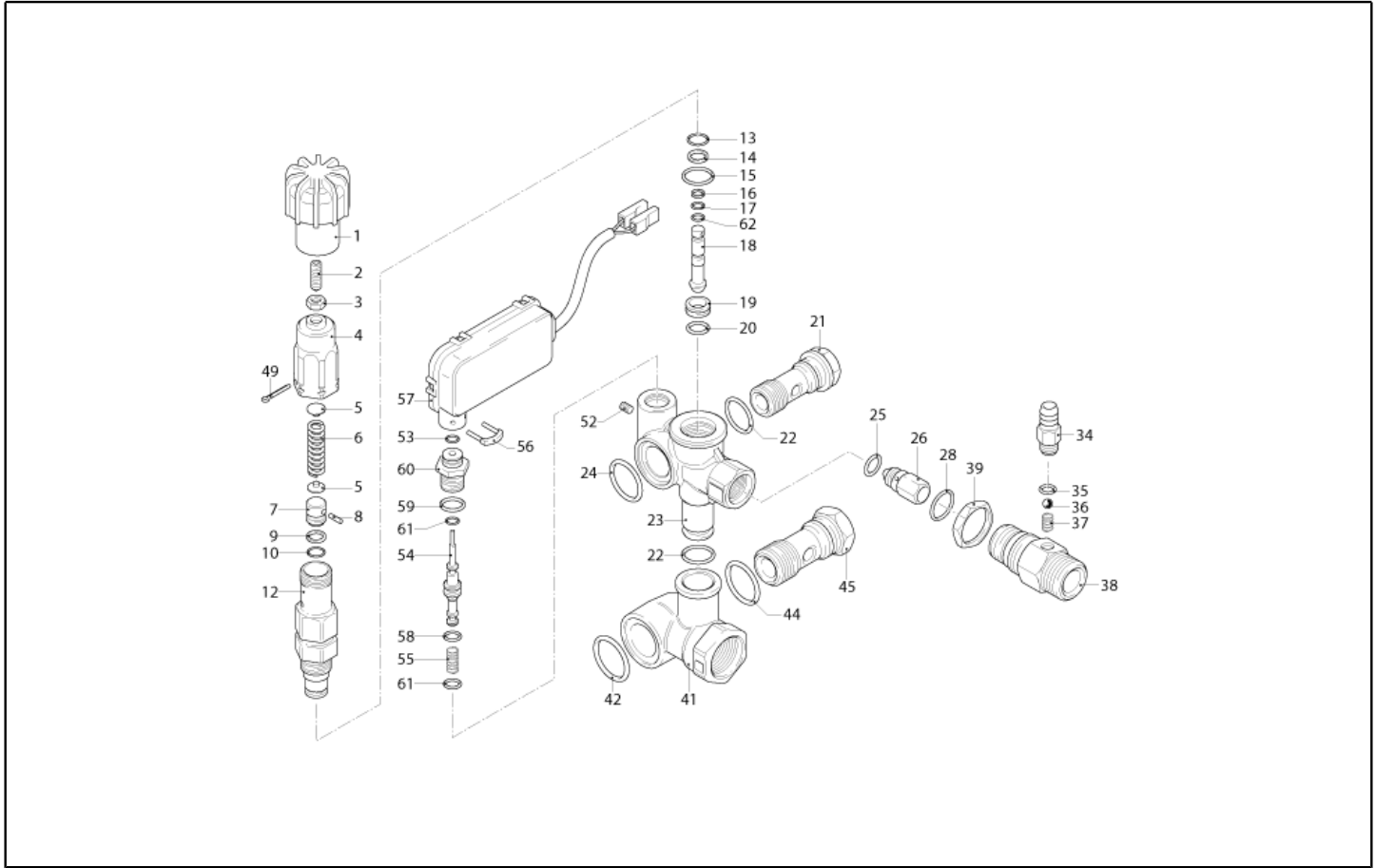
Ref. Part n.	Cust. part n.	Description	Reference	Price
KTRI40092		KIT P 15-2186 RC	0003	--
KTRI40096		KIT P 15-42918 RC	0032 0045	--
KTRI40139		KIT P 15-42920 D.15 RCS	0030	--
KTRI40140		KIT P 15-42921 D.15 RCS	0012 0014 0015 0016	--
KTRI40141		KIT P 15-2191 D.15 RCS	0011	--
KTRI40207		KIT P 15-42914 RC 3+3 BL./WH.	0003 0050	--



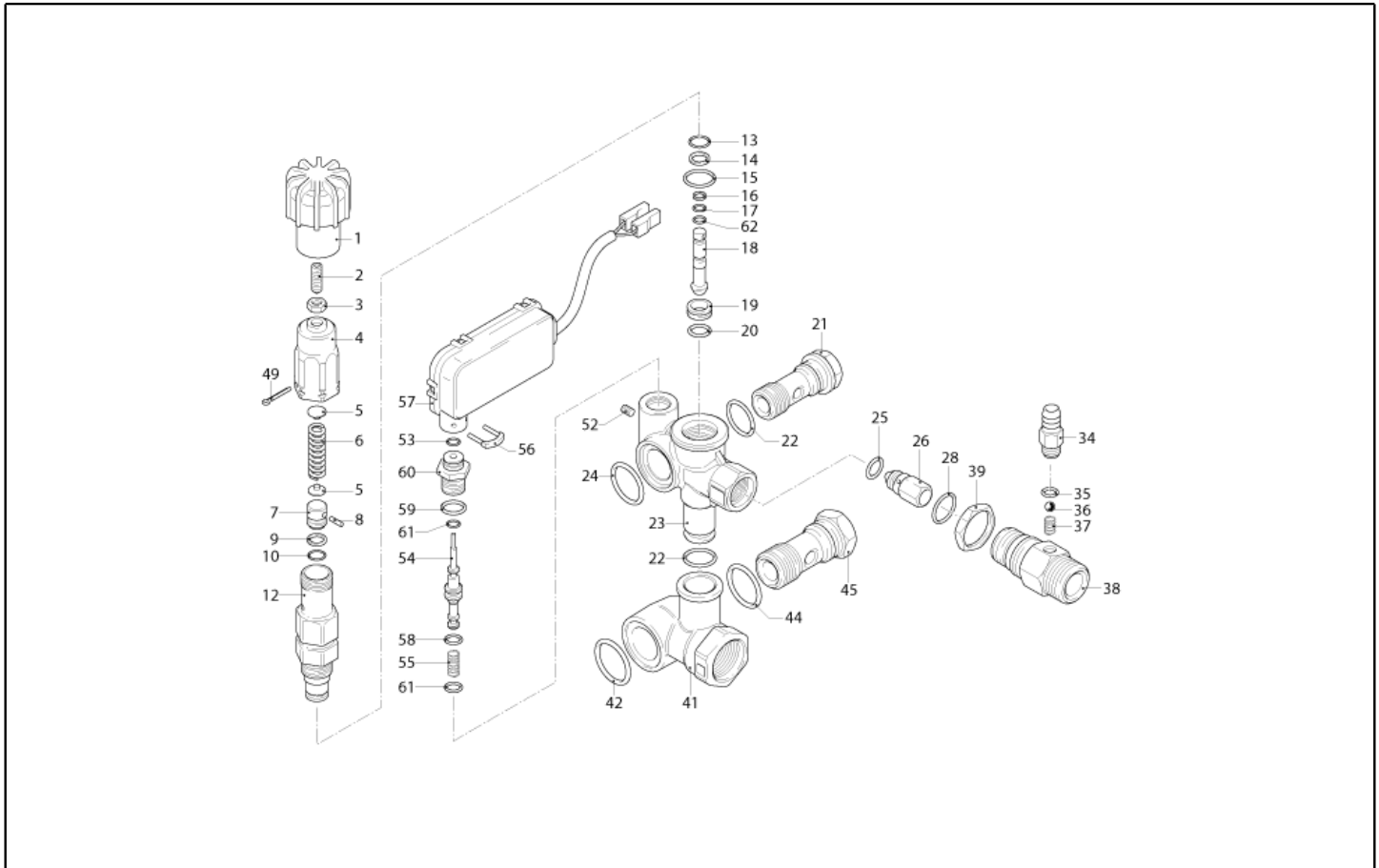
Ref. K	Part n.	Part n. 2	Description	Quantity	Validity		Price
					From	To	
0001	PVVR40227		KNOB M.MT/4B	1,00			--
0002	VTVT19524	00019524	SCREW EI-ST 6X16 UNI 5923	1,00			--
0003	VTDD00482	00000482	NUT M 6 ZIN UNI 5588	1,00			--
0004	PVVR40236		KNOB M.MT/4B	1,00			--
0005	PVVR40067		SPRING PLATE AR XJS	2,00			--
0006	MLML40007		SPRING D. 10.8X48.9 D.2.8 XJS	1,00			--
0007	S PVVR40068		SMALL PISTON AR XJS SP.	1,00			--
0008	S VTVR19193	00019193	PLUG D. 2.5X10	1,00			--
0009	S GUVR40026		ANTI-EXTR.RING D. 8	1,00			--
0010	S GUGO06988	00006988	O-RING D. 7.66 X 1.78 NBR 70SH	1,00		30/06/2013	--
0010	S GUGO40179	00040179	O-RING D. 8 X 2 NBR 70SH	1,00	01/07/2013		--
0012	PVVR40069		PISTON GUIDE AR XJS	1,00		30/06/2013	--
0012	S PVVR40385		PISTON GUIDE AR XJS 2V.	1,00	01/07/2013		--
0013	S GUGO09720	00009720	O-RING D. 14 X 1.78 NBR 70SH	1,00			--
0014	S GUGO63403	00063403	O-RING D. 8.73 X 1.78 NBR 70SH	1,00			--
0015	S GUGO02259	00002259	O-RING D. 15.54 X 2.62 NBR 70SH	1,00			--
0016	S GUVR40027		ANTI-EXTR.RING D. 3.7	1,00			--
0017	S GUGO19189	00019189	O-RING D. 2.90 X 1.78 NBR 70SH	1,00			--
0018	S PVVR40070		CONTROL PISTON AR XJS IF.	1,00			--
0019	S PVVR40071		VALVE SEAT AR XJS	1,00			--
0020	S GUGO41692	00041692	O-RING D. 9 X 1 NBR 70SH	1,00			--
0021	RCDS40068		SCREW G 3/8 M.MATIC 4/B OT.	1,00			--
0022	S GUGO01047	00001047	O-RING D. 11.91 X 2.62 NBR 70SH	2,00			--
0023	PVVR40134		VALVE BODY M.MATIC 4/B TSS	1,00			--
0024	S GUGO19395	00019395	O-RING D. 20.24 X 2.62 NBR 70SH	1,00			--
0025	S GUGO12494	00012494	O-RING D. 4 X 2.5 -NBR 70SH	1,00			--
0026	S PVVR40074		COUPLING N.RIT. XJS	1,00			--
0027	MLML32257	00032257	SPRING D. 6.5 X14 D.0.5	1,00		30/06/2013	--
0028	S GUGO11652	00011652	O-RING D. 12.42 X 1.78 NBR 70SH	1,00			--
0034	PVVR40135		HOSE FITTING M.MATIC 4/B IN.	1,00			--
0035	S GUGO08071	00008071	O-RING D. 4.48 X 1.78 NBR 70SH	1,00			--
0036	SFVR04274	00004274	BALL D. 7/32	1,00			--
0037	MLML40008		SPRING D. 4	1,00			--
0038	RCDS40074		NIPPLE G 3/8 D. 2 M.MATIC 4/B	1,00			--
0039	VTDD40003		LOCKNUT M20x1	1,00			--
0041	PVVR40131		CONNECTOR M.MATIC 4/B	1,00			--
0042	S GUGO76542	00076542	O-RING D. 23.47 X 2.62 NBR 70SH	1,00			--
0044	S GUGO01058	00001058	O-RING D. 17.17 X 1.78 NBR 70SH	1,00			--
0045	RCDS40070		SCREW G 1/2 M.MATIC 4/B	1,00			--
0049	VTVR40025		SPLIT PIN D. 2,6X15	1,00			--
0052	VTVT40019		SCREW M 3X 5 EI-ST UNI 5923	1,00			--
0053	S GUGO19207	00019207	O-RING D. 1.78 X 1.78 NBR 70SH	1,00			--
0054	PVVR40136		CONTROL PISTON AR TSS M.MTC	1,00			--
0055	MLML40017		SPRING D. 8.7 X15.9 D.1.2	1,00			--



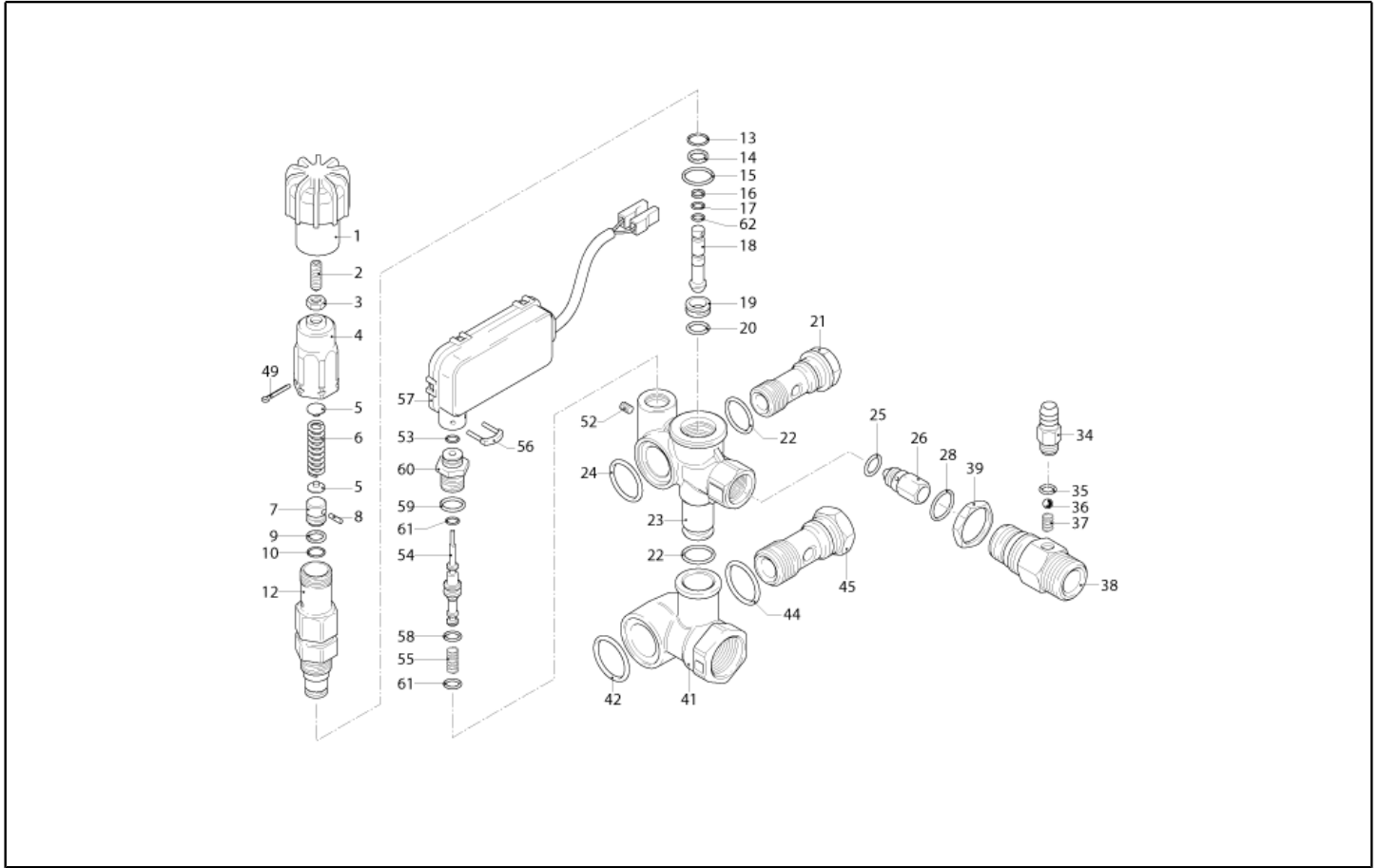
Ref. K	Part n.	Part n. 2	Description	Quantity	Validity		Price
					From	To	
0056	LAFN40212		PLUG *U* AR TSS	1,00			--
0057	MEPF40013		PRESSURE SWITCH AR TSS 220V N.A. L.900	1,00			--
0058	S GUGO12489	00012489	O-RING D. 6.07 X 1.78 NBR 70SH	1,00			--
0059	S GUGO03496	00003496	O-RING D. 9.25 X 1.78 NBR 70SH	1,00			--
0060	PVVR40137		PISTON GUIDE AR TSS M.MATIC	1,00			--
0061	S GUGO19189	00019189	O-RING D. 2.90 X 1.78 NBR 70SH	2,00			--
0062	S GUGO40031		O-RING D. 3.39 X 1.78 NBR 70SH	1,00			--



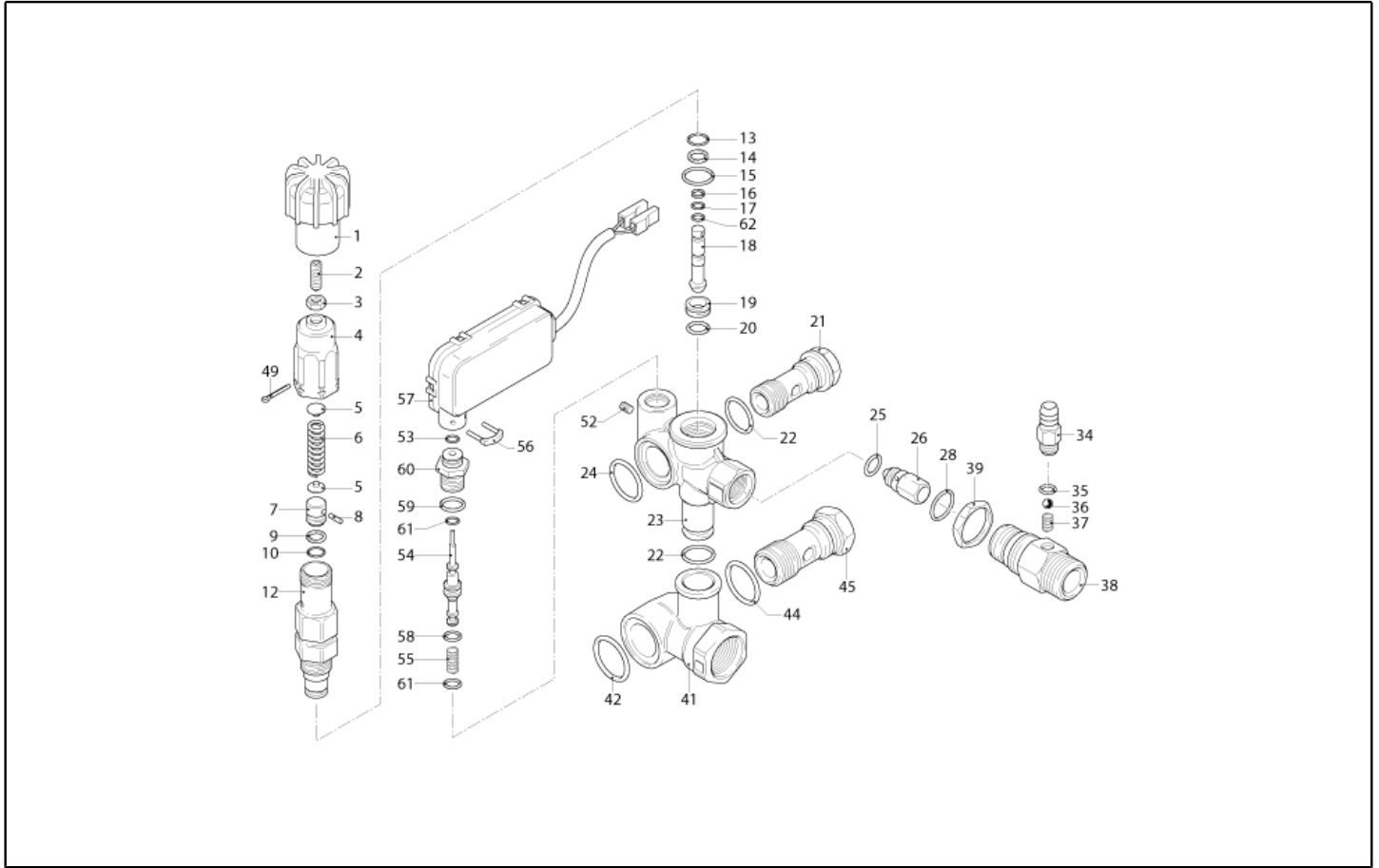
Ref. Part n.	Cust. part n.	Description	Reference	Price
KTRI40128		KIT P 14-101 M.MATIC 4/B CK.V.	0025 0026 0028	--
KTRI40127		KIT P 14-100 M.MATIC 4/B	0007 0008 0009 0010 0010 0012 0013 0014 0015 0016 0017 0018 0019 0020 0062	--
K F KTRI40183		KIT P 15-42916 O-RING	0009 0010 0013 0014 0015 0016 0017 0020 0053 0058 0059 0061 0062 0022 0024 0025 0028 0035 0042 0044	--



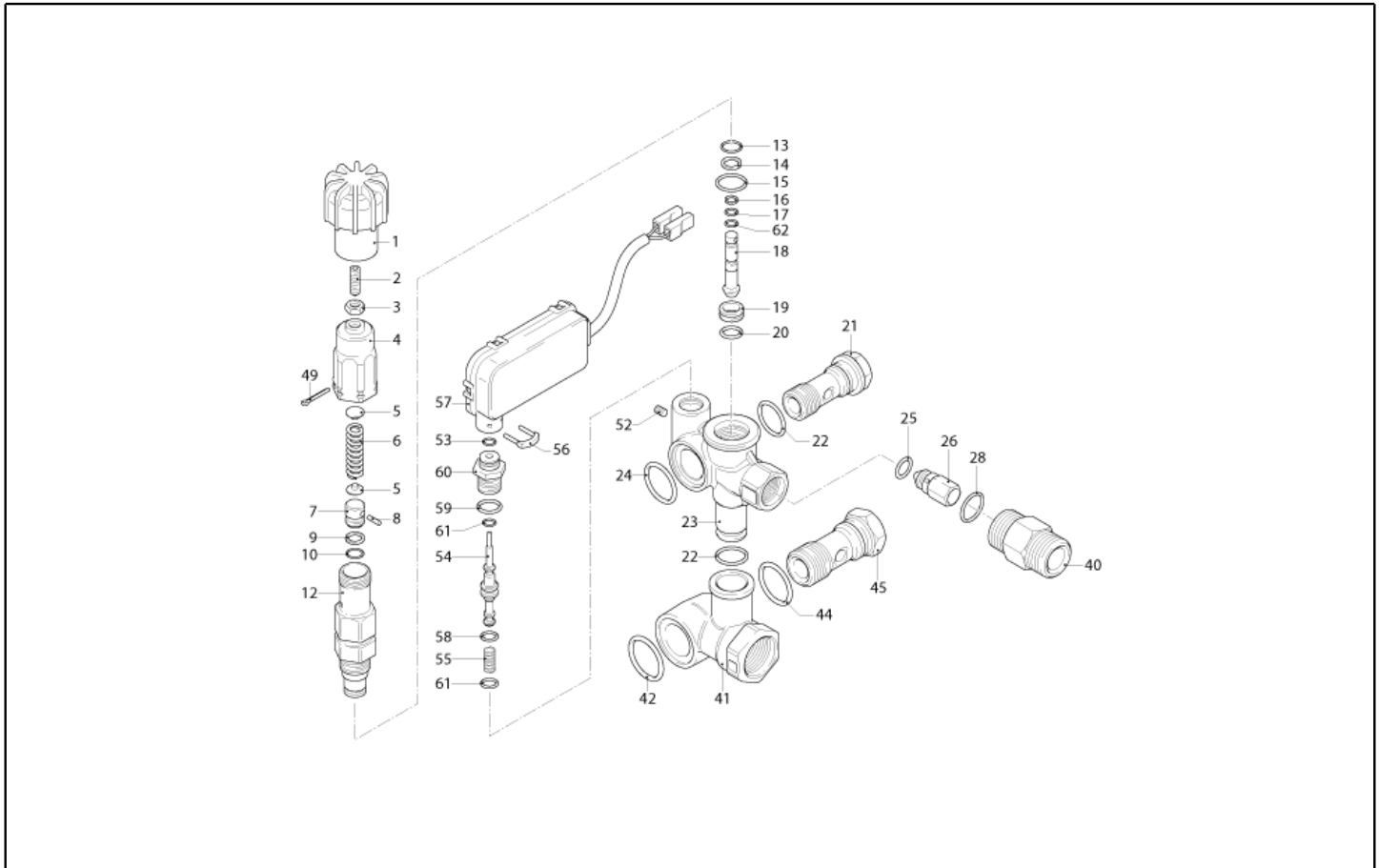
Ref. K	Part n.	Part n. 2	Description	Quantity	Validity		Price
					From	To	
0001	PVVR40227		KNOB M.MT/4B	1,00			--
0002	VTVT19524	00019524	SCREW EI-ST 6X16 UNI 5923	1,00			--
0003	VTDD00482	00000482	NUT M 6 ZIN UNI 5588	1,00			--
0004	PVVR40236		KNOB M.MT/4B	1,00			--
0005	PVVR40067		SPRING PLATE AR XJS	2,00			--
0006	MLML40007		SPRING D. 10.8X48.9 D.2.8 XJS	1,00			--
0007	S PVVR40068		SMALL PISTON AR XJS SP.	1,00			--
0008	S VTVR19193	00019193	PLUG D. 2.5X10	1,00			--
0009	S GUVR40026		ANTI-EXTR.RING D. 8	1,00			--
0010	S GUGO06988	00006988	O-RING D. 7.66 X 1.78 NBR 70SH	1,00		30/06/2013	--
0010	S GUGO40179	00040179	O-RING D. 8 X 2 NBR 70SH	1,00	01/07/2013		--
0012	PVVR40069		PISTON GUIDE AR XJS	1,00		30/06/2013	--
0012	S PVVR40385		PISTON GUIDE AR XJS 2V.	1,00	01/07/2013		--
0013	S GUGO09720	00009720	O-RING D. 14 X 1.78 NBR 70SH	1,00			--
0014	S GUGO63403	00063403	O-RING D. 8.73 X 1.78 NBR 70SH	1,00			--
0015	S GUGO02259	00002259	O-RING D. 15.54 X 2.62 NBR 70SH	1,00			--
0016	S GUVR40027		ANTI-EXTR.RING D. 3.7	1,00			--
0017	S GUGO19189	00019189	O-RING D. 2.90 X 1.78 NBR 70SH	1,00			--
0018	S PVVR40070		CONTROL PISTON AR XJS IF.	1,00			--
0019	S PVVR40071		VALVE SEAT AR XJS	1,00			--
0020	S GUGO41692	00041692	O-RING D. 9 X 1 NBR 70SH	1,00			--
0021	RCDS40068		SCREW G 3/8 M.MATIC 4/B OT.	1,00			--
0022	S GUGO01047	00001047	O-RING D. 11.91 X 2.62 NBR 70SH	2,00			--
0023	PVVR40134		VALVE BODY M.MATIC 4/B TSS	1,00			--
0024	S GUGO19395	00019395	O-RING D. 20.24 X 2.62 NBR 70SH	1,00			--
0025	S GUGO12494	00012494	O-RING D. 4 X 2.5 -NBR 70SH	1,00			--
0026	S PVVR40074		COUPLING N.RIT. XJS	1,00			--
0027	MLML32257	00032257	SPRING D. 6.5 X14 D.0.5	1,00			--
0028	S GUGO11652	00011652	O-RING D. 12.42 X 1.78 NBR 70SH	1,00			--
0034	PVVR40135		HOSE FITTING M.MATIC 4/B IN.	1,00			--
0035	S GUGO08071	00008071	O-RING D. 4.48 X 1.78 NBR 70SH	1,00			--
0036	SFVR04274	00004274	BALL D. 7/32	1,00			--
0037	MLML40008		SPRING D. 4	1,00			--
0038	RCDS40184		NIPPLE G 3/8 D. 0 M.MATIC 4/B	1,00			--
0039	VTDD40003		LOCKNUT M20x1	1,00			--
0041	PVVR40131		CONNECTOR M.MATIC 4/B	1,00			--
0042	S GUGO76542	00076542	O-RING D. 23.47 X 2.62 NBR 70SH	1,00			--
0044	S GUGO01058	00001058	O-RING D. 17.17 X 1.78 NBR 70SH	1,00			--
0045	RCDS40070		SCREW G 1/2 M.MATIC 4/B	1,00			--
0049	VTVR40025		SPLIT PIN D. 2,6X15	1,00			--
0052	VTVT40019		SCREW M 3X 5 EI-ST UNI 5923	1,00			--
0053	S GUGO19207	00019207	O-RING D. 1.78 X 1.78 NBR 70SH	1,00			--
0054	PVVR40136		CONTROL PISTON AR TSS M.MTC	1,00			--
0055	MLML40017		SPRING D. 8.7 X15.9 D.1.2	1,00			--



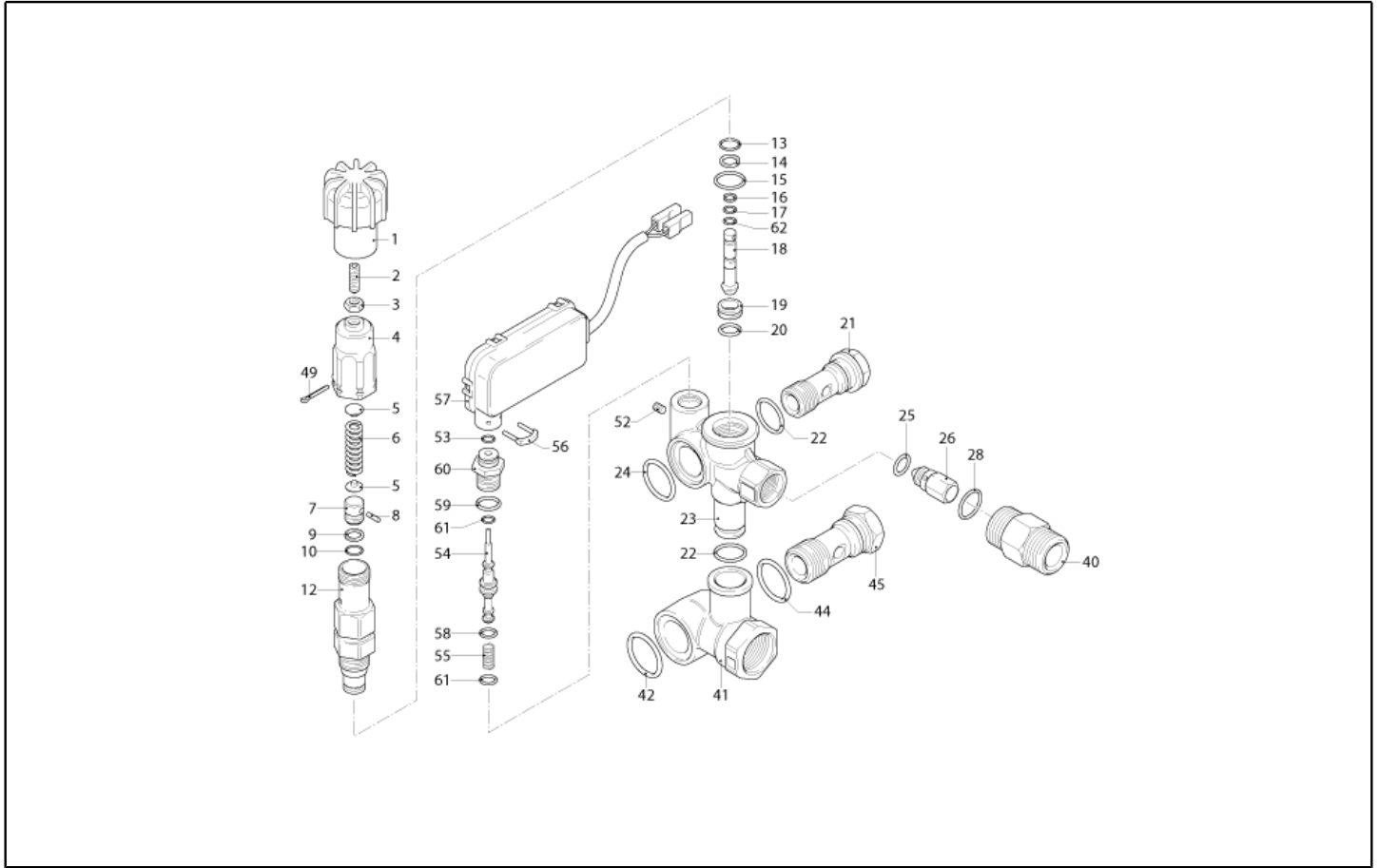
Ref. K	Part n.	Part n. 2	Description	Quantity	Validity		Price
					From	To	
0056	LAFN40212		PLUG *U* AR TSS	1,00			--
0057	MEPF40018		PRESSURE SWITCH AR TSS 220V N.A. L.430	1,00			--
0058	S GUGO12489	00012489	O-RING D. 6.07 X 1.78 NBR 70SH	1,00			--
0059	S GUGO03496	00003496	O-RING D. 9.25 X 1.78 NBR 70SH	1,00			--
0060	PVVR40137		PISTON GUIDE AR TSS M.MATIC	1,00			--
0061	S GUGO19189	00019189	O-RING D. 2.90 X 1.78 NBR 70SH	2,00			--
0062	S GUGO40031		O-RING D. 3.39 X 1.78 NBR 70SH	1,00			--



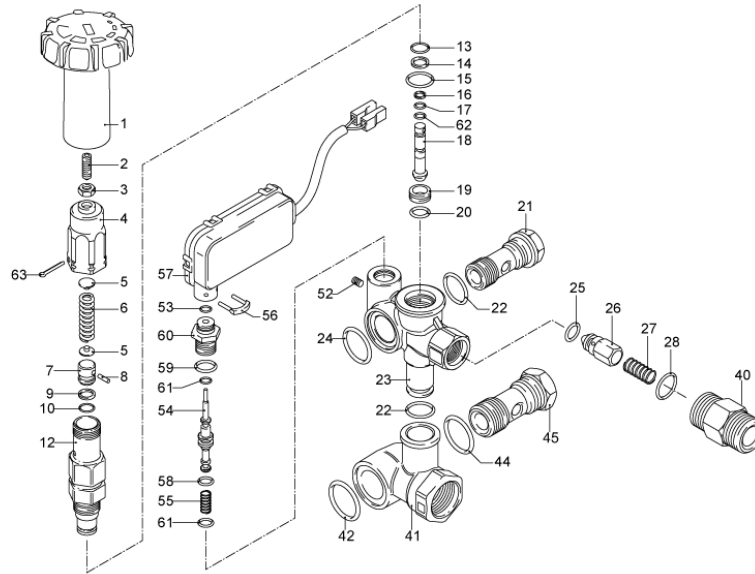
Ref. Part n.	Cust. part n.	Description	Reference	Price
KTRI40128		KIT P 14-101 M.MATIC 4/B CK.V.	0025 0026 0028	--
KTRI40127		KIT P 14-100 M.MATIC 4/B	0007 0009 0010 0010 0012 0013 0014 0015 0016 0017 0018 0019 0020 0062 0008	--
K F KTRI40183		KIT P 15-42916 O-RING	0009 0010 0013 0014 0015 0016 0017 0020 0022 0024 0025 0028 0035 0042 0044 0053 0058 0059 0061 0062	--



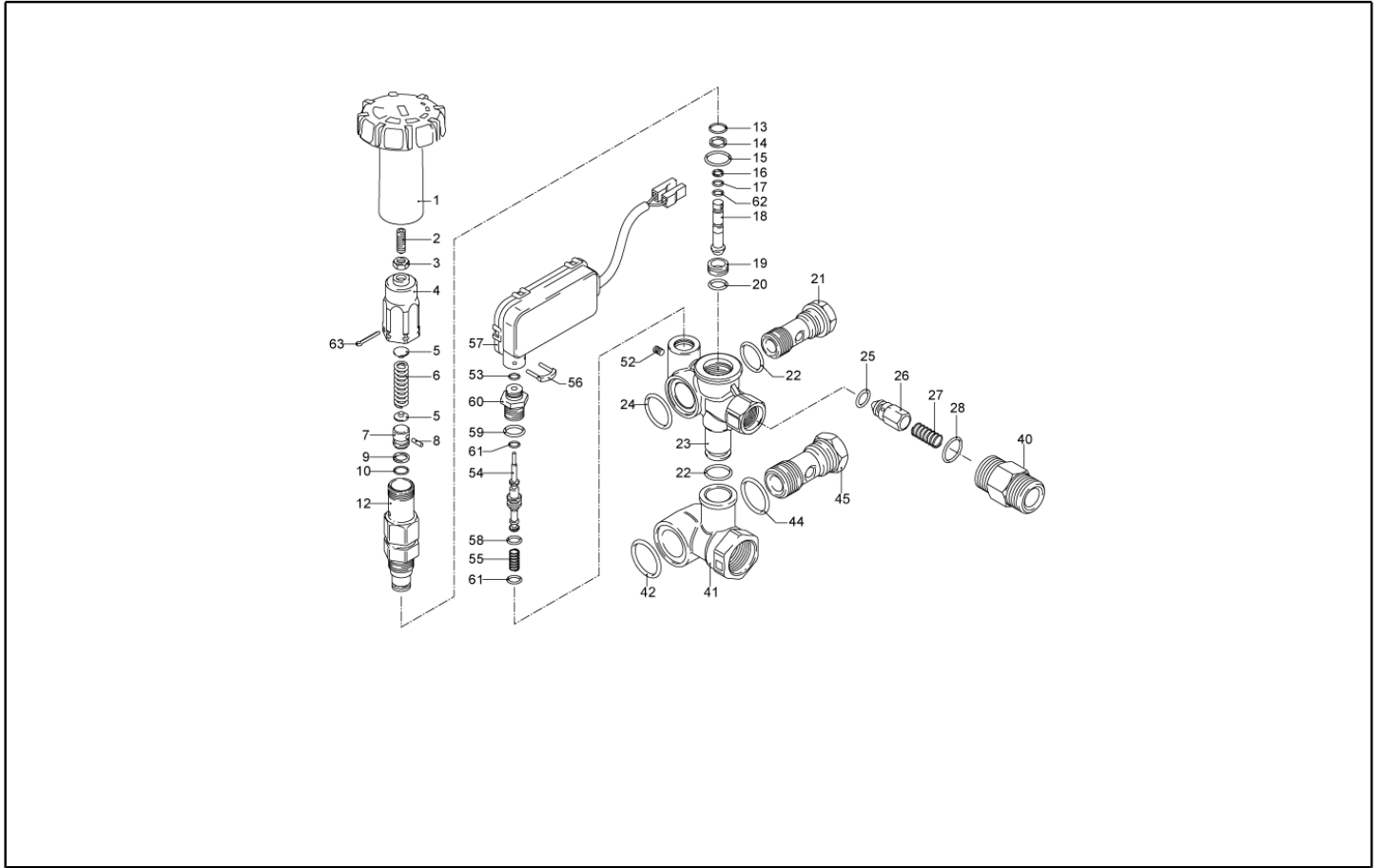
Ref. K	Part n.	Part n. 2	Description	Quantity	Validity		Price
					From	To	
0001	PVVR40227		KNOB M.MT/4B	1,00			--
0002	VTVT19524	00019524	SCREW EI-ST 6X16 UNI 5923	1,00			--
0003	VTDD00482	00000482	NUT M 6 ZIN UNI 5588	1,00			--
0004	PVVR40236		KNOB M.MT/4B	1,00			--
0005	PVVR40067		SPRING PLATE AR XJS	2,00			--
0006	MLML40007		SPRING D. 10.8X48.9 D.2.8 XJS	1,00			--
0007	S PVVR40068		SMALL PISTON AR XJS SP.	1,00			--
0008	S VTVR19193	00019193	PLUG D. 2.5X10	1,00			--
0009	S GUVR40026		ANTI-EXTR.RING D. 8	1,00			--
0010	S GUGO40179	00040179	O-RING D. 8 X 2 NBR 70SH	1,00			--
0012	S PVVR40385		PISTON GUIDE AR XJS 2V.	1,00			--
0013	S GUGO09720	00009720	O-RING D. 14 X 1.78 NBR 70SH	1,00			--
0014	S GUGO63403	00063403	O-RING D. 8.73 X 1.78 NBR 70SH	1,00			--
0015	S GUGO02259	00002259	O-RING D. 15.54 X 2.62 NBR 70SH	1,00			--
0016	S GUVR40027		ANTI-EXTR.RING D. 3.7	1,00			--
0017	S GUGO19189	00019189	O-RING D. 2.90 X 1.78 NBR 70SH	1,00			--
0018	S PVVR40070		CONTROL PISTON AR XJS IF.	1,00			--
0019	S PVVR40071		VALVE SEAT AR XJS	1,00			--
0020	S GUGO41692	00041692	O-RING D. 9 X 1 NBR 70SH	1,00			--
0021	RCDS40068		SCREW G 3/8 M.MATIC 4/B OT.	1,00			--
0022	S GUGO01047	00001047	O-RING D. 11.91 X 2.62 NBR 70SH	2,00			--
0023	PVVR40134		VALVE BODY M.MATIC 4/B TSS	1,00			--
0024	S GUGO19395	00019395	O-RING D. 20.24 X 2.62 NBR 70SH	1,00			--
0025	S GUGO12494	00012494	O-RING D. 4 X 2.5 -NBR 70SH	1,00			--
0026	S PVVR40074		COUPLING N.RIT. XJS	1,00			--
0028	S GUGO11652	00011652	O-RING D. 12.42 X 1.78 NBR 70SH	1,00			--
0040	RCDS40069		NIPPLE G 3/8 M.MATIC 4/B	1,00			--
0041	PVVR40131		CONNECTOR M.MATIC 4/B	1,00			--
0042	S GUGO76542	00076542	O-RING D. 23.47 X 2.62 NBR 70SH	1,00			--
0044	S GUGO01058	00001058	O-RING D. 17.17 X 1.78 NBR 70SH	1,00			--
0045	RCDS40070		SCREW G 1/2 M.MATIC 4/B	1,00			--
0049	VTVR40025		SPLIT PIN D. 2,6X15	1,00			--
0052	VTVT40019		SCREW M 3X 5 EI-ST UNI 5923	1,00			--
0053	S GUGO19207	00019207	O-RING D. 1.78 X 1.78 NBR 70SH	1,00			--
0054	PVVR40136		CONTROL PISTON AR TSS M.MTC	1,00			--
0055	MLML40017		SPRING D. 8.7 X15.9 D.1.2	1,00			--
0056	LAFN40212		PLUG "U" AR TSS	1,00			--
0057	MEPF40018		PRESSURE SWITCH AR TSS 220V N.A. L.430	1,00			--
0058	S GUGO12489	00012489	O-RING D. 6.07 X 1.78 NBR 70SH	1,00			--
0059	S GUGO03496	00003496	O-RING D. 9.25 X 1.78 NBR 70SH	1,00			--
0060	PVVR40137		PISTON GUIDE AR TSS M.MATIC	1,00			--
0061	S GUGO19189	00019189	O-RING D. 2.90 X 1.78 NBR 70SH	2,00			--
0062	S GUGO40031		O-RING D. 3.39 X 1.78 NBR 70SH	1,00			--



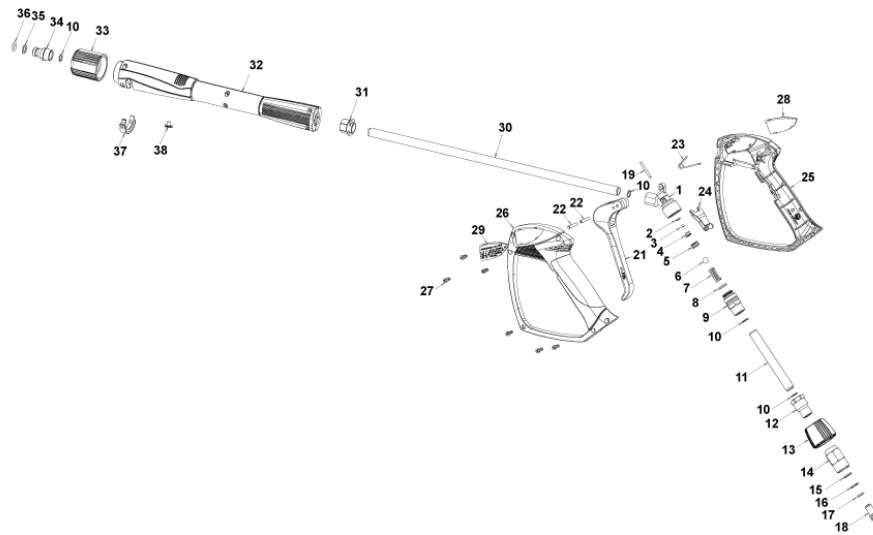
Ref. Part n.	Cust. part n.	Description	Reference	Price
KTRI40128		KIT P 14-101 M.MATIC 4/B CK.V.	0025 0026 0028	--
KTRI40127		KIT P 14-100 M.MATIC 4/B	0007 0008 0009 0010 0012 0013 0014 0015 0016 0017 0018 0019 0020 0062	--
K F KTRI40183		KIT P 15-42916 O-RING	0009 0010 0013 0014 0015 0016 0017 0020 0022 0024 0025 0028 0035 0042 0044 0053 0058 0059 0061 0062	--



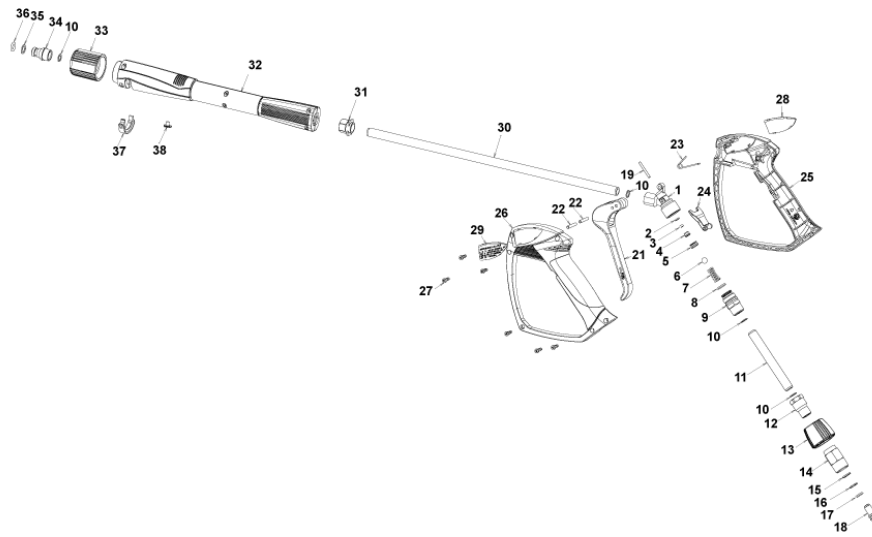
Ref. K	Part n.	Part n. 2	Description	Quantity	Validity		Price
					From	To	
0001	PVVR40227		KNOB M.MT/4B	1,00			--
0002	VTVT19524	00019524	SCREW EI-ST 6X16 UNI 5923	1,00			--
0003	VTDD00482	00000482	NUT M 6 ZIN UNI 5588	1,00			--
0004	PVVR40236		KNOB M.MT/4B	1,00			--
0005	PVVR40067		SPRING PLATE AR XJS	2,00			--
0006	MLML40007		SPRING D. 10.8X48.9 D.2.8 XJS	1,00			--
0007	S PVVR40068		SMALL PISTON AR XJS SP.	1,00			--
0008	S VTVR19193	00019193	PLUG D. 2.5X10	1,00			--
0009	S GUVR40026		ANTI-EXTR.RING D. 8	1,00			--
0010	S GUGO40179	00040179	O-RING D. 8 X 2 NBR 70SH	1,00			--
0012	S PVVR40385		PISTON GUIDE AR XJS 2V.	1,00			--
0013	S GUGO09720	00009720	O-RING D. 14 X 1.78 NBR 70SH	1,00			--
0014	S GUGO63403	00063403	O-RING D. 8.73 X 1.78 NBR 70SH	1,00			--
0015	S GUGO02259	00002259	O-RING D. 15.54 X 2.62 NBR 70SH	1,00			--
0016	S GUVR40027		ANTI-EXTR.RING D. 3.7	1,00			--
0017	S GUGO19189	00019189	O-RING D. 2.90 X 1.78 NBR 70SH	1,00			--
0018	S PVVR40070		CONTROL PISTON AR XJS IF.	1,00			--
0019	S PVVR40071		VALVE SEAT AR XJS	1,00			--
0020	S GUGO41692	00041692	O-RING D. 9 X 1 NBR 70SH	1,00			--
0021	RCDS40068		SCREW G 3/8 M.MATIC 4/B OT.	1,00			--
0022	S GUGO01047	00001047	O-RING D. 11.91 X 2.62 NBR 70SH	2,00			--
0023	PVVR40134		VALVE BODY M.MATIC 4/B TSS	1,00			--
0024	S GUGO19395	00019395	O-RING D. 20.24 X 2.62 NBR 70SH	1,00			--
0025	S GUGO12494	00012494	O-RING D. 4 X 2.5 -NBR 70SH	1,00			--
0026	S PVVR40074		COUPLING N.RIT. XJS	1,00			--
0027	MLML32257	00032257	SPRING D. 6.5 X14 D.0.5	1,00			--
0028	S GUGO11652	00011652	O-RING D. 12.42 X 1.78 NBR 70SH	1,00			--
0040	RCDS40069		NIPPLE G 3/8 M.MATIC 4/B	1,00			--
0041	PVVR40131		CONNECTOR M.MATIC 4/B	1,00			--
0042	S GUGO76542	00076542	O-RING D. 23.47 X 2.62 NBR 70SH	1,00			--
0044	S GUGO01058	00001058	O-RING D. 17.17 X 1.78 NBR 70SH	1,00			--
0045	RCDS40070		SCREW G 1/2 M.MATIC 4/B	1,00			--
0049	VTVR40025		SPLIT PIN D. 2,6X15	1,00			--
0052	VTVT40019		SCREW M 3X 5 EI-ST UNI 5923	1,00			--
0053	S GUGO19207	00019207	O-RING D. 1.78 X 1.78 NBR 70SH	1,00			--
0054	PVVR40136		CONTROL PISTON AR TSS M.MTC	1,00			--
0055	MLML40017		SPRING D. 8.7 X15.9 D.1.2	1,00			--
0056	LAFN40212		PLUG "U" AR TSS	1,00			--
0057	MEPF40018		PRESSURE SWITCH AR TSS 220V N.A. L.430	1,00			--
0058	S GUGO12489	00012489	O-RING D. 6.07 X 1.78 NBR 70SH	1,00			--
0059	S GUGO03496	00003496	O-RING D. 9.25 X 1.78 NBR 70SH	1,00			--
0060	PVVR40137		PISTON GUIDE AR TSS M.MATIC	1,00			--
0061	S GUGO19189	00019189	O-RING D. 2.90 X 1.78 NBR 70SH	2,00			--
0062	S GUGO40031		O-RING D. 3.39 X 1.78 NBR 70SH	1,00			--



Ref. Part n.	Cust. part n.	Description	Reference	Price
KTRI40127		KIT P 14-100 M.MATIC 4/B	0007 0008 0009 0010 0012 0013 0014 0015 0016 0017 0018 0019 0020 0062	--
KTRI40128		KIT P 14-101 M.MATIC 4/B CK.V.	0025 0026 0028	--
K F KTRI40183		KIT P 15-42916 O-RING	0009 0010 0013 0014 0015 0016 0017 0020 0022 0024 0025 0028 0035 0042 0044 0053 0058 0059 0061 0062	--



Ref. K	Part n.	Part n. 2	Description	Quantity	Validity		Price
					From	To	
0001	PVVR40381		GUN BODY G 5100 G1/4F	1,00			--
0002	S	GUVR40074	ANTI-EXTR.RING D. 3 X 7.4X1.3	1,00			--
0003	S	GUGO21835	00021835	O-RING D. 2.84 X 2.62 VIT. 80SH	1,00		--
0004	PVVR40382		PISTON GUIDE G 5100	1,00			--
0005	S	PVVR40112	BALL SEAT G 5000	1,00			--
0006	S	SFVR27026	00027026	BALL D.11/32" INX	1,00		--
0007	MLML40016		SPRING D. 9.4 x21.5x1.6 G5000	1,00			--
0008	GUGO12322	00012322	O-RING D. 14 X 1.78 NBR 90SH	1,00			--
0009	PVVR40383		CONNECTOR COLL.G5100 1/4F	1,00			--
0010	VTRS40017		WASHER D. 8.2X11,4X1.00	4,00			--
0011	PVVR40384		TUBE G 1/4" L.105	1,00			--
0012	RCIN40022		CONNECTOR SWIV G5100 1/4F	1,00			--
0013	MPVR40486		RING NUT G 5100 SW. GR.	1,00			--
0014	RCIN40021		JOINT SWIV 5100 M22	1,00			--
0015	S	GUVR40075	ANTI-EXTR.RING D. 10 X14X1.5	1,00			--
0016	S	GUVR40076	ANTI-EXTR.RING D. 11.2X14X1.2	1,00			--
0017	S	GUGO15295	00015295	O-RING D. 10.82 X 1.78 VIT 75SH	1,00		--
0018	PVVR40386		SCREW SW. G 5100	1,00			--
0019	PVVR40387		SMALL PISTON G 5100	1,00			--
0021	MPVR40487		TRIGGER G 5100-SW	1,00			--
0022	VTVR40047		PLUG D. 4X29	2,00			--
0023	MLML40029		SPRING G 5100	1,00			--
0024	MPVR40488		SAFETY-DEVICE G 5100-SW	1,00			--
0025	MPVR40489		SHELL G 5100-SW DX	1,00			--
0026	MPVR40490		SHELL G 5100-SW SX	1,00			--
0027	VTVT40043		SCREW AF 4X 14 HILO ZN.N	6,00			--
0028	MPVR40491		PLATE G 5100 GR.DX	1,00			--
0029	MPVR40492		PLATE G 5100 GR.SX	1,00			--
0030	LCPR40086		TUBE 1/4 L=420 ZC. 0°	1,00			--
0031	MPVR40493		CONNECTOR G 5100-SW	1,00			--
0032	MPVR40494		PROTECTION P 420 C/AN.	1,00			--
0033	PVVR40119		CONNECTION M22X1.5 IRV G5000	1,00			--
0034	RCIN40009		GUDGEON G 1/4 F IRV G5000	1,00			--
0035	GUVR40034		ANTI-EXTR.RING D. 10 X14	1,00			--
0036	GUGO01946	00001946	O-RING D. 9.13 X 2.62 VIT 70SH	1,00			--
0037	MPVR40495		CAP G 5100 REM.	1,00			--
0038	MPVR40198		CAP G 5000	1,00			--



Ref. Part n.	Cust. part n.	Description	Reference	Price
KTRI40242		KIT P 26- 25 G 5100	0002 0003 0005 0006	--
KTRI40243		KIT P 26- 26 SWIVEL G 5100	0015 0016 0017	--



Ref. K	Part n.	Part n. 2	Description	Quantity	Validity		Price
					From	To	
0001	PVVR40381		GUN BODY G 5100 G1/4F	1,00			--
0002	S	GUVR40074	ANTI-EXTR.RING D. 3 X 7.4X1.3	1,00			--
0003	S	GUGO21835	00021835	O-RING D. 2.84 X 2.62 VIT. 80SH	1,00		--
0004		PVVR40382	PISTON GUIDE G 5100	1,00			--
0005	S	PVVR40112	BALL SEAT G 5000	1,00			--
0006	S	SFVR40002	BALL D.11/32" ALL GR16	1,00			--
0007		MLML40016	SPRING D. 9.4 x21.5x1.6 G5000	1,00			--
0008		GUGO12322	00012322	O-RING D. 14 X 1.78 NBR 90SH	1,00		--
0009		PVVR40383	CONNECTOR COLL.G5100 1/4F	1,00			--
0010		VTRS40017	WASHER D. 8.2X11,4X1.00	4,00			--
0011		PVVR40384	TUBE G 1/4" L.105	1,00			--
0012		RCIN40022	CONNECTOR SWIV G5100 1/4F	1,00			--
0013		MPVR40819	RING NUT G 5100 SW. BK.	1,00			--
0014		RCIN40021	JOINT SWIV 5100 M22	1,00			--
0015	S	GUVR40075	ANTI-EXTR.RING D. 10 X14X1.5	1,00			--
0016	S	GUVR40076	ANTI-EXTR.RING D. 11.2X14X1.2	1,00			--
0017	S	GUGO15295	00015295	O-RING D. 10.82 X 1.78 VIT 75SH	1,00		--
0018		PVVR40386	SCREW SW. G 5100	1,00			--
0019		VTVR40047	PLUG D. 4X29	2,00			--
0020		MPVR40820	TRIGGER G 6000-SW	1,00			--
0021		MPVR40821	SAFETY-DEVICE G 6000-SW	1,00			--
0022		MPVR40822	SHELL G 6000-SW DX	1,00			--
0023		MPVR40823	PLATE G 6000 GR.DX	1,00			--
0024		PVVR40387	SMALL PISTON G 5100	1,00			--
0025		MLML40029	SPRING G 5100	1,00			--
0026		MPVR40824	SHELL G 6000-SW SX	1,00			--
0027		MPVR40825	PLATE G 6000 GR.SX	1,00			--
0028		VTVT40043	SCREW AF 4X 14 HILO ZN.N	12,00			--
0029		LCPR40086	TUBE 1/4 L=420 ZC. 0°	1,00			--
0030		MPVR40493	CONNECTOR G 5100-SW	1,00			--
0031		MPVR40494	PROTECTION P 420 C/AN.	1,00			--
0035		MPVR40198	CAP G 5000	1,00			--
0036		MPVR40495	CAP G 5100 REM.	1,00			--
0037		PVVR40119	CONNECTION M22X1,5 IRV G5000	1,00			--
0038		RCIN40009	GUDGEON G 1/4 F IRV G5000	1,00			--
0039		GUVR40034	ANTI-EXTR.RING D. 10 X14	1,00			--
0040		GUGO01946	00001946	O-RING D. 9.13 X 2.62 VIT 70SH	1,00		--



Ref. Part n.	Cust. part n.	Description	Reference	Price
KTRI40243		KIT P 26- 26 SWIVEL G 5100	0015 0016 0017	--
KTRI40414		KIT P 26- 34 G 6000	0002 0003 0005 0006	--