

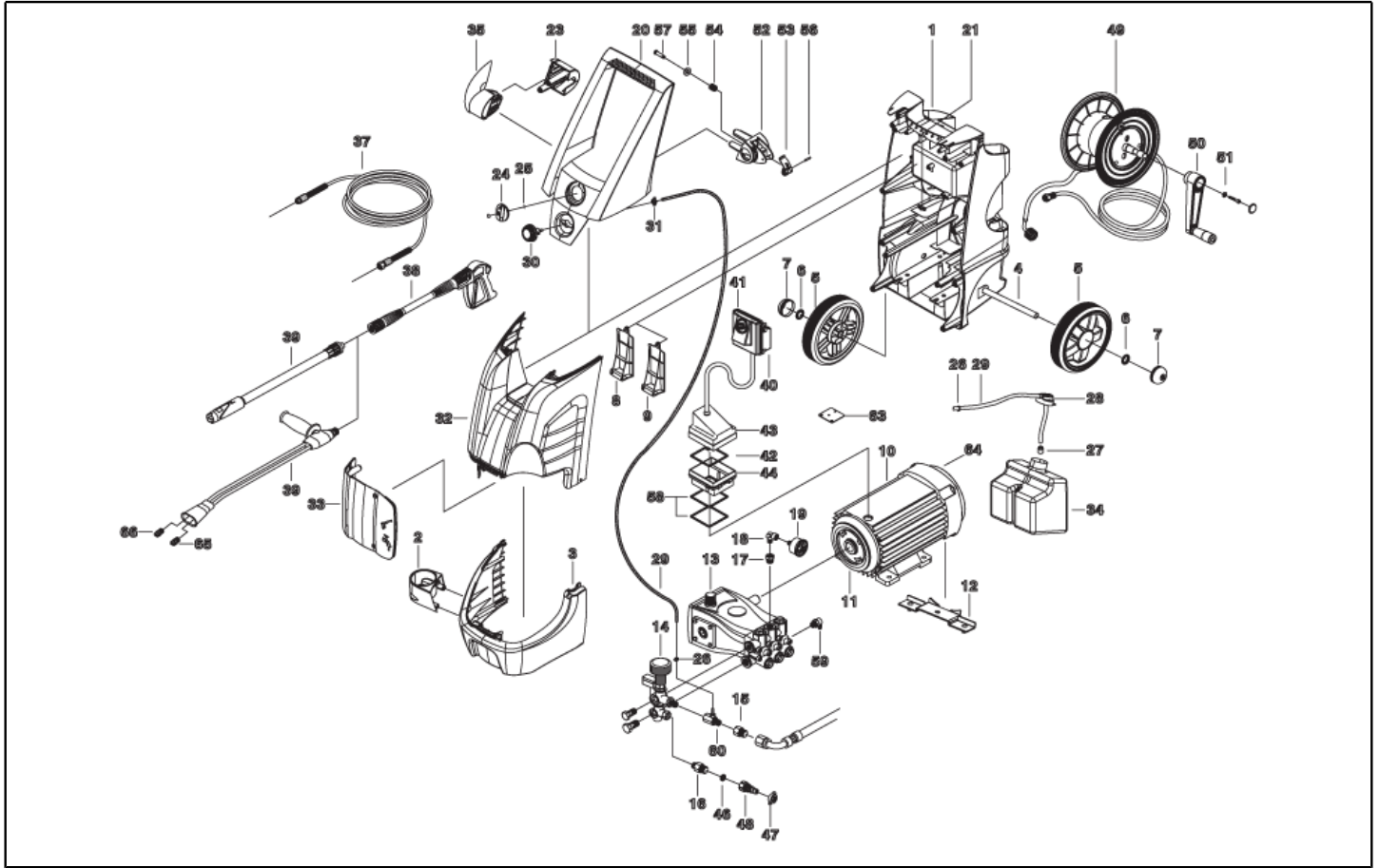


IPC

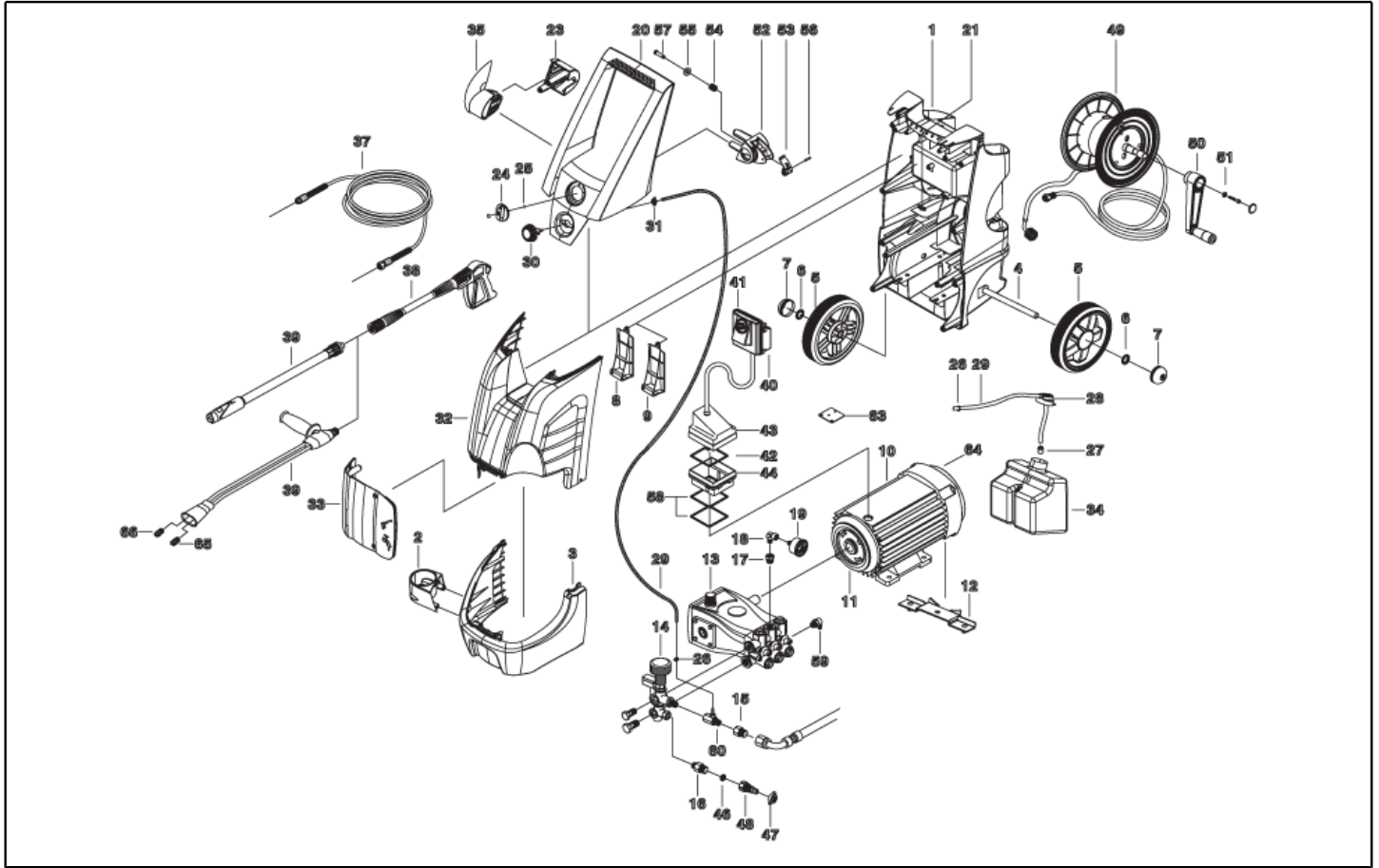
Spare parts list

Ref: IDAF94187

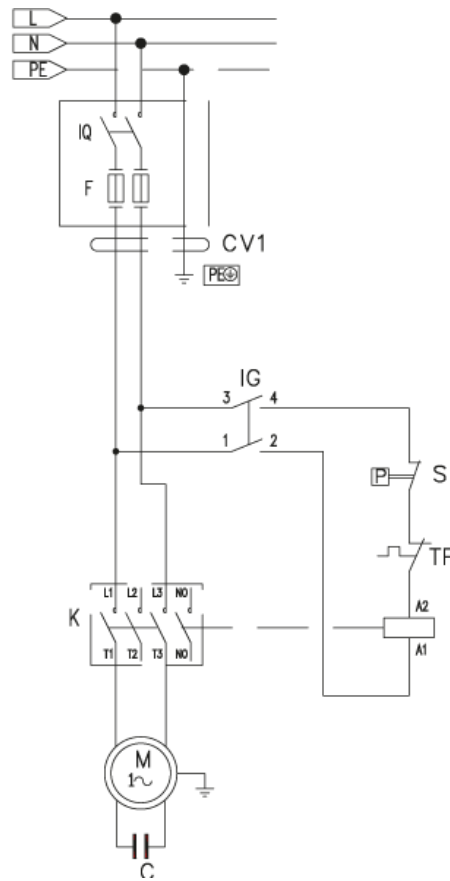
Model: H.P. CLEANER PW-C25P I1310P4 M 230/50



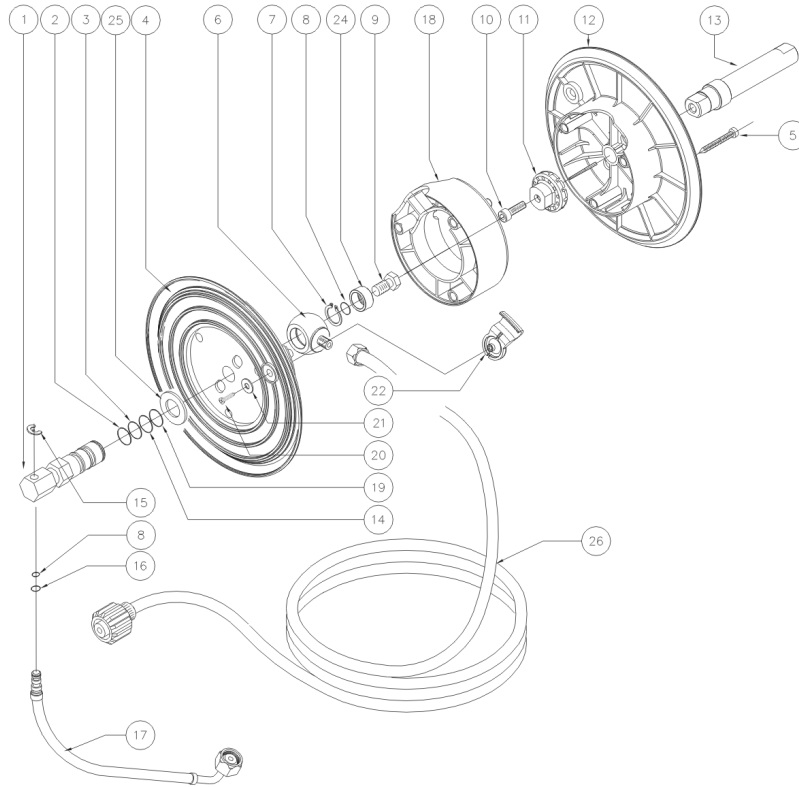
| Ref. K | Part n. | Part n. 2 | Description | Quantity | Validity | | Price |
|--------|-----------|-----------|--|----------|------------|------------|-------|
| | | | | | From | To | |
| 0001 | MPVR94335 | | FRAME "SERIE G-LINE" M90 | 1,00 | | | -- |
| 0002 | MPVR94333 | | SUPPORT LANC. "G-LINE" NERO | 1,00 | 01/08/2012 | | -- |
| 0003 | MPVR94331 | | BAND ANT. "G-LINE" NERA | 1,00 | | | -- |
| 0004 | LAFN92146 | | WHEELS AXLE G LINE. AC ZC. | 1,00 | 23/05/2012 | | -- |
| 0005 | RTRT91967 | | WHEEL D.200 "S.G" GR. | 2,00 | | | -- |
| 0006 | VTRS60945 | 00060945 | WASHER D.15 | 2,00 | | | -- |
| 0007 | MPVR91970 | | GREY HUB CAP "SERIE G" | 2,00 | | | -- |
| 0008 | MPVR93244 | | PLATE TELAIO "SERIE G" DX | 1,00 | | | -- |
| 0009 | MPVR93245 | | PLATE TELAIO "SERIE G" SX | 1,00 | | | -- |
| 0010 | MOMO40029 | | 1PH MOTOR C25/AC HP 3 230-50 4P | 1,00 | | | -- |
| 0011 | MPVR13033 | 00013033 | SPACER SIC H90 | 1,00 | | 03/09/2012 | -- |
| 0013 | PPAP40054 | | PUMP RC 10.12 DX N | 1,00 | | | -- |
| 0014 | VVAZ40058 | | VALVE AR M.MATIC 4/B-RC+TS SI.2 | 1,00 | 12/12/2012 | | -- |
| 0015 | RCIN03753 | 00003753 | MALE COUPLING M22-3/8 M-FA | 1,00 | | 18/07/2013 | -- |
| 0016 | RCDS87610 | 00087610 | NIPPLE 3/4 - 1/2 CB D.13.0 | 1,00 | | | -- |
| 0017 | PVVR40183 | | CAP AR RC C/F. 1/8F+OR | 1,00 | | | -- |
| 0018 | RCVR34780 | 00034780 | ELBOW 1/8" M/F A10 | 1,00 | | | -- |
| 0019 | MNMN93800 | | PRESSURE GAUGE 1/8 POST. 0-300 D.40 S/ST | 1,00 | | | -- |
| 0020 | MPVR92124 | | HANDLE "SERIE PRO" BOSCH | 1,00 | | | -- |
| 0021 | MPVR60495 | 00060495 | CLAMP HOBBY | 1,00 | | | -- |
| 0023 | MPVR92112 | | HOSE WIND.SUPP. "SERIE G" DX | 1,00 | | | -- |
| 0024 | MPVR93837 | | SWITCH KNOB SERIE "G" | 1,00 | 03/04/2012 | | -- |
| 0025 | GUGO01060 | 00001060 | O-RING D. 9.92 X 2.62 NBR 70SH | 1,00 | | | -- |
| 0025 | GUGO40147 | 00040147 | GASKET SLX FP | 1,00 | 22/09/2012 | | -- |
| 0026 | FSVR72803 | 00072803 | CLAMP D 9.3 - 9.9 | 2,00 | | | -- |
| 0027 | MPVR60422 | | SUCTION FILTER DETERG.HOBBY 90 | 1,00 | | | -- |
| 0028 | MPVR91923 | | TANK CAP "G160" | 1,00 | | | -- |
| 0029 | TBBP93804 | | L.P. HOSE D. 6- 9 | 1,07 | 04/09/2012 | | -- |
| 0030 | MPVR93459 | | WING NUT RUBINETTO 3VIE H122 | 1,00 | | | -- |
| 0031 | RCGR93687 | | TAP "G" TAMP. 1T | 1,00 | | | -- |
| 0032 | MPVR94330 | | GREEN COVER "G-LINE" P.368C | 1,00 | | | -- |
| 0033 | MPVR94332 | | FRONT PANEL "G-LINE" TRASPARENTE | 1,00 | | | -- |
| 0034 | MPVR92133 | | DETERGENT TANK "SERIE G" LT 3 | 1,00 | | | -- |
| 0035 | MPVR92116 | | HOOK "SERIE G" DX | 1,00 | | | -- |
| 0038 | IPPR40010 | | GRIP G 5100+P.330 +M22 SW.M V | 1,00 | | | -- |
| 0039 | LCPR40049 | | EXTENSION P 580 - T10P 1.40 Bei | 1,00 | 18/12/2012 | | -- |
| 0039 | LCPR40016 | | LANCE TURBO TTR-16+SF230 D.1.40 | 1,00 | 18/12/2012 | | -- |
| 0040 | MPVR91921 | | BASE SCAT.EL. SERIE "G" | 1,00 | | | -- |
| 0041 | MPVR91919 | | BOX COVER "G160" | 1,00 | | | -- |
| 0042 | GUGO33675 | 00033675 | JOINT MOUSSE D. 4 | 0,40 | 01/08/2012 | | -- |
| 0042 | GLVR82555 | 00082555 | JOINT D. 4 | 0,40 | | 31/07/2012 | -- |
| 0043 | MPVR93776 | | COVER SC.EL. G200X | 1,00 | | 03/09/2012 | -- |
| 0043 | MPVR80674 | 00080674 | COVER SC.EL. FT200 S2 | 1,00 | 22/09/2012 | | -- |
| 0044 | MPVR81806 | 00081806 | BASE-SUPPORT SC.EL. FT200 M100 TST | 1,00 | 04/09/2012 | 10/09/2012 | -- |



| Ref. K | Part n. | Part n. 2 | Description | Quantity | Validity | | Price |
|--------|-----------|-----------|-----------------------------------|----------|------------|------------|-------|
| | | | | | From | To | |
| 0044 | MPVR40425 | | BUSHING PWC25 M90 C/F.DS.M. | 1,00 | 11/09/2012 | | -- |
| 0046 | FTAC91274 | | WATER FILTER 3/4 M.F. | 1,00 | | | -- |
| 0047 | RCVR29602 | 00029602 | CONNECTOR D. 1/2"-5/8" PTC | 1,00 | | | -- |
| 0048 | RCVR29600 | 00029600 | SOCKET PTC 3/4 F | 1,00 | | | -- |
| 0049 | AVTB93901 | | HOSE REEL "G-LI" AP+GM 12 OTS M22 | 1,00 | | | -- |
| 0050 | MPVR92147 | | HANDLE AVV/TUB"SERIE F"138-60 M8 | 1,00 | | | -- |
| 0051 | VTRS00504 | 00000504 | WASHER D. 8 ZC. UNI 6592 | 1,00 | 11/06/2012 | | -- |
| 0052 | MPVR92118 | | HOSE WIND.SUPP. "SERIE G" SX | 1,00 | | | -- |
| 0053 | MPVR92108 | | ECCENTRIC CAM AVTB "G" | 1,00 | | | -- |
| 0054 | MLML92466 | | SPRING SPINTA CAMMA BLOC. "G" | 1,00 | | | -- |
| 0055 | LAFN40163 | 00040163 | SPACER B.PASS 12 | 1,00 | | | -- |
| 0056 | VTVR92465 | | PLUG D. 4X20 UNI 1707 INX | 1,00 | | | -- |
| 0057 | RCDS92467 | | PIN CAMMA BLOC. AVTB "G" | 1,00 | | | -- |
| 0058 | GUGO40014 | | GASKET FTP -MEC 90 | 1,00 | 09/11/2012 | | -- |
| 0060 | EIDT40007 | | EJECTOR 3/8 F/M D.1.8 MV300 | 1,00 | 12/12/2012 | 18/07/2013 | -- |
| 0060 | EIDT40009 | | EJECTOR M22-3/8 M/F D.1.8 MV300 | 1,00 | 19/07/2013 | 13/11/2014 | -- |
| 0060 | EIDT40012 | | EJECTOR M22-3/8 M/F D.1.7 MV300 | 1,00 | 14/11/2014 | | -- |

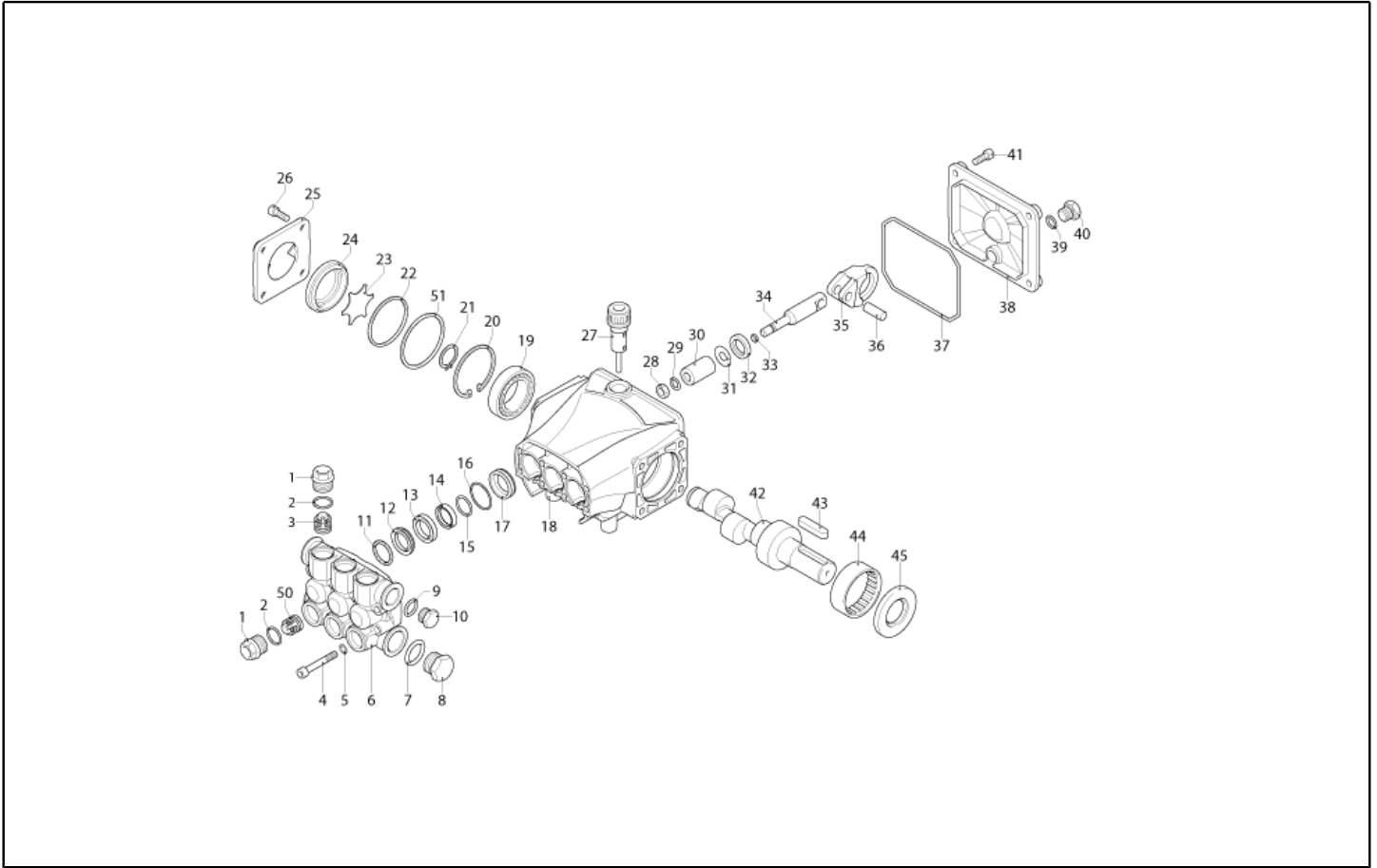


| Ref. K | Part n. | Part n. 2 | Description | Quantity | Validity | | Price |
|--------|-----------|-----------|-----------------------------------|----------|------------|------------|-------|
| | | | | | From | To | |
| C | MECO61717 | 00061717 | CONDENSER 60 MF 400/450V | 1,00 | 21/09/2012 | | -- |
| K | METT40009 | | CONTACTOR SIE 3RT 2016-1AP01 230V | 1,00 | 01/12/2014 | | -- |
| K | METT43231 | 00043231 | CONTACTOR SIE 3RT 1016 1AP01 230V | 1,00 | 11/09/2012 | 30/11/2014 | -- |
| IG | MECI93803 | | SWITCH AQUA 3022/56 A AC + HOLE | 1,00 | | | -- |
| CV1 | MECB93899 | | CABLE H05VVVF 3X1,5 MT 5,5 +SCH | 1,00 | 11/09/2012 | | -- |

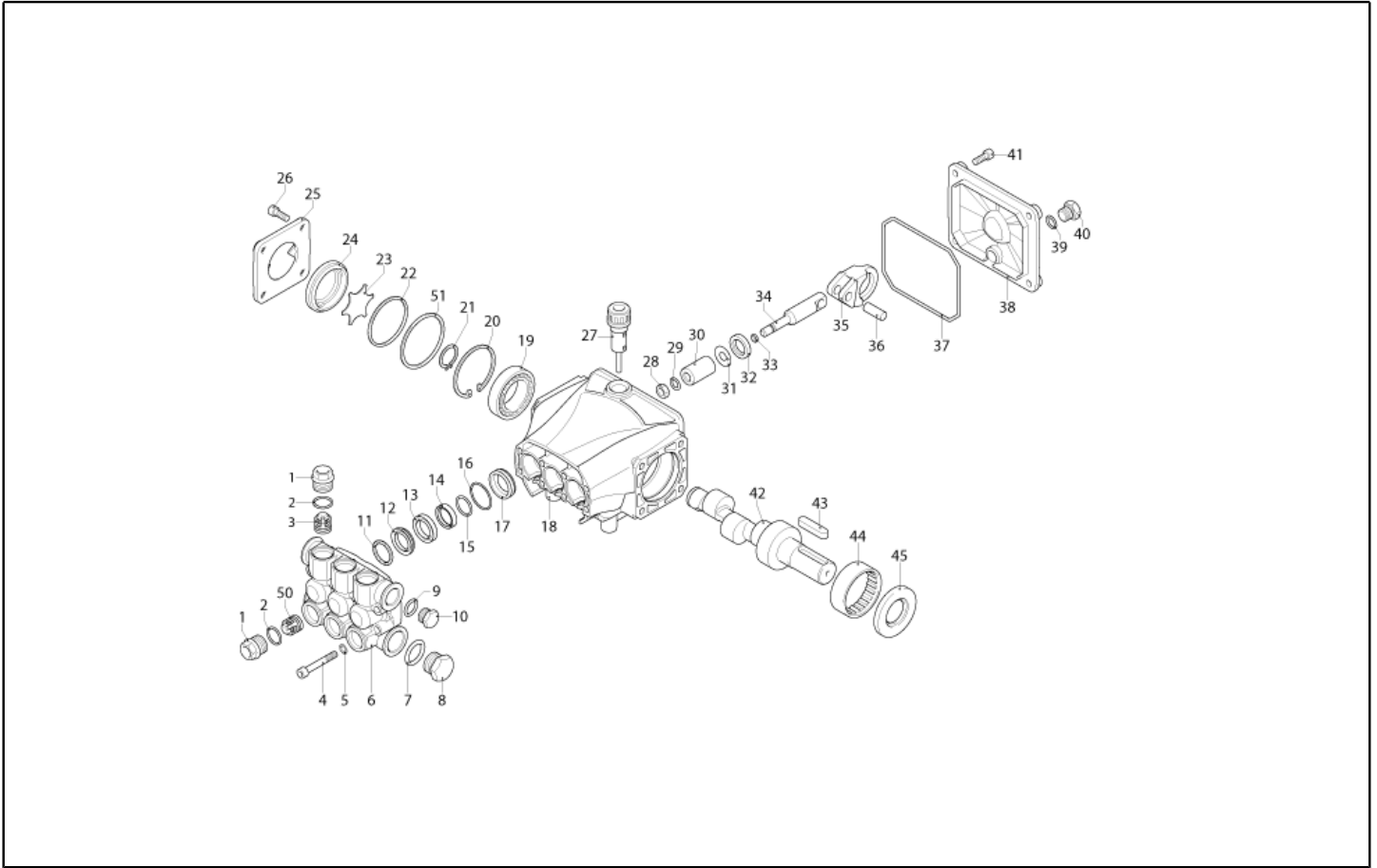


DIS0D078

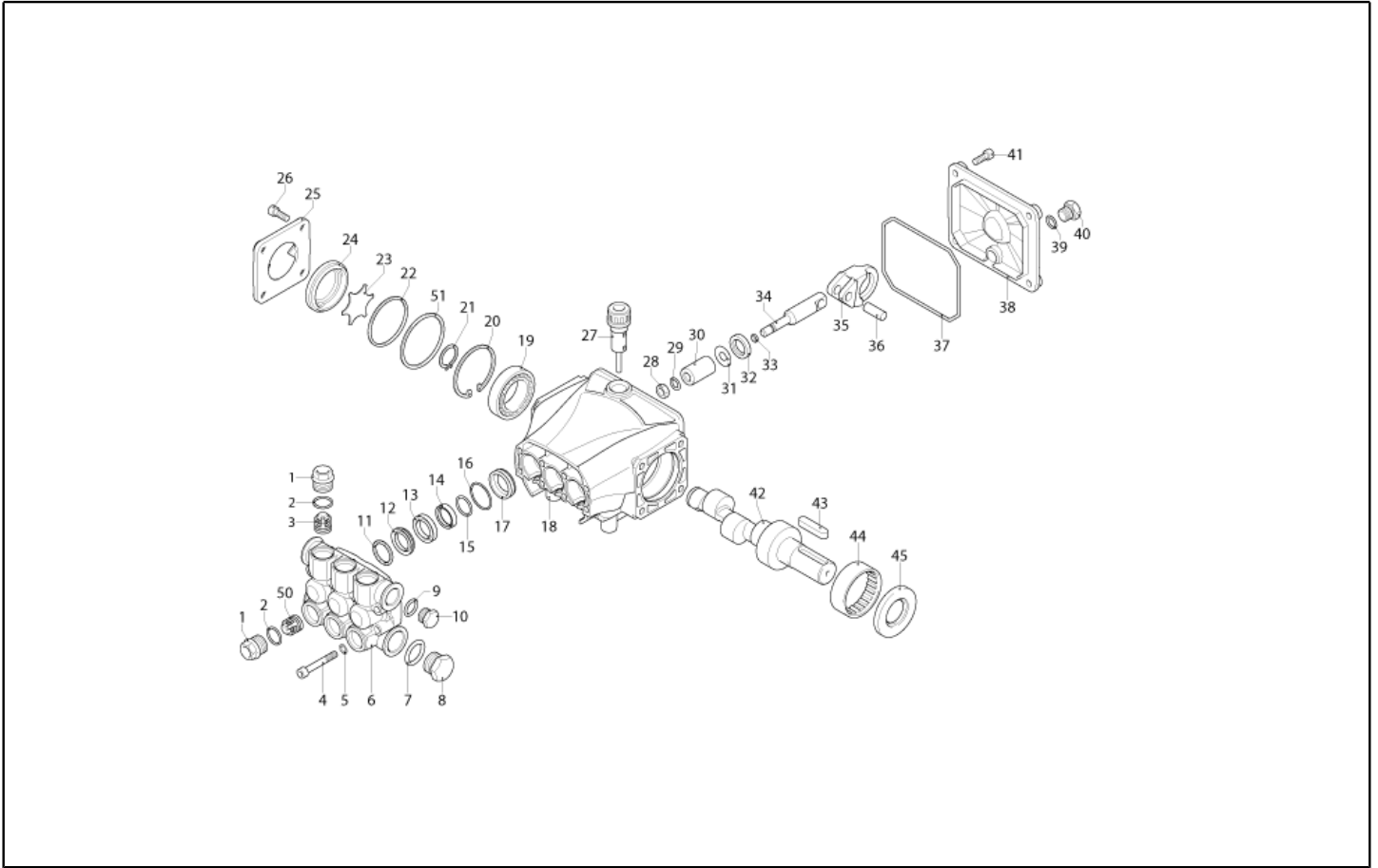
| Ref. K | Part n. | Part n. 2 | Description | Quantity | Validity | | Price |
|--------|-----------|-----------|---|----------|------------|----|-------|
| | | | | | From | To | |
| 0001 | RCDS93816 | | PIN DIFF. AVTB "SERIE G" A.P | 1,00 | | | -- |
| 0002 | GUGO09720 | 00009720 | O-RING D. 14 X 1.78 NBR 70SH | 1,00 | | | -- |
| 0003 | GUVR63567 | | ANTI-EXTR.RING X OR 2056 | 1,00 | | | -- |
| 0004 | MPVR81713 | | DISC HOSE REEL H120 DX | 1,00 | | | -- |
| 0005 | VTVT91877 | | SCREW ATF TSP CROCE 4,5X60 Z.G. | 3,00 | | | -- |
| 0006 | RCDS93835 | | CONNECTOR GRAFF. X TUBO AVTB "G" OT | 1,00 | | | -- |
| 0007 | VTAE63319 | | CIRCLIP D. 16 UNI7435 | 1,00 | | | -- |
| 0008 | GUGO12489 | 00012489 | O-RING D. 6.07 X 1.78 NBR 70SH | 2,00 | | | -- |
| 0009 | RCDS93836 | | SCREW TE M 8X1X13 OT | 1,00 | | | -- |
| 0010 | VTVT07947 | 00007947 | SCREW TCEI 8X20 UNI5931 | 1,00 | | | -- |
| 0011 | MPVR93869 | | DRIVE DISK AVVOLG. SERIE "H122" AP | 1,00 | | | -- |
| 0012 | MPVR81714 | | DISC HOSE REEL H120 SX | 1,00 | | | -- |
| 0013 | MPVR94336 | | DISC AVTB H120 DX x HOT-LINE | 1,00 | | | -- |
| 0013 | RCDS91876 | | PIN MANIGLIA AVV. AQK-1500 | 1,00 | | | -- |
| 0014 | GUGO11652 | 00011652 | O-RING D. 12.42 X 1.78 NBR 70SH | 1,00 | | | -- |
| 0015 | VTAE82459 | 00082459 | RING D. 7 UNI 7434 | 1,00 | | | -- |
| 0016 | GUGO03500 | 00003500 | O-RING D. 6.75 X 1.78 NBR 70SH | 1,00 | | | -- |
| 0017 | TBAP93875 | | HOSE MACCH. AVTB G-line L=800 | 1,00 | | | -- |
| 0018 | MPVR91875 | | SPACER AVTB "G" L= 40mm | 1,00 | | | -- |
| 0019 | GUVR93340 | | ANTI-EXTR.RING 16X13,2X1,45 PTFE SP5611 | 1,00 | | | -- |
| 0020 | VTVT67352 | | SCREW ATF TSP CROCE 4,8X16 ZIN. | 1,00 | | | -- |
| 0021 | VTRS00504 | 00000504 | WASHER D. 8 ZC. UNI 6592 | 1,00 | 25/03/2013 | | -- |
| 0022 | MPVR92672 | | BLOCK TUBO AVTB "G" | 1,00 | | | -- |
| 0023 | MPVR63686 | 00063686 | CAP D.22,5 - O1S/T22,5 | 1,00 | | | -- |
| 0024 | RCDS93495 | | SPACER PERNO DIFF. AVTB "G" | 1,00 | | | -- |
| 0025 | VTRS93497 | | WASHER D.18,5 X24 X0,3 OT | 1,00 | | | -- |
| 0026 | TBAP93827 | | H.P. HOSE 1/4 GM 210B 12MT AVTB | 1,00 | | | -- |



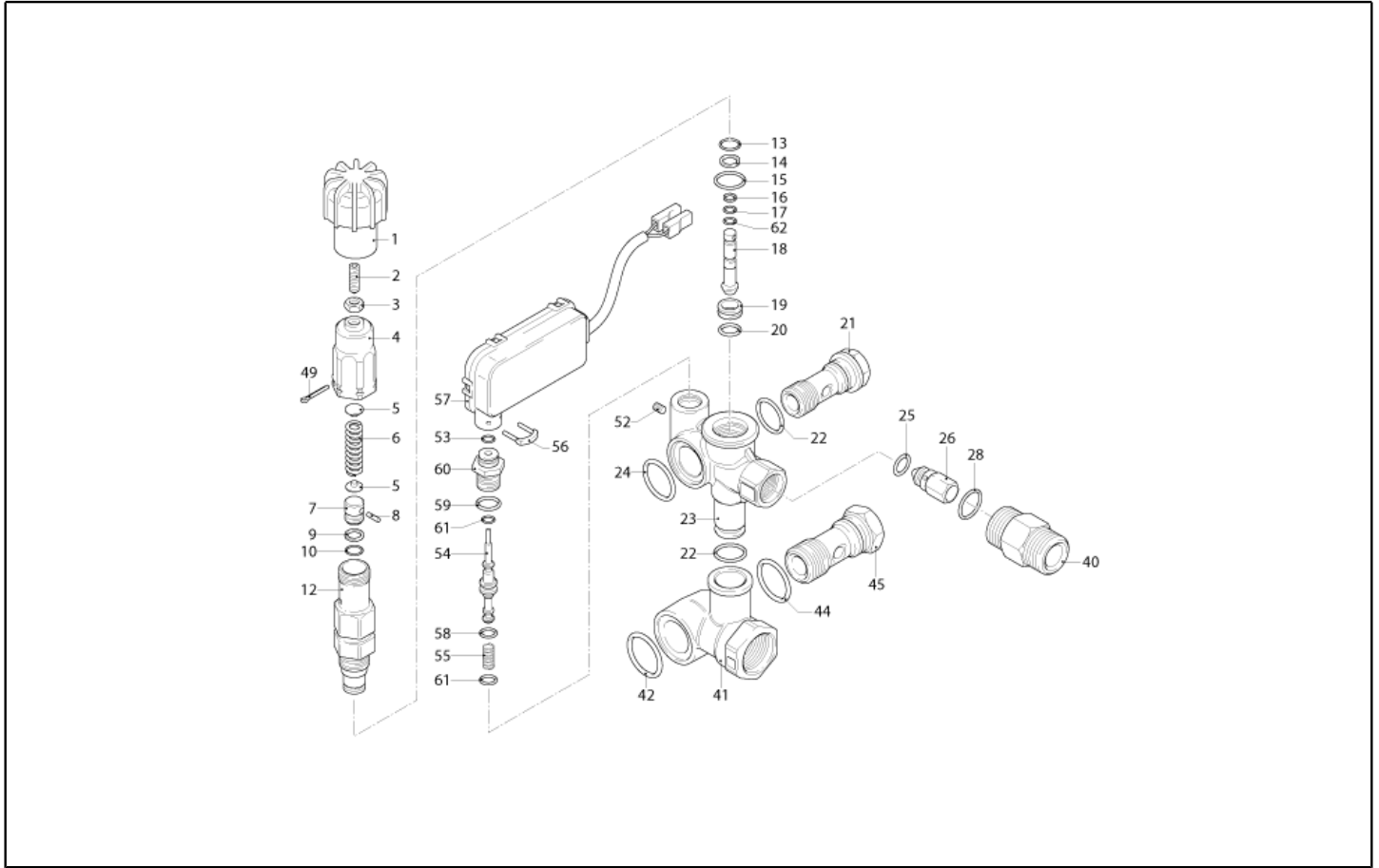
| Ref. K | Part n. | Part n. 2 | Description | Quantity | Validity | | Price |
|--------|-------------|-----------|----------------------------------|----------|------------|------------|-------|
| | | | | | From | To | |
| 0001 | PVVR40120 | | CAP AR RC | 6,00 | | | -- |
| 0002 | GUGO03505 | 00003505 | O-RING D. 15.6 X 1.78 NBR 70SH | 6,00 | | | -- |
| 0003 | S VVAM40002 | | VALVE UNIT RC | 6,00 | | 31/08/2012 | -- |
| 0003 | S VVAM40002 | | VALVE UNIT RC | 3,00 | 01/08/2012 | | -- |
| 0004 | VTVT06236 | 00006236 | SCREW TCCE UNI 5931 6X40 ZB | 8,00 | | | -- |
| 0005 | VTRS01077 | 00001077 | WASHER D. 6.4X10X0,7 | 8,00 | | | -- |
| 0006 | MFVR40019 | | HEAD AR RC OT. | 1,00 | | | -- |
| 0007 | GUGO19245 | 00019245 | O-RING D. 17.5 X 2 NBR 70SH | 1,00 | | | -- |
| 0008 | PVVR40121 | | CAP 1/2 M RC | 1,00 | | | -- |
| 0009 | GUGO09720 | 00009720 | O-RING D. 14 X 1.78 NBR 70SH | 1,00 | | | -- |
| 0010 | PVVR40099 | | CAP 3/8 M HRM | 1,00 | | | -- |
| 0011 | S PVVR40122 | | HEAD RING D. 18 RC | 3,00 | | | -- |
| 0012 | S GUVR40035 | | PACKING D. 18 RC H.P. | 3,00 | | | -- |
| 0013 | PVVR40123 | | INTERMED. RING D. 18 RC | 3,00 | | | -- |
| 0014 | S GUVR40036 | | PACKING D. 18 RC L.P. | 3,00 | | | -- |
| 0015 | S GUVR40037 | | ANTI-EXTR.RING D.21 | 3,00 | | | -- |
| 0016 | S GUGO19290 | 00019290 | O-RING D. 23.52 X 1.78 NBR 70SH | 3,00 | | 31/03/2014 | -- |
| 0016 | GUGO08182 | 00008182 | O-RING D. 21.91 X 1.78 NBR 70SH | 3,00 | 01/04/2014 | | -- |
| 0017 | PVVR40124 | | PACKING RETAIN. D. 18 RC | 3,00 | | | -- |
| 0018 | MFVR40020 | | PUMP CRANKCASE AR RC | 1,00 | | 31/03/2014 | -- |
| 0018 | MFVR40027 | | PUMP CRANKCASE AR RCS | 1,00 | 01/04/2014 | | -- |
| 0019 | CUVR28336 | 00028336 | BALL BEARING 6304 | 1,00 | | | -- |
| 0020 | VTAE09661 | 00009661 | CIRCLIP D. 52 UNI 7437 | 1,00 | | | -- |
| 0021 | VTAE06193 | 00006193 | CIRCLIP D. 20 UNI 7435 | 1,00 | | | -- |
| 0022 | GUGO02561 | 00002561 | O-RING D. 47.3 X 2.62 NBR 70SH | 1,00 | | | -- |
| 0023 | PVVR40125 | | DISC RC | 1,00 | | | -- |
| 0024 | PVVR40126 | | OIL INDICATOR RC | 1,00 | | | -- |
| 0025 | MFVR40021 | | CRANKCASE COVER AR RC LT. | 1,00 | | | -- |
| 0026 | VTVT01531 | 00001531 | SCREW TE 6X 16 UNI 5739 | 4,00 | | | -- |
| 0027 | PVVR19231 | 00019231 | OIL CAP XTS | 1,00 | | 31/03/2014 | -- |
| 0027 | PVVR40436 | | OIL CAP RC | 1,00 | 01/04/2014 | | -- |
| 0028 | VTDD00483 | 00000483 | NUT M 8 ZIN UNI 5588 | 3,00 | | | -- |
| 0029 | VTRS19394 | 00019394 | WASHER D. 8X13X0,5 | 8,00 | | | -- |
| 0030 | S PIVR40005 | | PISTON D.18X30 RC | 3,00 | | | -- |
| 0031 | PVVR19233 | 00019233 | DISC XTS | 3,00 | | | -- |
| 0032 | S GUGO09690 | 00009690 | OIL SEAL 15X 24X 5 NBR70 | 3,00 | | | -- |
| 0033 | GUGO08071 | 00008071 | O-RING D. 4.48 X 1.78 NBR 70SH | 3,00 | | | -- |
| 0034 | PVVR40127 | | PISTON GUIDE RC | 3,00 | | | -- |
| 0035 | BLVR40001 | | CONNECTING ROD RC | 3,00 | | | -- |
| 0036 | PVVR40128 | | GUDGEON D. 9X23 RC | 3,00 | | | -- |
| 0037 | GUGO18695 | 00018695 | O-RING D. 101.27 X 2.62 NBR 70SH | 1,00 | | | -- |
| 0038 | MFVR40022 | | CRANKCASE COVER AR RC | 1,00 | | | -- |
| 0039 | GUGO01036 | 00001036 | O-RING D. 10.82 X 1.78 NBR 70SH | 1,00 | | | -- |
| 0040 | PVVR40129 | | CAP 1/4 M RC | 1,00 | | | -- |



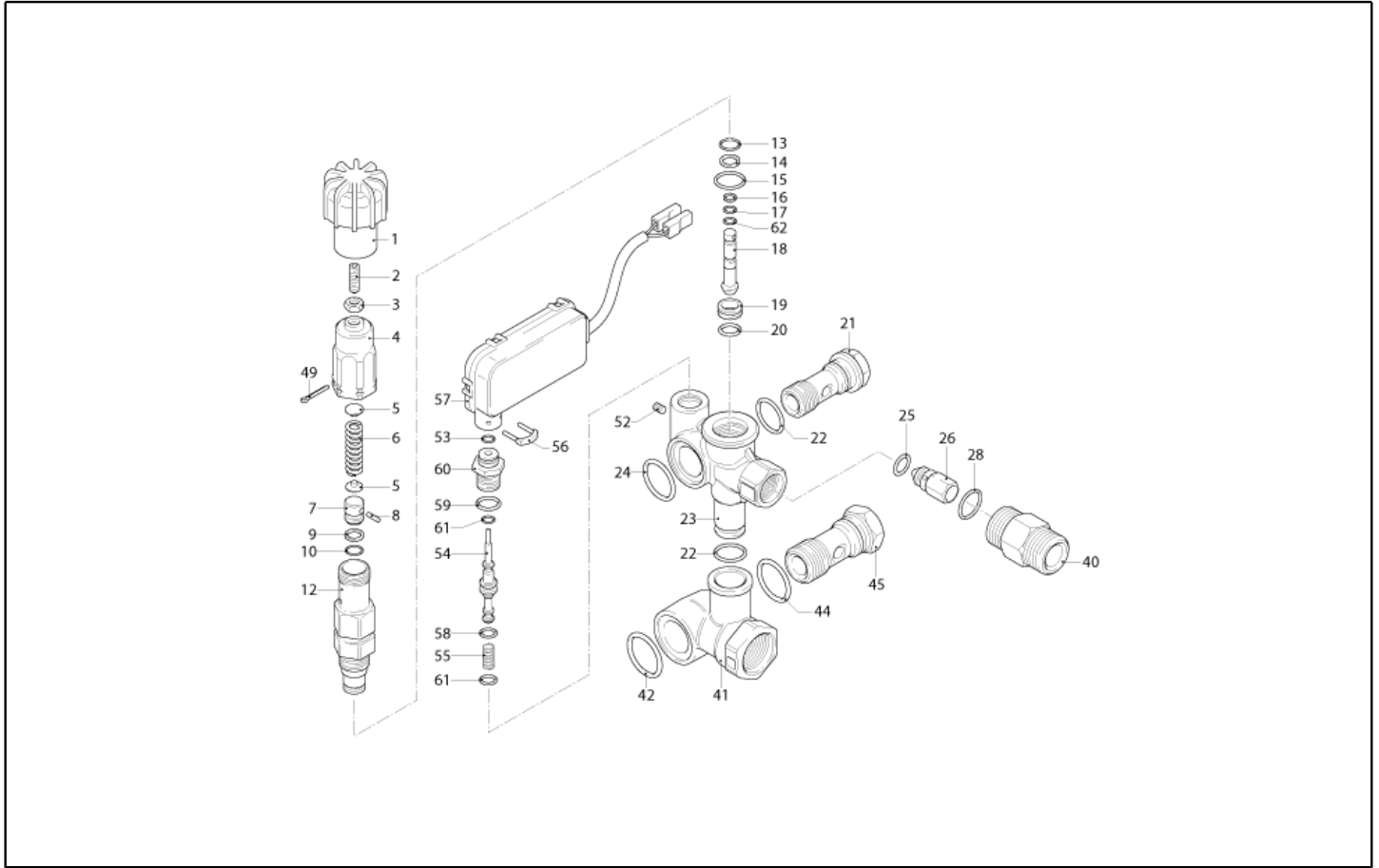
| Ref. K | Part n. | Part n. 2 | Description | Quantity | Validity | | Price |
|--------|-------------|-----------|--------------------------|----------|------------|----|-------|
| | | | | | From | To | |
| 0041 | VTVT09913 | 00009913 | SCREW TCEI 6X16 UNI5931 | 4,00 | | | -- |
| 0042 | ALMO40007 | | SHAFT AR RC 10LT VRS. N | 1,00 | | | -- |
| 0043 | VTVR41531 | 00041531 | KEY 8X 7X35 UNI 6604A | 1,00 | | | -- |
| 0044 | CUVR23636 | 00023636 | ROLLER BEARING HK 4516 | 1,00 | | | -- |
| 0045 | S GUGO00999 | 00000999 | OIL SEAL 25X 52X 7 NBR70 | 1,00 | | | -- |
| 0050 | S VVAM40007 | | VALVE UNIT RC ASP. BK | 3,00 | 01/08/2012 | | -- |
| 0051 | PVVR40437 | | RING D. 51.8 X0.5 | 1,00 | 01/04/2014 | | -- |



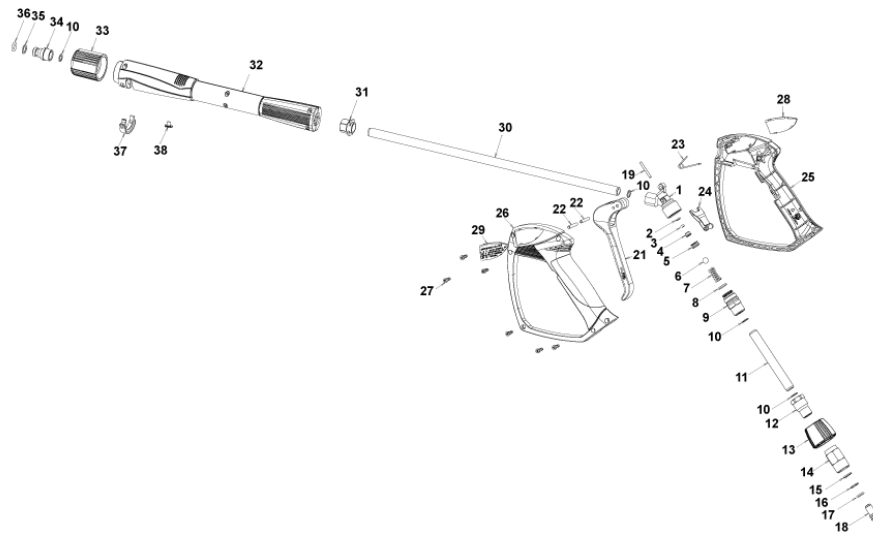
| Ref. Part n. | Cust. part n. | Description | Reference | Price |
|--------------|---------------|-------------------------------|---------------------|-------|
| KTRI40092 | | KIT P 15-2186 RC | 0003 | -- |
| KTRI40093 | | KIT P 15-42917 RC | 0030 | -- |
| KTRI40094 | | KIT P 15-42919 D.18 RC | 0012 0014 0015 0016 | -- |
| KTRI40095 | | KIT P 15-42903 D.18 RC | 0011 | -- |
| KTRI40096 | | KIT P 15-42918 RC | 0032 0045 | -- |
| KTRI40207 | | KIT P 15-42914 RC 3+3 BL./WH. | 0003 0003 | -- |



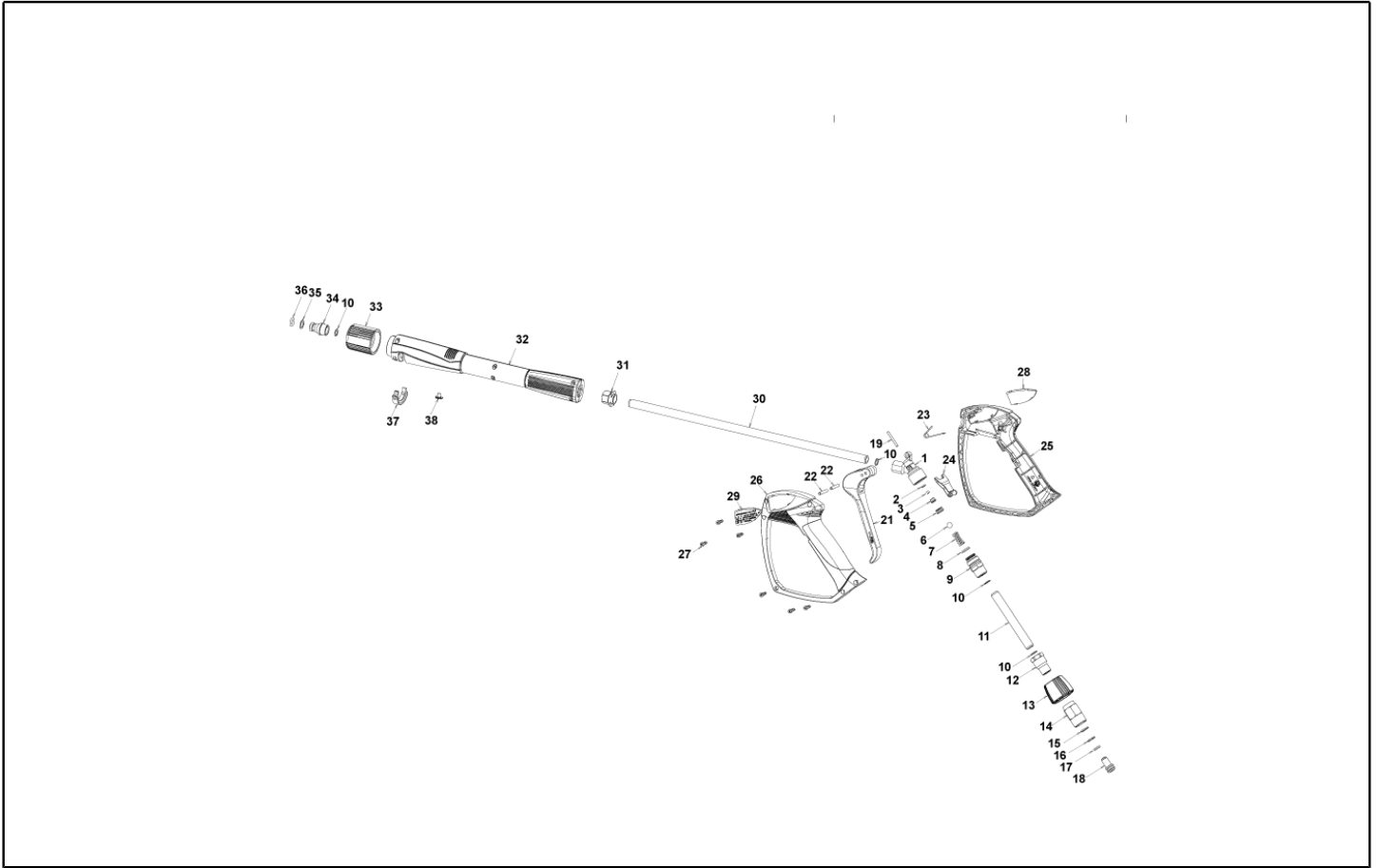
| Ref. K | Part n. | Part n. 2 | Description | Quantity | Validity | | Price |
|--------|-------------|-----------|--|----------|----------|----|-------|
| | | | | | From | To | |
| 0001 | PVVR40227 | | KNOB M.MT/4B | 1,00 | | | -- |
| 0002 | VTVT19524 | 00019524 | SCREW EI-ST 6X16 UNI 5923 | 1,00 | | | -- |
| 0003 | VTDD00482 | 00000482 | NUT M 6 ZIN UNI 5588 | 1,00 | | | -- |
| 0004 | PVVR40236 | | KNOB M.MT/4B | 1,00 | | | -- |
| 0005 | PVVR40067 | | SPRING PLATE AR XJS | 2,00 | | | -- |
| 0006 | MLML40007 | | SPRING D. 10.8X48.9 D.2.8 XJS | 1,00 | | | -- |
| 0007 | S PVVR40068 | | SMALL PISTON AR XJS SP. | 1,00 | | | -- |
| 0008 | S VTVR19193 | 00019193 | PLUG D. 2.5X10 | 1,00 | | | -- |
| 0009 | S GUVR40026 | | ANTI-EXTR.RING D. 8 | 1,00 | | | -- |
| 0010 | S GUGO40179 | 00040179 | O-RING D. 8 X 2 NBR 70SH | 1,00 | | | -- |
| 0012 | S PVVR40385 | | PISTON GUIDE AR XJS 2V. | 1,00 | | | -- |
| 0013 | S GUGO09720 | 00009720 | O-RING D. 14 X 1.78 NBR 70SH | 1,00 | | | -- |
| 0014 | S GUGO63403 | 00063403 | O-RING D. 8.73 X 1.78 NBR 70SH | 1,00 | | | -- |
| 0015 | S GUGO02259 | 00002259 | O-RING D. 15.54 X 2.62 NBR 70SH | 1,00 | | | -- |
| 0016 | S GUVR40027 | | ANTI-EXTR.RING D. 3.7 | 1,00 | | | -- |
| 0017 | S GUGO19189 | 00019189 | O-RING D. 2.90 X 1.78 NBR 70SH | 1,00 | | | -- |
| 0018 | S PVVR40070 | | CONTROL PISTON AR XJS IF. | 1,00 | | | -- |
| 0019 | S PVVR40071 | | VALVE SEAT AR XJS | 1,00 | | | -- |
| 0020 | S GUGO41692 | 00041692 | O-RING D. 9 X 1 NBR 70SH | 1,00 | | | -- |
| 0021 | RCDS40068 | | SCREW G 3/8 M.MATIC 4/B OT. | 1,00 | | | -- |
| 0022 | S GUGO01047 | 00001047 | O-RING D. 11.91 X 2.62 NBR 70SH | 2,00 | | | -- |
| 0023 | PVVR40134 | | VALVE BODY M.MATIC 4/B TSS | 1,00 | | | -- |
| 0024 | S GUGO19395 | 00019395 | O-RING D. 20.24 X 2.62 NBR 70SH | 1,00 | | | -- |
| 0025 | S GUGO12494 | 00012494 | O-RING D. 4 X 2.5 -NBR 70SH | 1,00 | | | -- |
| 0026 | S PVVR40074 | | COUPLING N.RIT. XJS | 1,00 | | | -- |
| 0028 | S GUGO11652 | 00011652 | O-RING D. 12.42 X 1.78 NBR 70SH | 1,00 | | | -- |
| 0040 | RCDS40069 | | NIPPLE G 3/8 M.MATIC 4/B | 1,00 | | | -- |
| 0041 | PVVR40131 | | CONNECTOR M.MATIC 4/B | 1,00 | | | -- |
| 0042 | S GUGO76542 | 00076542 | O-RING D. 23.47 X 2.62 NBR 70SH | 1,00 | | | -- |
| 0044 | S GUGO01058 | 00001058 | O-RING D. 17.17 X 1.78 NBR 70SH | 1,00 | | | -- |
| 0045 | RCDS40070 | | SCREW G 1/2 M.MATIC 4/B | 1,00 | | | -- |
| 0049 | VTVR40025 | | SPLIT PIN D. 2,6X15 | 1,00 | | | -- |
| 0052 | VTVT40019 | | SCREW M 3X 5 EI-ST UNI 5923 | 1,00 | | | -- |
| 0053 | S GUGO19207 | 00019207 | O-RING D. 1.78 X 1.78 NBR 70SH | 1,00 | | | -- |
| 0054 | PVVR40136 | | CONTROL PISTON AR TSS M.MTC | 1,00 | | | -- |
| 0055 | MLML40017 | | SPRING D. 8.7 X15.9 D.1.2 | 1,00 | | | -- |
| 0056 | LAFN40212 | | PLUG "U" AR TSS | 1,00 | | | -- |
| 0057 | MEPF40018 | | PRESSURE SWITCH AR TSS 220V N.A. L.430 | 1,00 | | | -- |
| 0058 | S GUGO12489 | 00012489 | O-RING D. 6.07 X 1.78 NBR 70SH | 1,00 | | | -- |
| 0059 | S GUGO03496 | 00003496 | O-RING D. 9.25 X 1.78 NBR 70SH | 1,00 | | | -- |
| 0060 | PVVR40137 | | PISTON GUIDE AR TSS M.MATIC | 1,00 | | | -- |
| 0061 | S GUGO19189 | 00019189 | O-RING D. 2.90 X 1.78 NBR 70SH | 2,00 | | | -- |
| 0062 | S GUGO40031 | | O-RING D. 3.39 X 1.78 NBR 70SH | 1,00 | | | -- |



| Ref. Part n. | Cust. part n. | Description | Reference | Price |
|---------------|---------------|--------------------------------|--|-------|
| KTRI40128 | | KIT P 14-101 M.MATIC 4/B CK.V. | 0025 0026 0028 | -- |
| KTRI40127 | | KIT P 14-100 M.MATIC 4/B | 0007 0008 0009 0010 0012 0013 0014 0015 0016 0017 0018 0019 0020 0062 | -- |
| K F KTRI40183 | | KIT P 15-42916 O-RING | 0009 0010 0013 0014 0015 0016 0017 0020 0022 0024 0025 0028 0035 0042 0044 0053 0058 0059 0061 0062 | -- |



| Ref. K | Part n. | Part n. 2 | Description | Quantity | Validity | | Price |
|--------|-----------|-----------|--------------------------------|---------------------------------|----------|----|-------|
| | | | | | From | To | |
| 0001 | PVVR40381 | | GUN BODY G 5100 G1/4F | 1,00 | | | -- |
| 0002 | S | GUVR40074 | ANTI-EXTR.RING D. 3 X 7.4X1.3 | 1,00 | | | -- |
| 0003 | S | GUGO21835 | 00021835 | O-RING D. 2.84 X 2.62 VIT. 80SH | 1,00 | | -- |
| 0004 | PVVR40382 | | PISTON GUIDE G 5100 | 1,00 | | | -- |
| 0005 | S | PVVR40112 | BALL SEAT G 5000 | 1,00 | | | -- |
| 0006 | S | SFVR27026 | 00027026 | BALL D.11/32" INX | 1,00 | | -- |
| 0007 | MLML40016 | | SPRING D. 9.4 x21.5x1.6 G5000 | 1,00 | | | -- |
| 0008 | GUGO12322 | 00012322 | O-RING D. 14 X 1.78 NBR 90SH | 1,00 | | | -- |
| 0009 | PVVR40383 | | CONNECTOR COLL.G5100 1/4F | 1,00 | | | -- |
| 0010 | VTRS40017 | | WASHER D. 8.2X11,4X1.00 | 4,00 | | | -- |
| 0011 | PVVR40384 | | TUBE G 1/4" L.105 | 1,00 | | | -- |
| 0012 | RCIN40022 | | CONNECTOR SWIV G5100 1/4F | 1,00 | | | -- |
| 0013 | MPVR40486 | | RING NUT G 5100 SW. GR. | 1,00 | | | -- |
| 0014 | RCIN40021 | | JOINT SWIV 5100 M22 | 1,00 | | | -- |
| 0015 | S | GUVR40075 | ANTI-EXTR.RING D. 10 X14X1.5 | 1,00 | | | -- |
| 0016 | S | GUVR40076 | ANTI-EXTR.RING D. 11.2X14X1.2 | 1,00 | | | -- |
| 0017 | S | GUGO15295 | 00015295 | O-RING D. 10.82 X 1.78 VIT 75SH | 1,00 | | -- |
| 0018 | PVVR40386 | | SCREW SW. G 5100 | 1,00 | | | -- |
| 0019 | PVVR40387 | | SMALL PISTON G 5100 | 1,00 | | | -- |
| 0021 | MPVR40487 | | TRIGGER G 5100-SW | 1,00 | | | -- |
| 0022 | VTVR40047 | | PLUG D. 4X29 | 2,00 | | | -- |
| 0023 | MLML40029 | | SPRING G 5100 | 1,00 | | | -- |
| 0024 | MPVR40488 | | SAFETY-DEVICE G 5100-SW | 1,00 | | | -- |
| 0025 | MPVR40489 | | SHELL G 5100-SW DX | 1,00 | | | -- |
| 0026 | MPVR40490 | | SHELL G 5100-SW SX | 1,00 | | | -- |
| 0027 | VTVT40043 | | SCREW AF 4X 14 HILO ZN.N | 6,00 | | | -- |
| 0028 | MPVR40491 | | PLATE G 5100 GR.DX | 1,00 | | | -- |
| 0029 | MPVR40492 | | PLATE G 5100 GR.SX | 1,00 | | | -- |
| 0030 | LCPR40086 | | TUBE 1/4 L=420 ZC. 0° | 1,00 | | | -- |
| 0031 | MPVR40493 | | CONNECTOR G 5100-SW | 1,00 | | | -- |
| 0032 | MPVR40494 | | PROTECTION P 420 C/AN. | 1,00 | | | -- |
| 0033 | PVVR40119 | | CONNECTION M22X1.5 IRV G5000 | 1,00 | | | -- |
| 0034 | RCIN40009 | | GUDGEON G 1/4 F IRV G5000 | 1,00 | | | -- |
| 0035 | GUVR40034 | | ANTI-EXTR.RING D. 10 X14 | 1,00 | | | -- |
| 0036 | GUGO01946 | 00001946 | O-RING D. 9.13 X 2.62 VIT 70SH | 1,00 | | | -- |
| 0037 | MPVR40495 | | CAP G 5100 REM. | 1,00 | | | -- |
| 0038 | MPVR40198 | | CAP G 5000 | 1,00 | | | -- |



| Ref. Part n. | Cust. part n. | Description | Reference | Price |
|--------------|---------------|----------------------------|---------------------|-------|
| KTRI40242 | | KIT P 26- 25 G 5100 | 0002 0003 0005 0006 | -- |
| KTRI40243 | | KIT P 26- 26 SWIVEL G 5100 | 0015 0016 0017 | -- |