

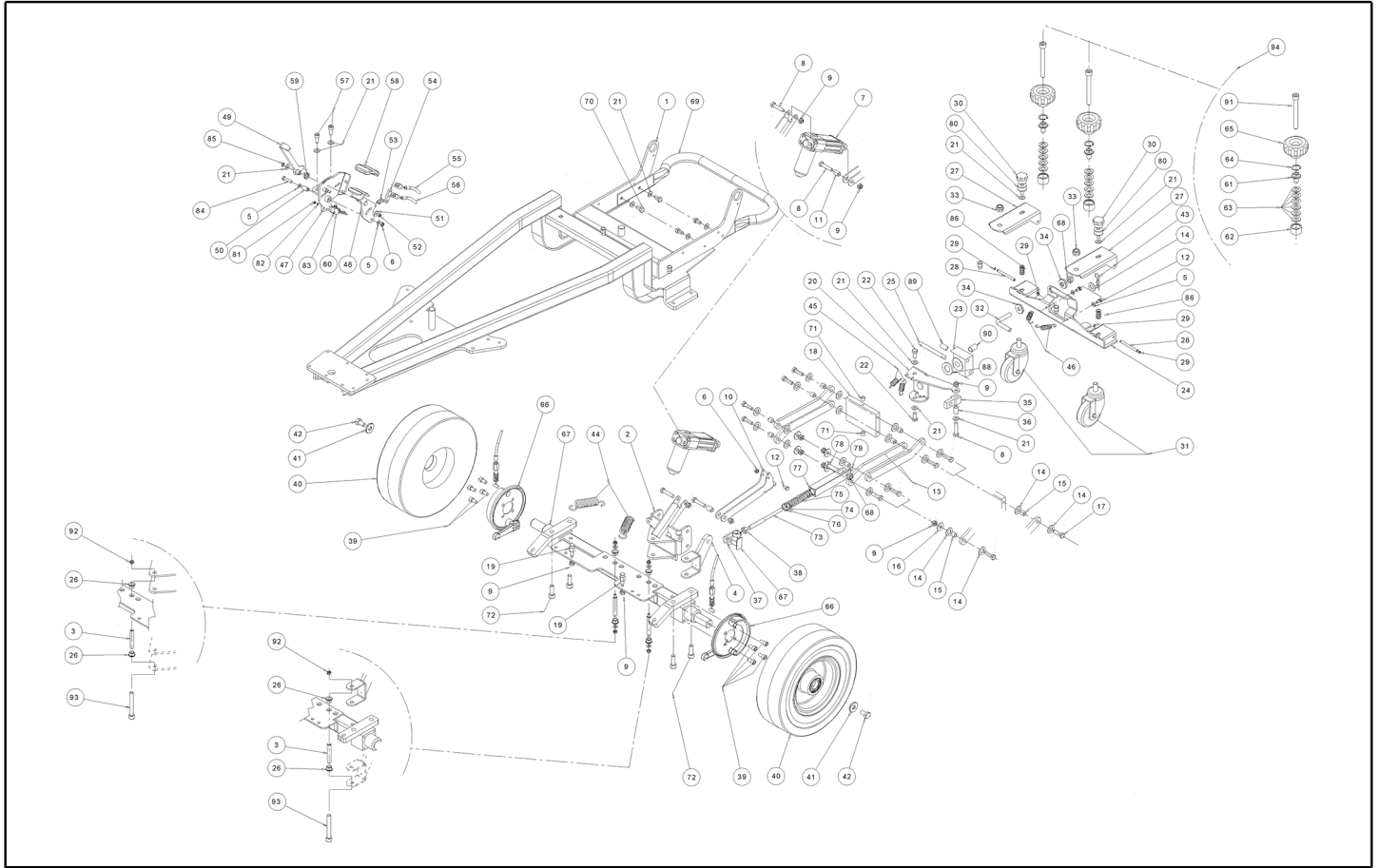


IPC

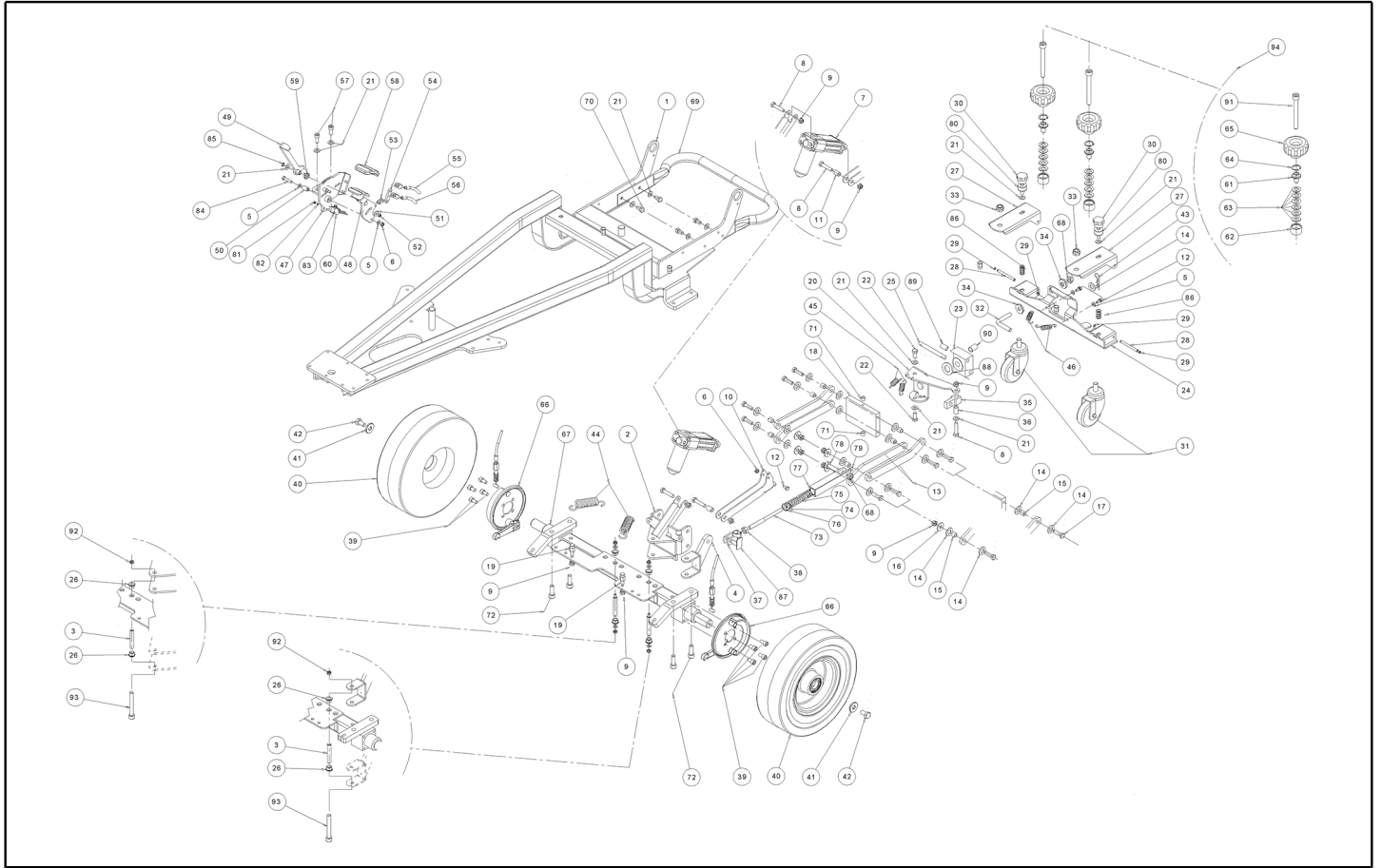
Spare parts list

Ref: LPTB01335

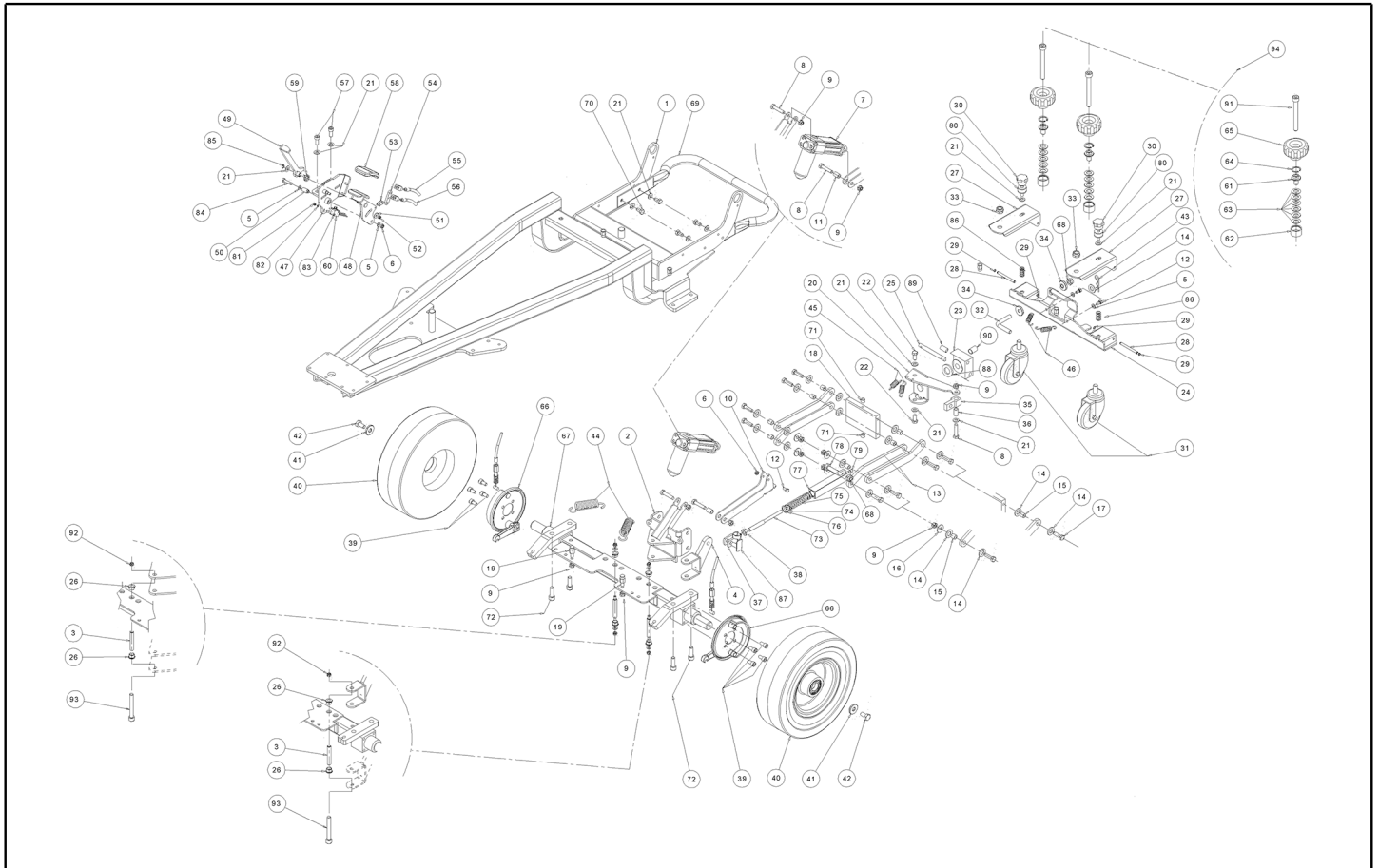
Model: FLOOR WASHER CT160 BT75R SW GR/VE



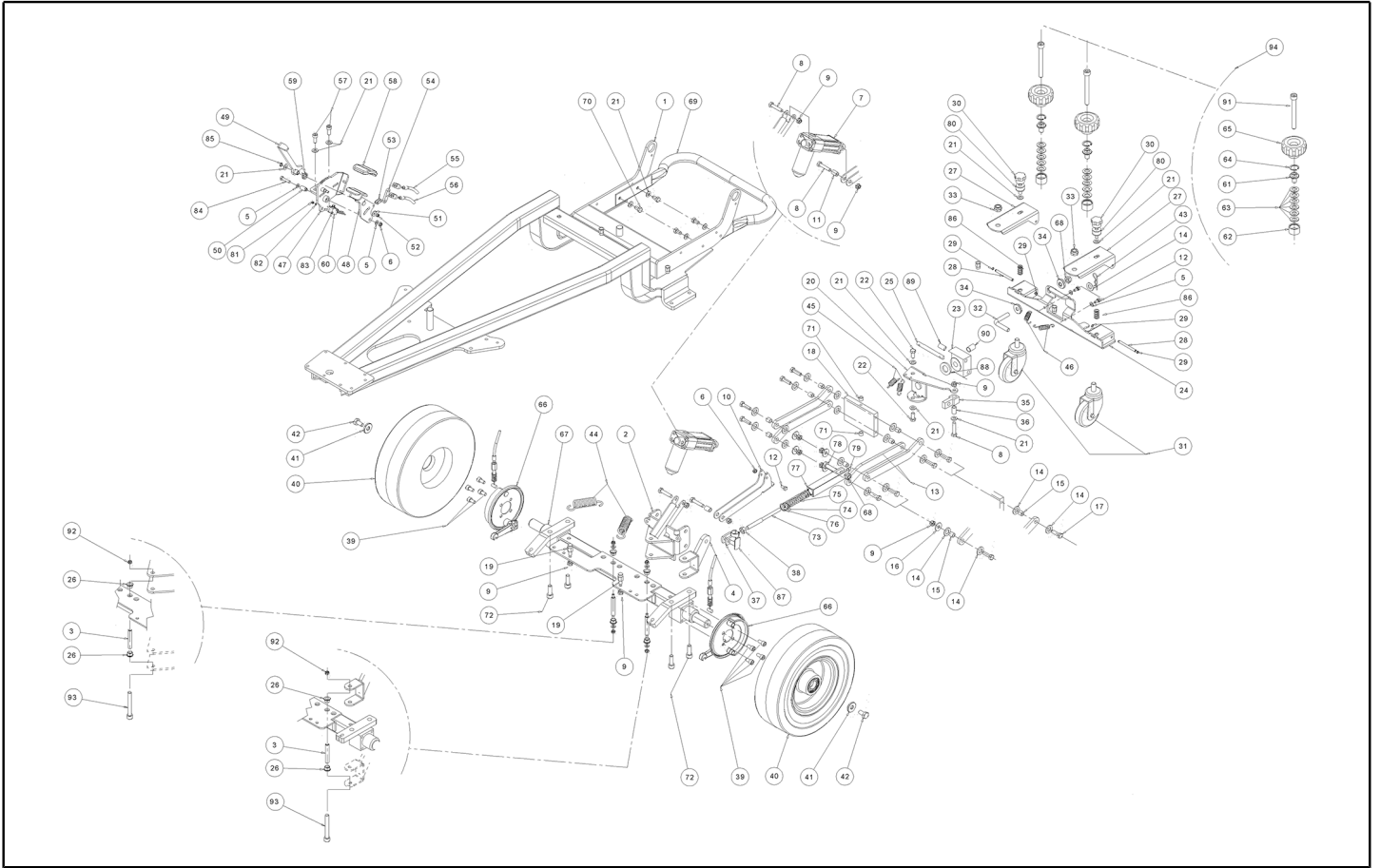
Ref. K	Part n.	Part n. 2	Description	Quantity	Validity		Price
					From	To	
0001	LAFN05790		FRAME COMPLETO CLT160	1,00			--
0002	LAFN05780		ARTICULATION PORTATERGI	1,00	20/05/2004		--
0003	LAFN04138		PIN PARALLELOGRAMMO	2,00		17/07/2012	--
0003	LAFN07879		BUSHING -	2,00	18/07/2012		--
0004	LAFN05778		ASSEMBLED C SNODO ORIZZONTALE	1,00			--
0005	VTRS00503		WASHER D. 6 UNI 6798	8,00			--
0006	VTDD00010		NUT AUTOBLOK DIN 985 M6 BASSO	6,00			--
0007	MOCC00139		ACTUATOR TERGI AO-01M	1,00		31/05/2006	--
0007	MOCC00303		ACTUATOR TERGI AO-01M	1,00	01/06/2006	24/10/2011	--
0007	MOCC00394		ACTUATOR SQUEEGEE CT160-230 36V	1,00	25/10/2011		--
0008	VTVT00708		SCREW TE M. 8-40	3,00	20/05/2004		--
0009	VTDD01695		NUT M 8 INX	9,00	02/06/2005		--
0010	LAFN05777		LEVER SOLLEVAMENTO TERGI	1,00	20/05/2004		--
0011	LAFN04139		SPACER SNODO TERGI	1,00	20/05/2004		--
0012	VTVT15906		SCREW TE 6X 12 A2 UNI 5739	4,00	20/05/2004		--
0013	LAFN05779		ARM PARALLELOGRAMMA	4,00	20/05/2004		--
0014	VTRS15978		WASHER D.12X24 UNI 6592 INX	17,00	02/05/2005		--
0015	LAFN04151		BUSHING X PARALLELOGRAMMA	8,00	28/07/2004		--
0016	VTRS13946		WASHER D. 8 X24 INX UNI 6593	4,00			--
0017	VTVT13937		SCREW TE M 8X 30 INX UNI 5739	8,00	20/05/2004		--
0018	LAFN04125		PLATE TESTATA PARALLELOGR.	1,00	20/05/2004		--
0019	LAFN04143		PIN FISSA MOLLA	2,00			--
0020	LAFN05776		ASSEMBLED SNODO FINALE	1,00	20/05/2004		--
0021	VTRS13947		WASHER D. 8 INX UNI 6592	24,00	20/05/2004		--
0022	VTVT13938		SCREW TE 8X20 UNI5739 INX	2,00			--
0023	LAFN04122		ARTICULATION POSTERIORE	1,00	20/05/2004		--
0024	LAFN05775		ASSEMBLED PORTATERGI	1,00	20/05/2004		--
0025	LAFN04123		PIN SUPPORTO TERGI P.185	1,00	20/05/2004		--
0026	CUVR00139		BUSHING SITERIZZATA	4,00		17/07/2012	--
0026	CUVR00130		BEARING STRISCIAMENTO	4,00	18/07/2012		--
0027	LAFN05809		ARM PORTARUOTA TERGI P185	2,00	20/05/2004	09/06/2011	--
0027	LAFN08993		ARM PORTARUOTA TERGI P185	2,00	10/06/2011		--
0028	LAFN04150		PIN BRACCIO RUOTA TERGI P185	2,00	20/05/2004		--
0029	VTAE48552		CIRCLIP ESTERNO DIN 471 D.6	4,00	20/05/2004		--
0030	VTVR00534		HANDWHEEL 8MAX20 D.40	2,00			--
0031	RTRT00303		WHEEL PORTA TERGI P185	2,00	20/05/2004	14/09/2014	--
0031	RTRT00518		WHEEL CASTOR D.80X30	2,00	15/09/2014		--
0032	LAFN04135		REGISTER CAMPANATURA TERGI	1,00	20/05/2004		--
0033	VTDD00176		NUT M.12 INOX A2 BASSO AUTOB.	2,00	20/05/2004		--
0034	LAFN04136		KNOB REGISTRO TERGI	2,00	20/05/2004		--
0035	LAFN04124		BLOCK SNODO PARAL ORIZ	1,00	20/05/2004		--
0036	LAFN04158		SPACER PARALL.LATER.TERGI P185	1,00	20/05/2004		--
0037	CMCV00314		FORK M.10 CPL.CLIP	1,00			--
0038	VTDD00154		NUT M.10 INOX A2	1,00			--



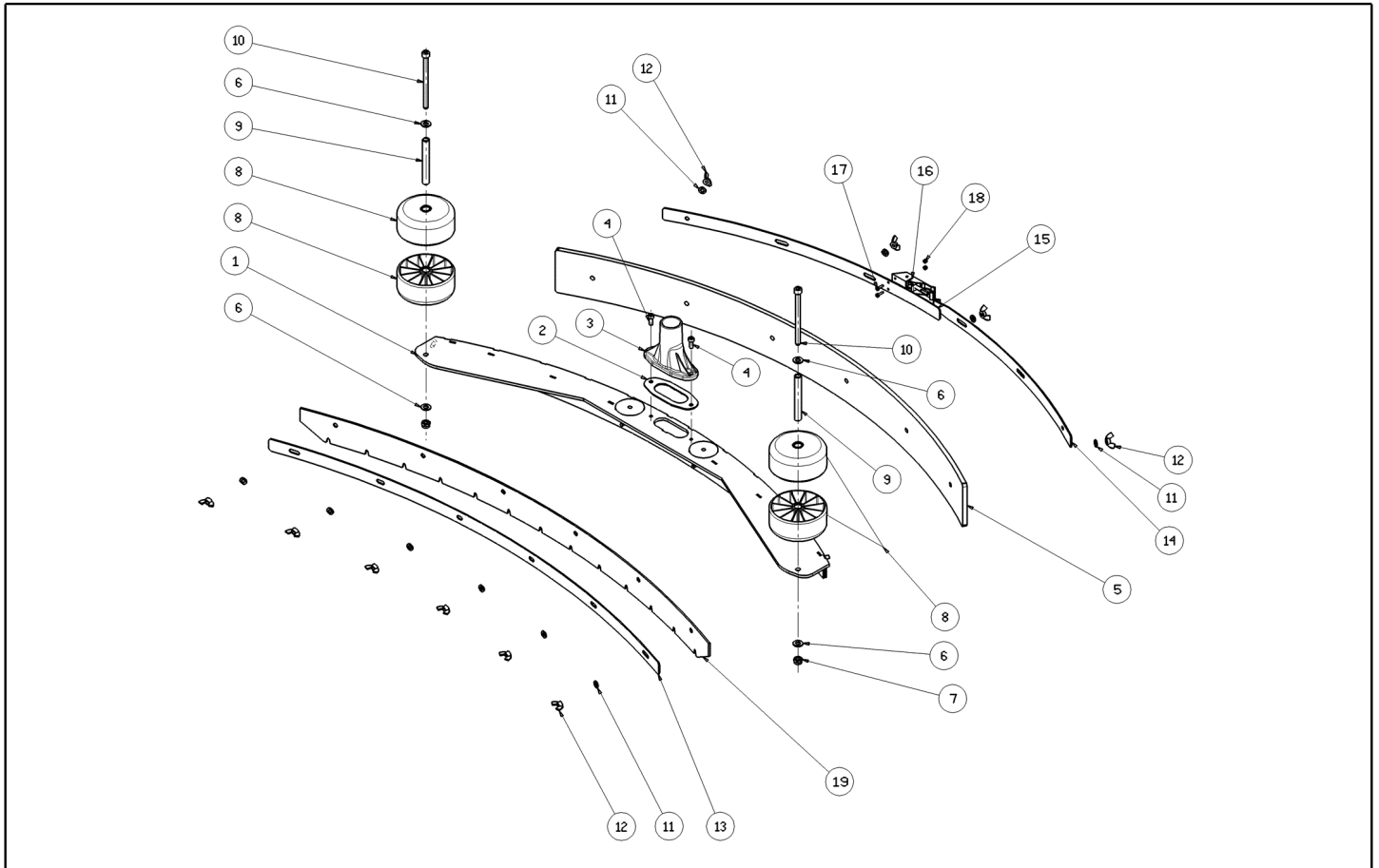
Ref. K	Part n.	Part n. 2	Description	Quantity	Validity		Price
					From	To	
0039	VTVT00876		SCREW TCEI M.8-16	8,00	26/04/2005		--
0040	RTRT00301		WHEEL REAR D.306 4.00-4 CT160	2,00			--
0041	LAFN04144		WASHER RUOTE POSTERIORI	2,00			--
0042	VTVT13936		SCREW TE M 10X 20	2,00			--
0043	VTVR00226		SPLIT PIN ELASTICA D2	1,00	20/05/2004		--
0044	MLML00241		SPRING BRUSH PRES. CT110-160-230	2,00			--
0045	MLML00243		SPRING PRESSIONE TERGI P185	2,00	20/05/2004	29/05/2006	--
0045	MLML00022		SPRING GANCIO ARPIONE	2,00	30/05/2006		--
0046	MLML00242		SPRING LIVELLAMENTO TERGI P185	2,00	20/05/2004		--
0047	S LAFN05766		SUPPORT PEDALE CPL	1,00			--
0048	S LAFN05767		ASSEMBLED PEDALE FRENO	1,00			--
0049	S LAFN51019		PEDAL BLOCCO	1,00			--
0050	S LAFN04142		PIN PEDALE FRENO	1,00			--
0051	VTRS15958		WASHER UNI 6592 5X15X1,5 ZB	1,00			--
0052	VTDD15517		NUT M 5 INX	1,00			--
0053	MTCR47037		JOINT 3/8 PER CATENA TK 1000	1,00			--
0054	S LAFN05769		BALANCER PER CAVI FRENO	1,00			--
0055	S CMCV00311		CABLE FRENO SX	1,00			--
0056	S CMCV00310		CABLE FRENO DX	1,00			--
0057	VTVT01351		SCREW M8-20 INOX A2 -70	2,00			--
0058	S MPVR45096		PEDAL COVER GRANDE V1021	1,00			--
0059	S MLML00237		SPRING RICHIAMO PEDALE B.F. P185	1,00			--
0060	MECI44780		MICROSWITCH IP67 OMRON D2VW-5L2A-1M	1,00			--
0061	LAFN04121		PIN MOLLE A TAZZA	2,00		27/02/2012	--
0061	LAFN07939		PLATE XS	2,00	28/02/2012		--
0062	LAFN04137		CONTAINER MOLLE A TAZZA	1,00			--
0063	MLML00245		SPRING A TAZZA	12,00			--
0064	VTAE13513		CIRCLIP D. 26 UNI 7437	2,00			--
0065	CHVR00500		HANDLE A RIPRESA M8x40	2,00		27/02/2012	--
0065	VTVR00047		HANDWHEEL D.50 M8	2,00	28/02/2012		--
0066	RTRT45090		BRAKE PORTACEPPO D.125 TK1400	2,00	17/05/2004		--
0067	LAFN05792		ASSEMBLED ASSALE POSTERIORE	1,00		17/07/2012	--
0067	LAFN07957		AXLE CT160	1,00	18/07/2012		--
0068	VTDD00151		NUT M.10	1,00	16/03/2005		--
0069	LAFN06275		HOSE ROLL BAR POSTER. CLT160	1,00			--
0070	VTVT15916		SCREW TE M 8X 16 UNI 5739 A2	4,00			--
0071	LAFN04157		BUSHING SNODO FINALE	2,00	20/05/2004		--
0072	VTVT00307		SCREW TCEI M10X30	4,00	20/05/2004		--
0073	LAFN06819		HOSE AMMORTIZZATORE TERGI	1,00	16/03/2005		--
0074	LAFN06818		HOSE MOLLA AMMORTIZZATORE	2,00	16/03/2005		--
0075	MLML00290		SPRING AMMORTIZZATORE TERGI	1,00	16/03/2005		--
0076	VTAE47053		SCREW TE UNI 5737 6X100 ZB	1,00	16/03/2005		--
0077	LAFN06817		HOSE AMMORTIZZATORE	1,00	16/03/2005		--
0078	VTVT01549		SCREW TE M10-40	1,00	16/03/2005		--



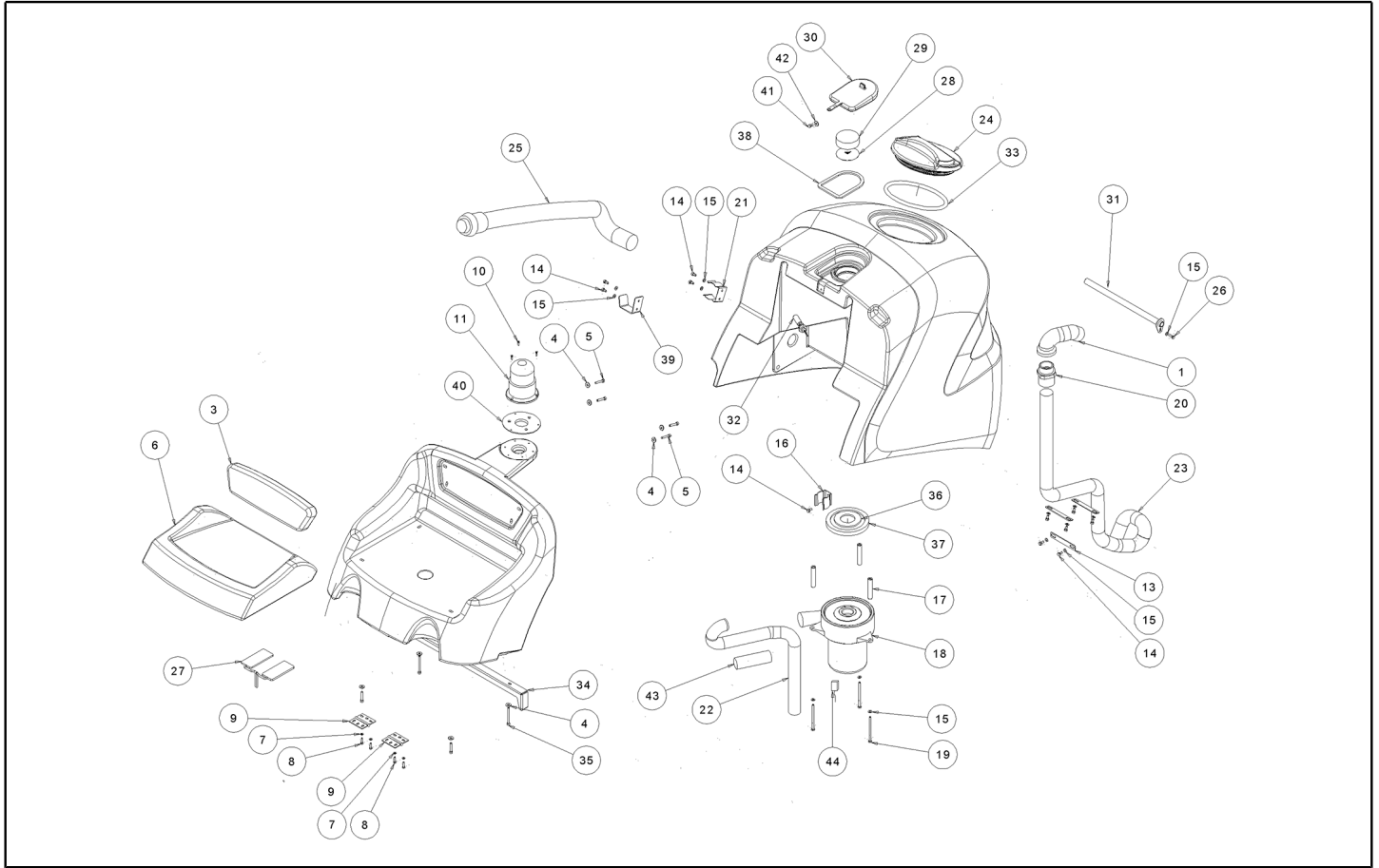
Ref. K	Part n.	Part n. 2	Description	Quantity	Validity		Price
					From	To	
0079	VTVT01314		SCREW TCEI M6 X 12 INOX	1,00	16/03/2005		--
0080	ABGO00042		VIBRATION DAMP. SQUEEGEE CASTORS CT160	2,00	15/06/2005		--
0081	VTDD21115		NUT M 3 INOX	2,00			--
0082	VTRS21116		WASHER D. 3 INX	4,00			--
0083	VTVT01350		SCREW M3-20 INOX	2,00			--
0084	VTVT00433		SCREW TE M 6X 30 UNI 5739 INX	1,00	02/05/2005		--
0085	VTAE14096		SEGER ESTERNO DIN 471 D.8	1,00			--
0086	MLML00239		SPRING PER RUOTE TERGI P185	2,00	20/05/2004		--
0087	CMCV00007		CLIP X FORCELLA UNI 1676 M10	1,00			--
0088	VTRS00250		WASHER D.14	1,00	21/05/2009		--
0089	MPVR00011		BUSHING GLYCODUR GLY.PG 10-12-20F	3,00	21/05/2009		--
0090	MPVR05638		BUSHING GLYCODUR GLY.PG 10-12-20F	1,00	22/06/2009		--
0091	VTVT01198		SCREW TCEI M8X70	2,00	28/02/2012		--
0092	VTDD01695		NUT M 8 INX	2,00	18/07/2012		--
0093	VTVT01148		SCREW TCEI M8X70	2,00	18/07/2012	14/06/2015	--
0093	VTVT01701		STUD BOLT M8X90	2,00	15/06/2015		--
0094	KTRI02079		KIT SQUEEGEE KNOBS CT160-230	1,00			--



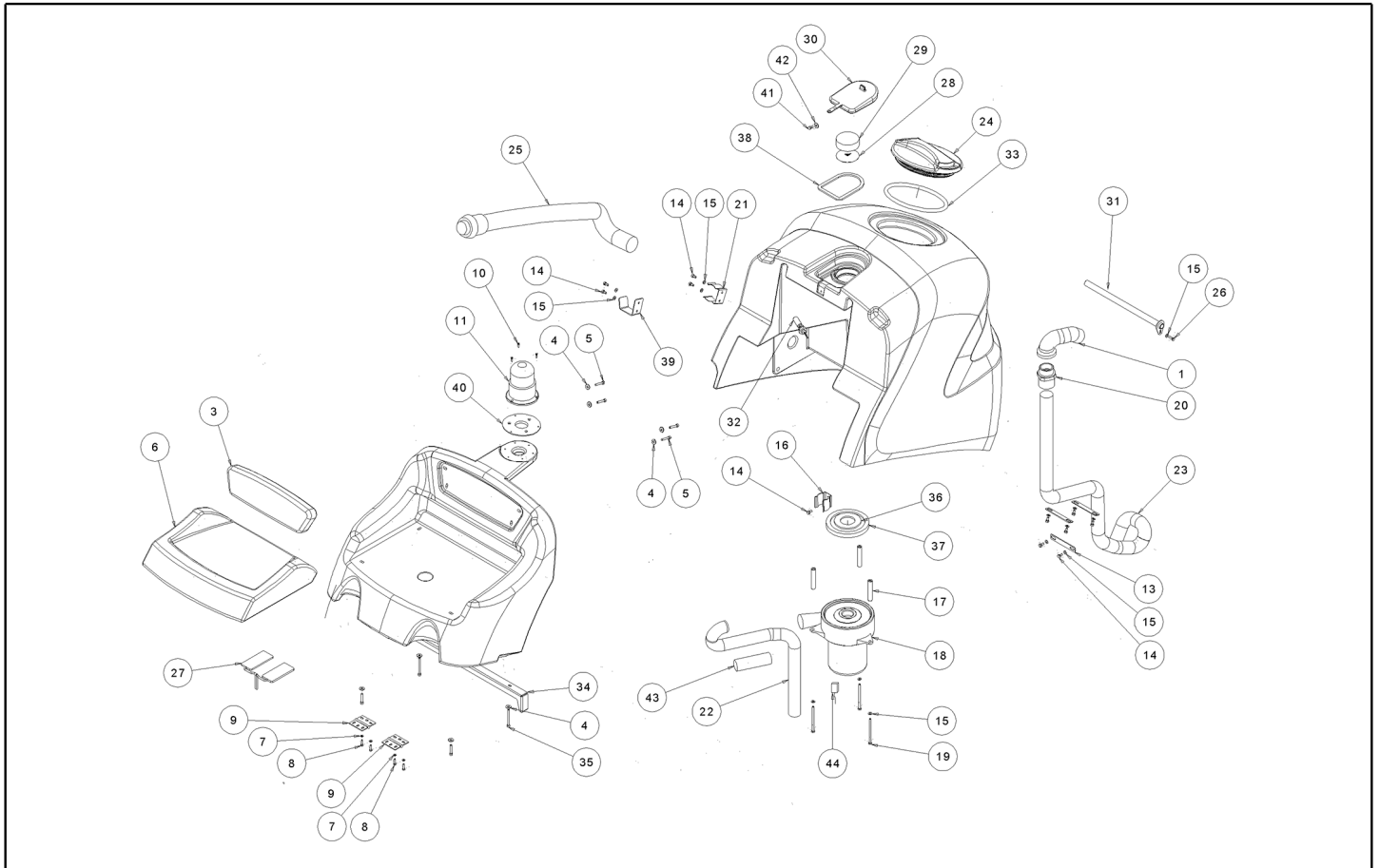
Ref. Part n.	Part n. 2	Description	Reference	Price
PMVR01131		BRAKE CLEANTIME 160 COMPLETO	0047 0048 0049 0050 0054 0055 0056 0058 0059	--



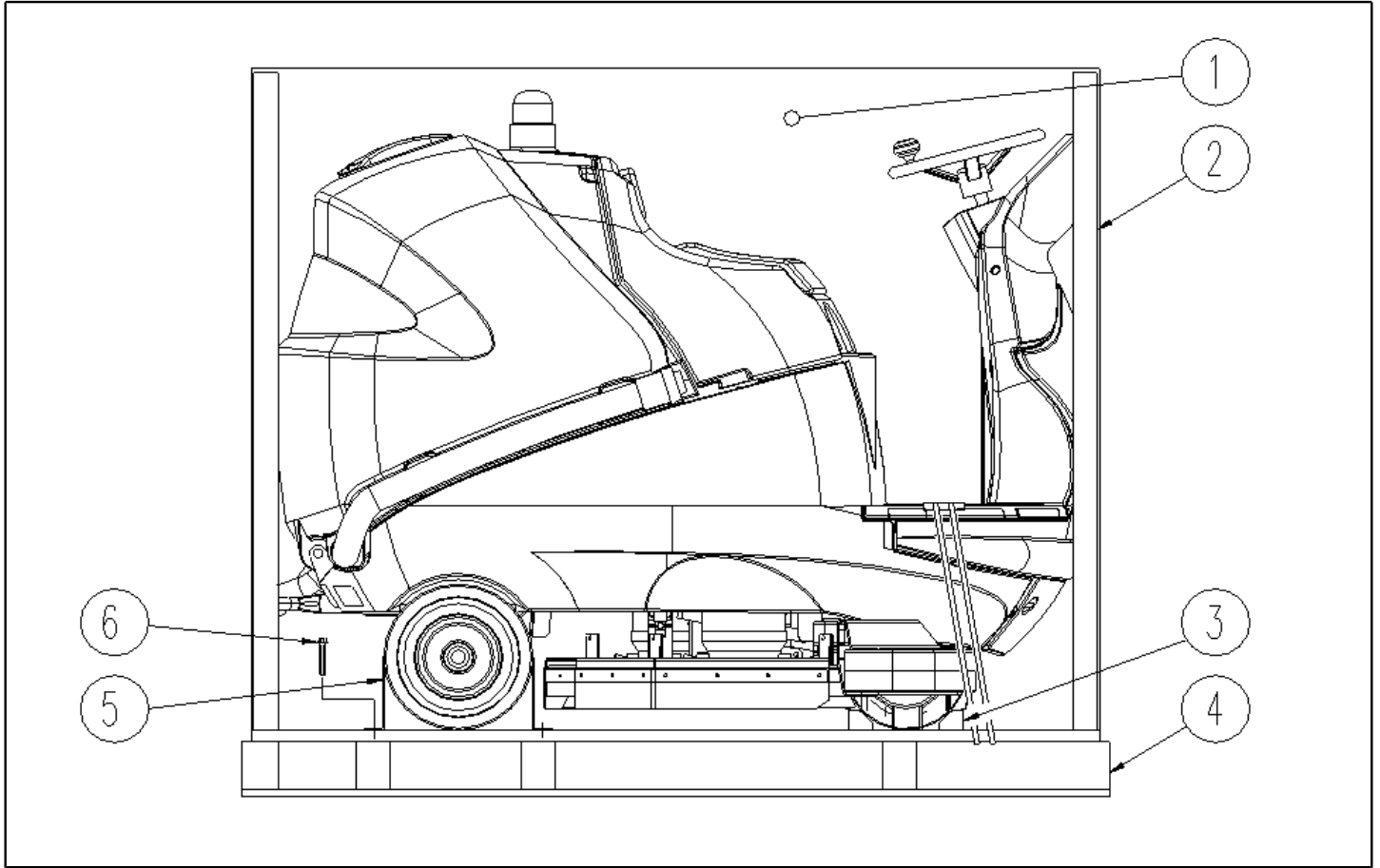
Ref. K	Part n.	Part n. 2	Description	Quantity	Validity		Price
					From	To	
0001	LAFN05773		ASSEMBLED TERGITORE 850	1,00			--
0002	GUGO06700		GASKET SQUEEGEE	1,00			--
0003	MPVR04626		FLANGE SUCTION HOSE CONNECTION	1,00			--
0004	VTVT00717		SCREW TCEI M. 6-16	2,00			--
0005	MPVR02832		BLADE PU SQUEEGEE REAR CT160-85	1,00	01/06/2004	10/11/2014	--
0005	MPVR05883		BLADE REAR CT160BT85 LATEX	1,00	11/11/2014		--
0006	VTRS13947		WASHER D. 8 INX UNI 6592	4,00			--
0007	VTDD01695		NUT M 8 INX	2,00	02/06/2005		--
0008	MPVR02894		ROLLER PARACOLPI	4,00		10/04/2008	--
0008	MPVR05295		WHEEL PARACOLPI	4,00	11/04/2008		--
0009	LAFN04127		PIN RULLO PARACOLPI	2,00			--
0010	VTVT67560		SCREW TCEI M8X110 INOX AISI 304	2,00			--
0011	VTRS00245		WASHER D.6 UNI 6592 INOX	10,00			--
0012	VTDD00171		NUT M6 INOX	10,00			--
0013	LAFN05770		SHEET METAL PA. FISSA FLAP ANTERIORE	1,00			--
0014	LAFN05771		SHEET METAL PA. FISSA FLAP POST.GANCIO	1,00			--
0015	LAFN05772		SHEET METAL PA. FLAP POST PORTA GANCIO	1,00			--
0016	CHVR00050		CLOSURE A LEVA + GANCIO CLT 160	1,00	30/07/2004		--
0017	VTVT00722		SCREW	2,00	06/05/2005		--
0018	VTDD21115		NUT M 3 INOX	2,00	06/05/2005		--
0019	MPVR02830		BLADE SQUEEGEE ANTERIORE P185	1,00			--



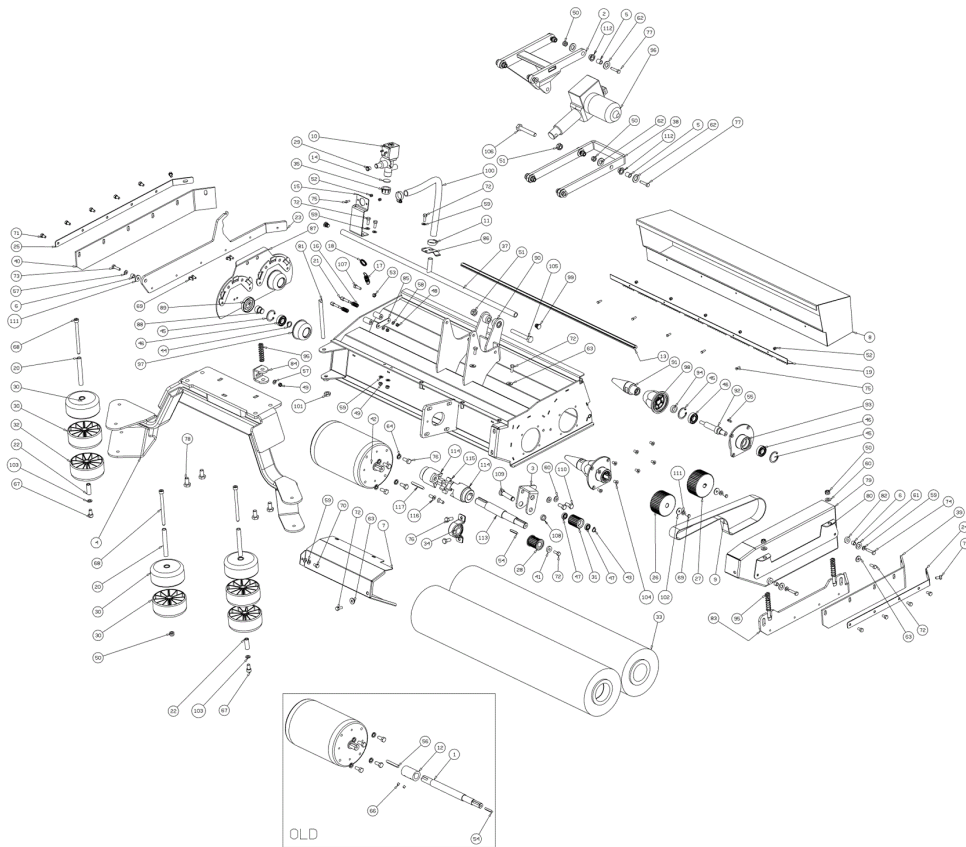
Ref. K	Part n.	Part n. 2	Description	Quantity	Validity		Price
					From	To	
0001	PMVR02010		CURVE ASP.P160	1,00			--
0003	SESD00020		BACKREST CLEANTIME	1,00			--
0004	VTRS86634		WASHER UNI 6593 6X18X1,5 ZB	9,00			--
0005	VTVT00729		SCREW TCEI M. 6-35	6,00			--
0006	SESD00021		SEAT	1,00			--
0007	VTRS00502		WASHER D. 5 0.466 UNI 6592	4,00			--
0008	VTVT00306		SCREW TSPEI M5x12 UNI5933	4,00			--
0009	CEVR00060		HINGE PORTA SEDILE P185	2,00			--
0010	VTVT00752		SCREW TC+ M.4,8-19	3,00			--
0011	MELF00040		FLASHING LIGHT	1,00		26/11/2013	--
0011	MEVR01672		LAMP -	1,00		26/11/2013	--
0011	MELF00053		FLASHING LIGHT -	1,00	27/11/2013		--
0013	LAFN05829		PLATE FERMA TUBO ASPIRAZIONE	3,00			--
0014	VTVT15906		SCREW TE 6X 12 A2 UNI 5739	11,00			--
0015	VTRS00245		WASHER D.6 UNI 6592 INOX	14,00			--
0016	MPVR46988		CLIP FIXATION DRAIN HOSE	1,00			--
0017	LAFN04171		SPACER ASPIRATORE P185	3,00			--
0018	MOCC00252		VACUUM 3 ST. 36V	1,00			--
0019	VTVT00888		SCREW TE M.6-100	3,00			--
0020	RCDS00024		CONNECTOR PG.DIR.1"1/2 M	1,00			--
0021	FSVR44166		HOSE CLIP D.50	1,00			--
0022	PMVR01141		TUBE USCITA ARIA DA ASPIRATORE	1,00			--
0023	KTRI04700		KIT REPLACEMENT TBFX00280	1,00			--
0024	MPVR04051		TANK CAP	1,00			--
0025	PMVR01052		TUBE DRAIN REC.TANK CT100	1,00		15/11/2007	--
0025	TBBP00439		TUBE D.60	1,00	16/11/2007	20/09/2012	--
0025	TBBP00485		TUBE DRAIN PU CT160	1,00	21/09/2012		--
0026	VTVT15143		SCREW TE 6X16 UNI5739	1,00			--
0027	MEVR00148		SWITCH SEAT SENSOR	1,00			--
0028	LAFN05830		FILTER VAC.MOTOR SUS	1,00			--
0029	FTDP00130		FILTER SERB. RECUPERO P185	1,00			--
0030	MPVR04100		CAP ASPIRAZIONE P185	1,00			--
0031	LAFN05805			1,00			--
0032	MECI00338		SENSOR DI LIVELLO ORIZZONTALE	1,00		31/05/2006	--
0032	MECI00400		SENSOR DI LIVELLO ORIZZONTALE	1,00	01/06/2006	01/01/2009	--
0032	MECI00516		SENSOR FLOAT WATER TANK	1,00	02/01/2009		--
0033	GUGO00263		GASKET SEAL CAP REC. TANK	1,00			--
0034	LAFN06824		SPACER CUSCINETTI ALB.SPAZ.CENT.	1,00			--
0035	VTVT17342		SCREW TE M 6X 60 UNI 5739 INX	1,00			--
0036	GUGO31051		GASKET LAV.	1,00			--
0037	GUGO30649		GASKET LAV.DW.	1,00			--
0038	GUGO00306		GASKET TEN.160	1,00			--
0039	KTRI01952		KIT -	1,00			--
0040	MPVR06103		BRACKET -	1,00	27/11/2013		--



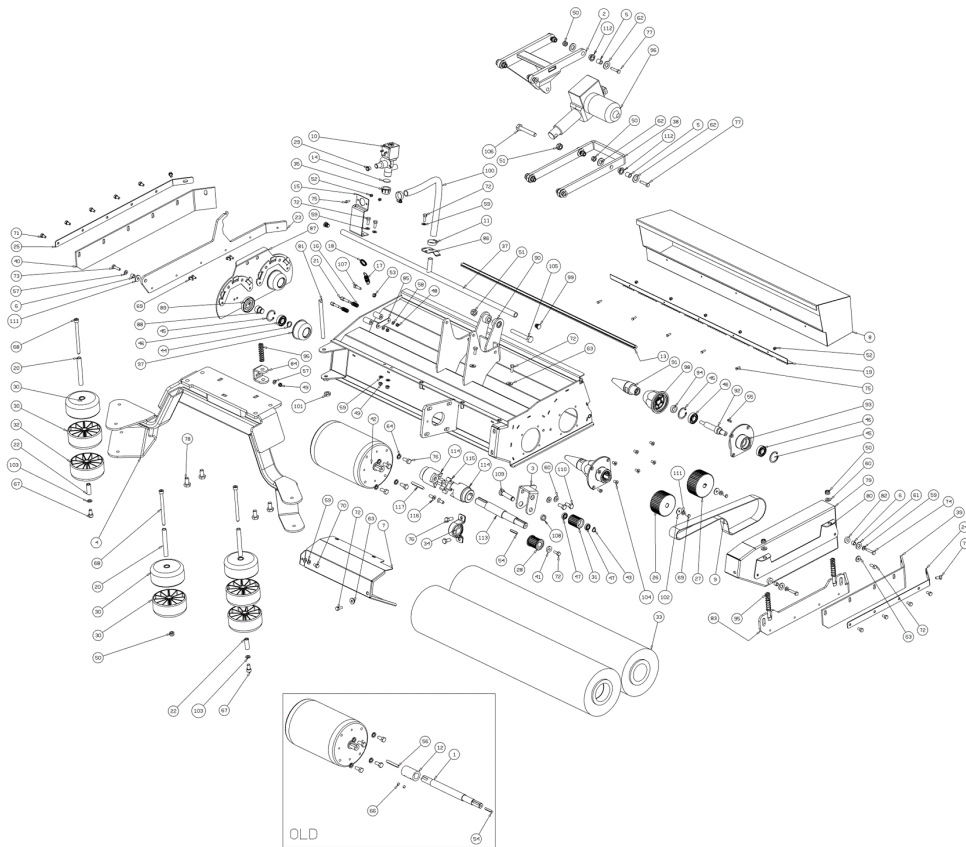
Ref. K	Part n.	Part n. 2	Description	Quantity	Validity		Price
					From	To	
0041	VTVT00678		SCREW	1,00			--
0042	VTRS15523		WASHER D.10 X21 INOX UNI 6592	1,00			--
0043	ITSO00034		SOUND-PROOFING ASPIR.P160	1,00			--
0044	MEVR05202		CARBON BRUSH VACUUM CT160	2,00			--



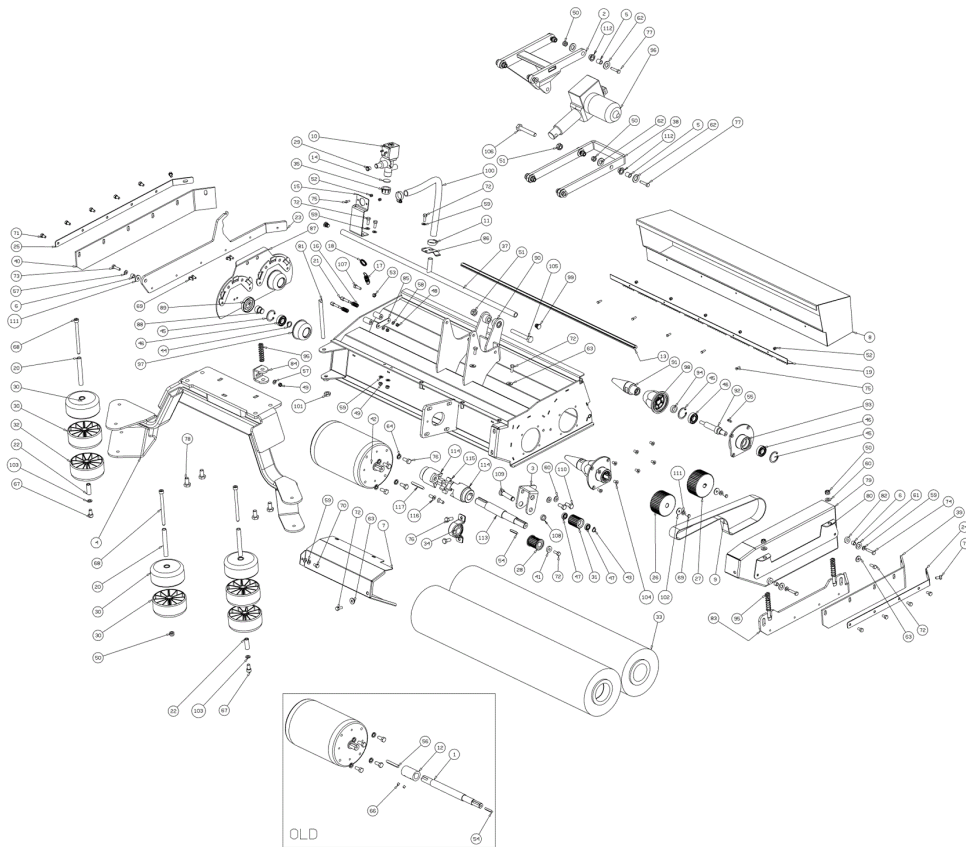
Ref. K	Part n.	Part n. 2	Description	Quantity	Validity		Price
					From	To	
0001	MICT00029			1,00			--
0002	MIVR00023			4,00			--
0003	MIVR00065		LATH PER BLOCC. RUOT. 450/530	2,00			--
0004	MIBA00013			1,00			--
0005	LAFN05876		BRACKET	2,00			--
0006	VTVT00770		SCREW TE AUTOF. 8X50	4,00			--



Ref. K	Part n.	Part n. 2	Description	Quantity	Validity		Price
					From	To	
0001	LAFN04178		SHAFT PROLUNGA MOTORE P185	1,00		10/09/2012	--
0002	LAFN05879		ASSEMBLED BRACCIO SUPP. PARALLEL.	1,00		07/10/2010	--
0002	LAFN08939		BRACKET -	1,00	08/10/2010		--
0003	LAFN06848		SUPPORT TENDICINGHIA	1,00			--
0004	LAFN05924		ASSEMBLED ROLL-BAR R750FL	1,00			--
0005	LAFN04151		BUSHING X PARALLELOGRAMMA	8,00		07/10/2010	--
0005	LAFN08907		SPACER 12-8	8,00	08/10/2010		--
0006	LAFN04184		BUSHING P185 ROLL.	3,00			--
0007	LAFN05891		CRANKCASE ALBERO MOTORE P185	1,00			--
0008	LAFN05886		DRAWER TESTATA A RULLI METALL.	1,00			--
0009	MTCG87404		BELT DENT.835 RPP5DD 32MM	1,00			--
0010	MEEV00021		SOLENOID VALVE RIF. D160SS10/K/20Z	1,00		10/10/2011	--
0010	MEEV00043		SOLENOID VALVE	1,00	11/10/2011		--
0011	FSVR00091		CLAMP 14-24	2,00			--
0012	LAFN04177		JOINT ALBERO MOTORE P185	1,00		10/09/2012	--
0013	MPVR04922		GASKET CASSETTO	1,00			--
0014	GUGO00268		GASKET D.21 SP.3 GOMMA	1,00		10/10/2011	--
0015	LAFN05835		BRACKET PORTAELETTROVALVOLA	1,00			--
0016	MLML00248		SPRING A COMPRESS. P185	2,00			--
0017	MLML00291		SPRING FLAP LATERALE DX TESTATA	1,00			--
0018	MLML00292		EYELET SPRING FLAP LAT. DX TEST.	1,00			--
0019	LAFN05887		BULKWARD CASSETTO P185	1,00			--
0020	LAFN04127		PIN RULLO PARACOLPI	3,00			--
0021	LAFN04180		PIN CHIAVIST.PORTELLO P185	2,00			--
0022	LAFN06472		PIN RUOTA	2,00			--
0023	LAFN05881		PLATE PORTAFLAP DX TESTATA P185	1,00			--
0024	LAFN05882		PLATE FISSA FLAP SX TESTATA	1,00			--
0025	LAFN05883		PLATE FISSA FLAP DX	1,00			--
0026	MTPL00152		PULLEY RULLO SPAZZOLA ANTER.P185	1,00			--
0027	MTPL00153		PULLEY RULLO SPAZZOLA	1,00			--
0028	MTPL00154		PULLEY MOTORE TESTATA P185	1,00			--
0029	MPVR02897		REDUCTION D.10-6.5 PER ELETTROVALV.	1,00			--
0030	RTRT00510		WHEEL BUMPER RAL7040	6,00			--
0031	MTPL00193		ROLLER Z26	1,00			--
0032	RTRT00502		WHEEL ANTIRIBALTAMENTO	2,00		10/04/2008	--
0032	RTRT00510		WHEEL BUMPER RAL7040	2,00	11/04/2008		--
0033	SPPV00457		ROLLER PP.0.5 SPAZZ. RULLI CLT160	2,00		20/05/2014	--
0033	SPPV01286		BRUSH ROLLER 150X50 PPL RED 0.4	2,00	21/05/2014		--
0034	CUVR00170		BALL BEARING SBPP 203	1,00			--
0035	RCVR00353		CAP 1/2" G X ELETTROV. ACL	1,00		10/10/2011	--
0037	LAFN05885		HOSE DISTRIB. DETERGENTE P185	1,00			--
0038	LAFN05782		ARM SUP./INF	1,00		07/10/2010	--
0038	LAFN08912		ARM SUP./INF.	1,00	08/10/2010		--
0039	MPVR02846		FLAP LATERALE DX TESTATA	1,00			--



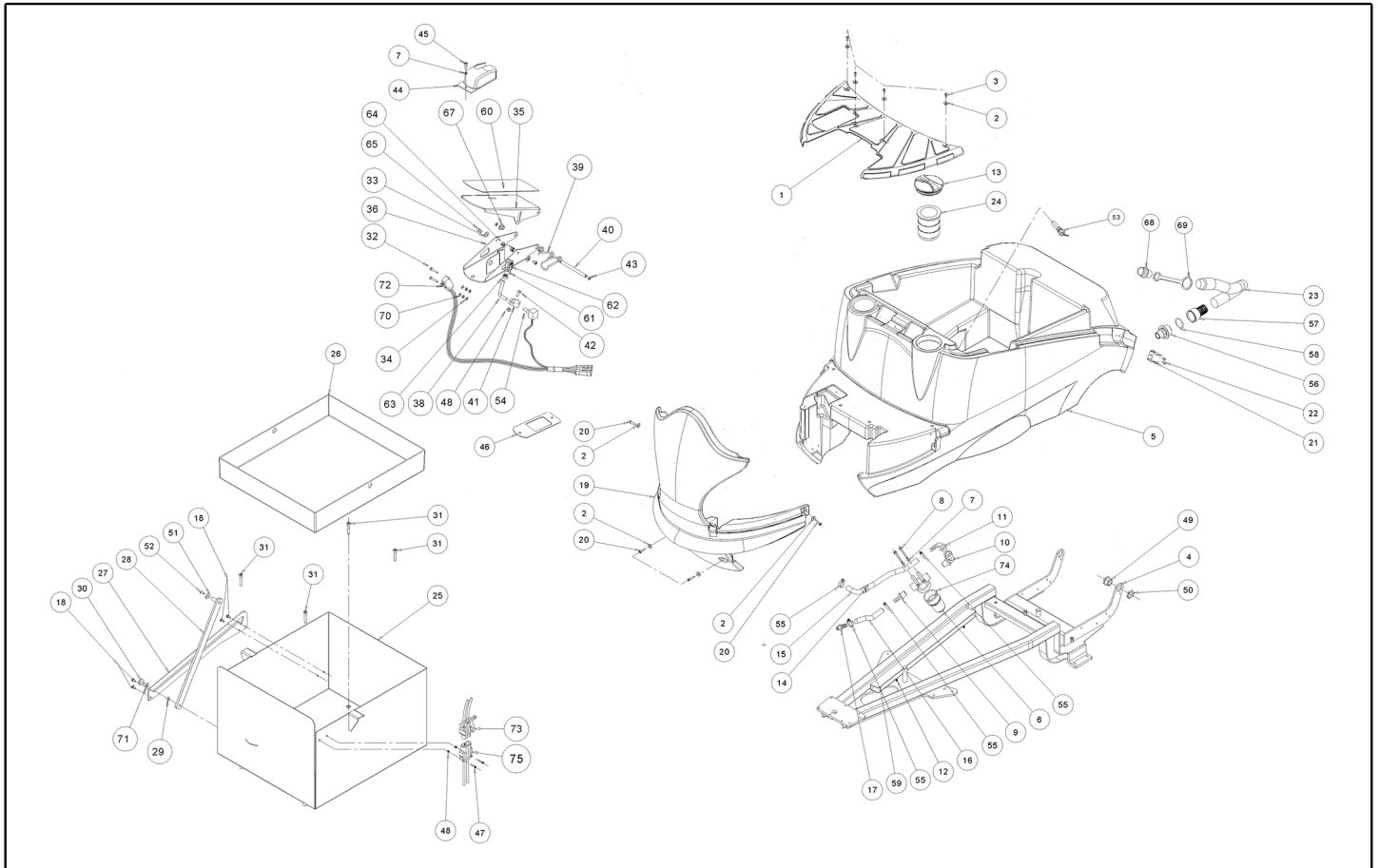
Ref. K	Part n.	Part n. 2	Description	Quantity	Validity		Price
					From	To	
0040	MPVR02845		FLAP LATERALE SX TESTATA	1,00			--
0041	LAFN04179		WASHER FISSA PULEGGIA P185	1,00			--
0042	MOCC00166		MOTOR TEST.ROLL.P185	1,00			--
0042	MEVR33562		CARBON 10X18X18 400W 12V	4,00			--
0042	MOCC00024		BAND CHIUSURA CARB.+CLIP X MOT	1,00			--
0043	VTAE13511		CIRCLIP D. 10 UNI 7435	1,00			--
0044	VTAE17003		CIRCLIP ESTERNO DIN 471 D.15	2,00			--
0045	VTAE32478		CIRCLIP D. 32 UNI 7437	6,00			--
0046	CUVR00164		BEARING 6002RS -SKF-	6,00			--
0047	CUVR29964		BALL BEARING 6000-2RS1	2,00			--
0048	VTDD00017		NUT AUTOBLOK DIN 985 M5	2,00			--
0049	VTDD00010		NUT AUTOBLOK DIN 985 M6 BASSO	3,00			--
0050	VTDD01695		NUT M 8 INX	11,00			--
0051	VTDD10310		NUT AUTOBL.M10 INOX DIN 985	2,00			--
0052	VTDD00009		NUT AUTOBLOK DIN 985 M4 BASSO	7,00			--
0053	VTDD00053		NUT M6 INOX UNI5589	1,00			--
0054	VTVR13164		KEY UNI 6604 5X5X30	1,00			--
0055	VTVR62776		KEY M4X4X16 UNI 6604	2,00		10/03/2014	--
0055	VTVR00572		KEY 4X4X20	2,00	11/03/2014		--
0056	VTVR00301		KEY 6X6X50	1,00		10/09/2012	--
0057	VTRS00503		WASHER D. 6 UNI 6798	2,00			--
0058	VTRS00240			2,00			--
0059	VTRS00503		WASHER D. 6 UNI 6798	8,00			--
0060	VTRS13947		WASHER D. 8 INX UNI 6592	20,00			--
0061	VTRS15523		WASHER D.10 X21 INOX UNI 6592	2,00			--
0062	VTRS15978		WASHER D.12X24 UNI 6592 INX	12,00		07/10/2010	--
0062	VTRS00376		WASHER 15x21	4,00	08/10/2010		--
0063	VTRS13945		WASHER D. 6X18 INX UNI 6593	4,00			--
0064	VTRS00269		WASHER D. 8 DIN 6798-A INX A2	4,00			--
0066	VTVT01301		GRUB SCREW M 6 X 6 UNI 5929	2,00		10/09/2012	--
0067	VTVT00876		SCREW TCEI M.8-16	2,00			--
0068	VTVT67560		SCREW TCEI M8X110 INOX AISI 304	3,00			--
0069	VTVT01300		SCREW TE M5X12 INOX	6,00			--
0070	VTVT01303		SCREW TE M6-10 INOX	1,00			--
0071	VTVT15906		SCREW TE 6X 12 A2 UNI 5739	11,00			--
0072	VTVT15143		SCREW TE 6X16 UNI5739	8,00			--
0073	VTVT15141		SCREW TE M 6X 25 UNI 5739 INX	1,00			--
0074	VTVT00433		SCREW TE M 6X 30 UNI 5739 INX	2,00			--
0075	VTVT00817		SCREW TE M4x12 UNI 5739 INOX	7,00			--
0076	VTVT13938		SCREW TE 8X20 UNI5739 INX	8,00			--
0077	VTVT00410		SCREW TE M8x35 UNI5739 INOX	8,00			--
0078	VTVT13936		SCREW TE M 10X 20	4,00			--
0079	LAFN06393		CRANKCASE LH SIDE CT160R	1,00			--
0080	LAFN06394		PLATE REAZIONE FLAP SX	1,00			--



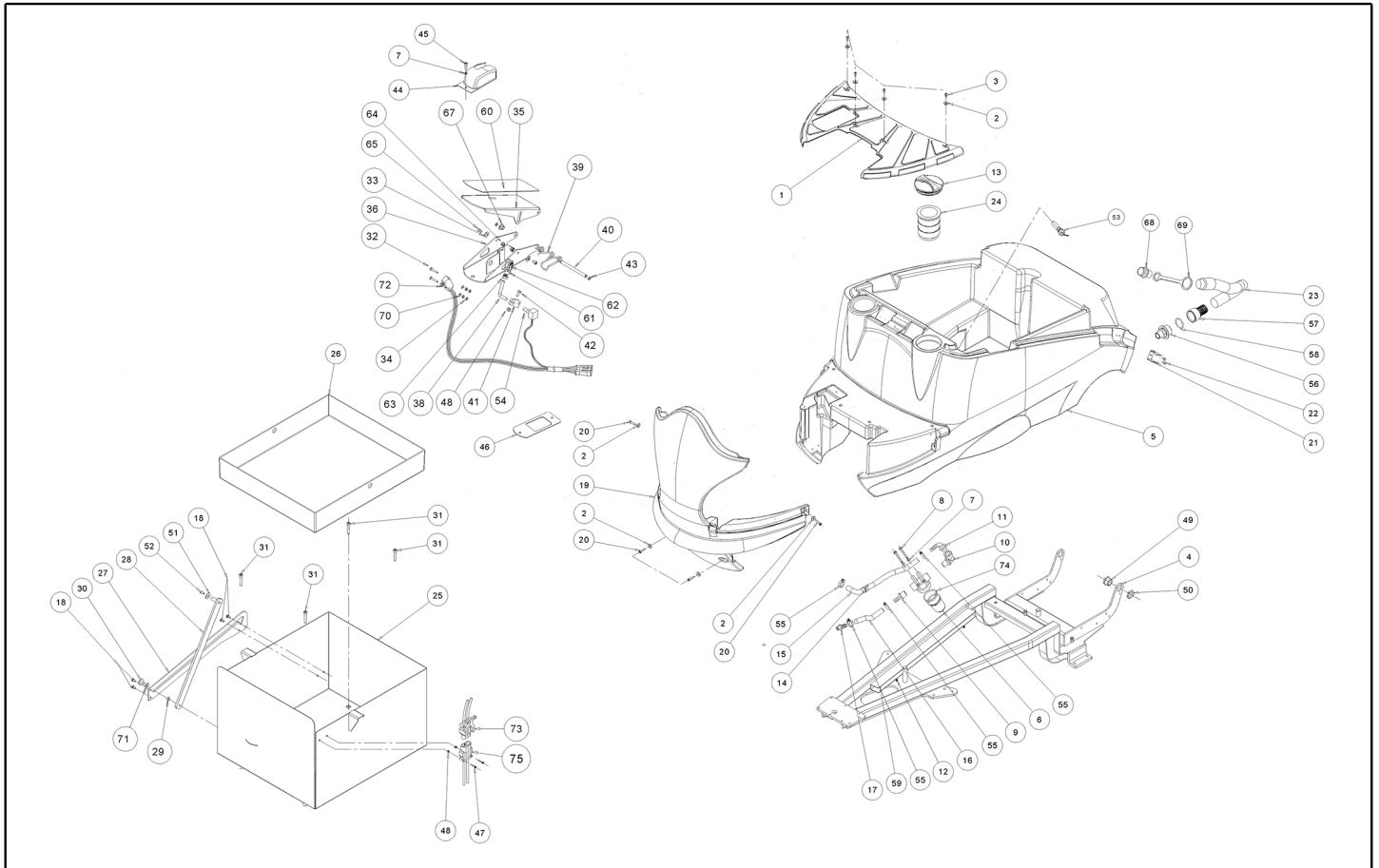
Ref. K	Part n.	Part n. 2	Description	Quantity	Validity		Price
					From	To	
0081	LAFN06395		PIN REGISTRO FLAP DX	1,00			--
0082	LAFN06396		SPACER FLAP SX	2,00			--
0083	LAFN06397		DOOR FLAP SX COMPLETO	1,00			--
0084	LAFN07033		BRACKET FLAP DX	1,00			--
0085	LAFN07034		SHEET METAL PA. SGANCIO PORTELLO	1,00			--
0086	LAFN07035		BRACKET FERMATUBO DETERGENTE	1,00			--
0087	LAFN09020		DOOR	1,00			--
0088	LAFN09021		PIN SOSTEGNO SPAZZOLA P185	2,00			--
0089	LAFN09022		FLANGE	2,00			--
0090	LAFN09023		FRAME ROLLER BRUSH	1,00			--
0091	LAFN10125		SHAFT INSERIMENTO SPAZZOLE	2,00			--
0092	LAFN10126		SHAFT	2,00			--
0093	LAFN10127		PLATE	2,00			--
0094	LAFN10128		SPACER	2,00			--
0095	MLML00302		SPRING REGISTRAZIONE FLAP	3,00			--
0096	MOCC00231			1,00		31/05/2006	--
0096	MOCC00304		ACTUATOR BRUSH HEAD CT160 36V	1,00	01/06/2006		--
0097	MPVR04720		ROLLER	2,00			--
0098	MPVR05137		HUB TRASCINATORE SPAZZ. CENT.	2,00			--
0099	MPVR05163		TIE ROD FISSA FILTRO	2,00			--
0100	TBFX48011		HOSE FLEX D.12X3 ARMORV.PVC TR	1,00			--
0101	VTDD00008		NUT M10 UNI 5589 ZB	1,00			--
0102	VTRS00016		WASHER UNI 6593 5X20X1,5 ZB	2,00			--
0103	VTRS13947		WASHER D. 8 INX UNI 6592	2,00			--
0104	VTVT00678		SCREW	8,00			--
0105	VTVT01000		SCREW TE M 10-75 INOX UNI 5737	1,00			--
0106	VTVT01002		SCREW TE M10X65 INOX	1,00		19/03/2007	--
0106	VTVT01367		SCREW TE M.10-55 INOX UNI 5737	1,00	20/03/2007		--
0107	VTVT06237		SCREW TCCE UNI 5931 6X20 ZB	1,00			--
0108	LAFN06846		SPACER -	1,00			--
0109	LAFN06847		PIN TENDICINGHIA	1,00			--
0110	VTVT00876		SCREW TCEI M.8-16	2,00			--
0111	VTRS15908		WASHER D. 5 INX GRW UNI 1751	2,00	18/05/2009		--
0112	CUVR00130		BEARING STRISCIAMENTO	8,00	08/10/2010		--
0113	LAFN09175		SHAFT -	1,00	11/09/2012		--
0114	FGGT00035		JOINT -	2,00	11/09/2012		--
0115	GUVR75740		RING	1,00	11/09/2012		--
0116	VTVT00832		SCREW TSPEI M6X16 INOX	2,00	11/09/2012		--
0117	VTVR16617		KEY 6X 6X30 UNI 6604	2,00	11/09/2012		--

Table: WATER TANK

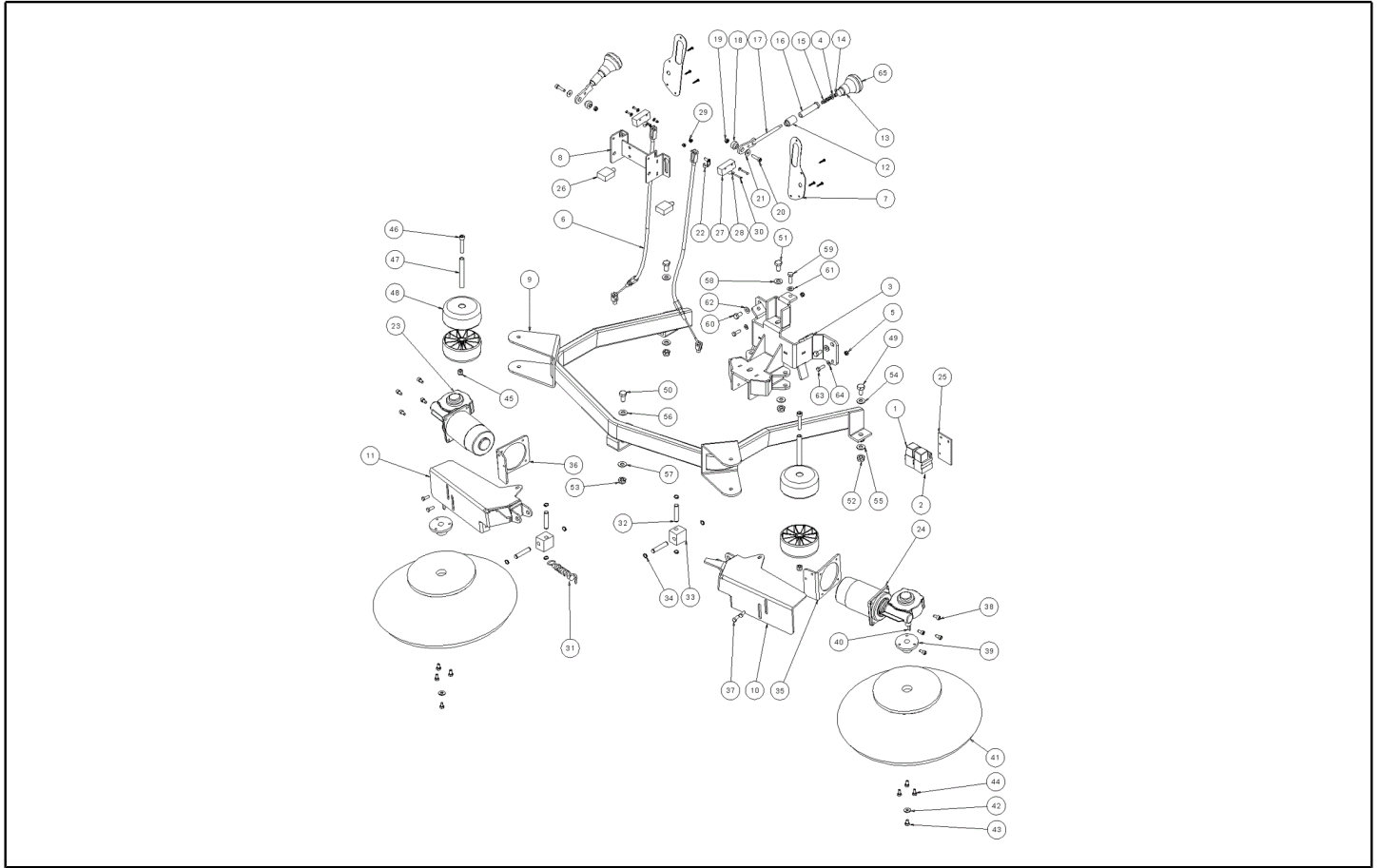
Progressive number: 1



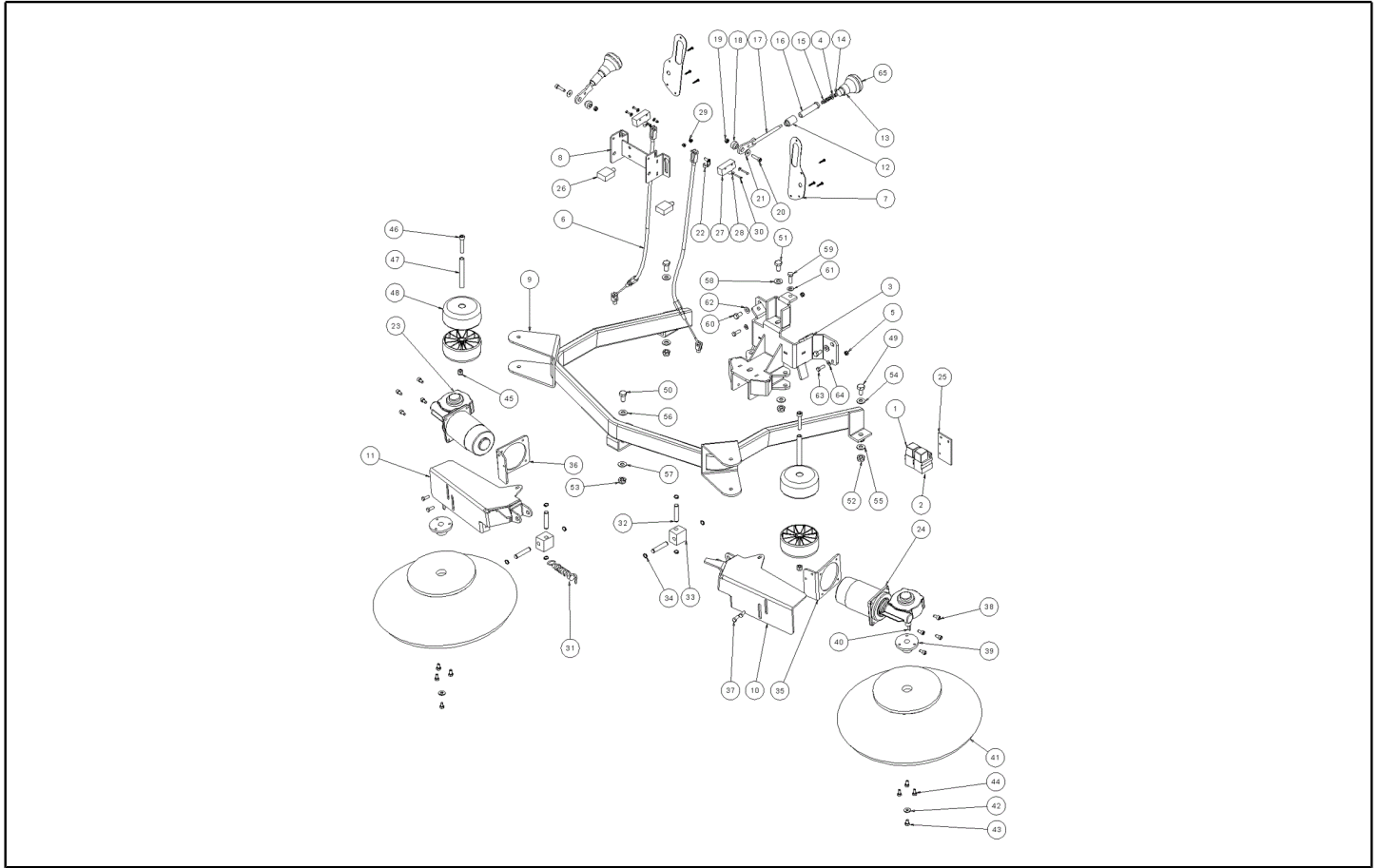
Ref. K	Part n.	Part n. 2	Description	Quantity	Validity		Price
					From	To	
0001	MPVR03002		PLANE CLEANTIME	1,00			--
0002	VTRS13945		WASHER D. 6X18 INX UNI 6593	8,00			--
0003	VTVT00093		SCREW TBCE ISO 7380 6X12 ZB	4,00			--
0006	FTAC00038		FILTER SOLUTION TANK G1/2	1,00			--
0007	VTRS00503		WASHER D. 6 UNI 6798	2,00			--
0008	VTVT00699		SCREW TE M. 6-70	2,00			--
0009	RCVR00540		CONNECTOR	1,00			--
0010	RCVR00541		CURVED CONNECT. M/F G1/2 COD.126-2022	1,00			--
0011	RCVR00542		CURVED CONNECT. M G1/2 PORTAG. 113-2213	1,00			--
0012	VTVT85145		SCREW TCB T-CROCE 4.2X9,5 INOX	2,00			--
0013	MPVR04075		CAP SOLUTION TANK CT160	1,00			--
0014	FSVR00107		CLAMP KSS CABLE CLAMP	1,00			--
0015	TBBP00319		TUBE L=350	1,00			--
0016	TBBP00369		TUBE ARMONVIN 12X3 L=280 MM	1,00			--
0017	RCVR00547		CONNECTOR PORTAG. DIRIT	1,00			--
0018	VTVT15906		SCREW TE 6X 12 A2 UNI 5739	5,00			--
0020	VTVT15966		SCREW TCEI M 6X25	4,00			--
0021	MPVR46988		CLIP FIXATION DRAIN HOSE	1,00			--
0022	VTVT01300		SCREW TE M5X12 INOX	2,00			--
0023	TBFX00208		TUBE DI SCARICO	1,00			--
0024	FTAC48857		FILTER SOLUTION TANK INLET	1,00			--
0025	LAFN51000			1,00			--
0026	MPVR04127		PLATE CONTENITORE BATTERIE P185	1,00			--
0027	LAFN05807		GUIDE PER ASTA SERBATOIO P185	1,00			--
0028	LAFN05803		ASSEMBLED ASTA SERBATOIO P185	1,00			--
0029	LAFN04148		BUSHING ASTA SERBATOIO P185	1,00			--
0030	LAFN04147		SCREW ASTA SERBATOIO P185	1,00		04/11/2010	--
0030	VTVT15916		SCREW TE M 8X 16 UNI 5739 A2	1,00	05/11/2010		--
0031	VTVT00889		SCREW TCEI M. 8-45	4,00			--
0032	VTVT01350		SCREW M3-20 INOX	2,00			--
0033	MPVR05528		WASHER -	2,00			--
0034	VTDD21115		NUT M 3 INOX	4,00			--
0035	LAFN06474		SHEET METAL PA. PEDALE	1,00			--
0036	LAFN07532		BASE -	1,00			--
0038	LAFN0909		BRACKET BIELLETTA PEDALE	1,00			--
0039	MLML00034		SPRING PEDALE AVANZAMENTO G1050	1,00			--
0040	LAFN00524		PIN PEDALE TK 1050	1,00			--
0041	LAFN01149		CONNECTING ROD PEDALE AVANZAMENTO G1050	1,00			--
0042	VTVT00727		SCREW TE M. 4-20	2,00			--
0043	VTAE48552		CIRCLIP ESTERNO DIN 471 D.6	2,00			--
0044	MPVR00302		CRANKCASE PEDALE AVANZAMENTO	1,00			--
0045	VTVT15143		SCREW TE 6X16 UNI5739	1,00			--
0046	LAFN05802		FLANGE PEDALE ACCELERATORE P185	1,00			--
0047	VTVT22203		SCREW TCB-TC 4X25 UNI7687	2,00			--



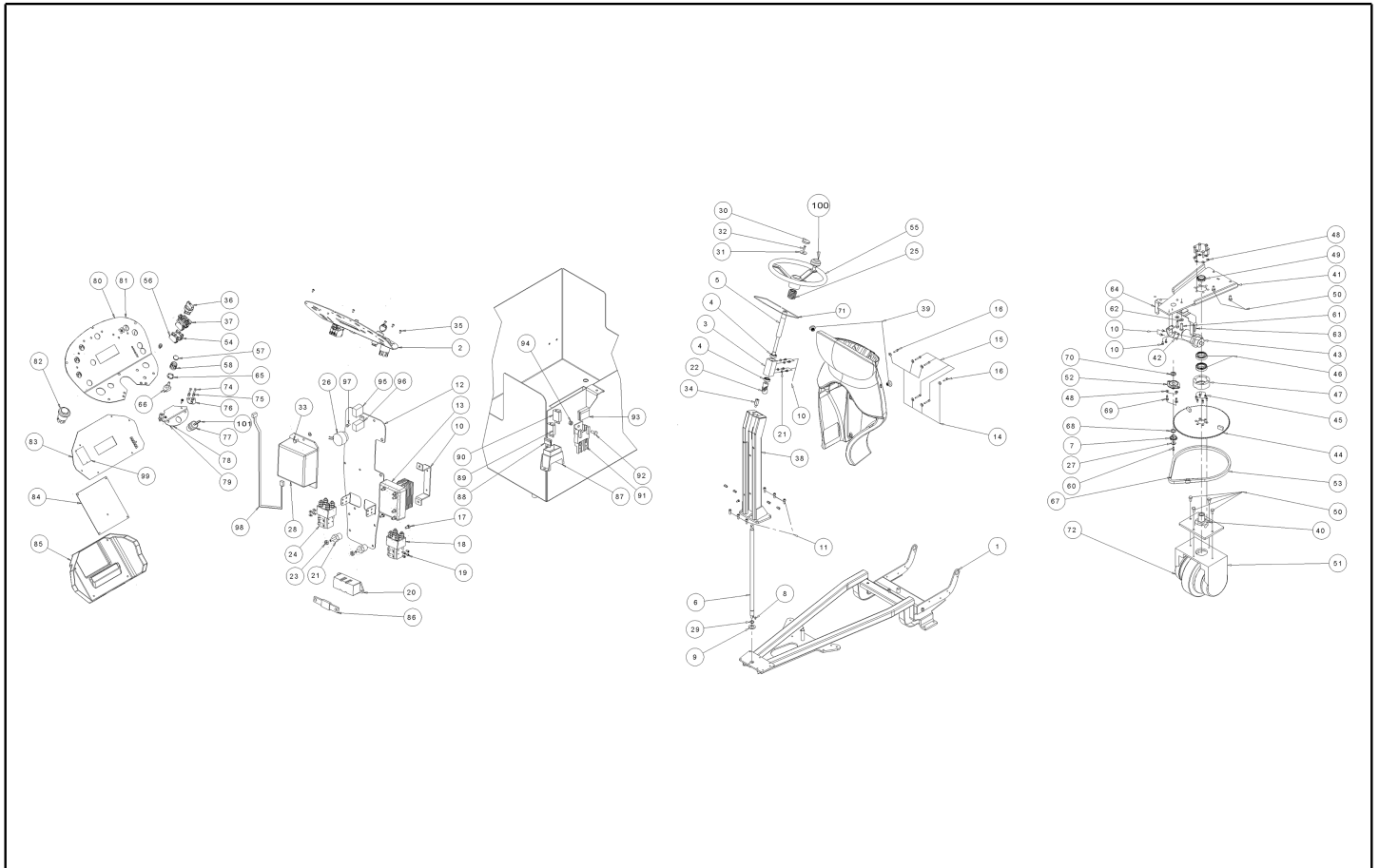
Ref. K	Part n.	Part n. 2	Description	Quantity	Validity		Price
					From	To	
0048	VTDD04369		NUT M 4 TEF UNI 7473	1,00			--
0049	LAFN51079		ECCENTRIC SERB.RECUP.P185	1,00			--
0050	LAFN51080		RING NUT ECCENTR.SERB.RECUP.P185	1,00			--
0051	VTRS13946		WASHER D. 8 X24 INX UNI 6593	1,00			--
0052	VTVT00832		SCREW TSPEI M6X16 INOX	1,00			--
0053	MEC00516		SENSOR FLOAT WATER TANK	1,00			--
0054	MECB00995		WIRING PEDALE ACCEL.P160	1,00		30/12/2010	--
0054	MECB01227		WIRING ACCELERATOR	1,00	01/01/2011		--
0055	FSVR00091		CLAMP 14-24	4,00			--
0056	RCVR00713		REDUCTION MASCHIO/MASCHIO	1,00			--
0057	RCVR00712		CONNECTOR PORTAGOMMA	1,00			--
0058	GUGO00290		GASKET OR (G10052)	1,00			--
0059	MEVR01431		GUIDE PVC GRIGIO 25 X 40	1,00			--
0060	MPVR00866		PLANE ANTISDRUCCIOLO G1050	1,00			--
0061	CMCV76639		FORK M 6 UNI 1676	1,00			--
0062	CMCV75717		CLIP UNI 1676 M6	1,00			--
0063	VTDD00482		NUT M 6 ZIN UNI 5588	1,00			--
0064	VTDD04369		NUT M 4 TEF UNI 7473	2,00			--
0065	VTVT00089		SCREW TCCE UNI 5931 4X10 ZB	2,00			--
0066	MPVR04744		MOUSSE 440X30X20	1,00			--
0067	CUVR00183		BUSHING -	2,00			--
0068	MPVR05064		CAP COMPLETO	1,00			--
0069	MPVR49412		CLAMP SHK	1,00			--
0070	VTRS00117		WASHER 3.2X7 UNI6592	2,00			--
0071	VTRS13947		WASHER D. 8 INX UNI 6592	1,00	05/11/2010		--
0072	MECB01228		WIRING -	1,00	01/01/2011		--
0073	MECB00900		CABLE BATTERY CONNECTION CT160	1,00			--
0074	GUVR00311		GASKET FTAC00038	1,00			--
0075	MEVR44180		PLUG FT 80	1,00			--



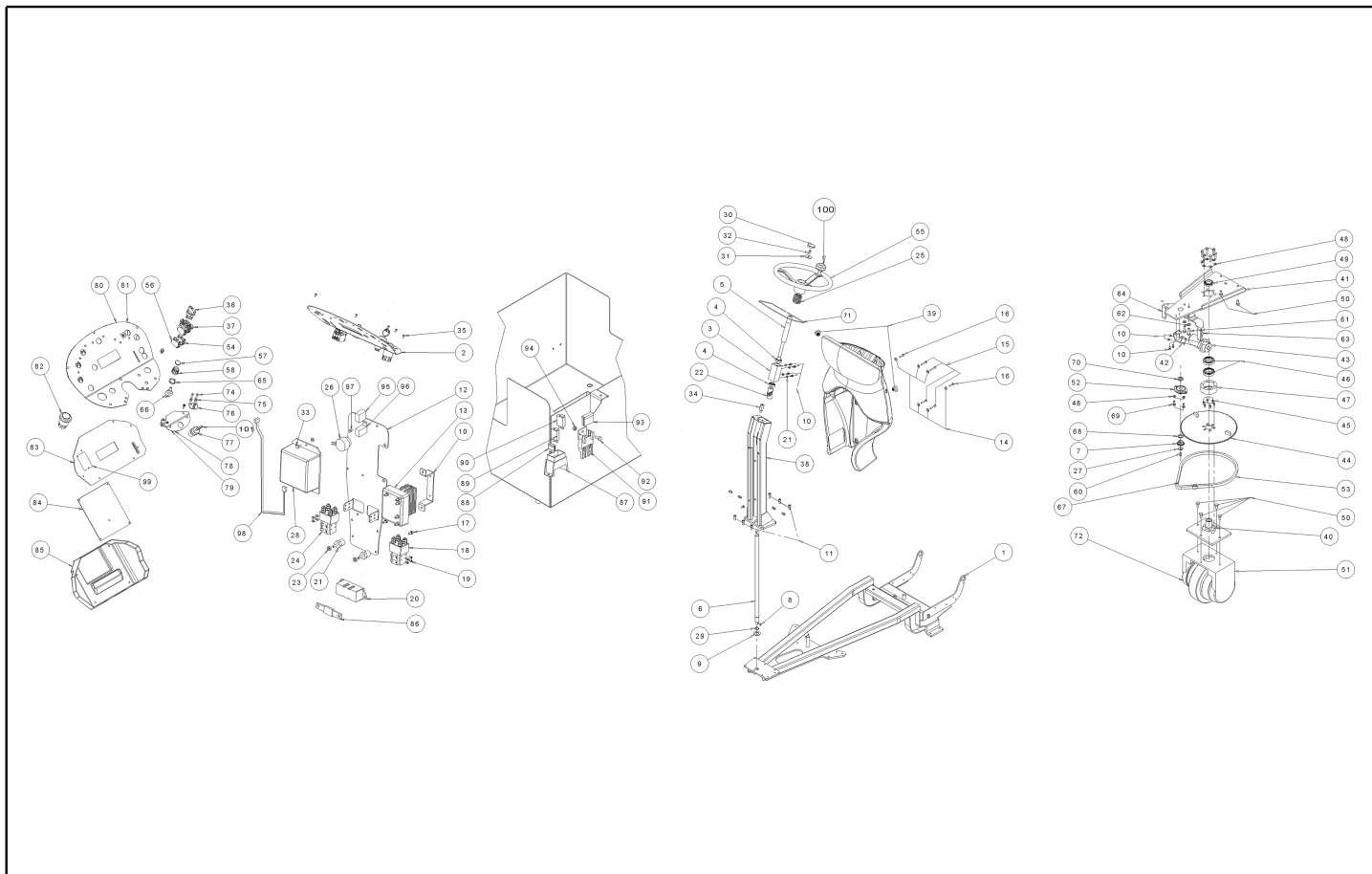
Ref. K	Part n.	Part n. 2	Description	Quantity	Validity		Price
					From	To	
0003	LAFN07594		SUPPORT -	1,00			--
0004	VTRS00502		WASHER D. 5 0.466 UNI 6592	2,00			--
0005	VTDD01694		NUT M6 INOX	2,00			--
0006	CMCV00359		CABLE CT160	2,00			--
0007	LAFN07599		COVER -	2,00			--
0008	LAFN07597		BRACKET -	1,00			--
0009	LAFN07598		PROTECTION -	1,00			--
0010	LAFN07596		BRACKET -	1,00			--
0011	LAFN07595		BRACKET -	1,00			--
0012	LAFN07612		BUSHING -	2,00			--
0013	MPVR00868		KNOB ALZASPAZZOLA LAT.G1050	2,00			--
0014	VTDD00040		NUT M5 UNI7474	2,00			--
0015	MLML00027		SPRING POMOLO SPAZZ.CENTRALE	2,00			--
0016	LAFN00523		SPRING HOLDER BRUSH LIFT	2,00			--
0017	LAFN00803		ARM ALZASPAZZOLA LATER.1050	2,00			--
0018	LAFN00153		BUSHING LEVA ALZA SPAZ.LAT.ZINC.	2,00			--
0019	VTDD19688		NUT M6 UNI 7473	2,00			--
0020	VTVT12255		SCREW TCCE UNI 5931 6X25 ZB	2,00			--
0021	VTRS04026		WASHER D. 6X18X2.38	2,00			--
0022	CMCV00009		CLIP UNI 1676	2,00			--
0023	MOCC00366		MOTOR -	1,00			--
0024	MOCC00367		MOTOR -	1,00			--
0025	LAFN07613		PLATE -	1,00			--
0026	METT00040			2,00			--
0027	MECI75801		MICROSWITCH A PISTONE (MS/10-Z15GC)	2,00			--
0028	VTRS15959		WASHER UNI 6593 4X12X1,5 ZB	4,00			--
0029	VTDD00001		NUT UNI 5588 M3 ZB	2,00			--
0030	VTVT00021		SCREW TE UNI 5739 3X25 ZB	2,00			--
0031	MLML45102		SPRING BRACCIO SPAZ.LAT.TK1400	2,00			--
0032	LAFN01148		PIN SPAZZOLE LATERALI	4,00			--
0033	LAFN00154		BLOCK BRACCI SPAZ.LAT.TK1050	2,00			--
0034	VTAE87276		SEEGER EXT. D10 DIN471	8,00			--
0035	LAFN00809		PLATE PORTASPAZZ.LAT.SX TK1050	1,00			--
0036	LAFN00808		PLATE PORTASPAZZ.LAT.DX TK1050	1,00			--
0037	VTVT00527		SCREW TE FR 6X10 ZB ZIG.	4,00			--
0038	VTVT09913		SCREW TCCE UNI 5931 6X16 ZB	8,00			--
0039	LAFN45010		FLANGE FISS.SPAZZ.LAT.TK1000	2,00			--
0040	VTVR13165		KEY UNI 6604 5X5X20	2,00			--
0041	SPPV75790		SIDE-BRUSH LATERALE TK1000 PPL	2,00			--
0042	VTRS63242		WASHER UNI 6593 6X24X2 ZB	2,00			--
0043	VTVT00527		SCREW TE FR 6X10 ZB ZIG.	2,00			--
0044	VTVT62920		SCREW TE FR 6X16 ZB ZIGRINATE	6,00			--
0045	VTDD01695		NUT M 8 INX	2,00			--
0046	VTVT67560		SCREW TCEI M8X110 INOX AISI 304	2,00			--



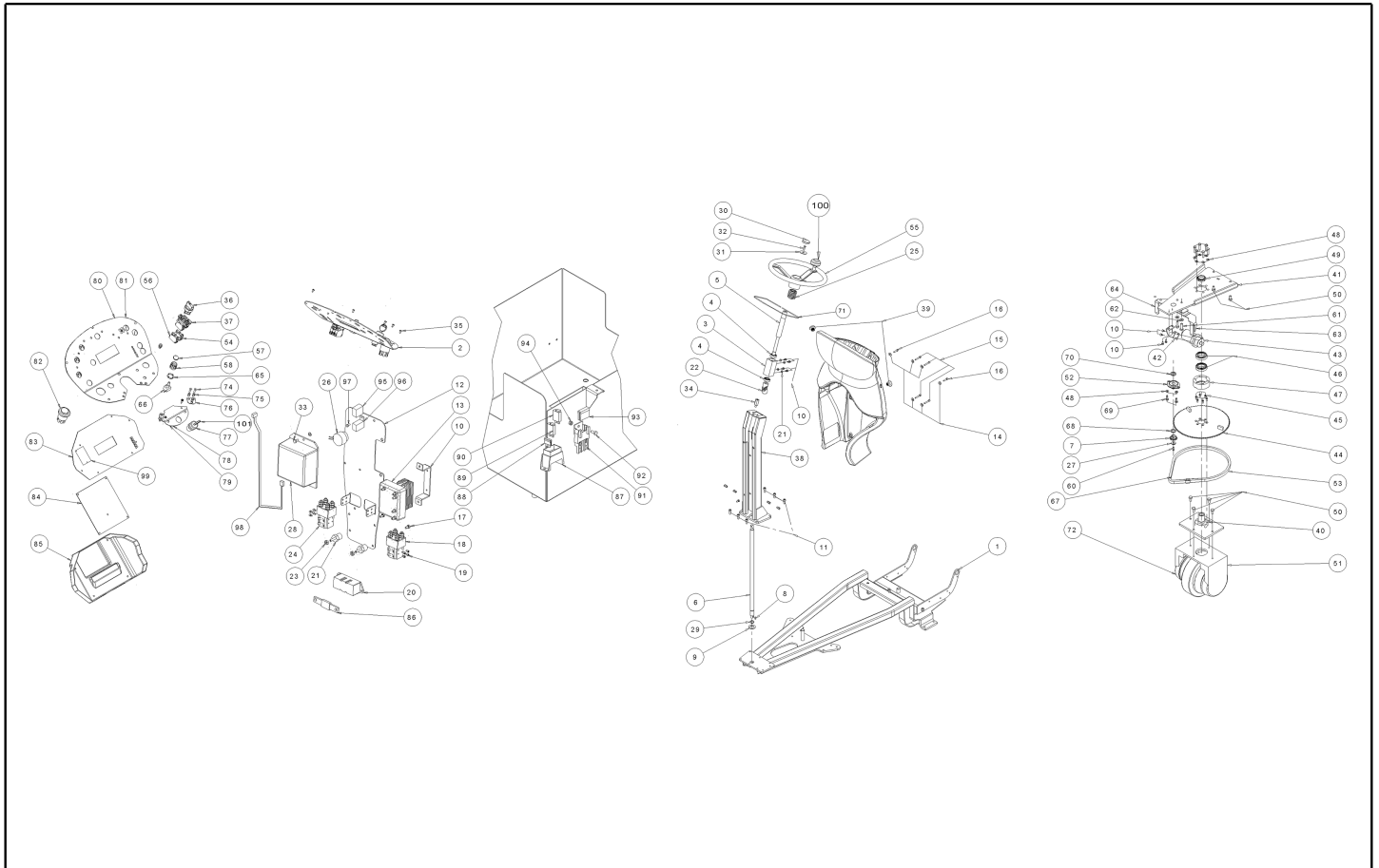
Ref. K	Part n.	Part n. 2	Description	Quantity	Validity		Price
					From	To	
0047	LAFN04127		PIN RULLO PARACOLPI	2,00			--
0048	RTRT00510		WHEEL BUMPER RAL7040	4,00			--
0049	VTVT01541		SCREW TE M 10x30 INOX UNI5739	1,00			--
0050	VTVT01541		SCREW TE M 10x30 INOX UNI5739	1,00			--
0051	VTVT01541		SCREW TE M 10x30 INOX UNI5739	1,00			--
0052	VTDD00042		NUT AUT.M10 UNI7474	1,00			--
0053	VTDD00042		NUT AUT.M10 UNI7474	1,00			--
0054	VTRS15523		WASHER D.10 X21 INOX UNI 6592	1,00			--
0055	VTRS15523		WASHER D.10 X21 INOX UNI 6592	1,00			--
0056	VTRS15523		WASHER D.10 X21 INOX UNI 6592	1,00			--
0057	VTRS15523		WASHER D.10 X21 INOX UNI 6592	1,00			--
0058	VTRS15523		WASHER D.10 X21 INOX UNI 6592	1,00			--
0059	VTVT15907		SCREW TE 8X25 UNI5739 INX	1,00			--
0060	VTVT15907		SCREW TE 8X25 UNI5739 INX	1,00			--
0061	VTRS13947		WASHER D. 8 INX UNI 6592	1,00			--
0062	VTRS13947		WASHER D. 8 INX UNI 6592	1,00			--
0063	VTVT13939		SCREW TE 6X20 UNI5739 INX	2,00			--
0064	VTRS07728		WASHER D. 6 INX	2,00			--
0065	MPVR00879		KNOB ALZASPAZZOLA LAT.G1050	2,00			--



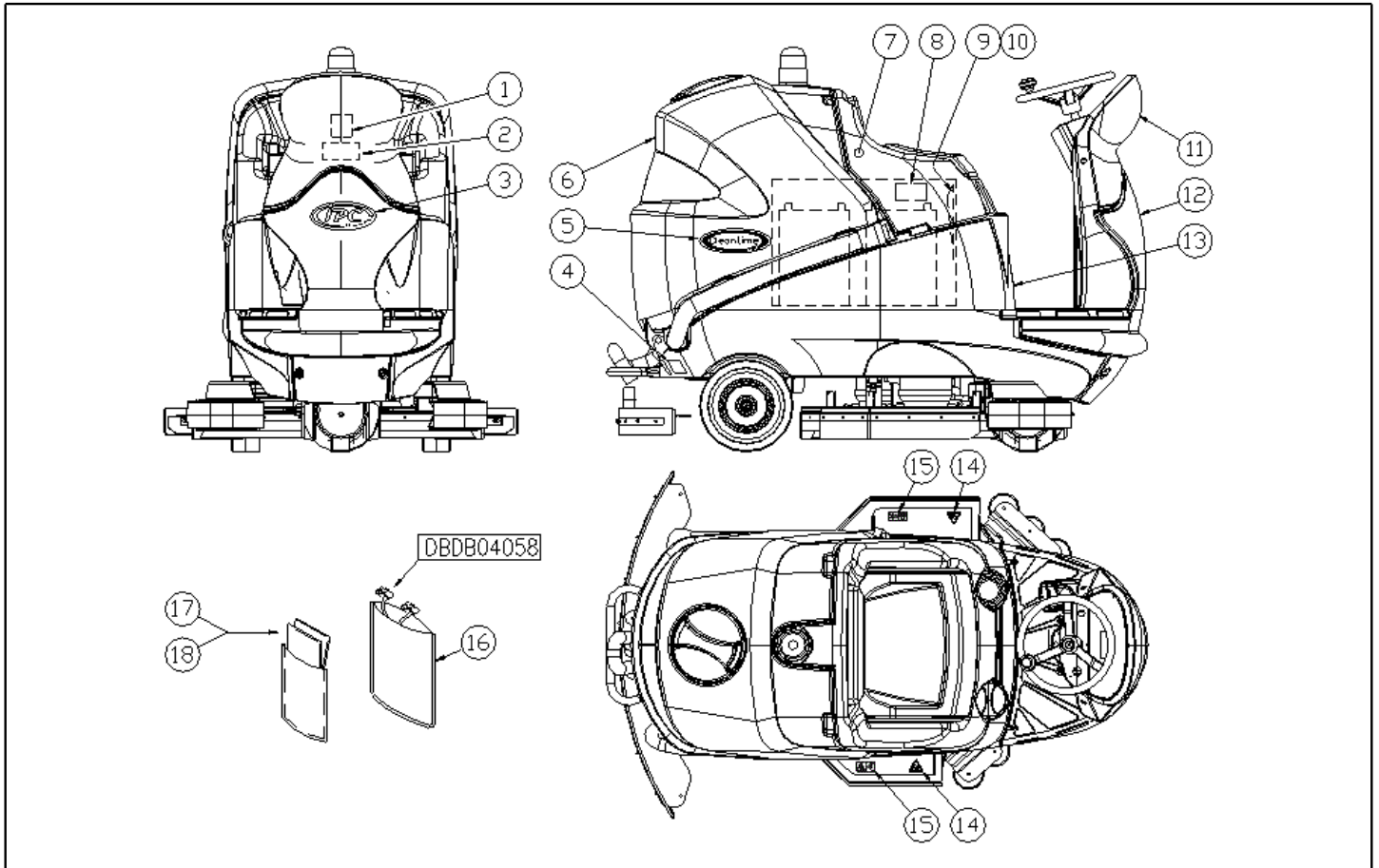
Ref. K	Part n.	Part n. 2	Description	Quantity	Validity		Price
					From	To	
0001	LAFN05790		FRAME COMPLETO CLT160	1,00			--
0002	MECE00522		BOARD PANEL CT160-CT230 CURTIS	1,00			--
0003	LAFN04133		HUB ALBERO STERZO	1,00			--
0004	CUVR17004		BALL BEARING 6202 -2RS1	2,00			--
0005	LAFN04076		SHAFT STERZO SUPERIORE P185	1,00			--
0006	LAFN04131		SHAFT STERZO NUOVO	1,00			--
0007	MTCR00070		PINION ALBERO STERZO P185	1,00			--
0008	VTVR00229		KEY 5X5X12	1,00			--
0009	VTRS00019		WASHER UNI 6592 FORO 20 INOX	1,00			--
0010	LAFN08877		SUPPORT -	1,00			--
0011	VTVT01351		SCREW M8-20 INOX A2 -70	6,00			--
0012	LAFN08876		SUPPORT -	1,00			--
0013	MECE00526		BOARD POWER SERVICE CT160-CT230	1,00			--
0014	VTRS00245		WASHER D.6 UNI 6592 INOX	6,00			--
0015	VTVT15912		SCREW TCEI M 6X35 UNI 5931 INX	4,00			--
0016	VTVT15966		SCREW TCEI M 6X25	2,00			--
0017	VTVT15906		SCREW TE 6X 12 A2 UNI 5739	2,00			--
0018	METT00086		CONTACTOR 100A	1,00			--
0019	VTVT00881		SCREW TC+ M4x6 TRILOBATA INOX	8,00			--
0020	MEVR00146		FUSE-HOLDER MEGA	1,00			--
0021	MEVR47082		INSULATOR MM35 M6 CH 32	2,00			--
0022	VTVR00057		ARTICULATION STEERING	1,00			--
0024	METT00086		CONTACTOR 100A	1,00			--
0025	MPVR51068		PROTECTOR STEERING	1,00			--
0026	MEVR01436		BUZZER -	1,00			--
0027	LAFN04134		WASHER PIGNONE STERZO	1,00			--
0028	MECE00525		BOARD TRACTION CURTIS 36V 160A	1,00			--
0029	VTAE00050		RING D'ARRESTO ALBERO	1,00			--
0030	MPVR47026		CAP PER VOLANTE	1,00			--
0031	VTRS44254		WASHER UNI 6593 10X40X2,5 ZB	1,00			--
0032	VTVT01550		SCREW TCCE UNI 5931 6X50 ZB	1,00			--
0033	VTVT07725		SCREW TE 5X16 UNI5739 INX	3,00			--
0034	LAFN51017		SPACER CRUSC.	1,00			--
0035	VTVT00881		SCREW TC+ M4x6 TRILOBATA INOX	4,00			--
0036	MEVR02011		SELECTOR -	1,00			--
0037	MEVR02038		SUPPORT -	1,00			--
0038	LAFN05787		ASSEMBLED PIANTONE	1,00			--
0039	MPVR04658		CAP PER TUBO D.20 CLT160	2,00			--
0040	LAFN05765		ASSEMBLED RALLA STERZO	1,00			--
0041	LAFN05763		ASSEMBLED PIASTRA STERZO	1,00			--
0042	LAFN05795		BRACKET PORTAPOMPA	1,00			--
0043	PPEL00025		PUMP EST. 36V	1,00			--
0044	LAFN05764		ASSEMBLED CORONA STERZO	1,00			--
0045	VTVT00832		SCREW TSPEI M6X16 INOX	6,00			--



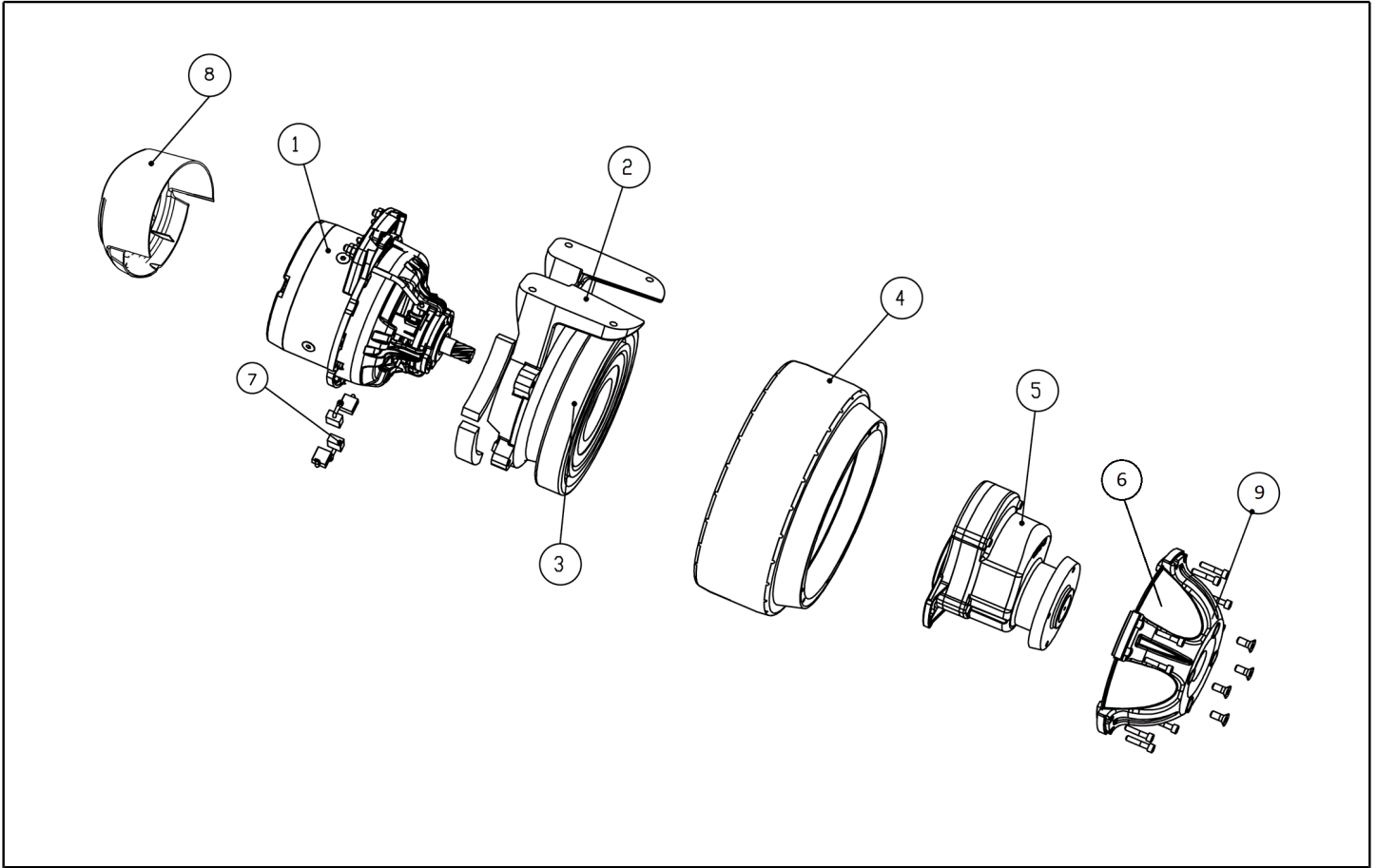
Ref. K	Part n.	Part n. 2	Description	Quantity	Validity		Price
					From	To	
0046	CUVR00120		BEARING 6007-2RS1	2,00			--
0047	LAFN04117		BUSHING PORTACISCINETTI	1,00			--
0048	VTRS13947		WASHER D. 8 INX UNI 6592	2,00			--
0049	VTVR75747		RING NUT AUTOBLOK M35X1,5 GUK	1,00			--
0050	VTVT13936		SCREW TE M 10X 20	6,00			--
0051	MEVR01746		CARBON X MOT.COD.MOCC00374	4,00			--
0051	MOCC00384		MOTORWHEEL -	1,00			--
0051	MOCC00398		MOTOR MP100	1,00			--
0051	RTRT00533		RING MOTORWHEEL	1,00			--
0051	RDGR00039		REDUCTION UNIT -	1,00			--
0052	CUVR00105		BEARING SB204KDF+PFL204PTN	1,00			--
0053	MTCR00085		CHAIN 3/8"	1,00			--
0054	MEVR02039		CONTACT -	2,00			--
0055	MPVR47027		STEERING WHEEL D.320 SENZA POMELLO	1,00			--
0056	MEVR02012		CONTACT -	2,00			--
0057	MEVR01573		SMALL KNOB 2200 V6	1,00			--
0058	MEVR01575		CAP 2202	1,00			--
0060	VTVT00717		SCREW TCEI M. 6-16	1,00			--
0061	VTVT00715		SCREW TE M.10-35	2,00			--
0062	VTRS15523		WASHER D.10 X21 INOX UNI 6592	2,00			--
0063	LAFN06487		BRACKET FISSA CARENE DP	1,00			--
0064	LAFN06486		BRACKET FISSA CARENE DP	1,00			--
0065	MEVR01574		RING NUT 2204	1,00			--
0066	MEVR01941		POTENTIOMETER 100K	1,00			--
0067	MTCR47037		JOINT 3/8 PER CATENA TK 1000	1,00			--
0068	LAFN07030		SPACER -	1,00			--
0069	VTVT15916		SCREW TE M 8X 16 UNI 5739 A2	2,00			--
0070	LAFN07029		SPACER -	1,00			--
0071	GUGO00415		GASKET PANNELLO COMANDI CT160	1,00			--
0072	RTRT00533		RING MOTORWHEEL	1,00			--
0073	MPVR47040		KNOB FOR STEERING WHEEL	1,00			--
0074	VTVT16939		SCREW M 4X 16 TSPEI UNI 5933	4,00			--
0075	VTVR00306		INSERT FILETTATO ESAGONALE M5	6,00			--
0076	LAFN08870		BRACKET -	1,00			--
0077	MECI75805		SWITCH KEY FOR BATTERY MACHINES	1,00			--
0078	LAFN08869		SUPPORT -	1,00			--
0079	ETET01664		LABEL -	1,00			--
0080	ETET01663		LABEL -	1,00			--
0081	LAFN08851		SUPPORT -	1,00			--
0082	MECI00028		SWITCH EMERGENCY 24V - RED	1,00			--
0083	MECE00531		BOARD DISPLAY CT160-CT230	1,00			--
0084	MECE00532		BOARD LOGIC CT160-CT230 CURTIS	1,00			--
0085	MPVR05840		COVER -	1,00			--
0086	MEVR00145		FUSE 100A	1,00			--



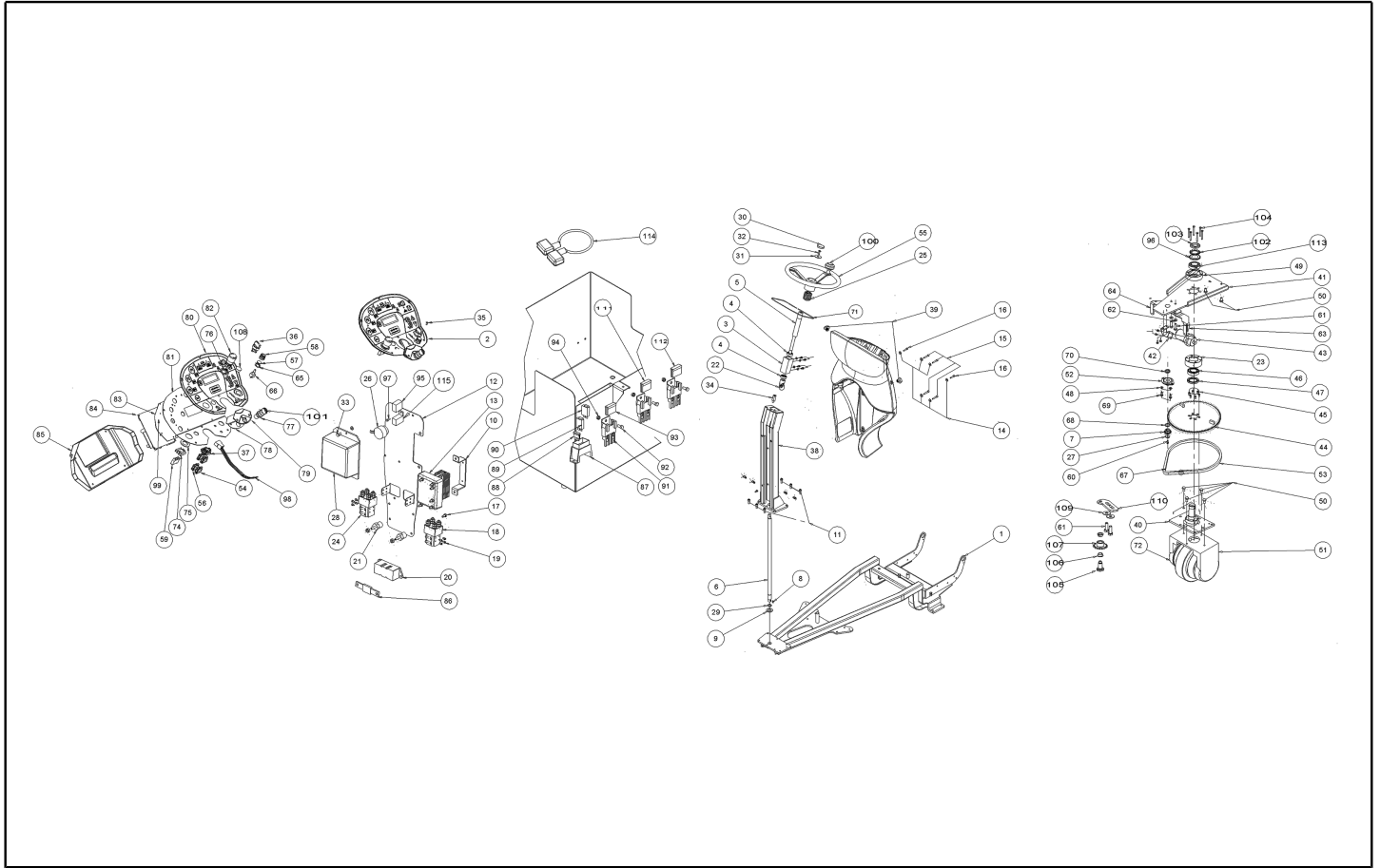
Ref. K	Part n.	Part n. 2	Description	Quantity	Validity		Price
					From	To	
0087	MEVR00030		FUSE-HOLDER 4 VIE COPERCHIO TRAS.	1,00	26/10/2011	--	--
0088	MEVR00584		FUSE 3A	1,00	26/10/2011	--	--
0089	MEVR01559		FUSE RESETTABLE 4A -ETA-	1,00	26/10/2011	--	--
0090	MEVR01559		FUSE RESETTABLE 4A -ETA-	1,00	26/10/2011	--	--
0091	MEVR00613		FUSE CARRIER MAXIVAL with cover	1,00	26/10/2011	--	--
0092	VTVT01300		SCREW TE M5X12 INOX	1,00	26/10/2011	--	--
0093	MEVR00644		FUSE MAXIVAL 30A	1,00	26/10/2011	--	--
0094	VTDD01693		NUT M 5 INX	1,00	26/10/2011	--	--
0095	MECE00456		RELAY CT110	1,00	26/10/2011	--	--
0097	VTVT07725		SCREW TE 5X16 UNI5739 INX	1,00	26/10/2011	--	--
0098	MECB01319		WIRING CURTIS	1,00	15/11/2012	--	--
0099	MECE00533		BOARD INTERFACE CURTIS-CHEMICAL	1,00	08/01/2013	--	--
0100	MPVR47040		KNOB FOR STEERING WHEEL	1,00	--	--	--
0101	MEVR00093		KEY SPARE BATTERY VERSION	1,00	--	--	--



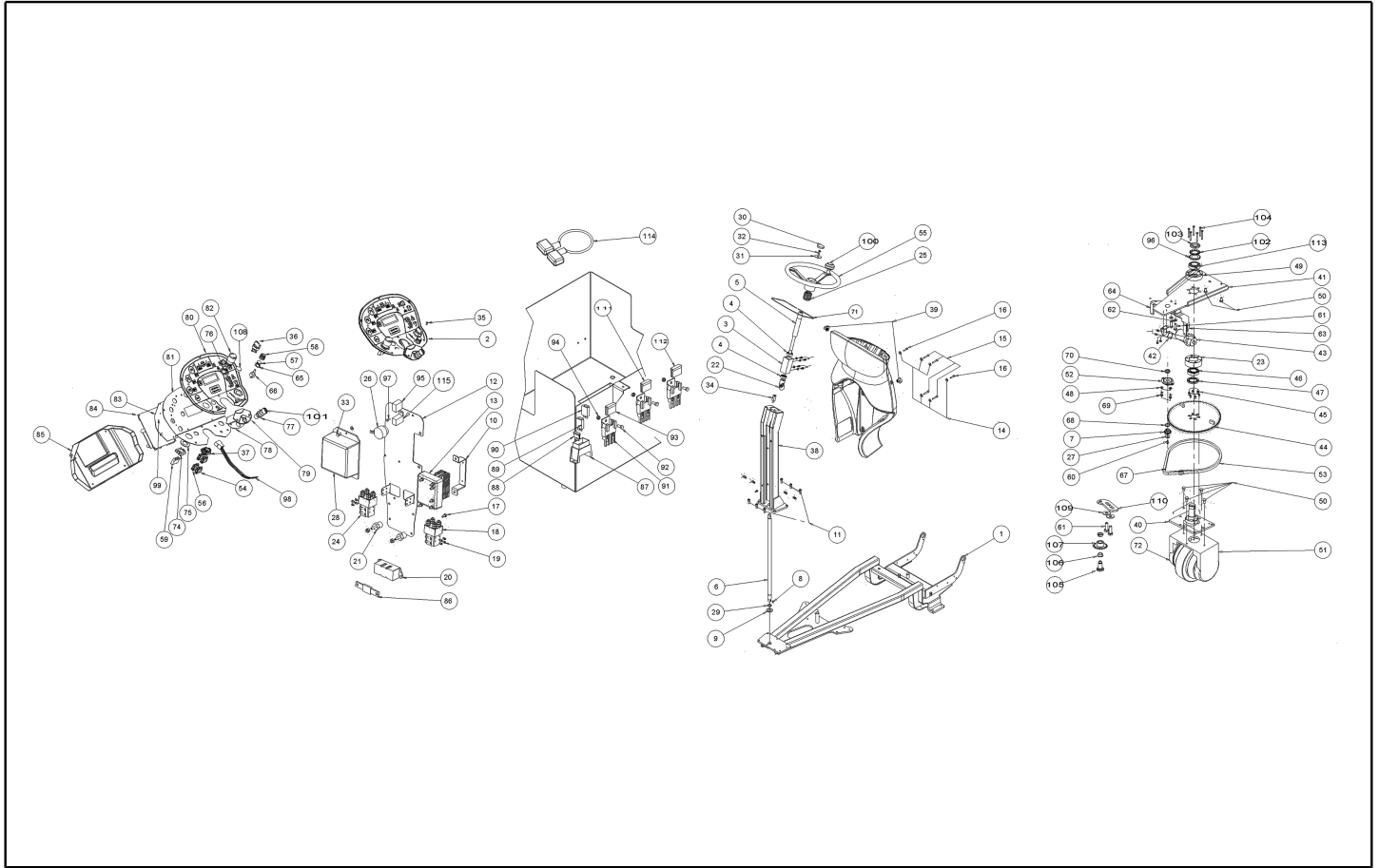
Ref. K	Part n.	Part n. 2	Description	Quantity	Validity		Price
					From	To	
0001	ETET00895		ADHESIVE SIMBOLO LEGGERE IL MANUAL	1,00			--
0002	ETET00730		LABEL BATTERIE SCOLLEGATE	1,00			--
0003	ETET01637		LABEL -	1,00			--
0004	ETET00463		ADHESIVE SCARICO ACQUA	1,00			--
0005	ETET01686		LABEL -	2,00			--
0006	MPVR05862		TANK RECOVERY CT160 GREEN	1,00			--
0007	MPVR05861		SEAT SUPPORT CT160 GRAY 7024	1,00			--
0008	ETET01408		LABEL SCHEMA COLLEG. BATTERIE	1,00			--
0009	MPVR04179		ENVELOPE PORTAMANUALE ADESIVA	1,00			--
0010	PLDC01455		ELEC. DIAGRAM DISEGNO	1,00			--
0011	MPVR05865		SIDE PANEL -	1,00			--
0012	MPVR05866		SIDE PANEL -	1,00			--
0013	KTRIO2011		TANK SOLUZIONE CLT160	1,00			--
0014	ETET00897		ADHESIVE SIMBOLO PERICOLO	2,00			--
0015	ETET00906		ADHESIVE SIMBOLO PERICOLO DI ABRAS	2,00			--
0016	MIVR00064		ENVELOPE PORTA CABLAGGI	1,00			--
0018	PLDC01504		INSTR.MANUAL NEUTRO CLEAN TIME 160	1,00			--



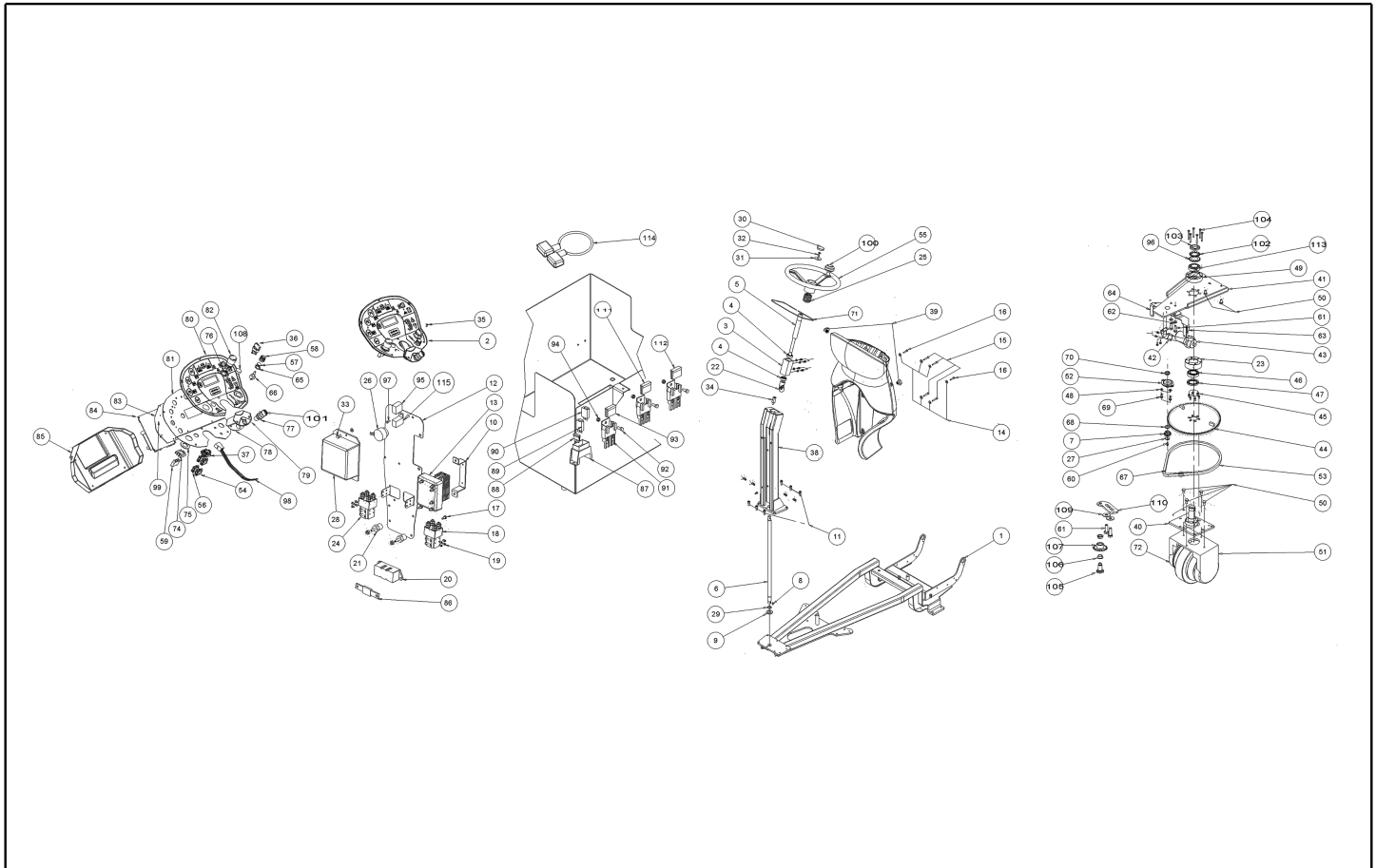
Ref. K	Part n.	Part n. 2	Description	Quantity	Validity		Price
					From	To	
0001	MOCC00398		MOTOR MP100	1,00			--
0002	MFVR00290		SUPPORT ALUMINIUM MOTORWHEEL	1,00			--
0003	CUVR00194		BEARING 61926 2RS	1,00			--
0004	RTRT00533		RING MOTORWHEEL	1,00			--
0005	RDGR00039		REDUCTION UNIT -	1,00			--
0006	MPVR05990		CAP CT110	1,00			--
0007	MEVR00985		BRUSH CARBON 10X18	1,00			--
0008	MPVR04999		CAP .	1,00			--
0009	MFVR00295		SUPPORT ALUMINIUM PU RING	1,00			--



Ref. K	Part n.	Part n. 2	Description	Quantity	Validity		Price
					From	To	
0001	LAFN05790		FRAME COMPLETO CLT160	1,00			--
0002	MECE00794		BOARD COMPLETE CT160-230	1,00			--
0003	LAFN04133		HUB ALBERO STERZO	1,00			--
0004	CUVR17004		BALL BEARING 6202 -2RS1	2,00			--
0005	LAFN04076		SHAFT STERZO SUPERIORE P185	1,00			--
0006	LAFN04131		SHAFT STERZO NUOVO	1,00			--
0007	MTCR00070		PINION ALBERO STERZO P185	1,00			--
0008	VTVR00229		KEY 5X5X12	1,00			--
0009	VTRS00019		WASHER UNI 6592 FORO 20 INOX	1,00			--
0010	LAFN08877		SUPPORT -	1,00			--
0011	VTVT01351		SCREW M8-20 INOX A2 -70	6,00			--
0012	LAFN08876		SUPPORT -	1,00			--
0013	MECE00526		BOARD POWER SERVICE CT160-CT230	1,00			--
0014	VTRS00245		WASHER D.6 UNI 6592 INOX	6,00			--
0015	VTVT15912		SCREW TCEI M 6X35 UNI 5931 INX	4,00			--
0016	VTVT15966		SCREW TCEI M 6X25	2,00			--
0017	VTVT15906		SCREW TE 6X 12 A2 UNI 5739	2,00			--
0018	METT00086		CONTACTOR 100A	1,00			--
0019	VTVT21096		SCREW TE M 4X 10 INX	8,00			--
0020	MEVR00146		FUSE-HOLDER MEGA	1,00			--
0021	MEVR47082		INSULATOR MM35 M6 CH 32	2,00			--
0022	VTVR00057		ARTICULATION STEERING	1,00			--
0023	LAFN11202		BUSHING LOWER CT160	1,00			--
0024	METT00086		CONTACTOR 100A	1,00			--
0025	MPVR51068		PROTECTOR STEERING	1,00			--
0026	MEVR01436		BUZZER -	1,00			--
0027	LAFN04134		WASHER PIGNONE STERZO	1,00			--
0028	MECE00788		BOARD CURTIS 1229-3101 24-36V	1,00			--
0029	VTAE00050		RING D'ARRESTO ALBERO	1,00			--
0030	MPVR47026		CAP PER VOLANTE	1,00			--
0031	VTRS44254		WASHER UNI 6593 10X40X2,5 ZB	1,00			--
0032	VTVT01550		SCREW TCCE UNI 5931 6X50 ZB	1,00			--
0033	VTVT07725		SCREW TE 5X16 UNI5739 INX	3,00			--
0034	LAFN51017		SPACER CRUSC.	1,00			--
0035	VTVT00881		SCREW TC+ M4x6 TRILOBATA INOX	4,00			--
0036	MEVR02011		SELECTOR -	1,00			--
0037	MEVR02038		SUPPORT -	1,00			--
0038	LAFN05787		ASSEMBLED PIANTONE	1,00			--
0039	MPVR04658		CAP PER TUBO D.20 CLT160	2,00			--
0040	LAFN11201		PLATE CT160	1,00			--
0041	LAFN05763		ASSEMBLED PIASTRA STERZO	1,00			--
0042	LAFN05795		BRACKET PORTAPOMPA	1,00			--
0043	PEL00025		PUMP EST. 36V	1,00			--
0044	LAFN05764		ASSEMBLED CORONA STERZO	1,00			--



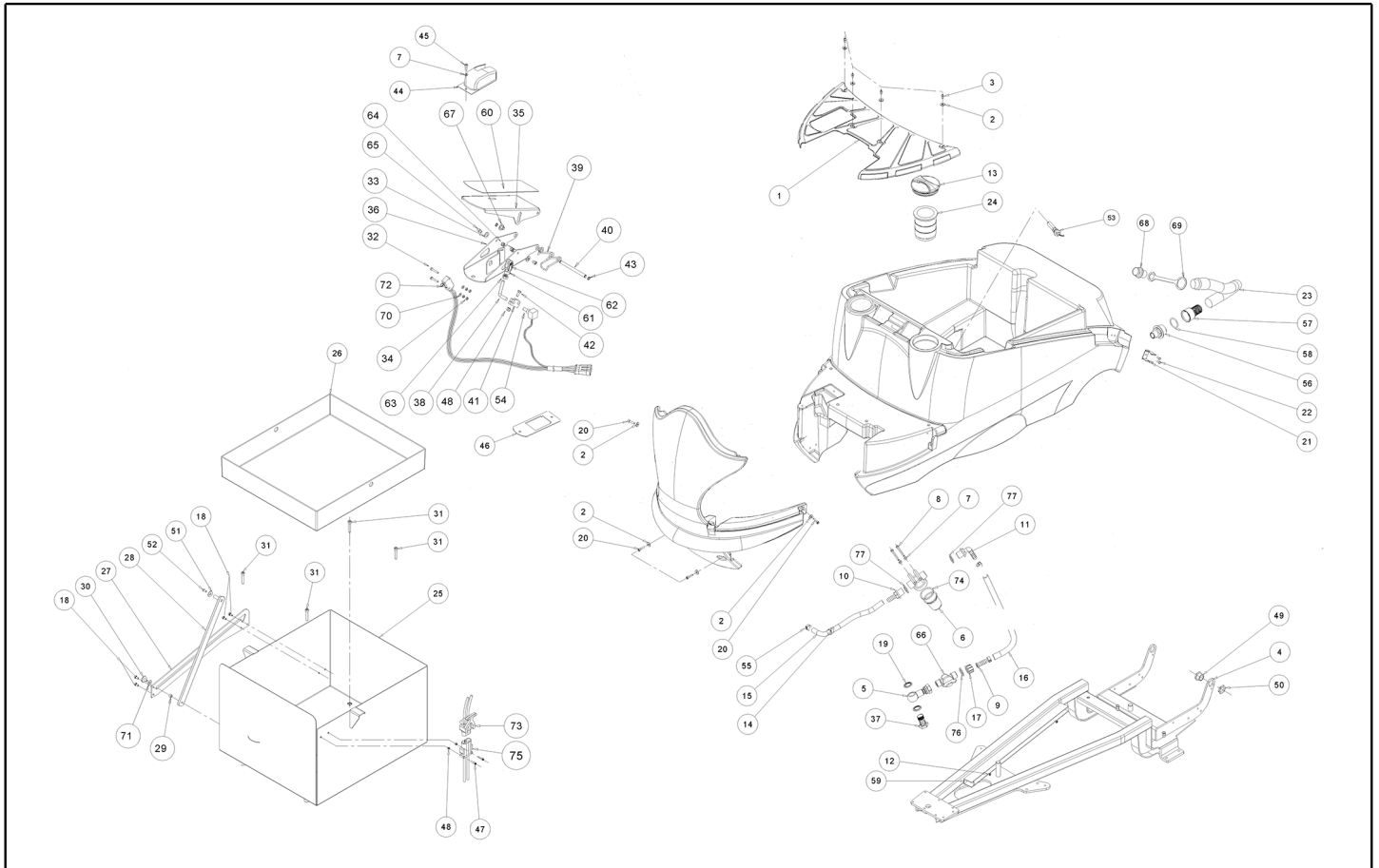
Ref. K	Part n.	Part n. 2	Description	Quantity	Validity		Price
					From	To	
0045	VTVT00832		SCREW TSPEI M6X16 INOX	6,00			--
0046	CUVR00264		BEARING 32007X	1,00			--
0047	GUVR00565		GASKET DIN 3760 A 40X62X7	1,00			--
0048	VTRS13947		WASHER D. 8 INX UNI 6592	2,00			--
0049	LAFN11203		BUSHING UPPER CT160	1,00			--
0050	VTVT13936		SCREW TE M 10X 20	6,00			--
0051	MEVR01746		CARBON X MOT.COD.MOCC00374	4,00			--
0051	MOCC00398		MOTOR MP100	1,00			--
0051	RDGR00039		REDUCTION UNIT -	1,00			--
0051	RTRT00533		RING MOTORWHEEL	1,00			--
0051	MOCC00384		MOTORWHEEL -	1,00			--
0052	CUVR00105		BEARING SB204KDF+PFL204PTN	1,00			--
0053	MTCR00085		CHAIN 3/8"	1,00			--
0054	MEVR02039		CONTACT -	2,00			--
0055	MPVR47027		STEERING WHEEL D.320 SENZA POMELLO	1,00			--
0056	MEVR02012		CONTACT -	2,00			--
0057	MEVR01573		SMALL KNOB 2200 V6	1,00			--
0058	MEVR01575		CAP 2202	1,00			--
0059	MECI00584		CONTACT -	1,00			--
0060	VTVT00717		SCREW TCEI M. 6-16	1,00			--
0061	VTVT00411		SCREW TCEI M10x35 UNI5931	2,00			--
0062	VTRS15523		WASHER D.10 X21 INOX UNI 6592	2,00			--
0063	LAFN06487		BRACKET FISSA CARENE DP	1,00			--
0064	LAFN06486		BRACKET FISSA CARENE DP	1,00			--
0065	MEVR01574		RING NUT 2204	1,00			--
0066	KTRI05576		KIT POTENTIOMETER SPEED CONTR	1,00			--
0067	MTCR47037		JOINT 3/8 PER CATENA TK 1000	1,00			--
0068	LAFN07030		SPACER -	1,00			--
0069	VTVT15916		SCREW TE M 8X 16 UNI 5739 A2	2,00			--
0070	LAFN07029		SPACER -	1,00			--
0071	GUGO00415		GASKET PANNELLO COMANDI CT160	1,00			--
0072	RTRT00533		RING MOTORWHEEL	1,00			--
0074	MECI00583		SMALL BASKET -	1,00			--
0075	MPVR11693		WASHER Ø22,5X39,6X2,4 PA	1,00			--
0076	MPVR11692		ADAPTER BOTTON	1,00			--
0077	MECI75805		SWITCH KEY FOR BATTERY MACHINES	1,00			--
0078	LAFN08869		SUPPORT -	1,00			--
0079	ETET01664		LABEL -	1,00			--
0080	ETET01663		LABEL -	1,00			--
0081	LAFN08851		SUPPORT -	1,00			--
0082	MECI00582		BUTTON -	1,00			--
0083	MECE00531		BOARD DISPLAY CT160-CT230	1,00			--
0084	MECE00532		BOARD LOGIC CT160-CT230 CURTIS	1,00			--
0085	MPVR05840		COVER -	1,00			--



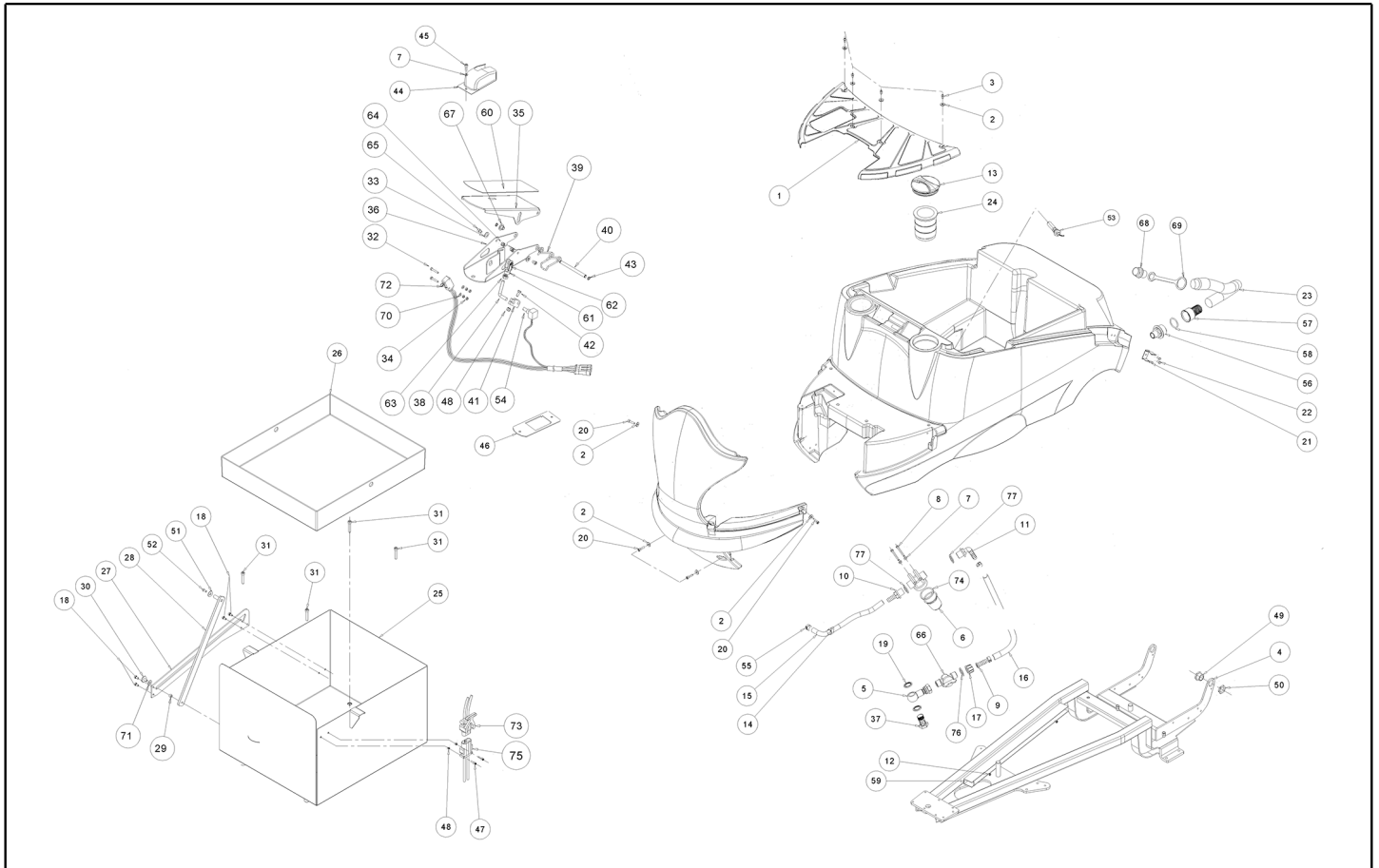
Ref. K	Part n.	Part n. 2	Description	Quantity	Validity		Price
					From	To	
0086	MEVR00145		FUSE 100A	1,00			--
0087	MEVR00030		FUSE-HOLDER 4 VIE COPERCHIO TRAS.	1,00			--
0088	MEVR00584		FUSE 3A	1,00			--
0089	MEVR01559		FUSE RESETTABLE 4A -ETA-	1,00			--
0090	MEVR01559		FUSE RESETTABLE 4A -ETA-	1,00			--
0091	MEVR00613		FUSE CARRIER MAXIVAL with cover	3,00			--
0092	VTVT01300		SCREW TE M5X12 INOX	3,00			--
0093	MEVR00644		FUSE MAXIVAL 30A	1,00			--
0094	VTDD01693		NUT M 5 INX	3,00			--
0095	MECE00456		RELAY CT110	1,00			--
0096	PVVR01018		RING NILOS 32007	1,00			--
0097	VTVT07725		SCREW TE 5X16 UNI5739 INX	1,00			--
0098	MECB02035		WIRING	1,00			--
0099	MECE00533		BOARD INTERFACE CURTIS-CHEMICAL	1,00			--
0100	MPVR47040		KNOB FOR STEERING WHEEL	1,00			--
0101	MEVR00093		KEY SPARE BATTERY VERSION	1,00			--
0102	VTRS00595		WASHER MB 7 DIN5406	1,00			--
0103	VTVR75747		RING NUT AUTOBLOK M35X1,5 GUK	1,00			--
0104	VTVT15917		SCREW TE M 8X50 INOX A2 UNI	6,00			--
0105	LAFN11196		PIN CT160	1,00			--
0106	CUVR00192		BUSHING -	2,00			--
0107	MTPL00238		ROLLER CT160	1,00			--
0108	RCVR00266		CAP D.19	1,00			--
0109	VTRS15523		WASHER D.10 X21 INOX UNI 6592	2,00			--
0110	LAFN11195		SUPPORT CT160 R	1,00			--
0111	MEVR04014		FUSE 50A MAXIVAL	1,00			--
0112	MEVR04014		FUSE 50A MAXIVAL	1,00			--
0113	CUVR00264		BEARING 32007X	1,00			--
0114	MEVR34820		WIRING BATTERY BRIDGE W/TERMINAL	6,00			--
0115	MEVR02888		BASE TE V23333-Z1001-B045	1,00			--

Table: WATER TANK

Progressive number: 1



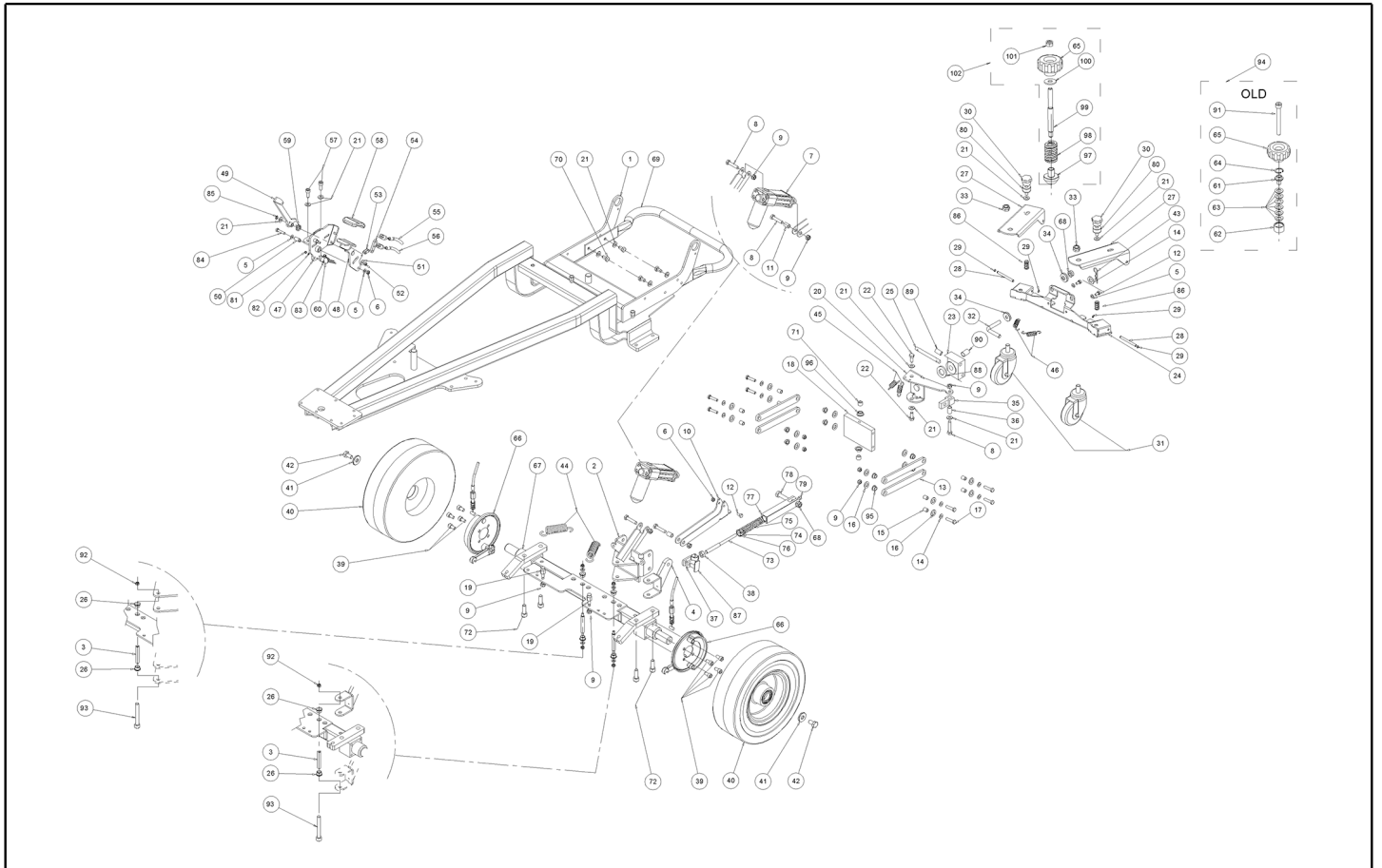
Ref. K	Part n.	Part n. 2	Description	Quantity	Validity		Price
					From	To	
0001	MPVR03002		PLANE CLEANTIME	1,00			--
0002	VTRS13945		WASHER D. 6X18 INX UNI 6593	8,00			--
0003	VTVT00093		SCREW TBCE ISO 7380 6X12 ZB	4,00			--
0005	RCVR01728		CONNECTOR -	1,00			--
0006	FTAC00038		FILTER SOLUTION TANK G1/2	1,00			--
0007	VTRS00503		WASHER D. 6 UNI 6798	2,00			--
0008	VTVT00699		SCREW TE M. 6-70	2,00			--
0009	RCVR00744		CONNECTOR -	1,00			--
0010	RCVR00540		CONNECTOR	1,00			--
0011	RCVR00542		CURVED CONNECT. M G1/2 PORTAG. 113-2213	1,00			--
0012	VTVT85145		SCREW TCB T-CROCE 4,2X9,5 INOX	2,00			--
0013	MPVR04075		CAP SOLUTION TANK CT160	1,00			--
0014	FSVR00107		CLAMP KSS CABLE CLAMP	1,00			--
0017	MPVR05240		RING NUT G1/2	1,00			--
0018	VTVT15906		SCREW TE 6X 12 A2 UNI 5739	5,00			--
0019	VTRS00567		WASHER 1/2	2,00			--
0020	VTVT15966		SCREW TCEI M 6X25	4,00			--
0021	MPVR46988		CLIP FIXATION DRAIN HOSE	1,00			--
0022	VTVT01300		SCREW TE M5X12 INOX	2,00			--
0023	TBFX00208		TUBE DI SCARICO	1,00			--
0024	FTAC48857		FILTER SOLUTION TANK INLET	1,00			--
0025	LAFN51000			1,00			--
0026	MPVR04127		PLATE CONTENITORE BATTERIE P185	1,00			--
0027	LAFN05807		GUIDE PER ASTA SERBATOIO P185	1,00			--
0028	LAFN05803		ASSEMBLED ASTA SERBATOIO P185	1,00			--
0029	LAFN04148		BUSHING ASTA SERBATOIO P185	1,00			--
0030	VTVT15916		SCREW TE M 8X 16 UNI 5739 A2	1,00			--
0031	VTVT00889		SCREW TCEI M. 8-45	4,00			--
0032	VTVT01350		SCREW M3-20 INOX	2,00			--
0033	MPVR05528		WASHER -	2,00			--
0034	VTDD21115		NUT M 3 INOX	4,00			--
0035	LAFN06474		SHEET METAL PA. PEDALE	1,00			--
0036	LAFN07532		BASE -	1,00			--
0037	RCDS49623		SCREW G 1/2 L=41.5	1,00			--
0038	LAFN0909		BRACKET BIELLETTA PEDALE	1,00			--
0039	MLML00034		SPRING PEDALE AVANZAMENTO G1050	1,00			--
0040	LAFN00524		PIN PEDALE TK 1050	1,00			--
0041	LAFN01149		CONNECTING ROD PEDALE AVANZAMENTO G1050	1,00			--
0042	VTVT00727		SCREW TE M. 4-20	2,00			--
0043	VTAE48552		CIRCLIP ESTERNO DIN 471 D.6	2,00			--
0044	MPVR00302		CRANKCASE PEDALE AVANZAMENTO	1,00			--
0045	VTVT15143		SCREW TE 6X16 UNI5739	1,00			--
0046	LAFN05802		FLANGE PEDALE ACCELERATORE P185	1,00			--
0047	VTVT22203		SCREW TCB-TC 4X25 UNI7687	2,00			--



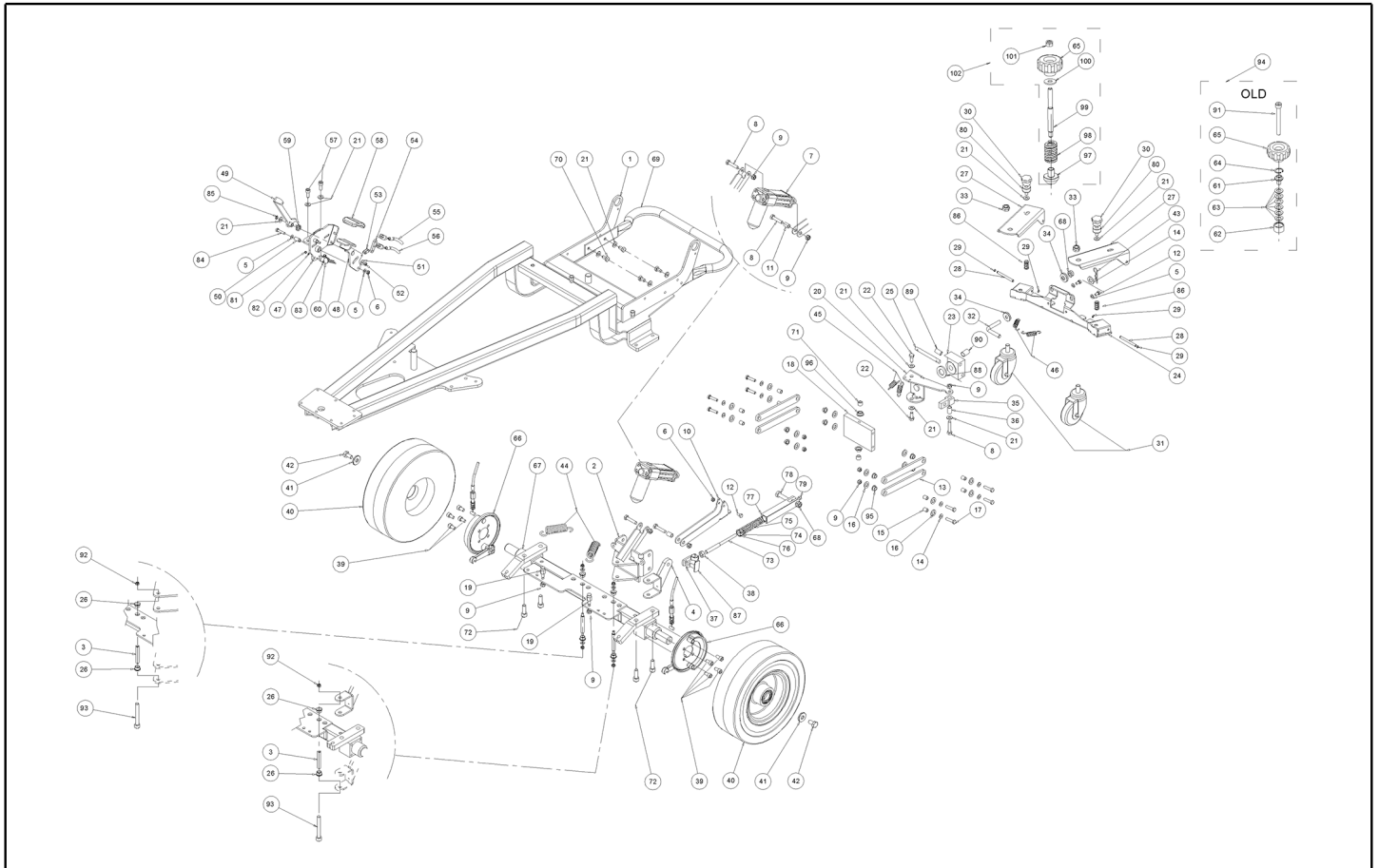
Ref. K	Part n.	Part n. 2	Description	Quantity	Validity		Price
					From	To	
0048	VTDD04369		NUT M 4 TEF UNI 7473	1,00			--
0049	LAFN51079		ECCENTRIC SERB.RECUP.P185	1,00			--
0050	LAFN51080		RING NUT ECCENTR.SERB.RECUP.P185	1,00			--
0051	VTRS13946		WASHER D. 8 X24 INX UNI 6593	1,00			--
0052	VTVT00832		SCREW TSPEI M6X16 INOX	1,00			--
0053	MEC00516		SENSOR FLOAT WATER TANK	1,00			--
0054	MECB01227		WIRING ACCELERATOR	1,00			--
0055	FSVR00261		CLAMP	4,00			--
0056	RCVR00713		REDUCTION MASCHIO/MASCHIO	1,00			--
0057	RCVR00712		CONNECTOR PORTAGOMMA	1,00			--
0058	GUGO00290		GASKET OR (G10052)	1,00			--
0059	MEVR01431		GUIDE PVC GRIGIO 25 X 40	1,00			--
0060	MPVR00866		PLANE ANTISDRUCCILOLO G1050	1,00			--
0061	CMCV76639		FORK M 6 UNI 1676	1,00			--
0062	CMCV75717		CLIP UNI 1676 M6	1,00			--
0063	VTDD00482		NUT M 6 ZIN UNI 5588	1,00			--
0064	VTDD04369		NUT M 4 TEF UNI 7473	2,00			--
0065	VTVT00089		SCREW TCCE UNI 5931 4X10 ZB	2,00			--
0066	RCGR00078		VALVE TAP SOLUTION TANK	1,00			--
0067	CUVR00183		BUSHING -	2,00			--
0068	MPVR05064		CAP COMPLETO	1,00			--
0069	MPVR49412		CLAMP SHK	1,00			--
0070	VTRS00117		WASHER 3.2X7 UNI6592	2,00			--
0071	VTRS13947		WASHER D. 8 INX UNI 6592	1,00			--
0072	MECB01228		WIRING -	1,00			--
0073	MECB02057		PLUG	1,00			--
0074	GUVR00311		GASKET FTAC00038	1,00			--
0075	MEVR01148		SOCKET CONNECTOR 175 A GRIGIO	1,00			--
0076	GUGO00427		GASKET -	1,00			--
0077	GUGO36290		O-RING D. 17.04 X 3.53 NBR 70SH	2,00			--

Table: FRAME

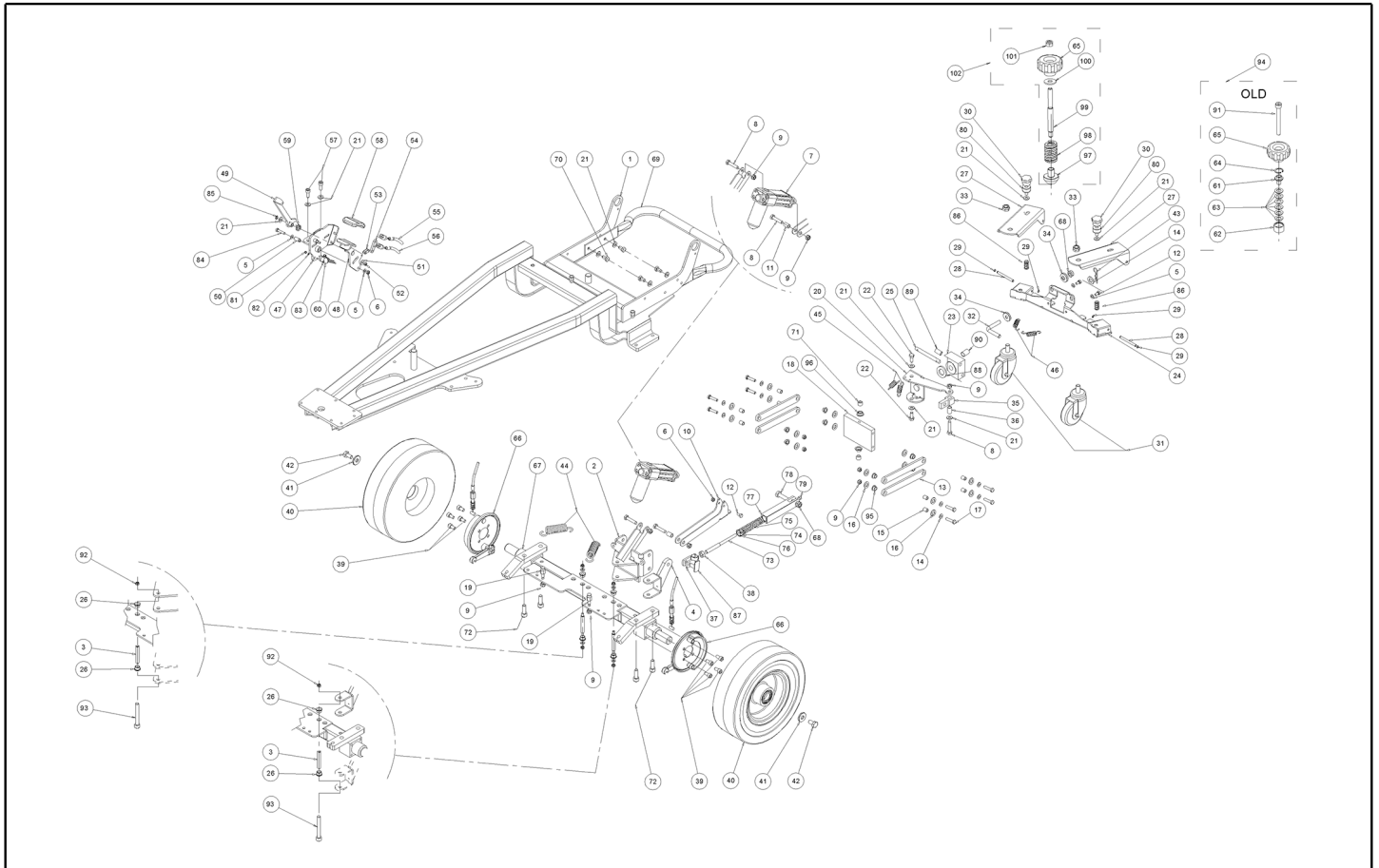
Progressive number: 1



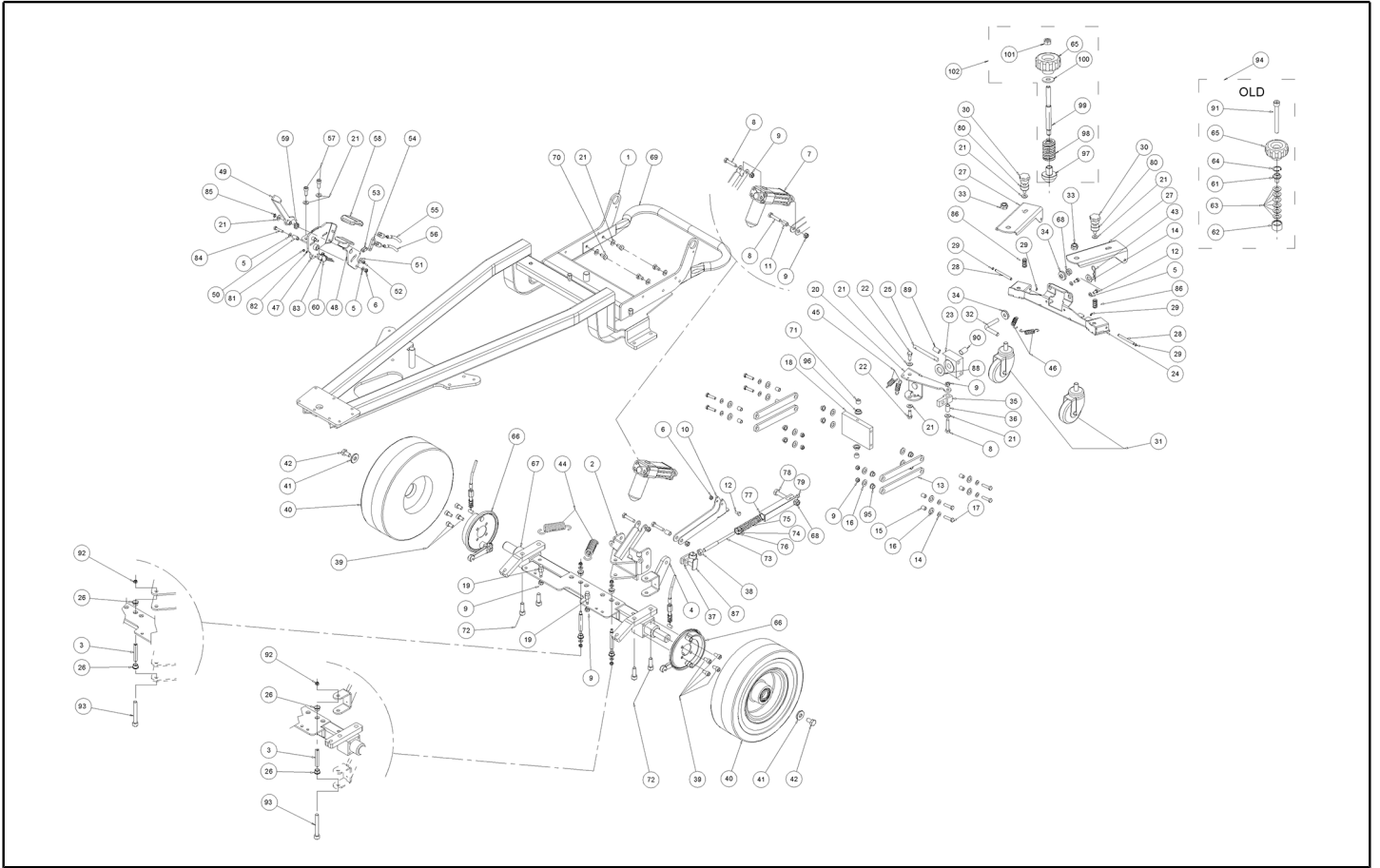
Ref. K	Part n.	Part n. 2	Description	Quantity	Validity		Price
					From	To	
0001	LAFN05790		FRAME COMPLETO CLT160	1,00			--
0002	LAFN05780		ARTICULATION PORTATERGI	1,00			--
0003	LAFN07879		BUSHING -	2,00			--
0004	LAFN05778		ASSEMBLED C SNODO ORIZZONTALE	1,00			--
0005	VTRS00503		WASHER D. 6 UNI 6798	8,00			--
0006	VTDD00010		NUT AUTOBLOK DIN 985 M6 BASSO	6,00			--
0007	MOCC00394		ACTUATOR SQUEEGEE CT160-230 36V	1,00			--
0008	VTVT00708		SCREW TE M. 8-40	3,00			--
0009	VTDD01695		NUT M 8 INX	9,00			--
0010	LAFN05777		LEVER SOLLEVAMENTO TERGI	1,00			--
0011	LAFN04139		SPACER SNODO TERGI	1,00			--
0012	VTVT15906		SCREW TE 6X 12 A2 UNI 5739	4,00			--
0013	LAFN11222		ARM	4,00			--
0014	VTRS13947		WASHER D. 8 INX UNI 6592	16,00			--
0015	LAFN08907		SPACER 12-8	8,00			--
0016	VTRS15978		WASHER D.12X24 UNI 6592 INX	16,00			--
0017	VTVT13937		SCREW TE M 8X 30 INX UNI 5739	8,00			--
0018	LAFN04125		PLATE TESTATA PARALLELOGR.	1,00			--
0019	LAFN04143		PIN FISSA MOLLA	2,00			--
0020	LAFN11233		ARTICULATION SQUEEGEE CT160 HD	1,00			--
0021	VTRS13947		WASHER D. 8 INX UNI 6592	24,00			--
0022	VTVT13937		SCREW TE M 8X 30 INX UNI 5739	2,00			--
0023	LAFN04122		ARTICULATION POSTERIORE	1,00			--
0024	LAFN11247		PLATE CT160 SQUEEGEE	1,00			--
0025	LAFN04123		PIN SUPPORTO TERGI P.185	1,00			--
0026	CUVR00130		BEARING STRISCIAMENTO	4,00			--
0027	LAFN08993		ARM PORTARUOTA TERGI P185	2,00			--
0028	LAFN04150		PIN BRACCIO RUOTA TERGI P185	2,00			--
0029	VTAE48552		CIRCLIP ESTERNO DIN 471 D.6	4,00			--
0030	VTVR00534		HANDWHEEL 8MAX20 D.40	2,00			--
0031	RTRT00518		WHEEL CASTOR D.80X30	2,00			--
0032	LAFN04135		REGISTER CAMPANATURA TERGI	1,00			--
0033	VTDD00176		NUT M.12 INOX A2 BASSO AUTOB.	2,00			--
0034	LAFN04136		KNOB REGISTRO TERGI	2,00			--
0035	LAFN04124		BLOCK SNODO PARAL ORIZ	1,00			--
0036	LAFN04158		SPACER PARALL.LATER.TERGI P185	1,00			--
0037	CMCV00314		FORK M.10 CPL.CLIP	1,00			--
0038	VTDD00154		NUT M.10 INOX A2	1,00			--
0039	VTVT00876		SCREW TCEI M.8-16	8,00			--
0040	RTRT00301		WHEEL REAR D.306 4.00-4 CT160	2,00			--
0041	LAFN04144		WASHER RUOTE POSTERIORI	2,00			--
0042	VTVT13936		SCREW TE M 10X 20	2,00			--
0043	VTVR00226		SPLIT PIN ELASTICA D2	1,00			--
0044	MLML00241		SPRING BRUSH PRES. CT110-160-230	2,00			--



Ref. K	Part n.	Part n. 2	Description	Quantity	Validity		Price
					From	To	
0045	MLML00022		SPRING GANCIO ARPIONE	2,00			--
0046	MLML00242		SPRING LIVELLAMENTO TERGI P185	2,00			--
0047	S LAFN05766		SUPPORT PEDALE CPL	1,00			--
0048	S LAFN05767		ASSEMBLED PEDALE FRENO	1,00			--
0049	S LAFN51019		PEDAL BLOCCO	1,00			--
0050	S LAFN04142		PIN PEDALE FRENO	1,00			--
0051	VTRS15958		WASHER UNI 6592 5X15X1,5 ZB	1,00			--
0052	VTDD15517		NUT M 5 INX	1,00			--
0053	MTCR47037		JOINT 3/8 PER CATENA TK 1000	1,00			--
0054	S LAFN05769		BALANCER PER CAVI FRENO	1,00			--
0055	S CMCV00311		CABLE FRENO SX	1,00			--
0056	S CMCV00310		CABLE FRENO DX	1,00			--
0057	VTVT01351		SCREW M8-20 INOX A2 -70	2,00			--
0058	S MPVR45096		PEDAL COVER GRANDE V1021	1,00			--
0059	S MLML00237		SPRING RICHIAMO PEDALE B.F. P185	1,00			--
0060	MECI44780		MICROSWITC IP67 OMRON D2VWV-5L2A-1M	1,00			--
0061	LAFN07939		PLATE XS	2,00		25/11/2018	--
0062	LAFN04137		CONTAINER MOLLE A TAZZA	1,00		25/11/2018	--
0063	MLML00245		SPRING A TAZZA	12,00		25/11/2018	--
0064	VTAE13513		CIRCLIP D. 26 UNI 7437	2,00		25/11/2018	--
0065	VTVR00047		HANDWHEEL D.50 M8	2,00			--
0066	RTRT45090		BRAKE PORTACEPPO D.125 TK1400	2,00			--
0067	LAFN07957		AXLE CT160	1,00			--
0068	VTDD00151		NUT M.10	1,00			--
0069	LAFN06275		HOSE ROLL BAR POSTER.CLT160	1,00			--
0070	VTVT15916		SCREW TE M 8X 16 UNI 5739 A2	4,00			--
0071	RCDS34717		BUSHING D. 9X12X 8.3	2,00			--
0072	VTVT00307		SCREW TCEI M10X30	4,00			--
0073	LAFN06819		HOSE AMMORTIZZATORE TERGI	1,00			--
0074	LAFN06818		HOSE MOLLA AMMORTIZZATORE	2,00			--
0075	MLML00290		SPRING AMMORTIZZATORE TERGI	1,00			--
0076	VTAE47053		SCREW TE UNI 5737 6X100 ZB	1,00			--
0077	LAFN06817		HOSE AMMORTIZZATORE	1,00			--
0078	VTVT01549		SCREW TE M10-40	1,00			--
0079	VTVT01314		SCREW TCEI M6 X 12 INOX	1,00			--
0080	ABGO00042		VIBRATION DAMP. SQUEEGEE CASTORS CT160	2,00			--
0081	VTDD21115		NUT M 3 INOX	2,00			--
0082	VTRS21116		WASHER D. 3 INX	4,00			--
0083	VTVT01350		SCREW M3-20 INOX	2,00			--
0084	VTVT00433		SCREW TE M 6X 30 UNI 5739 INX	1,00			--
0085	VTAE14096		SEEGER ESTERNO DIN 471 D.8	1,00			--
0086	MLML00239		SPRING PER RUOTE TERGI P185	2,00			--
0087	CMCV00007		CLIP X FORCELLA UNI 1676 M10	1,00			--
0088	VTRS00250		WASHER D.14	1,00			--



Ref. K	Part n.	Part n. 2	Description	Quantity	Validity		Price
					From	To	
0089	MPVR00011		BUSHING GLYCODUR GLY.PG 10-12-20F	3,00			--
0090	MPVR05638		BUSHING GLYCODUR GLY.PG 10-12-20F	1,00			--
0091	VTVT01198		SCREW TCEI M8X70	2,00		25/11/2018	--
0092	VTDD01695		NUT M 8 INX	2,00			--
0093	VTVT01701		STUD BOLT M8X90	2,00			--
0094	KTRI02079		KIT SQUEEGEE KNOBS CT160-230	1,00			--
0095	CUVR00130		BEARING STRISCIAMENTO	8,00			--
0096	CUVR00265		BEARING 1206-20T MBI	2,00			--
0097	LAFN11395		BUSHING SQUEEGEE	2,00	26/11/2018		--
0098	MLML00502		SPRING SQUEEGEE	2,00	26/11/2018		--
0099	LAFN11394		PIN SQUEEGEE	2,00	26/11/2018		--
0100	VTRS13946		WASHER D. 8 X24 INX UNI 6593	2,00	26/11/2018		--
0101	VTDD01695		NUT M 8 INX	2,00	26/11/2018		--
0102	KTRI05628		KIT NEW SQUEEGEE KNOBS	1,00	26/11/2018		--



Ref. Part n.	Part n. 2	Description	Reference	Price
PMVR01131		BRAKE CLEANTIME 160 COMPLETO	0047 0048 0049 0050 0054 0055 0056 0058 0059	--