

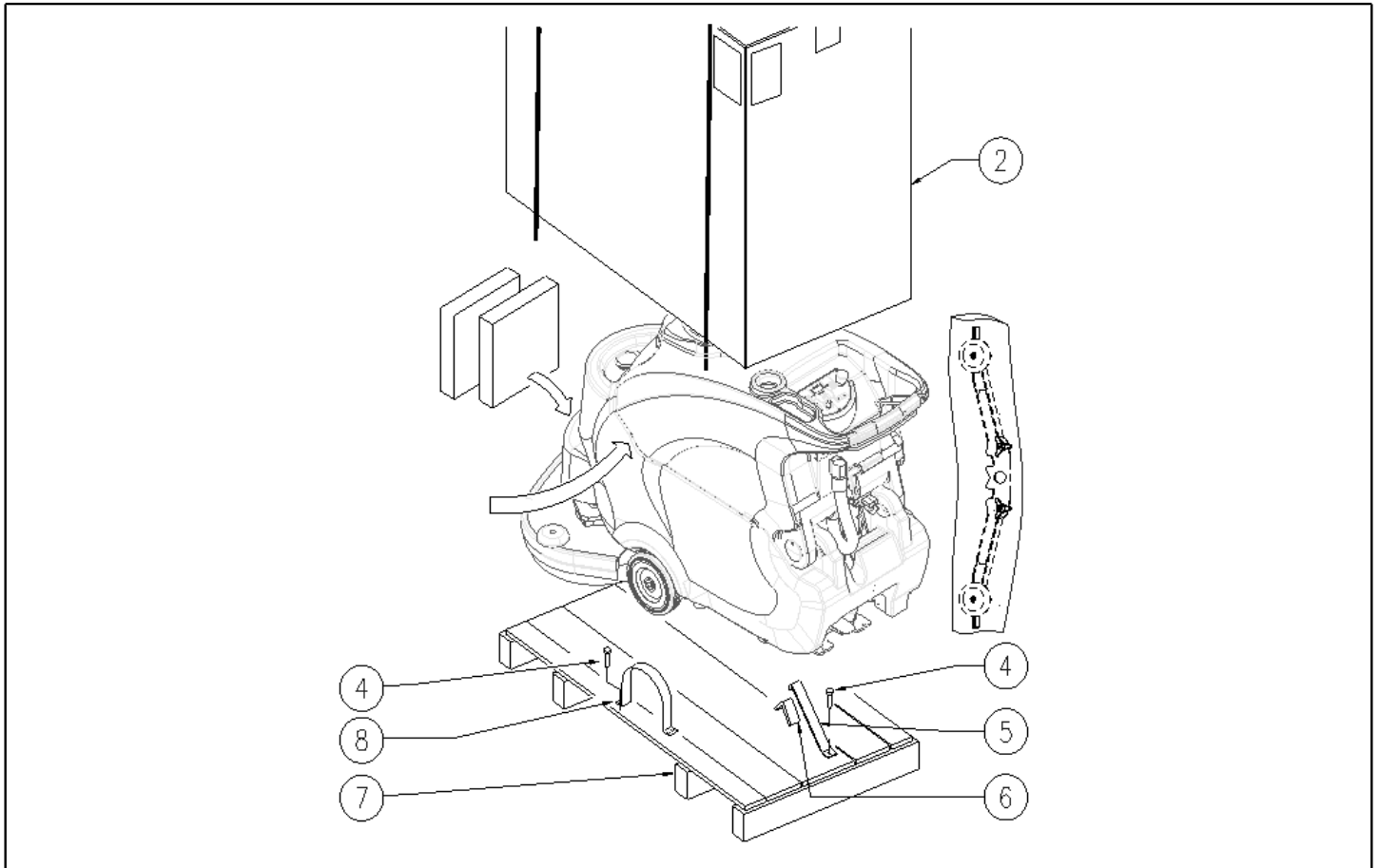


IPC

Spare parts list

Ref: LPTB01422

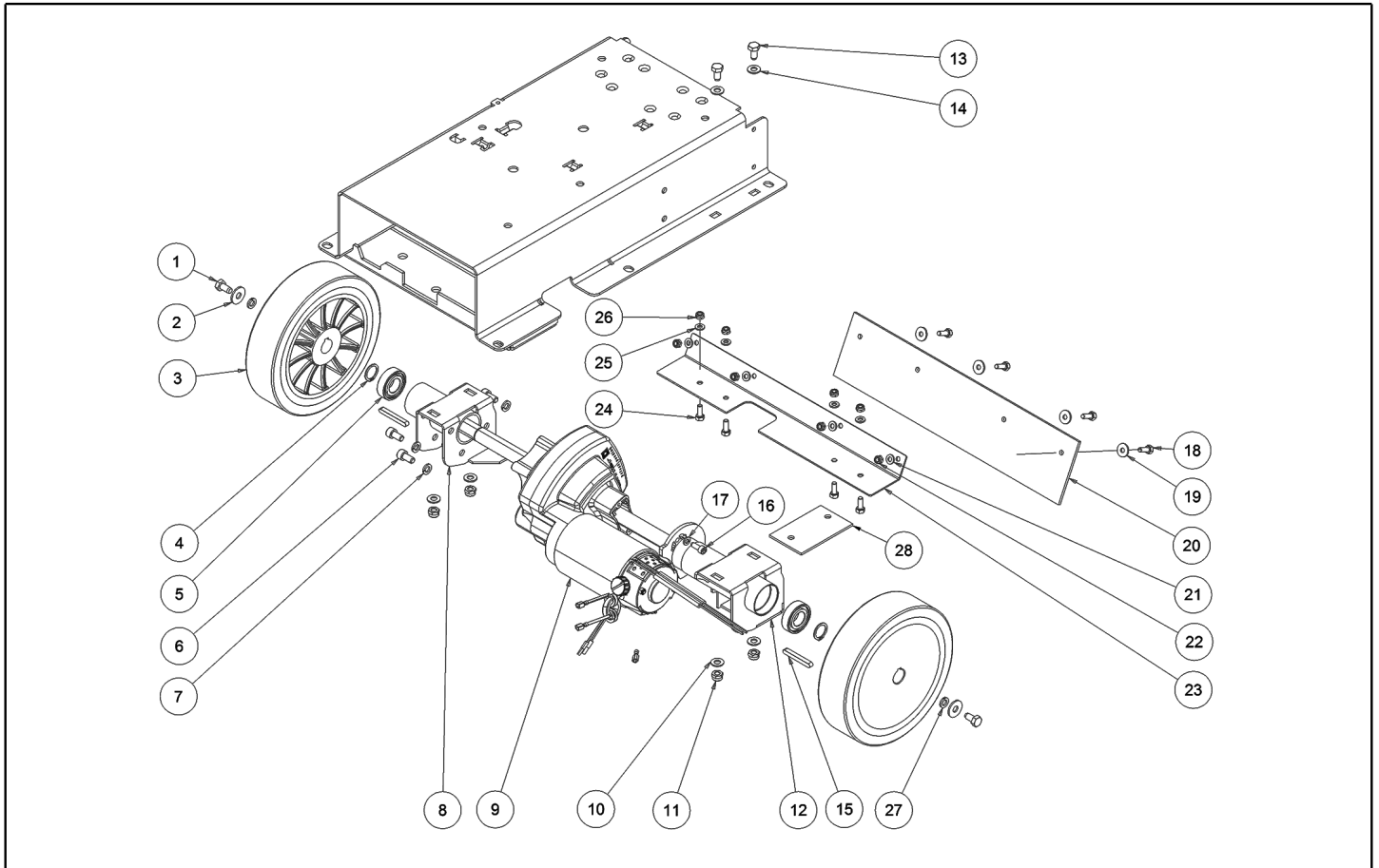
Model: FLOOR WASHER CT90 BT70 GR/VE



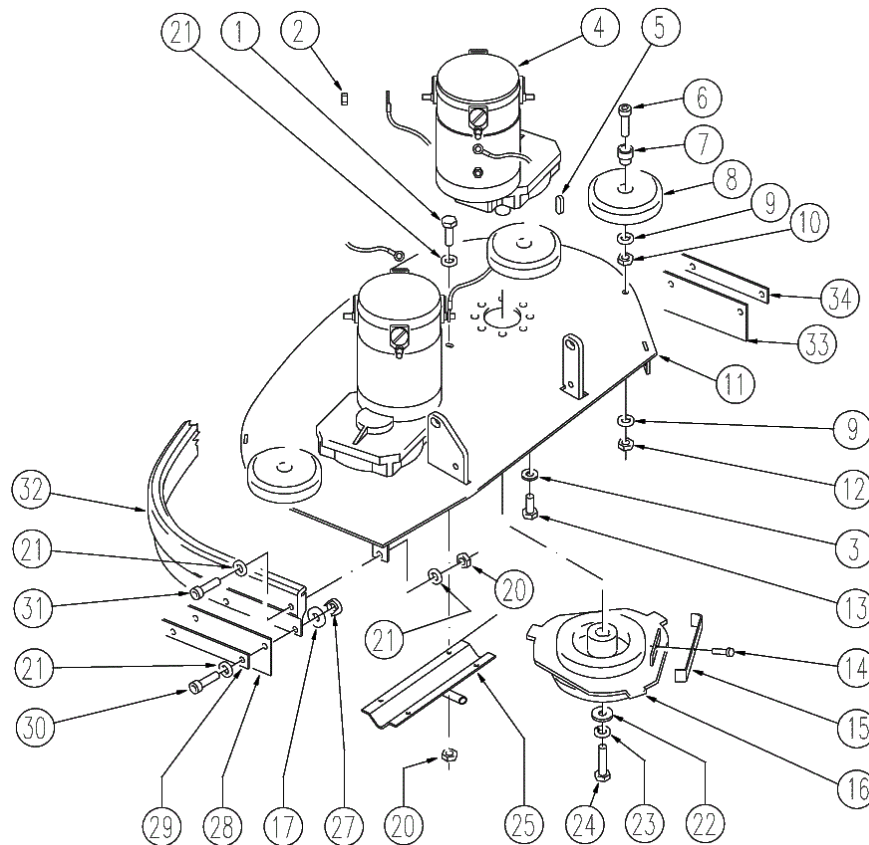
Ref. K	Part n.	Part n. 2	Description	Quantity	Validity		Price
					From	To	
0002	MICT00197		BOX	1,00			--
0004	VTVT00043		SCREW AUTOF.LEGNO 4,5X25 TS BR	9,00			--
0005	MIVR00137		CLAMP RUOTA POSTERIORE X IMBAL.	1,00			--
0006	GUGO00009		MOUSSE	0,05			--
0007	MIBA00011		PALLET	1,00			--
0008	MIVR00135		CLAMP RUOTA POSTERIORE X IMBAL.	2,00			--

Table: TRACTION MOTOR

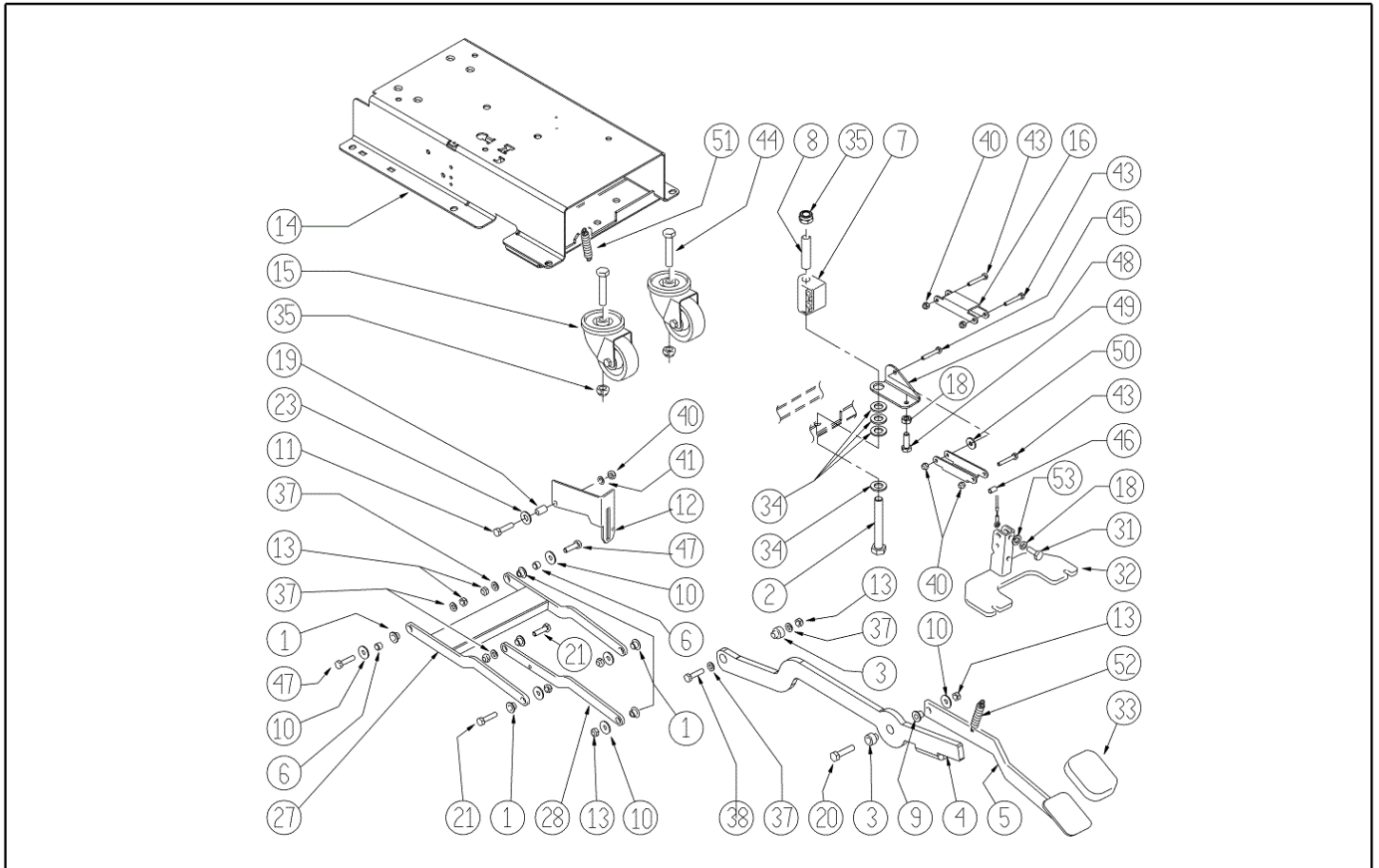
Progressive number: 1



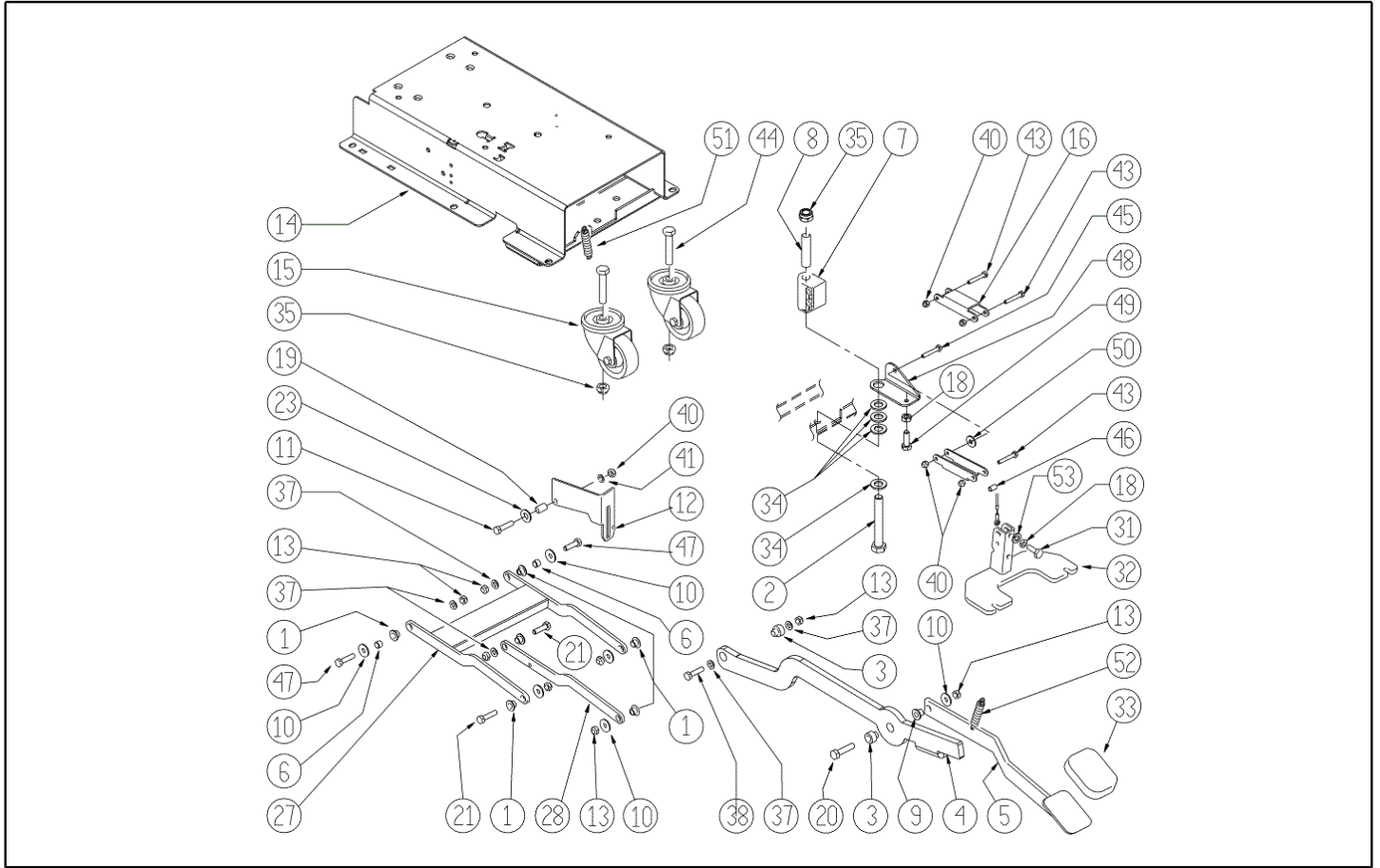
Ref. K	Part n.	Part n. 2	Description	Quantity	Validity		Price
					From	To	
0001	VTVT15916		SCREW TE M 8X 16 UNI 5739 A2	2,00			--
0002	VTRS13946		WASHER D. 8 X24 INX UNI 6593	2,00			--
0003	RTRT00521		WHEEL -	2,00		21/01/2010	--
0003	RTRT00524		WHEEL -	2,00	22/01/2010	17/05/2010	--
0003	RTRT00529		WHEEL D200	2,00	18/05/2010	17/06/2012	--
0003	RTRT00546		WHEEL D.200	2,00	18/06/2012		--
0004	VTAE06193		CIRCLIP D. 20 UNI 7435	2,00			--
0005	CUVR19846		BALL BEARING 6004 2RS1	2,00		25/09/2011	--
0005	CUVR00083		BEARING 6004 2RS H SKF	2,00	26/09/2011	07/04/2013	--
0005	CUVR00190		BEARING 6004 2RS INOX	2,00	08/04/2013		--
0006	VTVT00876		SCREW TCEI M.8-16	3,00			--
0007	VTRS15146		WASHER GROVER A2 UNI1751	3,00			--
0008	LAFN07543		SUPPORT -	1,00		22/03/2011	--
0008	LAFN07811		SUPPORT TRACTION MOTOR LH SIDE	1,00	23/03/2011		--
0009	MOCC00341		MOTOR 24V	1,00		16/12/2010	--
0009	MOCC00395		MOTOR TRACTION 24V 200W 150G	1,00	17/12/2010		--
0010	VTRS13947		WASHER D. 8 INX UNI 6592	4,00			--
0011	VTDD01695		NUT M 8 INX	4,00			--
0012	LAFN07544		SUPPORT -	1,00		22/03/2011	--
0012	LAFN07813		SUPPORT TRACTION MOTOR RH SIDE	1,00	23/03/2011		--
0013	VTVT15916		SCREW TE M 8X 16 UNI 5739 A2	4,00			--
0014	VTRS13947		WASHER D. 8 INX UNI 6592	4,00			--
0015	VTVR33668		KEY 6x 6x40 UNI 6604A	2,00		17/06/2012	--
0015	VTVR00566		KEY 6X10X40 UNI 6604 A (H.10)	2,00	18/06/2012		--
0016	VTVT00717		SCREW TCEI M. 6-16	2,00			--
0017	VTRS15144		WASHER D. 6 INX GRW UNI 1751	2,00			--
0018	VTVT15143		SCREW TE 6X16 UNI5739	4,00	24/07/2012		--
0019	VTRS13945		WASHER D. 6X18 INX UNI 6593	4,00	24/07/2012		--
0020	MPVR06230		FLAP CT40 CT70-90	1,00	24/07/2012	17/03/2014	--
0020	MPVR06966		FLAP -	1,00	18/03/2014		--
0021	VTRS00245		WASHER D.6 UNI 6592 INOX	4,00	24/07/2012		--
0022	VTDD01694		NUT M6 INOX	4,00	24/07/2012		--
0023	LAFN07951		BRACKET CT40-90	1,00	24/07/2012		--
0024	VTVT01531		SCREW TE 6X 16 UNI 5739	4,00	24/07/2012		--
0025	VTRS00245		WASHER D.6 UNI 6592 INOX	4,00	24/07/2012		--
0026	VTDD01694		NUT M6 INOX	4,00	24/07/2012		--
0027	VTRS15146		WASHER GROVER A2 UNI1751	2,00			--
0028	MPVR10764		PROTECTION .	1,00	15/06/2016		--



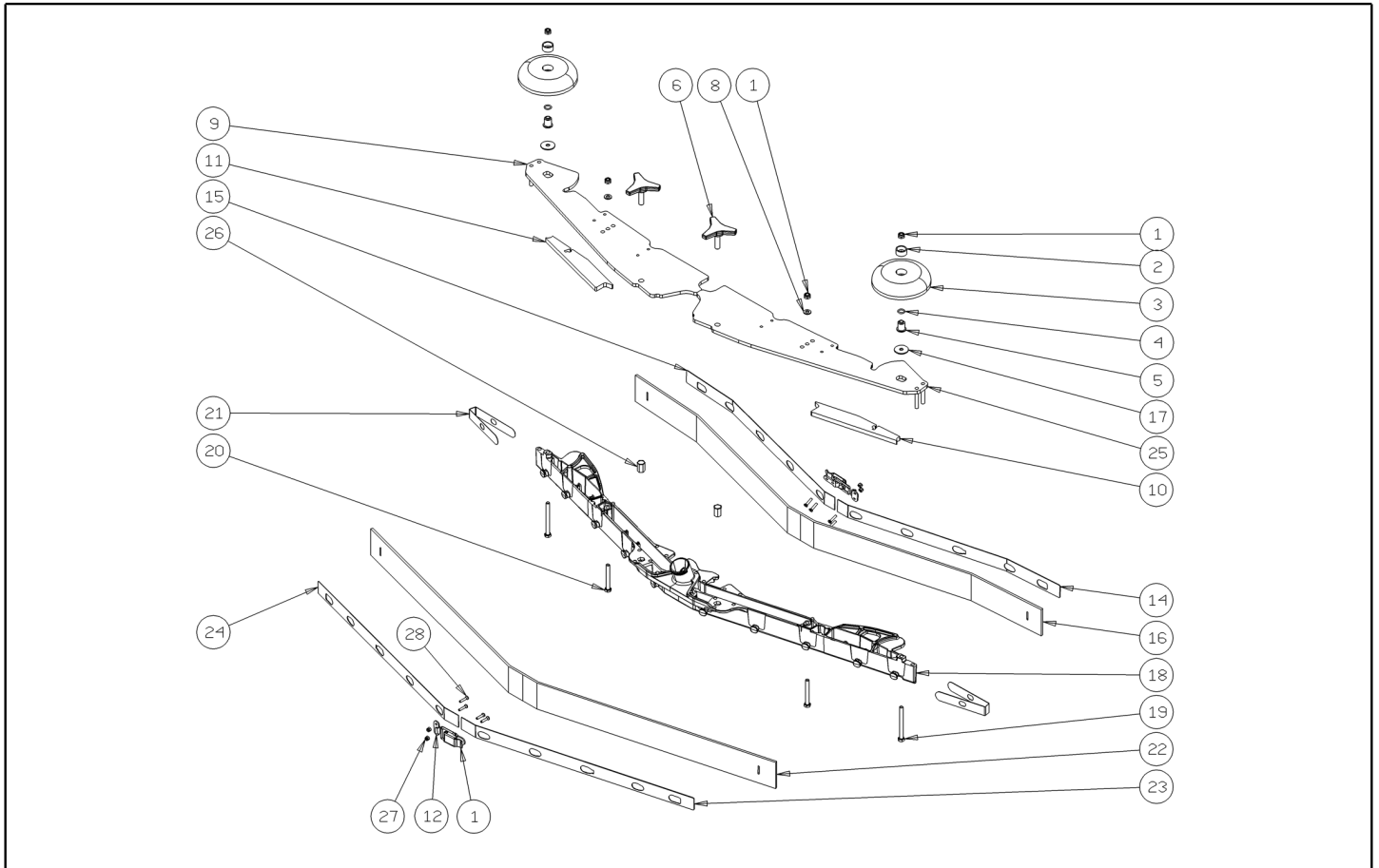
Ref. K	Part n.	Part n. 2	Description	Quantity	Validity		Price
					From	To	
0001	VTVT15143		SCREW TE 6X16 UNI5739	4,00			--
0002	VTDD13942		NUT M 6 UNI 5587 INX	4,00			--
0003	VTRS15144		WASHER D. 6 INX GRW UNI 1751	18,00			--
0004	MOCC00328		MOTOR GEARBOX BRUSH 24V 380W	2,00			--
0004	MOCC00344		CARBON BRUSH 00701535	4,00			--
0005	VTVR21944		KEY 6X6X30	2,00			--
0006	VTVT00775		SCREW TCEI M 8X40 ZC.BK UNI5931	2,00		16/06/2009	--
0006	VTVT06241		SCREW 8X40	3,00	17/06/2009		--
0007	LAFN03915		BUSHING NUOVO RUOTINO STRONG	3,00			--
0008	MPVR05290		ROLLER SIDE BUMPER WHEEL	3,00			--
0009	VTRS13947		WASHER D. 8 INX UNI 6592	6,00			--
0010	VTDD15521		NUT M 8 INX A2 UNI 5588	3,00			--
0011	LAFN06723		PLATE -	1,00		17/03/2013	--
0011	LAFN07949		HEAD 70	1,00	18/03/2013		--
0012	VTDD01695		NUT M 8 INX	3,00			--
0013	VTVT15906		SCREW TE 6X 12 A2 UNI 5739	14,00			--
0014	VTVT21887		SCREW TCB-TC 4X10 8112	2,00			--
0015	MLML00231		SPRING ANTISGANCIO 85 X FLANGIA	2,00		23/05/2012	--
0015	MLML00328		SPRING RETAINING, BRUSH DRIVER	2,00	24/05/2012		--
0016	MFVR00133		FLANGE TRASC. SPAZZOLA	2,00			--
0017	MPVR35582		RUBBER LAV.	8,00			--
0020	VTDD15518		NUT M 6 INX	9,00			--
0021	VTRS13945		WASHER D. 6X18 INX UNI 6593	22,00			--
0022	VTRS13946		WASHER D. 8 X24 INX UNI 6593	2,00			--
0023	VTRS15146		WASHER GROVER A2 UNI1751	2,00			--
0024	VTVT13938		SCREW TE 8X20 UNI5739 INX	2,00			--
0025	LAFN07236		DISTRIBUTOR 70	1,00			--
0027	VTDD00175		NUT M.6 TONDO FILET.4 PUNTE	8,00			--
0028	MPVR04746		FLAP 355X63 sp.4	2,00		17/03/2013	--
0028	MPVR05534		FLAP	1,00	18/03/2013		--
0029	MPVR05207		SHEET METAL PA. FLAP	2,00		17/03/2013	--
0029	MPVR05535		FLAP RETAINER	1,00	18/03/2013		--
0030	VTVT15143		SCREW TE 6X16 UNI5739	8,00			--
0031	VTVT00392		SCREW M6x35 UNI5739 inox	5,00			--
0032	MPVR05232		BUMPER -	1,00		17/03/2013	--
0032	MPVR06224		BUMPER -	1,00	18/03/2013		--
0033	MPVR05270		FLAP DX	1,00	18/03/2013		--
0034	MPVR05269		FLAP RETAINER RH SIDE	1,00	18/03/2013		--



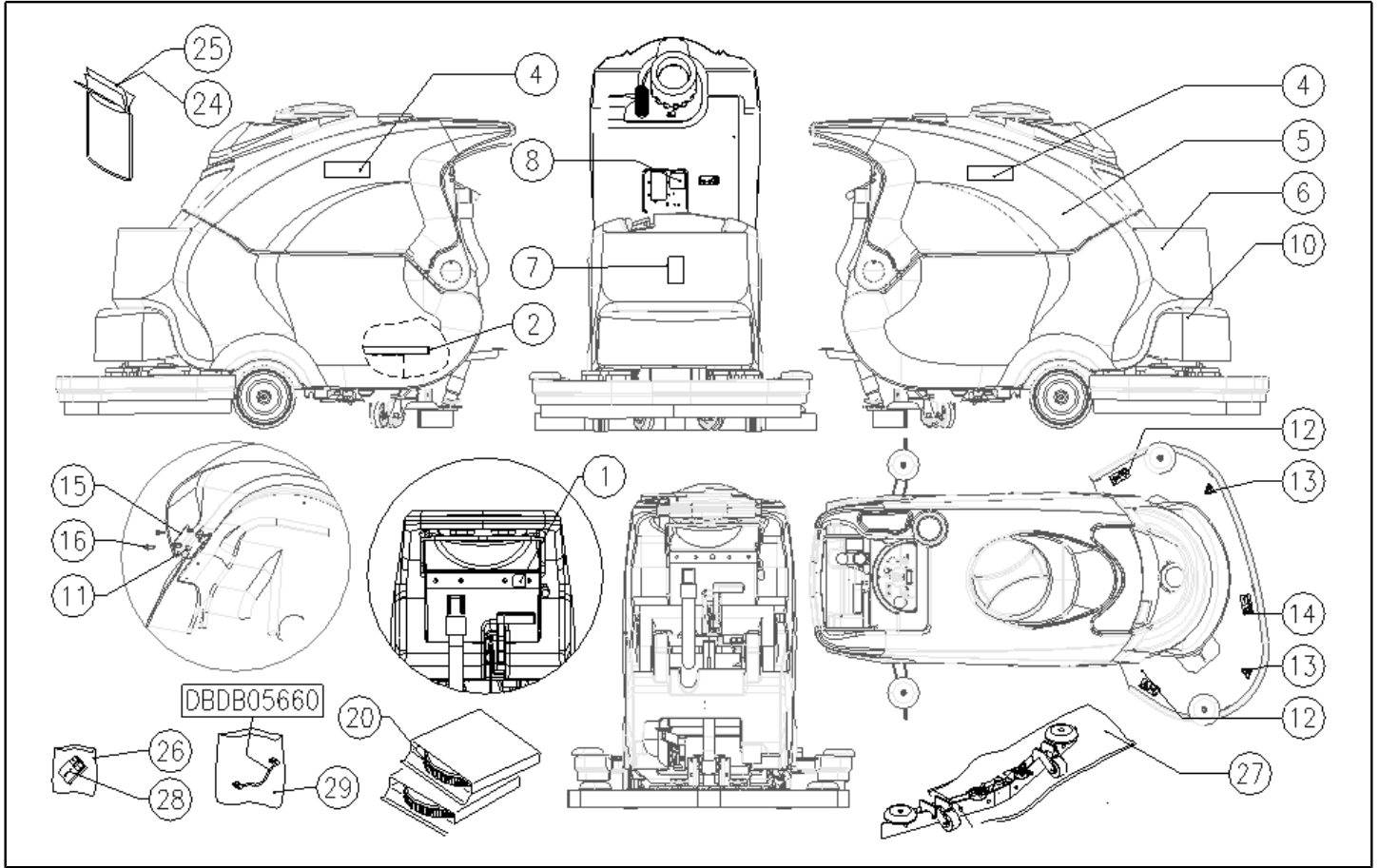
Ref. K	Part n.	Part n. 2	Description	Quantity	Validity		Price
					From	To	
0001	LAFN06391		BUSHING BRUSH DECK SUPPORT	6,00			--
0002	VTVT01686		SCREW TE M12X90	1,00			--
0003	LAFN04190		BUSHING PARALLELOGR.TEST.GR.	2,00			--
0004	LAFN07593		BRACKET LIFTING BRUSH HEAD	1,00			--
0005	LAFN07555		LEVER -	1,00		23/06/2013	--
0005	LAFN09269		LEVER 90	1,00	24/06/2013		--
0006	RCDS34717		BUSHING D. 9X12X 8.3	2,00			--
0007	MPVR04734		BLOCK TERGI	1,00			--
0008	LAFN09006		PIN -	1,00			--
0009	LAFN51068		BUSHING LEVA POSTER.	1,00			--
0010	VTRS13946		WASHER D. 8 X24 INX UNI 6593	6,00			--
0011	VTVT00161		SCREW TE M6X20	1,00		26/02/2019	--
0011	VTVT13939		SCREW TE 6X20 UNI5739 INX	1,00	27/02/2019		--
0012	LAFN10124		PLATE	1,00			--
0013	VTDD01695		NUT M 8 INX	7,00			--
0014	LAFN06422		FRAME -	1,00			--
0015	RTRT00518		WHEEL CASTOR D.80X30	2,00		17/03/2013	--
0015	RTRT00395		WHEEL CASTOR D.80X25 PU	2,00	18/03/2013		--
0016	LAFN05853		LEVER ARM SOLLEVAMENTO TERGI	2,00			--
0018	VTDD15521		NUT M 8 INX A2 UNI 5588	1,00			--
0019	LAFN03840		BUSHING	1,00			--
0020	VTVT15917		SCREW TE M 8X50 INOX A2 UNI	1,00			--
0021	VTVT15907		SCREW TE 8X25 UNI5739 INX	4,00			--
0023	VTRS00274		WASHER NYLON 66 D.8,4-17-2 UNI	1,00			--
0027	LAFN07563		ARM -	1,00			--
0028	LAFN06389		ARM PARALLELOGRAMMA	1,00			--
0031	VTVT00410		SCREW TE M8x35 UNI5739 INOX	1,00			--
0032	LAFN07560		PLATE -	1,00			--
0033	MPVR05186		COVER -	1,00			--
0034	VTRS15978		WASHER D.12X24 UNI 6592 INX	4,00			--
0035	VTDD00176		NUT M.12 INOX A2 BASSO AUTOB.	3,00			--
0037	VTRS13947		WASHER D. 8 INX UNI 6592	4,00			--
0038	VTVT00429		SCREW TE M 8X 40 INX UNI 5737	1,00			--
0040	VTDD01694		NUT M6 INOX	5,00			--
0041	VTRS00245		WASHER D.6 UNI 6592 INOX	1,00			--
0043	VTVT01683		SCREW TE 6X40	4,00			--
0044	VTVT00995		SCREW TE M12X40	2,00			--
0045	VTVT01684		SCREW TE 6X45	1,00			--
0046	LAFN06898		SPACER 6-8 h15	1,00			--
0047	VTVT13937		SCREW TE M 8X 30 INX UNI 5739	2,00			--
0048	LAFN08999		BRACKET -	1,00			--
0049	VTVT13938		SCREW TE 8X20 UNI5739 INX	1,00			--
0050	VTRS13945		WASHER D. 6X18 INX UNI 6593	1,00			--
0051	MLML00303		SPRING L=54,1 D.=9,4	1,00			--



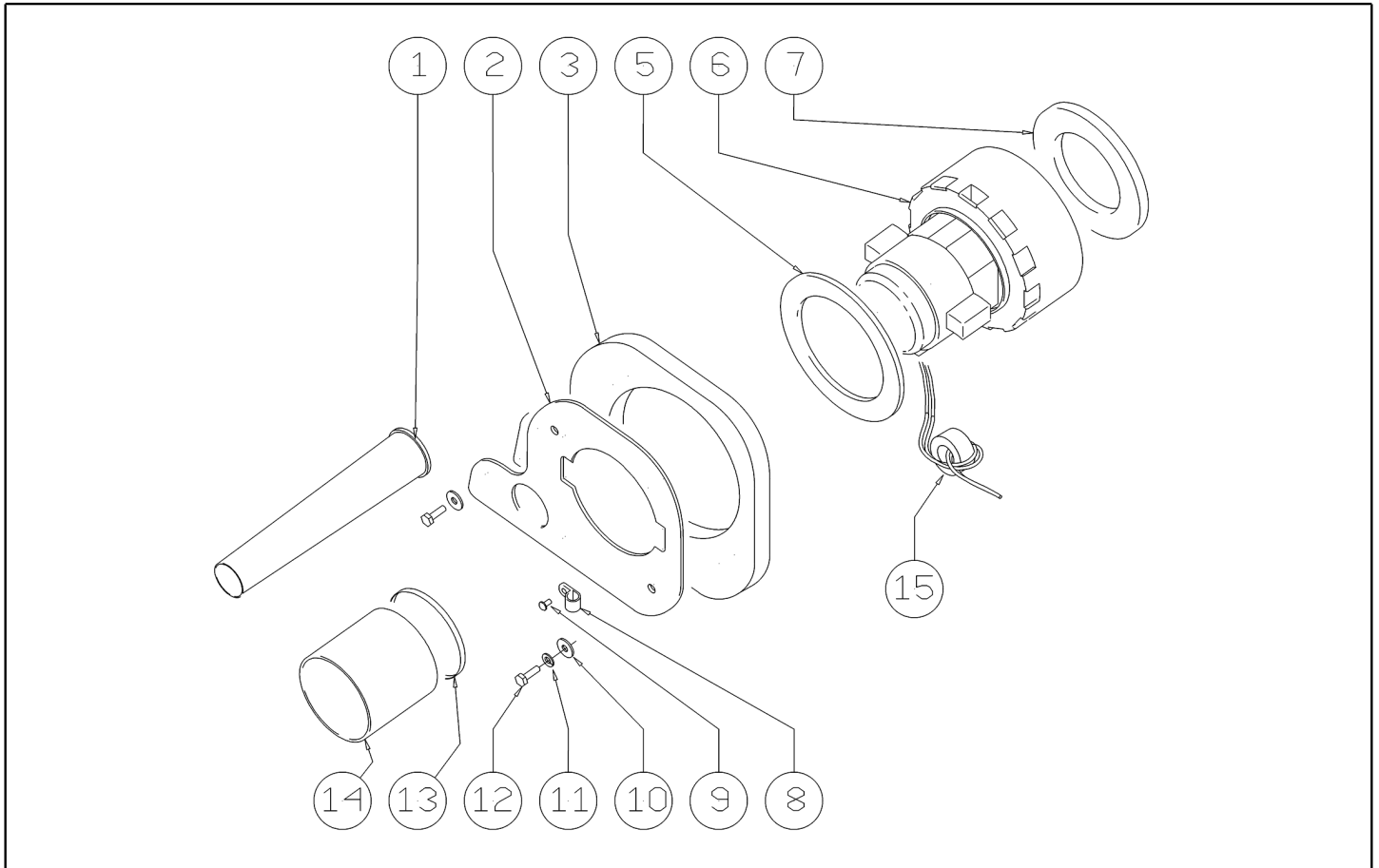
Ref. K	Part n.	Part n. 2	Description	Quantity	Validity		Price
					From	To	
0052	MLML00303		SPRING L=54,1 D.=9,4	1,00			--
0053	VTRS15146		WASHER GROVER A2 UNI1751	1,00	25/03/2013		--



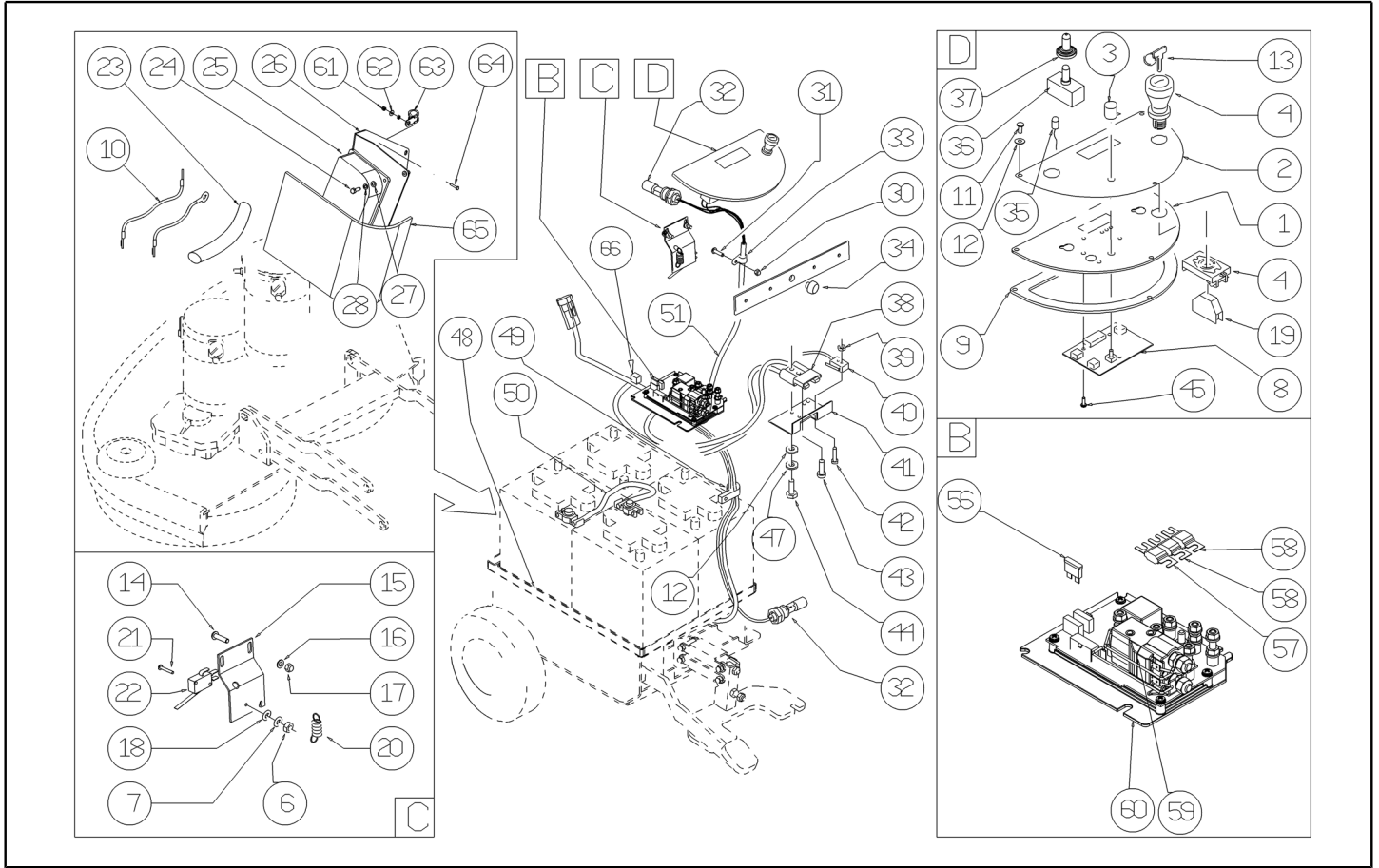
Ref. K	Part n.	Part n. 2	Description	Quantity	Validity		Price
					From	To	
0001	LAFN09302		CLOSURE -	2,00	26/09/2013		--
0002	MPVR49229		BUSHING SHK	2,00			--
0003	MPVR05290		ROLLER SIDE BUMPER WHEEL	2,00			--
0004	GUGO00164		GASKET	2,00			--
0005	LAFN04100		SPACER FOR BUMPER WHEEL	2,00			--
0006	MPVR06003		KNOB AISI 304	2,00		05/03/2013	--
0006	MPVR06004		KNOB SQUEEGEE YELLOW M8X30	2,00	06/03/2013		--
0008	VTRS00245		WASHER D.6 UNI 6592 INOX	2,00			--
0009	LAFN09014		PLATE -	1,00			--
0010	GUVR00303		GASKET -	1,00			--
0011	GUVR00302		GASKET -	1,00			--
0012	LAFN09301		SOCKET -	2,00	26/09/2013		--
0014	LAFN08952		BRACKET -	1,00		25/09/2013	--
0014	LAFN09284		SHEET METAL PA. -	1,00	26/09/2013		--
0015	LAFN08953		BRACKET -	1,00		25/09/2013	--
0015	LAFN09285		BLADE RETAINER FRONT L.H.S. L	1,00	26/09/2013		--
0016	MPVR05804		RUBBER FRONT SQUEEGEE L PU	1,00			--
0017	VTRS16937		WASHER 6x24 INOX UNI 6593	2,00			--
0018	KTRIO2049		BODY SQUEEGEE PRESSOFUSO "L"	1,00			--
0019	VTVT00841		SCREW TE M 6X65 UNI 5739 INX	2,00			--
0020	VTVT15515		SCREW TE M 6X 50 INOX A2	2,00			--
0021	MPVR05898		CLOSURE L	2,00			--
0022	MPVR05806		RUBBER REAR SQUEEGEE L PU	1,00			--
0023	LAFN08954		BRACKET -	1,00		25/09/2013	--
0023	LAFN09286		SHEET METAL PA. -	1,00	26/09/2013		--
0024	LAFN08955		BRACKET -	1,00		25/09/2013	--
0024	LAFN09287		SHEET METAL PA. -	1,00	26/09/2013		--
0025	LAFN09015		PLATE -	1,00			--
0026	VTVR00565		INSERT -	2,00			--
0027	VTDD00210		NUT M 3 AUTOBL.DIN 985 IX.A2	8,00	26/09/2013		--
0028	VTVT01070		SCREW TSTC M3X8	8,00	26/09/2013		--



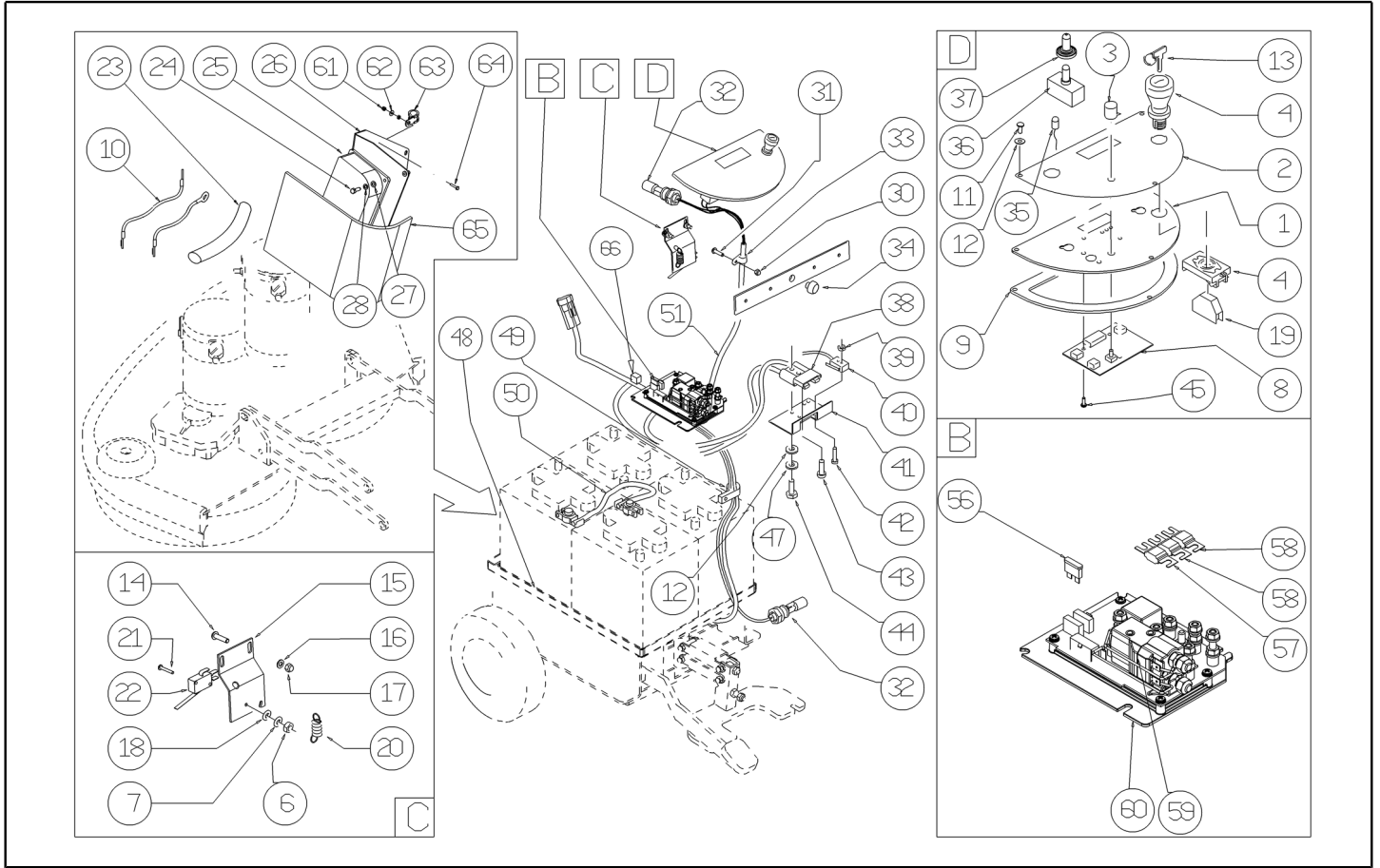
Ref. K	Part n.	Part n. 2	Description	Quantity	Validity		Price
					From	To	
0001	ETET01447		LABEL	1,00			--
0002	MPVR04985		FRONT PANEL	1,00			--
0004	ETET01683		LABEL -	2,00			--
0005	MPVR05845		TANK CT90	1,00			--
0006	MPVR05846		TANK "SOLUTION CT90"	1,00			--
0007	ETET01637		LABEL -	1,00			--
0008	ETET00763		LABEL SIMBOLO FUSIBILI	1,00			--
0010	MPVR04984		FRONT PANEL	1,00			--
0011	VTVT07521		SCREW TCB 5X10	4,00			--
0012	ETET00906		ADHESIVE SIMBOLO PERICOLO DI ABRAS	2,00			--
0013	ETET00897		ADHESIVE SIMBOLO PERICOLO	2,00			--
0014	ETET00898		ADHESIVE SIMBOLO SCHIACCIAMENTO	1,00			--
0015	LAFN07247		BRACKET CT90	2,00			--
0016	VTVT15961		SCREW M 5X 16 TCB TC UNI 7687	4,00			--
0020	SPPV47749		BRUSH NYLON 0.8 D.340 BT 7000	2,00		16/11/2015	--
0020	SPPV01472		BRUSH PPL D.340 APC	2,00	17/11/2015		--
0024	PLDC01602		INSTR.MANUAL 40-70-90	1,00			--
0025	PLDC01450		MANUAL RIC. CLT40	1,00			--
0026	MIVR00072		ENVELOPE PLASTICA TRASP.	1,00			--
0027	MIVR00048		TUBE UNIBOL	1,00			--
0028	MEVR01079		PLUG M CB50 A 600V RD.	1,00			--
0029	MIVR00064		ENVELOPE PORTA CABLAGGI	1,00			--



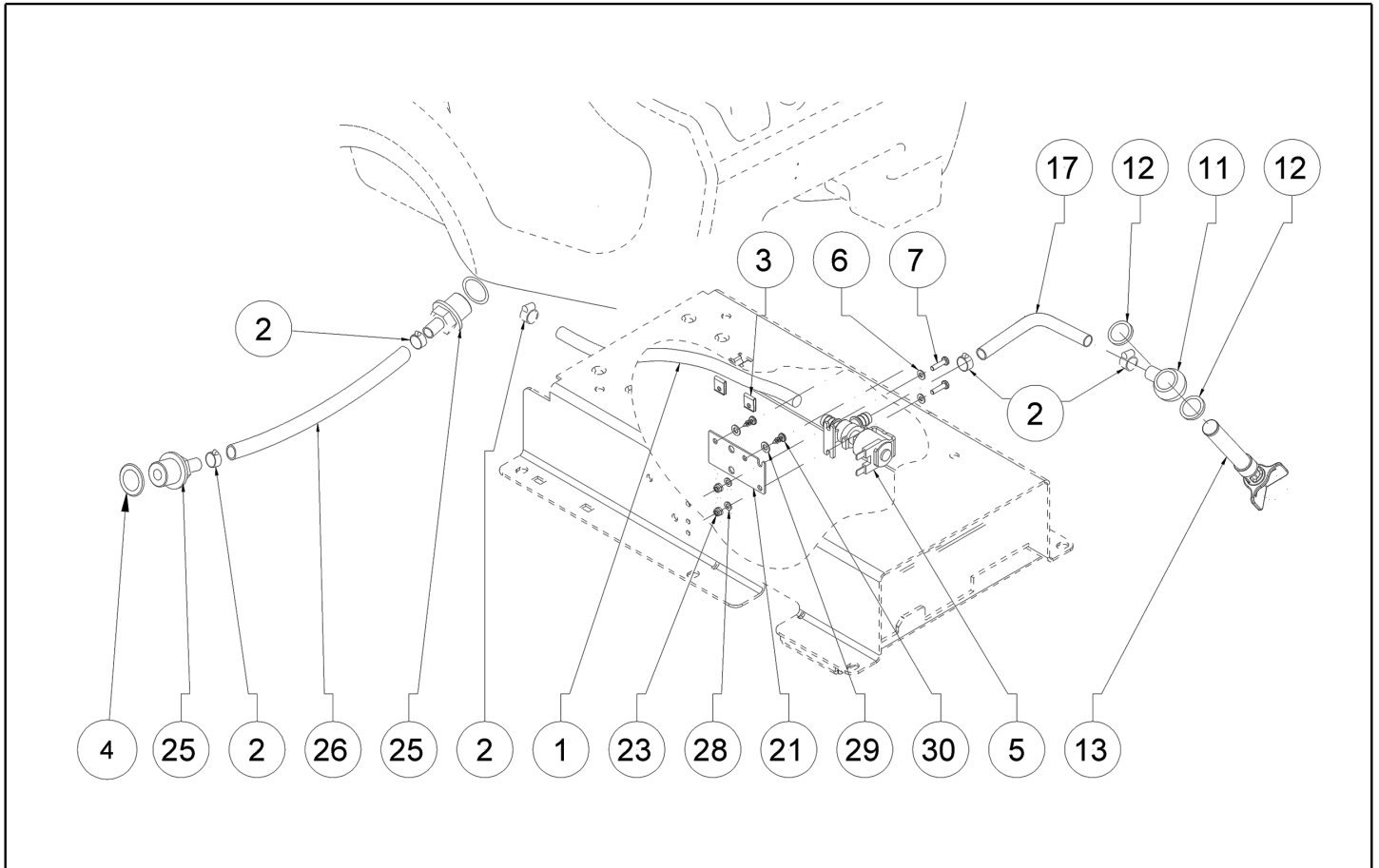
Ref. K	Part n.	Part n. 2	Description	Quantity	Validity		Price
					From	To	
0001	MPVR05259		TUBE SCARICO	1,00			--
0002	LAFN06363		FLANGE ASPIRATORE	1,00			--
0003	MPVR05103		SOUND-PROOFING ASPIRATORE	1,00			--
0005	MPVR04724		FLANGE IN NYLON	1,00			--
0006	MOCC00401		MOTOR -	1,00		23/05/2012	--
0006	MOCC00417		MOTOR VACUUM 24 2-STAGES	1,00	24/05/2012		--
0007	GUGO00272		GASKET VACUUM MOTOR CT	1,00			--
0008	FSVR00099		CLAMP FERMATUBO	1,00			--
0009	VTVT00813		SCREW M 4X 8 TCB-TC UNI 8112	1,00			--
0010	VTRS13945		WASHER D. 6X18 INX UNI 6593	2,00			--
0011	VTRS15144		WASHER D. 6 INX GRW UNI 1751	2,00			--
0012	VTVT15143		SCREW TE 6X16 UNI5739	2,00			--
0013	FSVR00118		CLAMP D.94	1,00			--
0014	TBFX00312		TUBE ASPIRAZIONE	1,00			--
0015	MEVR01964		CLAMP -	1,00			--



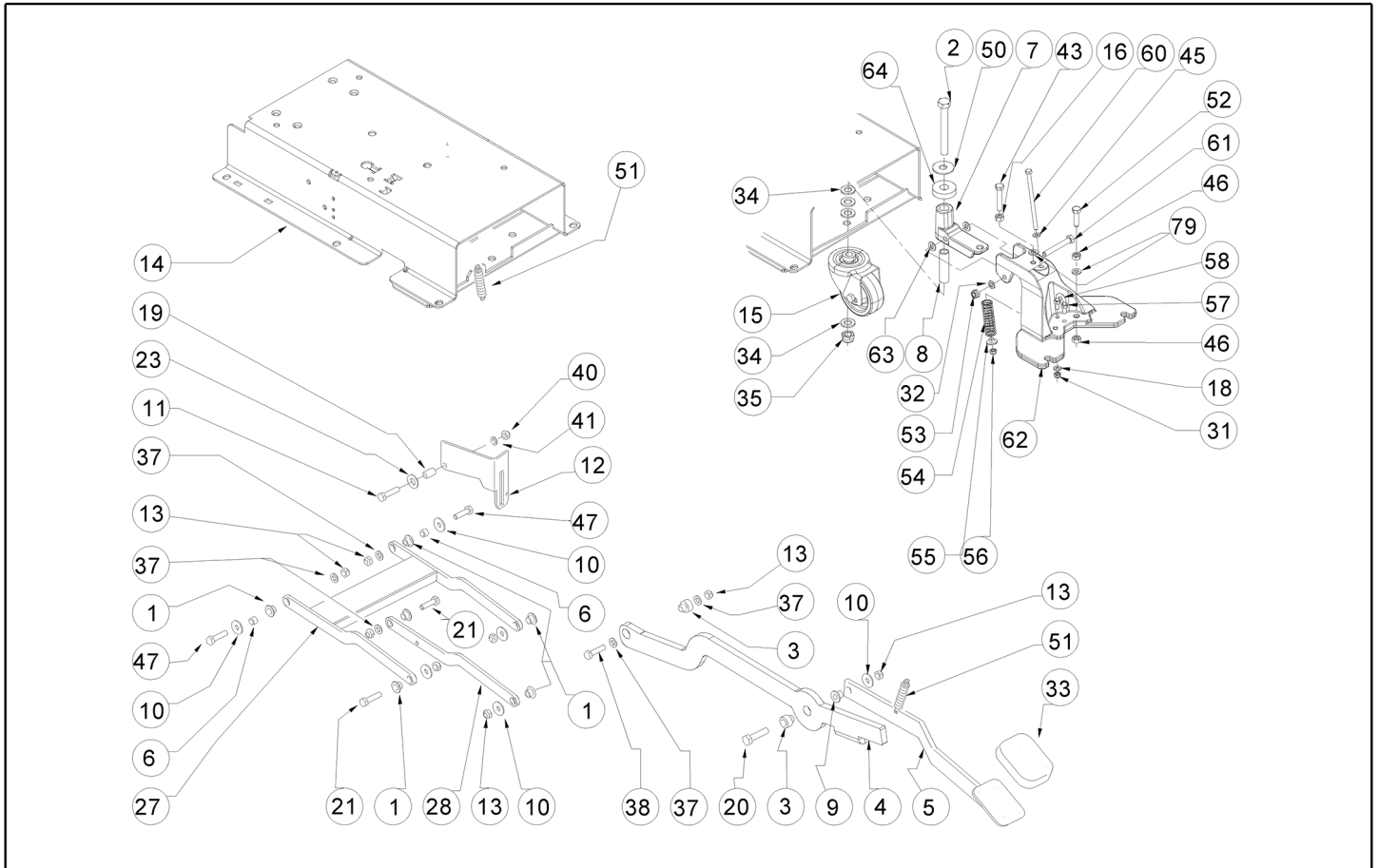
Ref. K	Part n.	Part n. 2	Description	Quantity	Validity		Price
					From	To	
000D	MECB01128		BOARD -	1,00			--
0001	LAFN08989		SUPPORT -	1,00			--
0002	ETET01717		LABEL -	1,00			--
0003	MEVR01666		KNOB POTENTIOMETER	1,00			--
0004	MECI00402		SWITCH KEY + EMERGENCY	1,00			--
0006	VTDD21115		NUT M 3 INOX	2,00			--
0007	VTRS00268		WASHER D.3	2,00			--
0008	MECE00538		BOARD	1,00			--
0009	GUGO38417		GASKET PANN.COM.EXTREME	1,00			--
0011	VTVT37012		SCREW M 4X 10 TCB-TC INX	3,00			--
0012	VTRS00515		WASHER D. 4 INX	3,00			--
0013	CHVR00051		KEYS SET SPARE SCRUBBERS W.B.	1,00			--
0014	VTVT07725		SCREW TE 5X16 UNI5739 INX	2,00			--
0015	LAFN05904		PLATE MICRO LEVA	1,00			--
0016	VTRS00516		WASHER D. 5 INX	2,00			--
0017	VTDD01693		NUT M 5 INX	4,00			--
0018	VTRS21116		WASHER D. 3 INX	1,00			--
0019	MECI00403		CONTACT -	1,00			--
0020	MLML34726		SPRING TR E350 N	1,00			--
0021	VTVT01316		SCREW TC+ M3-16	2,00			--
0022	MECI36393		MICROSWITCH ACTIVATION TRCTN.	1,00			--
0024	VTVT07725		SCREW TE 5X16 UNI5739 INX	2,00			--
0025	MECE00478		BOARD TRACTION CURTIS 24V 70A	1,00			--
0026	LAFN07510		SUPPORT -	1,00			--
0027	VTRS00516		WASHER D. 5 INX	2,00			--
0028	VTRS15908		WASHER D. 5 INX GRW UNI 1751	2,00			--
0030	VTDD15925		NUT M 4 INX+ZN	1,00			--
0031	VTVT00704		SCREW TE M 4X 16 UNI5739 INOX	1,00			--
0032	MECI00516		SENSOR FLOAT WATER TANK	2,00			--
0033	FSVR00099		CLAMP FERMATUBO	1,00			--
0034	MPVR00043		CAP CHIUS.FORO PORTAFUS.L 15	1,00			--
0035	MEVR01974		LED DIAGNOSTIC CURTIS BOARD	1,00			--
0036	MECI30499		SWITCH 10A - 250VAC	1,00			--
0037	MEVR01975		RUBBER DEVIATORE	1,00			--
0038	MEVR01707		CONNECTOR -	1,00			--
0039	VTDD08634		NUT M2	2,00			--
0040	MECI00334		MICROSWITCH CHARGING PLUG	1,00			--
0041	LAFN06409		SUPPORT -	1,00			--
0042	VTVT00671		SCREW TC- M.2-16 OTTONE	2,00			--
0043	VTVT00872		SCREW TSP+ 2.9X13 AUTOFIL. INOX	1,00			--
0044	VTVT00814		SCREW TE M.4-25	2,00			--
0045	VTVT00722		SCREW	3,00			--
0047	VTRS15913		WASHER D. 4 GROVER A2 UNI1751	2,00			--
0048	MPVR04985		FRONT PANEL	1,00			--



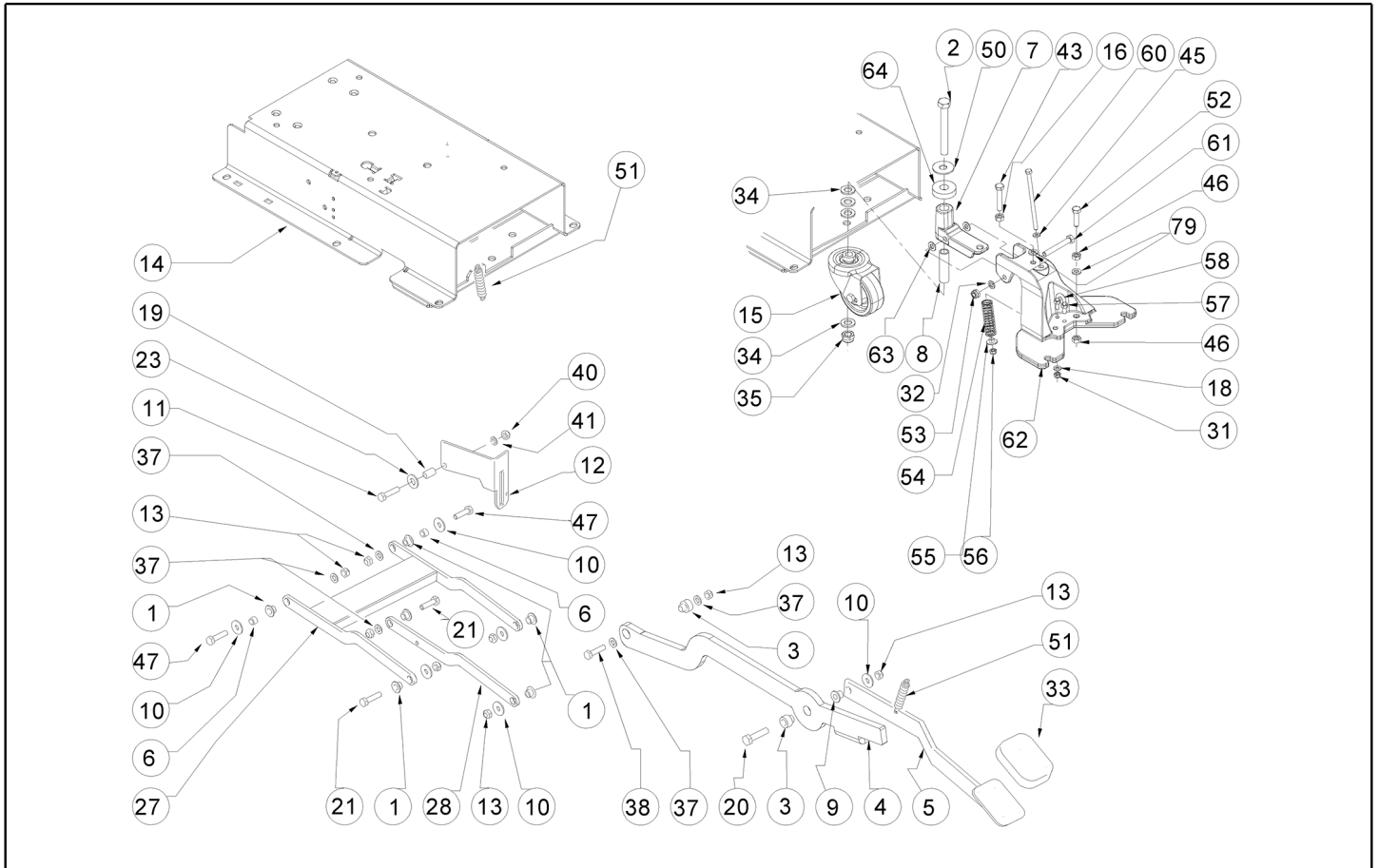
Ref. K	Part n.	Part n. 2	Description	Quantity	Validity		Price
					From	To	
0049	FSVR00244		CLAMP -	1,00			--
0050	MEVR34820		WIRING BATTERY BRIDGE W/TERMINAL	3,00			--
0051	MECB01303		WIRING CT90	1,00			--
0056	MEVR01428		FUSE A LAMA 2 A. UNIVAL	1,00			--
0057	MEVR02061		FUSE 80A	1,00		30/09/2015	--
0057	MEVR02105		FUSE 50A OMEGA FT3050	1,00	01/10/2015		--
0058	MEVR02060		FUSE 40A	2,00			--
0059	METT00085		CONTACTOR 100A	1,00			--
0060	MECE00574		BOARD RELAY CT40-70-90 B-BT	1,00			--
0062	VTRS15144		WASHER D. 6 INX GRW UNI 1751	1,00			--
0063	FSVR00043		CLAMP d.16	1,00			--
0064	VTVT15906		SCREW TE 6X 12 A2 UNI 5739	1,00			--
0065	MPVR06067		PROTECTION -	1,00			--
0066	GUGO00463		MOUSSE 25x15x18	1,00	26/05/2015		--



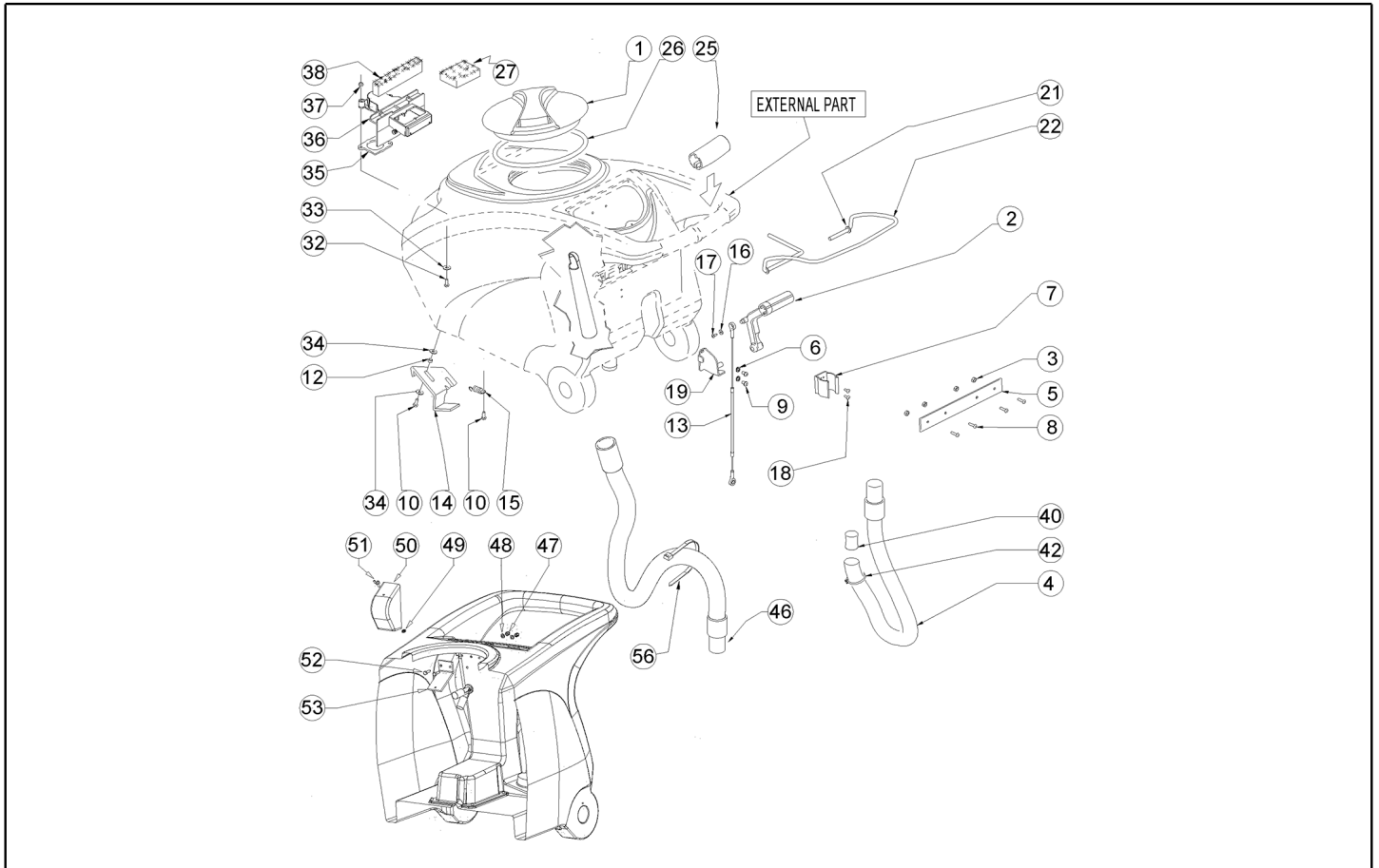
Ref. K	Part n.	Part n. 2	Description	Quantity	Validity		Price
					From	To	
0001	TBFX00308		TUBE L=580MM	1,00			--
0002	FSVR00428		CLAMP D. 12-20	5,00			--
0003	MLML00002		SPRING PRESTOLA DOPPIA 8P	2,00			--
0004	GUGO00462		GASKET OR 21,2X3	2,00	22/03/2017		--
0005	MEEV00036		SOLENOID VALVE HOLE 8mm CLEAN TIME	1,00			--
0006	VTRS00017		WASHER STEEL INOX 4X12	2,00			--
0007	VTVT21096		SCREW TE M 4X 10 INX	2,00			--
0011	LAFN07783		CONNECTOR -	1,00			--
0012	VTRS00567		WASHER 1/2	2,00			--
0013	MPVR05221		FILTER COMPLETO	1,00		14/02/2013	--
0013	MPVR06303		FILTER CT40-70-90	1,00	15/02/2013		--
0017	TBFX48011		HOSE FLEX D.12X3 ARMORV.PVC TR	0,06			--
0021	LAFN08843		PLATE -	1,00			--
0023	VTDD00055		NUT M 4 ATB A2	2,00			--
0025	RCVR00742		CONNECTOR 3/4" M	2,00			--
0026	TBBP00343		TUBE L=370	1,00			--
0028	VTRS00017		WASHER STEEL INOX 4X12	2,00			--
0029	VTRS00516		WASHER D. 5 INX	2,00			--
0030	VTVT48694		SCREW TCB TC 5 X12 UNI 9707 TZ	2,00			--



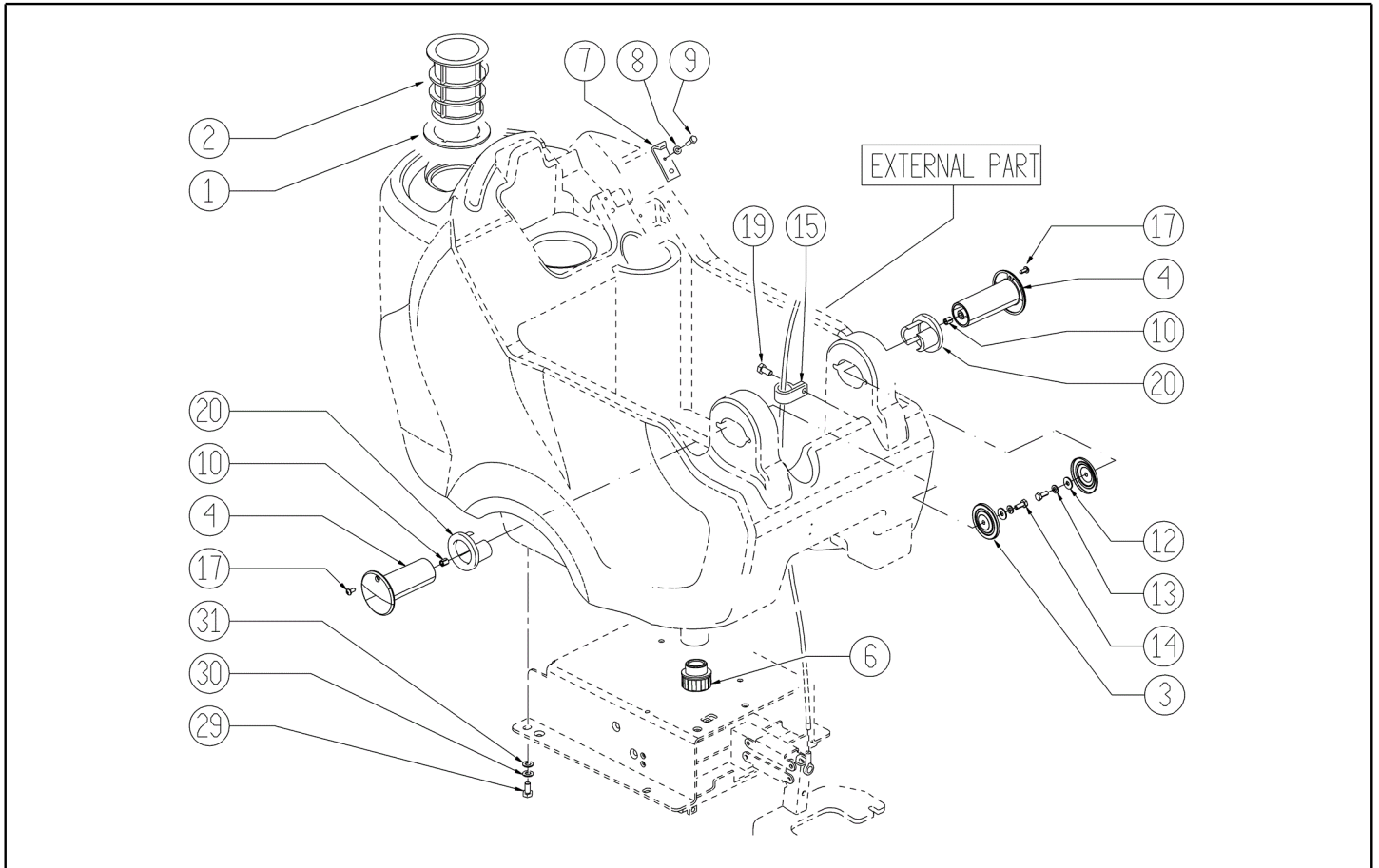
Ref. K	Part n.	Part n. 2	Description	Quantity	Validity		Price
					From	To	
0001	LAFN06391		BUSHING BRUSH DECK SUPPORT	6,00			--
0002	VTVT24212		SCREW TE M 12X100 UNI 5737 INOX	1,00			--
0003	LAFN04190		BUSHING PARALLELOGR.TEST.GR.	2,00			--
0004	LAFN07593		BRACKET LIFTING BRUSH HEAD	1,00			--
0005	LAFN09269		LEVER 90	1,00			--
0006	RCDS34717		BUSHING D. 9X12X 8.3	2,00			--
0007	MFVR00226		SUPPORT SQUEEGEE	1,00			--
0008	LAFN09006		PIN -	1,00			--
0009	LAFN51068		BUSHING LEVA POSTER.	1,00			--
0010	VTRS13946		WASHER D. 8 X24 INX UNI 6593	6,00			--
0011	VTVT00161		SCREW TE M6X20	1,00		26/02/2019	--
0011	VTVT13939		SCREW TE 6X20 UNI5739 INX	1,00	27/02/2019		--
0012	LAFN10124		PLATE	1,00			--
0013	VTDD01695		NUT M 8 INX	7,00			--
0014	LAFN06422		FRAME -	1,00			--
0015	RTRT00395		WHEEL CASTOR D.80X25 PU	2,00			--
0016	VTDD15521		NUT M 8 INX A2 UNI 5588	1,00			--
0018	VTRS00245		WASHER D.6 UNI 6592 INOX	1,00			--
0019	LAFN03840		BUSHING	1,00			--
0020	VTVT15917		SCREW TE M 8X50 INOX A2 UNI	1,00			--
0021	VTVT15907		SCREW TE 8X25 UNI5739 INX	4,00			--
0023	VTRS00274		WASHER NYLON 66 D.8,4-17-2 UNI	1,00			--
0027	LAFN07563		ARM -	1,00			--
0028	LAFN06389		ARM PARALLELOGRAMMA	1,00			--
0031	VTDD01694		NUT M6 INOX	1,00			--
0032	VTRS13947		WASHER D. 8 INX UNI 6592	1,00			--
0033	MPVR05186		COVER -	1,00			--
0034	VTRS15978		WASHER D.12X24 UNI 6592 INX	4,00			--
0035	VTDD00176		NUT M.12 INOX A2 BASSO AUTOB.	3,00			--
0037	VTRS13947		WASHER D. 8 INX UNI 6592	4,00			--
0038	VTVT00429		SCREW TE M 8X 40 INX UNI 5737	1,00			--
0040	VTDD01694		NUT M6 INOX	5,00			--
0041	VTRS00245		WASHER D.6 UNI 6592 INOX	1,00			--
0043	VTVT15371		SCREW TE M 8X45 INOX A2 UNI	1,00			--
0045	VTRS00245		WASHER D.6 UNI 6592 INOX	1,00			--
0046	VTDD15521		NUT M 8 INX A2 UNI 5588	1,00			--
0047	VTVT13937		SCREW TE M 8X 30 INX UNI 5739	2,00			--
0050	VTRS09142		WASHER UNI 6593 12X36X2,5	1,00			--
0051	MLML00303		SPRING L=54,1 D.=9,4	2,00			--
0052	VTVT13937		SCREW TE M 8X 30 INX UNI 5739	1,00			--
0053	VTDD01695		NUT M 8 INX	1,00			--
0054	MLML00338		SPRING INOX L98 DE18 DI14	1,00			--
0055	VTRS13945		WASHER D. 6X18 INX UNI 6593	1,00		27/03/2018	--
0055	LAFN06391		BUSHING BRUSH DECK SUPPORT	1,00	28/03/2018		--



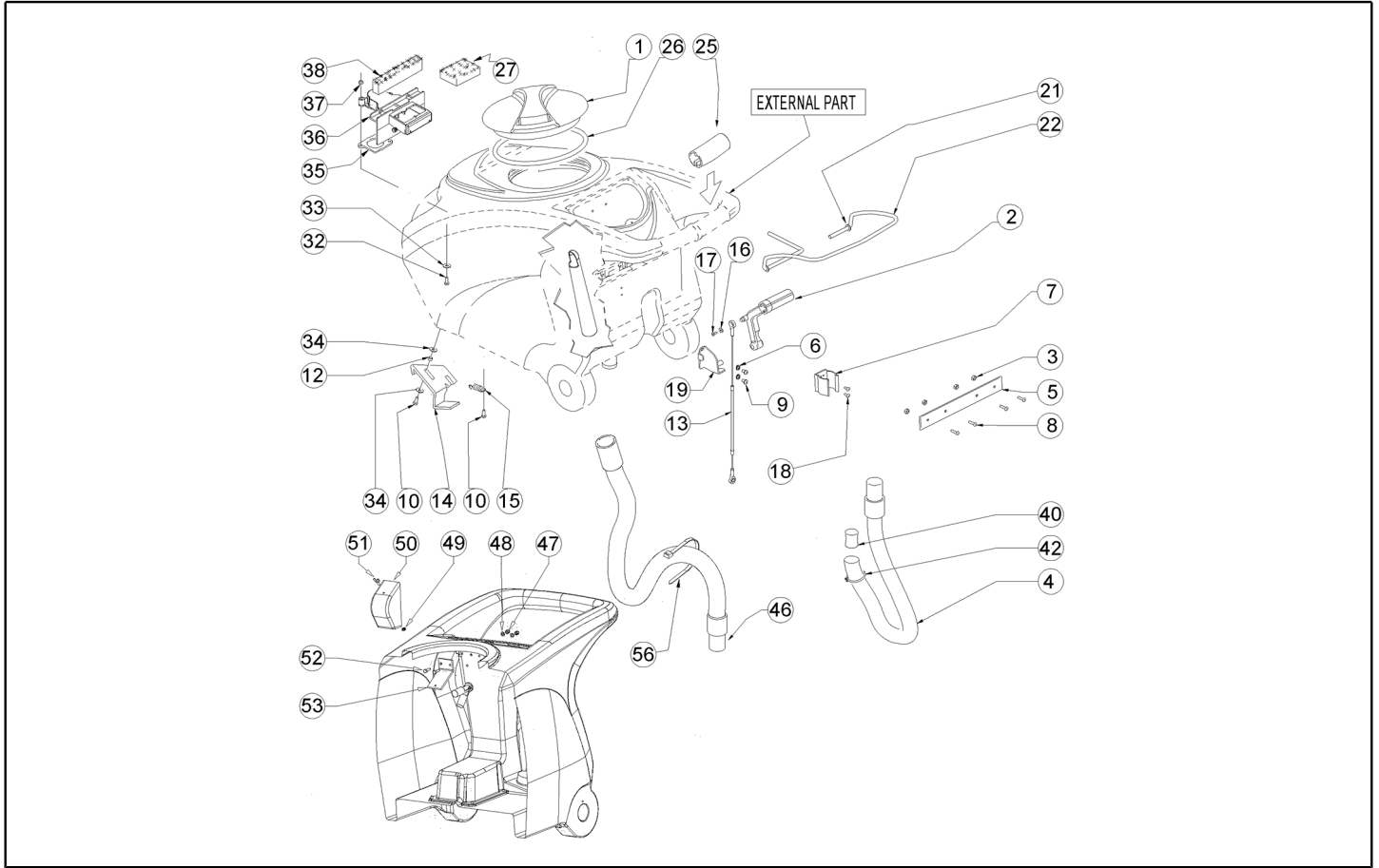
Ref. K	Part n.	Part n. 2	Description	Quantity	Validity		Price
					From	To	
0056	VTDD01694		NUT M6 INOX	1,00			--
0057	VTDD00053		NUT M6 INOX UNI5589	1,00			--
0058	LAFN09231		BRACKET M6X11X29	1,00			--
0060	VTVT01008		SCREW 6X110	1,00			--
0061	VTVT01009		SCREW 8X60	1,00			--
0062	MFVR00227		SUPPORT SQUEEGEE	1,00			--
0063	VTRS00274		WASHER NYLON 66 D.8,4-17-2 UNI	1,00			--
0064	MPVR06069		WASHER 15X40	1,00			--
0079	VTRS15146		WASHER GROVER A2 UNI1751	2,00			--



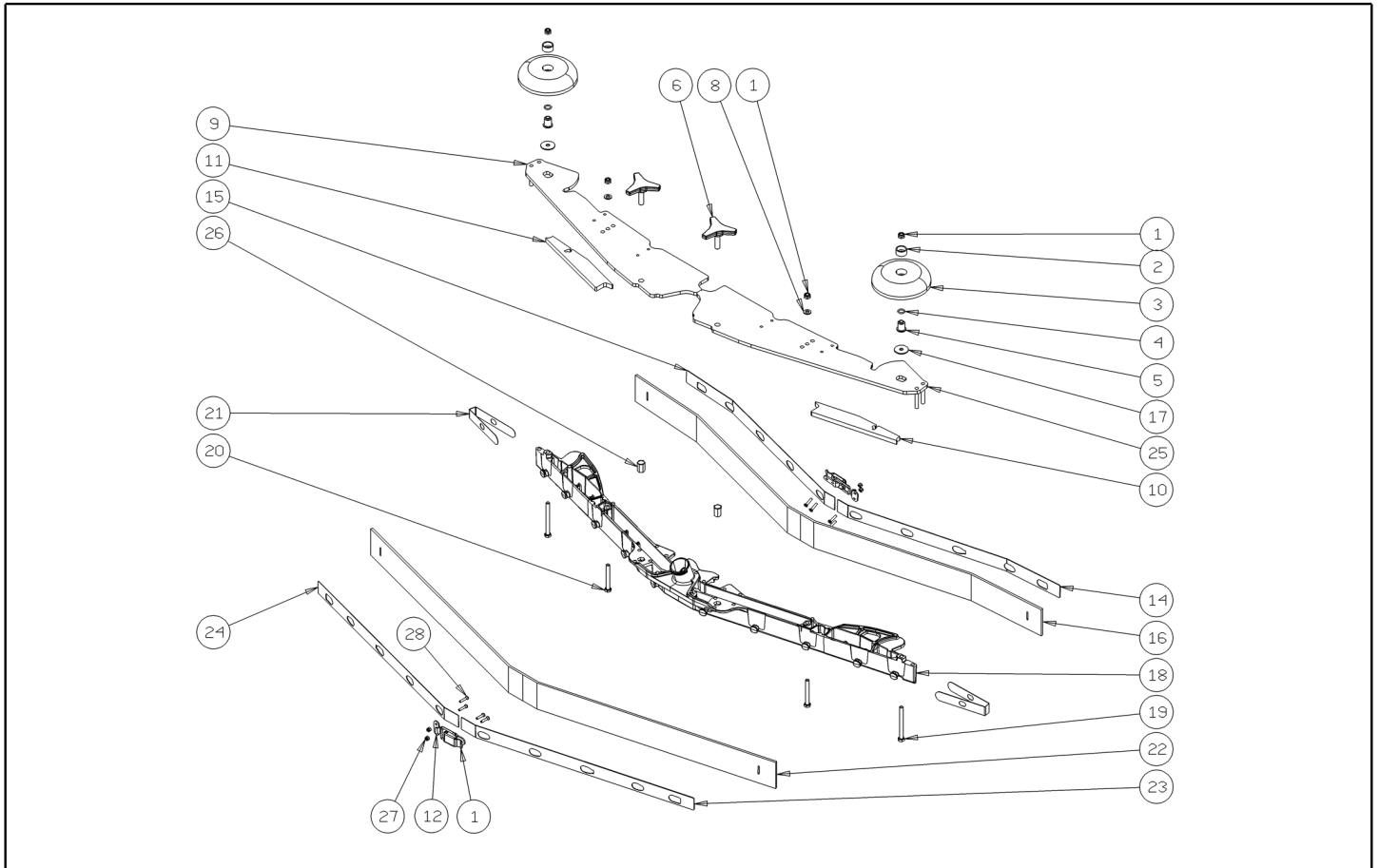
Ref. K	Part n.	Part n. 2	Description	Quantity	Validity		Price
					From	To	
0001	MPVR04051		TANK CAP	1,00			--
0002	MPVR49942		LEVER SQUEEGEE LIFTING PP	1,00			--
0003	VTDD15518		NUT M 6 INX	4,00			--
0004	TBFX00358		TUBE PU CT40/70/90	1,00			--
0005	LAFN05865		PLATE COPRILEVA CONSENSO	1,00			--
0007	MPVR46988		CLIP FIXATION DRAIN HOSE	1,00			--
0008	VTVT00651		SCREW TBEI M 5x16 ISO 7380 IX	4,00			--
0009	VTVT15906		SCREW TE 6X 12 A2 UNI 5739	2,00			--
0010	VTVT15143		SCREW TE 6X16 UNI5739	3,00			--
0012	LAFN03626		SPACER	2,00			--
0013	CMCV00464		CABLE SOLLEVAMENTO TERGI	1,00			--
0014	LAFN06849		HANDLE CT 70	1,00			--
0015	MLML00203		SPRING	1,00			--
0016	VTRS00251		WASHER 4-16 INOX A2	1,00			--
0017	VTVT00800		SCREW TC 4X12 ZN	1,00			--
0018	VTVT21096		SCREW TE M 4X 10 INX	2,00			--
0019	LAFN05870		BRACKET SQUEEGEE LIFTING	1,00			--
0021	VTRS13947		WASHER D. 8 INX UNI 6592	2,00			--
0022	LAFN05861		LEVER CONSENSO SPAZZOLE	1,00			--
0025	MPVR05215		KNOB -	2,00			--
0026	GUGO00263		GASKET SEAL CAP REC. TANK	1,00			--
0027	FTDP00133		FILTER VACUUM MOTOR	1,00			--
0032	VTVT01139		SCREW TE M.4-25	2,00			--
0033	VTRS00515		WASHER D. 4 INX	2,00			--
0034	VTRS00274		WASHER NYLON 66 D.8,4-17-2 UNI	4,00			--
0035	GUGO00417		GASKET SCATOLA ASPIRAZIONE	1,00			--
0036	MPVR05482		BOX -	1,00			--
0037	VTDD15925		NUT M 4 INX+ZN	2,00			--
0038	GUGO00418		GASKET CONDOTTO ASPIRAZIONE	1,00			--
0040	GUGO00245		GASKET	1,00			--
0042	FSVR43136		CLAMP D. 35-40 DF.	1,00			--
0046	KTRI04696		KIT REPLACEMENT TBFX00353	1,00			--
0047	VTDD01693		NUT M 5 INX	2,00			--
0048	VTRS00516		WASHER D. 5 INX	2,00			--
0049	VTVR01038		WASHER -	1,00			--
0050	MPVR05596		PROTECTION -	1,00			--
0051	VTVT01150		SCREW 4x10	1,00			--
0052	VTVT07725		SCREW TE 5X16 UNI5739 INX	2,00			--
0053	LAFN07631		BRACKET -	1,00			--
0056	FSVR00248		CLAMP -	1,00			--



Ref. K	Part n.	Part n. 2	Description	Quantity	Validity		Price
					From	To	
0001	GUGO00267		GASKET SOLUTION TANK FILTER	1,00			--
0002	FTAC00040		FILTER -	1,00			--
0003	LAFN07800		SHEET METAL PA. -	2,00			--
0004	MPVR48695		PIN SHK.BK	2,00		10/09/2014	--
0004	MPVR06407		PIN -	2,00	11/09/2014		--
0006	MPVR08003		CAP	1,00		13/12/2016	--
0006	MPVR10774		CAP 1/2"	1,00	14/12/2016		--
0007	LAFN06489		PLATE	1,00			--
0008	VTRS15144		WASHER D. 6 INX GRW UNI 1751	1,00			--
0009	VTVT01303		SCREW TE M6-10 INOX	1,00			--
0010	VTVR48693		INSERT FILETTATO M6	2,00			--
0012	VTRS13945		WASHER D. 6X18 INX UNI 6593	2,00			--
0013	VTRS15144		WASHER D. 6 INX GRW UNI 1751	2,00			--
0014	VTVT15143		SCREW TE 6X16 UNI5739	2,00			--
0015	MPVR02933		DUCT LOCK D.9,5	2,00			--
0017	VTVT48694		SCREW TCB TC 5 X12 UNI 9707 TZ	2,00		10/09/2014	--
0019	VTVT15961		SCREW M 5X 16 TCB TC UNI 7687	1,00			--
0020	PMVR02028		RUBBER GRUPPO MONTAGGIO	2,00			--
0029	VTVT15916		SCREW TE M 8X 16 UNI 5739 A2	4,00			--
0030	VTRS00269		WASHER D. 8 DIN 6798-A INX A2	4,00			--
0031	VTRS13947		WASHER D. 8 INX UNI 6592	4,00			--



Ref. K	Part n.	Part n. 2	Description	Quantity	Validity		Price
					From	To	
0001	MPVR04051		TANK CAP	1,00			--
0002	MPVR49942		LEVER SQUEEGEE LIFTING PP	1,00			--
0003	VTDD15518		NUT M 6 INX	4,00			--
0004	TBFX00348		TUBE CT40-70-90 HOSE DRAIN	1,00		10/04/2013	--
0004	TBFX00358		TUBE PU CT40/70/90	1,00	11/04/2013		--
0005	LAFN05865		PLATE COPRILEVA CONSENSO	1,00			--
0006	VTRS13750		WASHER D. 5X14 INX	2,00			--
0007	MPVR46988		CLIP FIXATION DRAIN HOSE	1,00			--
0008	VTVT00651		SCREW TBEI M 5x16 ISO 7380 IX	4,00			--
0009	VTVT15906		SCREW TE 6X 12 A2 UNI 5739	2,00			--
0010	VTVT15143		SCREW TE 6X16 UNI5739	3,00			--
0012	LAFN03626		SPACER	2,00			--
0013	CMCV00361		CABLE CABLE LIFTING SQUEEGEE HD	1,00			--
0014	LAFN06849		HANDLE CT 70	1,00			--
0015	MLML00203		SPRING	1,00			--
0016	VTRS00251		WASHER 4-16 INOX A2	1,00			--
0017	VTVT00800		SCREW TC 4X12 ZN	1,00			--
0018	VTVT21096		SCREW TE M 4X 10 INX	2,00			--
0019	LAFN05870		BRACKET SQUEEGEE LIFTING	1,00		06/09/2016	--
0019	LAFN11019		BRACKET -	1,00	07/09/2016		--
0021	VTRS13947		WASHER D. 8 INX UNI 6592	2,00			--
0022	LAFN05861		LEVER CONSENSO SPAZZOLE	1,00		12/06/2014	--
0022	LAFN09339		LEVER HANDLE ACTIVATION	1,00	13/06/2014		--
0025	MPVR05215		KNOB -	2,00			--
0026	GUGO00263		GASKET SEAL CAP REC. TANK	1,00			--
0027	FTDP00133		FILTER VACUUM MOTOR	1,00			--
0032	VTVT01139		SCREW TE M.4-25	2,00			--
0033	VTRS00515		WASHER D. 4 INX	2,00			--
0034	VTRS00274		WASHER NYLON 66 D.8,4-17-2 UNI	4,00			--
0035	GUGO00417		GASKET SCATOLA ASPIRAZIONE	1,00			--
0036	MPVR05482		BOX -	1,00			--
0037	VTDD15925		NUT M 4 INX+ZN	2,00			--
0038	GUGO00418		GASKET CONDOTTO ASPIRAZIONE	1,00			--
0040	GUGO00245		GASKET	1,00			--
0042	FSVR43136		CLAMP D. 35-40 DF.	1,00			--
0046	KTRI04696		KIT REPLACEMENT TBFX00353	1,00			--
0047	VTDD01693		NUT M 5 INX	2,00			--
0048	VTRS00516		WASHER D. 5 INX	2,00			--
0049	VTVR01038		WASHER -	1,00			--
0050	MPVR05596		PROTECTION -	1,00			--
0051	VTVT01150		SCREW 4x10	1,00			--
0052	VTVT07725		SCREW TE 5X16 UNI5739 INX	2,00			--
0053	LAFN07631		BRACKET -	1,00			--
0056	FSVR00248		CLAMP -	1,00			--



Ref. K	Part n.	Part n. 2	Description	Quantity	Validity		Price
					From	To	
0001	LAFN09302		CLOSURE -	2,00	26/09/2013		--
0002	MPVR49229		BUSHING SHK	2,00			--
0003	MPVR05290		ROLLER SIDE BUMPER WHEEL	2,00			--
0004	GUGO00164		GASKET	2,00			--
0005	LAFN04100		SPACER FOR BUMPER WHEEL	2,00			--
0006	MPVR06003		KNOB AISI 304	2,00		05/03/2013	--
0006	MPVR06004		KNOB SQUEEGEE YELLOW M8X30	2,00	06/03/2013		--
0008	VTRS00245		WASHER D.6 UNI 6592 INOX	2,00			--
0009	LAFN09014		PLATE -	1,00			--
0010	GUVR00303		GASKET -	1,00			--
0011	GUVR00302		GASKET -	1,00			--
0012	LAFN09301		SOCKET -	2,00	26/09/2013		--
0014	LAFN08952		BRACKET -	1,00		25/09/2013	--
0014	LAFN09284		SHEET METAL PA. -	1,00	26/09/2013		--
0015	LAFN08953		BRACKET -	1,00		25/09/2013	--
0015	LAFN09285		BLADE RETAINER FRONT L.H.S. L	1,00	26/09/2013		--
0016	MPVR08040		BLADE L LATEX	1,00			--
0017	VTRS16937		WASHER 6x24 INOX UNI 6593	2,00			--
0018	KTRIO2049		BODY SQUEEGEE PRESSOFUSO "L"	1,00			--
0019	VTVT00841		SCREW TE M 6X65 UNI 5739 INX	2,00			--
0020	VTVT15515		SCREW TE M 6X 50 INOX A2	2,00			--
0021	MPVR05898		CLOSURE L	2,00			--
0022	MPVR08036		BLADE L LATEX	1,00			--
0023	LAFN08954		BRACKET -	1,00		25/09/2013	--
0023	LAFN09286		SHEET METAL PA. -	1,00	26/09/2013		--
0024	LAFN08955		BRACKET -	1,00		25/09/2013	--
0024	LAFN09287		SHEET METAL PA. -	1,00	26/09/2013		--
0025	LAFN09015		PLATE -	1,00			--
0026	VTVR00565		INSERT -	2,00			--
0027	VTDD00210		NUT M 3 AUTOBL.DIN 985 IX.A2	8,00	26/09/2013		--
0028	VTVT01070		SCREW TSTC M3X8	8,00	26/09/2013		--