

AIR DRIVEN HYDRAULIC PUMP WITH 2.5L OIL RESERVOIR

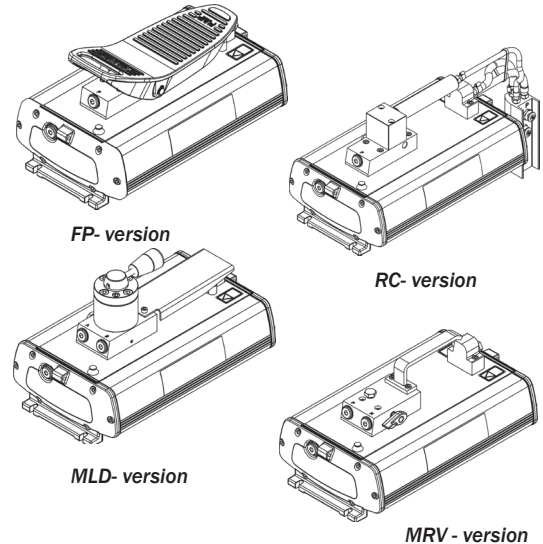
The PPxx-2500 series air powered hydraulic pump

- Ergonomic foot- or hand control
- Safe, internal overflow & integrated safety valve
- High oil-flow, sight level glass & robust aluminium design

Designed to be powered by a 2.5 to 10 Bar air pressure the PPxx-2500 ensures a trouble free and ergonomic way of generating hydraulic pressure. The air driven pump is suitable for stationary use in workshops and other industrial applications.

The PPxx-2500 is ideally suited for use with REHOBOT Push & Pull kits and other hydraulic tools or cylinders. The pump can easily be equipped with additional pressure gauges, preassemble with hoses or couplings and comes with a vast number of valve options.

Air inlet interface on the RC & MRV versions are constituted by a G1/4" port. Air inlet interface on the FP & MLD versions are constituted by a NPT1/4" port. The hydraulic connection interface is constituted by a G1/4" threaded port.



VALVE OPTIONS

Name	Description
FP	Foot Pedal. The FP option is ideal when both hands of the operator needs to be working with the work piece or tool. The foot pedal control the start/stop of hydraulic flow and also its release back to the oil reservoir.
RC	Remote Control. The RC option with a remote control is utilized by a 2.5 m remote control unit. The pump is controlled by two push buttons on the remote unit controlling the start/stop of hydraulic flow and its release back to the oil reservoir.
MLD	Manual Lever control for Double acting tools. The manual lever is set to direct the hydraulic flow over 2 different ports. A foot pedal is used for the start/stop function.
MRV	Manual Release Valve. The MRV option is suitable when the pump is used together with tools equipped with internal valve functions. The pumps has a G1/4" pressure & return connection and a manual release valve.

ORDERING INFORMATION

Name	Part number	Max pressure MPa/bar	Effective oil volume cm ³	Capacity (at 7 bar air pressure)		Air pressure (to reach max hydraulic pressure) MPa/bar	Weight kg
				Low cm ³ /min	High cm ³ /min		
PP70-2500FP	50000	70/700	2500	1150	260	0.65/6.5	10.1
PP70-2500RC	50001	70/700	2500	1070	200	0.65/6.5	10.8
PP70-2500MLD	50002	70/700	2500	1150	260	0.65/6.5	10.5
PP70-2500MRV	50003	70/700	2500	1150	260	0.65/6.5	9.8
PP80-2500FP	50004	80/800	2500	760	170	0.6/6	10.1
PP80-2500RC	50005	80/800	2500	710	130	0.6/6	10.8
PP80-2500MLD	50006	80/800	2500	760	170	0.6/6	10.5
PP80-2500MRV	50007	80/800	2500	760	170	0.6/6	9.8
PP100-2500FP	50008	100/1000	2500	760	100	0.65/6.5	10.8
PP100-2500RC	50009	100/1000	2500	710	80	0.65/6.5	11.5

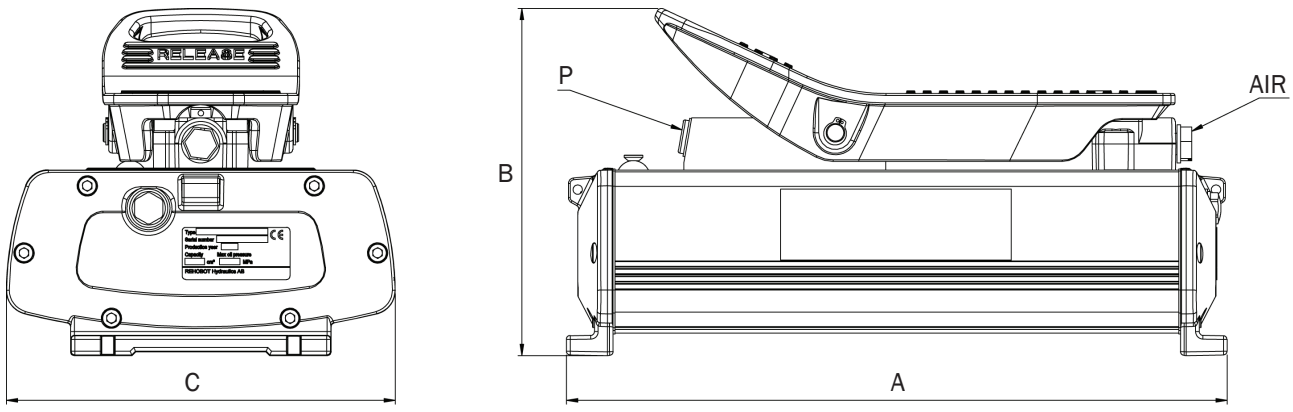
All pumps can be equipped with a pressure gauge. For pumps with valve option RC/MLD/MRV we recommend pressure gauge AMT801. For pumps with valve option FP we recommend pressure gauge AMT801 and gauge adaptor ATM214.

All PPxx-2500 series pumps are available in a pre-mounted version with hydraulic hose, Quick coupling AQI7 and Swivel coupling ASE10. Please contact you local REHOBOT representative to obtain the correct part number for PPxx-2500 equipped with these options.

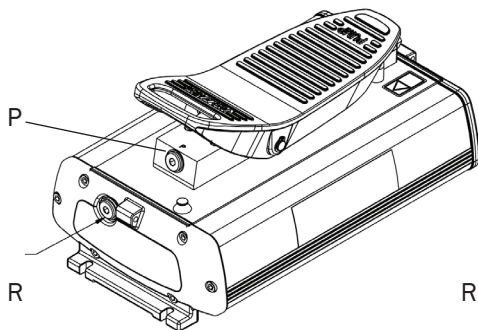
RECOMMENDED ACCESSORIES

Name	Part number	Description
AQI7 + AAU436	46014 + 20737	Quick coupling & attachment specified up to 100 MPa or 1000 bar.
ASE10	37588	Swivel coupling specified up to 100 MPa or 1000 bar.
AMT801	44474	Pressure gauge suitable for PPxx-2500 pumps with RC/MLD/MRV valve option.
ATM214	43932	Gauge adaptor for PPxx-2500 pumps with FP valve option.

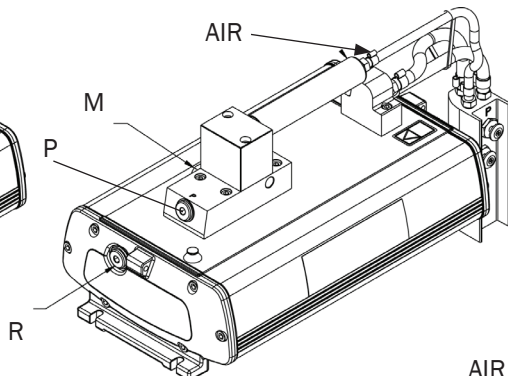
DIMENSIONAL DRAWING



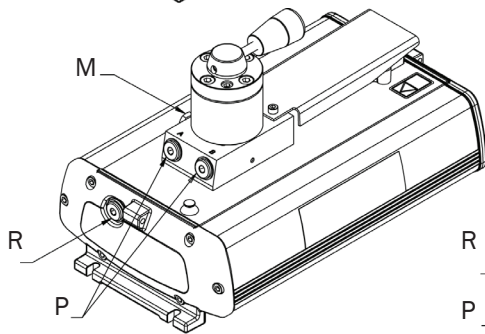
FP - version



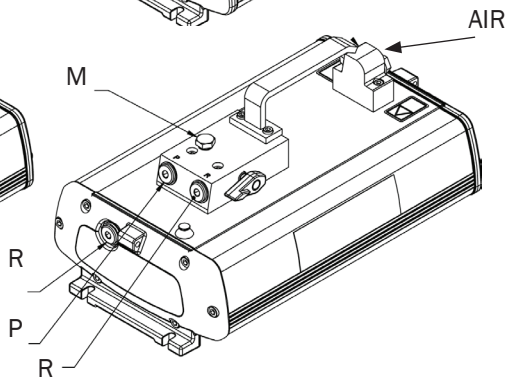
RC - version



MLD - version



MRV - version



Name	A mm	B mm	C mm	M Gauge port only	P Pressure outlet	R Return inlet	AIR Inlet
PPxx-2500FP	355	187	209	G1/4"	G1/4"	G1/4"	NPT1/4"
PPxx-2500RC	355	175	209	G1/4"	G1/4"	G1/4"	G1/4"
PPxx-2500MLD	355	214	209	G1/4"	2 x G1/4"	G1/4"	NPT1/4"
PPxx-2500MRV	355	171	209	G1/4"	G1/4"	2 x G1/4"	G1/4"

We reserve the right to change product-related information and technical specifications without prior notice.