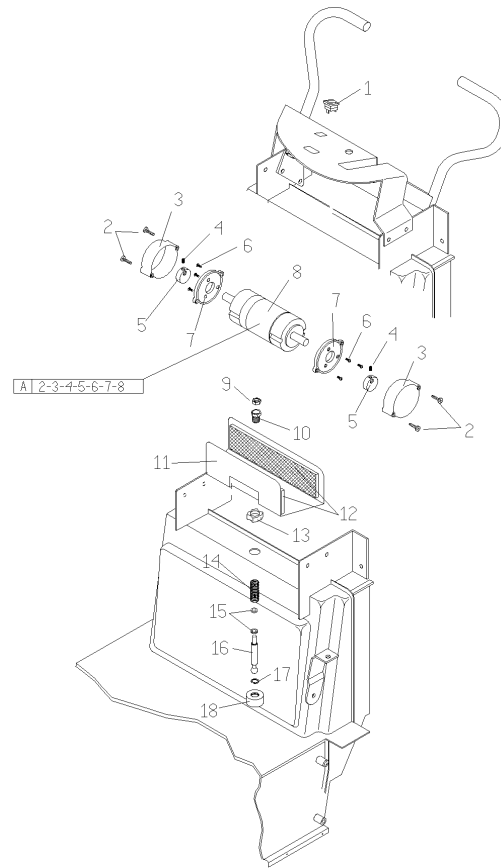


IPC

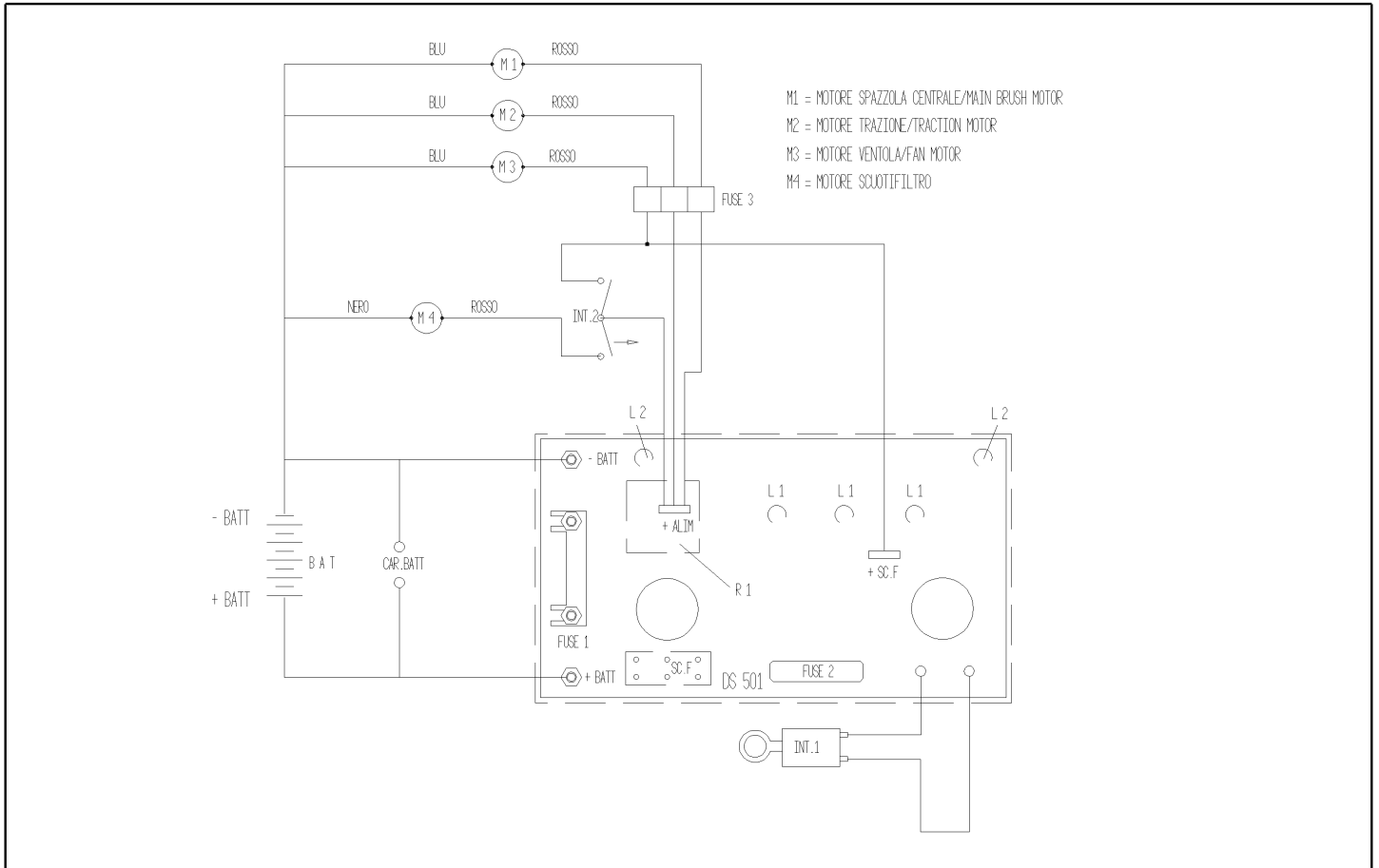
Spare parts list

Ref: MSUT00701

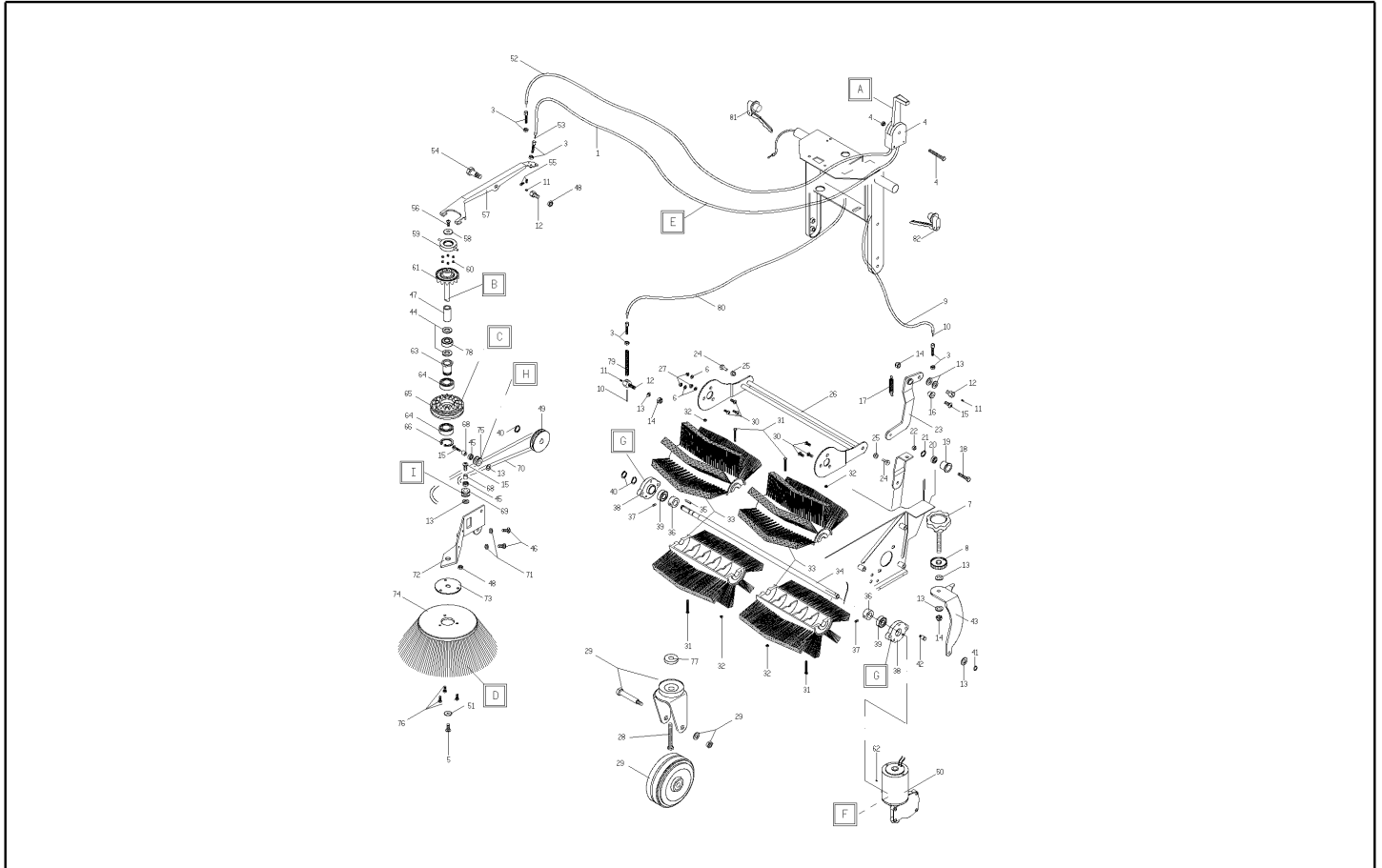
Model: SWEEPER 505 ET+AF+SF GR/VE



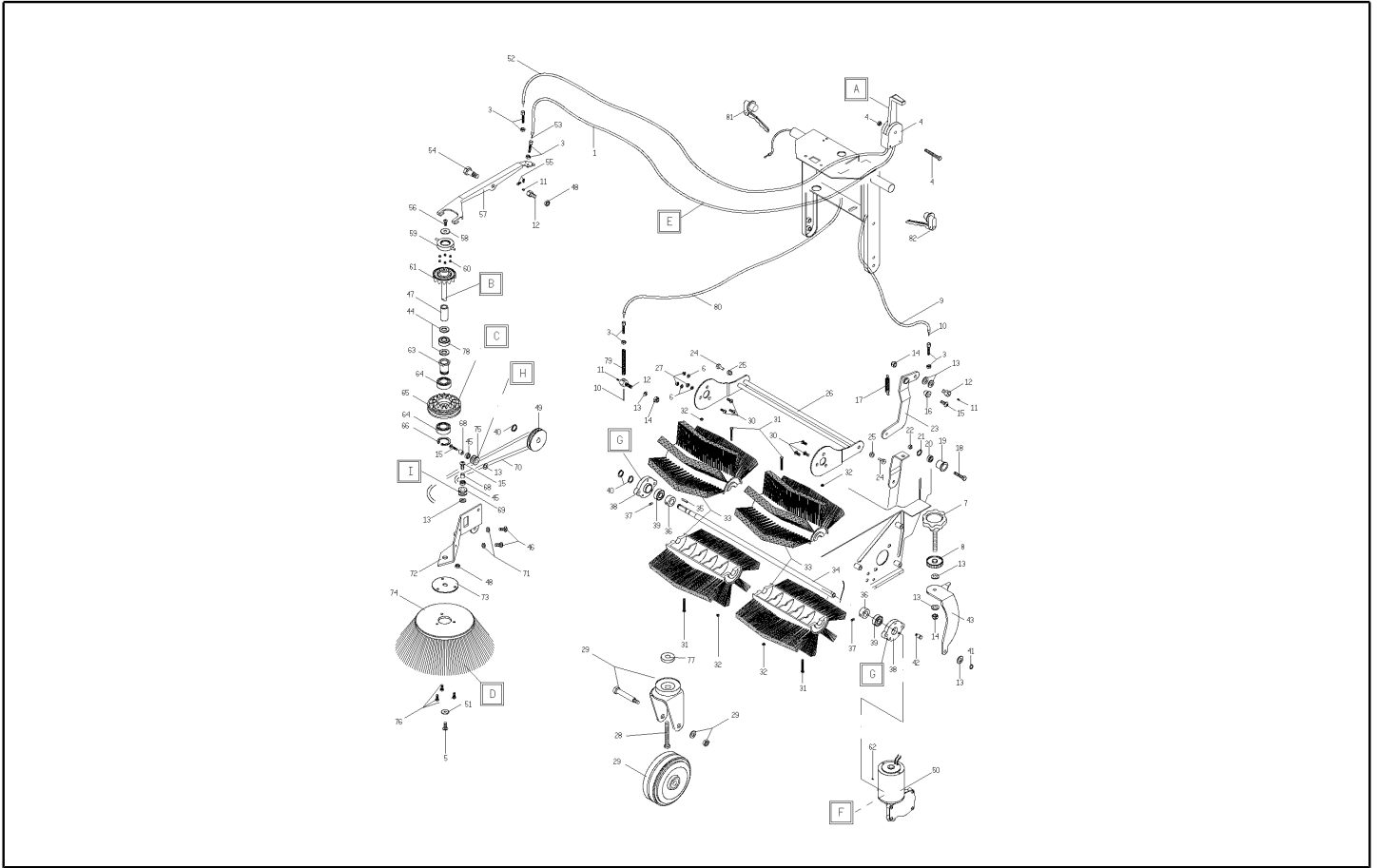
Ref. K	Part n.	Part n. 2	Description	Quantity	Validity		Price
					From	To	
000A	MOCC85140		MOTOR 12V CC	1,00			--
0001	MECI00034	23801016	COMMUTAT.SWITCH SCUOTIFILTRO COMPLETO	1,00			--
0002	VTVT47138	1105365	SCREW AUTOF.TSP UNI 6955 3,9X32	4,00			--
0003	LAFN47139	2120288	COVER PROTEZIONE MASSE SCUOTIF.	2,00			--
0004	VTVT75731	1105482	GRUB SCREW UNI 5923 6X5	2,00			--
0005	LAFN47140	2110045	BUSHING CONTRAPPESO PER SCUOTIFIL	2,00			--
0006	VTVT76616	1105781	SCREW TSCE UNI 5933 4X12 ZB	6,00			--
0007	MFVR47141	2150031	FLANGE X MOTORE SCUOTIFILTRO	2,00			--
0008	MOCC85526	1340019	MOTOR D.63 12V G 3800 W 35	1,00			--
0009	VTDD00008	1105129	NUT M10 UNI 5589 ZB	1,00			--
0010	ABGO00012	2370003	VIBRATION DAMP. PER SCUOTIFILTRO	1,00			--
0011	LAFN00676	2260063	SUPPORT MOTORE X SCUOTIF.E VERN.	1,00			--
0012	MPVR00728	2160041	GASKET PROTEZ.MOTORE SCUOTIFILT	2,00			--
0013	LAFN36319	SL05049	RING NUT M25X1.5-10.3	1,00			--
0014	MLML85610	2205017	SPRING COMPRES.X SCUOT.ELETTR.ZB	1,00			--
0015	GUGO19260	1160046	O-RING D. 8 X 1 NBR 70SH	2,00			--
0016	LAFN00428	2230017	PIN D.15 H.78 A SFERA SCUOT.	1,00			--
0017	VTAE00007	1105702	SEEGER INTERNO DIN 472 D.16	1,00			--
0018	LAFN00417	2205007	ARTICULATED BAR TK500/700	1,00			--



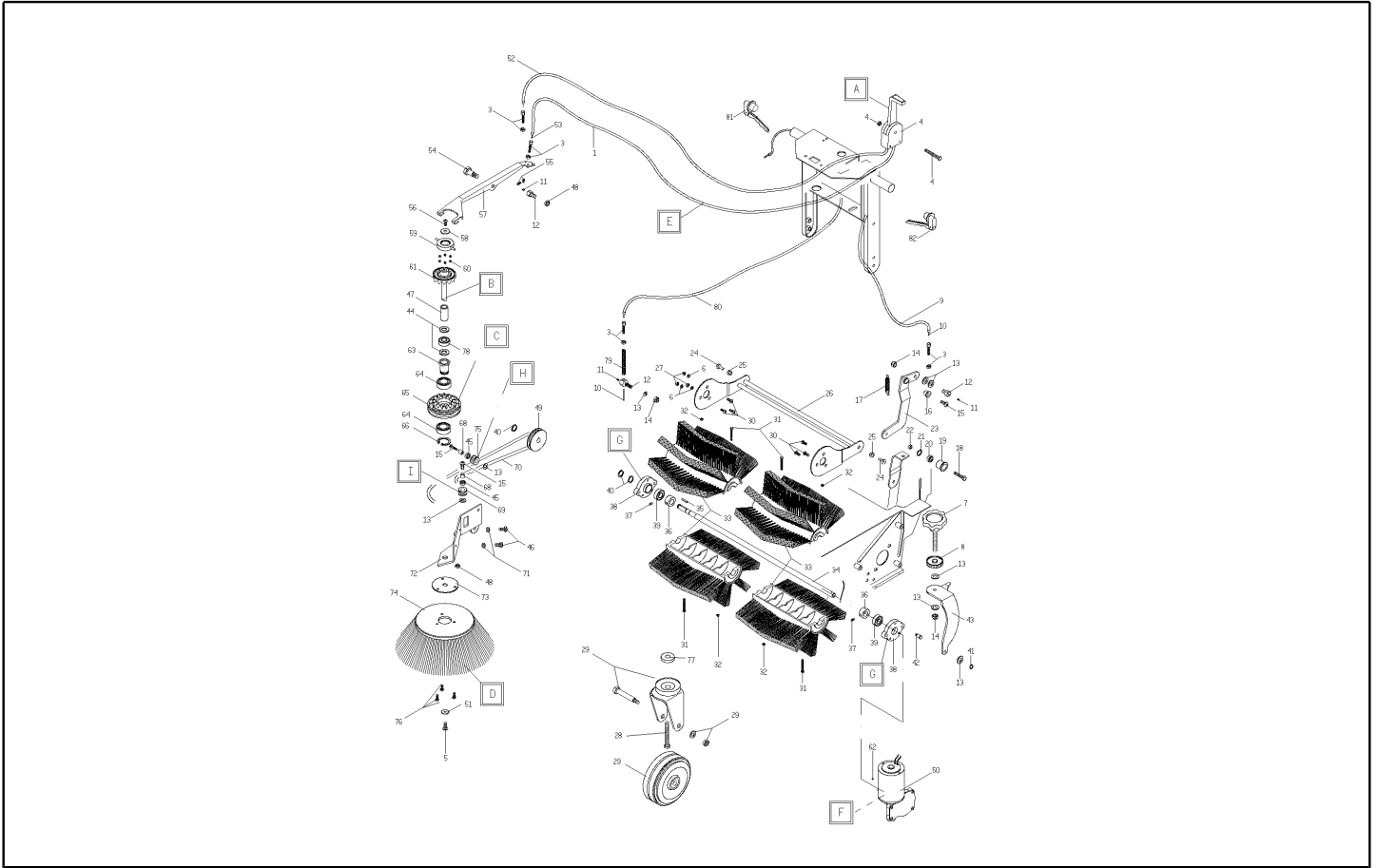
Ref. K	Part n.	Part n. 2	Description	Quantity	Validity		Price
					From	To	
INT1	MECI75805	13801001	SWITCH KEY FOR BATTERY MACHINES	1,00			--
INT2	MECI85331	1380073	COMMUTAT.SWITCH BIPOL.+1POSIZ.A PULS.+CAP	1,00			--
00M1	RDGR75782	1340008	MOTOR.GEARBOX D.77 TK 500	1,00			--
00M2	RDGR75782	1340008	MOTOR.GEARBOX D.77 TK 500	1,00			--
00M3	MOCC75780	1340002	MOTOR D.77 12V	1,00			--
00M4	MOCC85140		MOTOR 12V CC	1,00			--



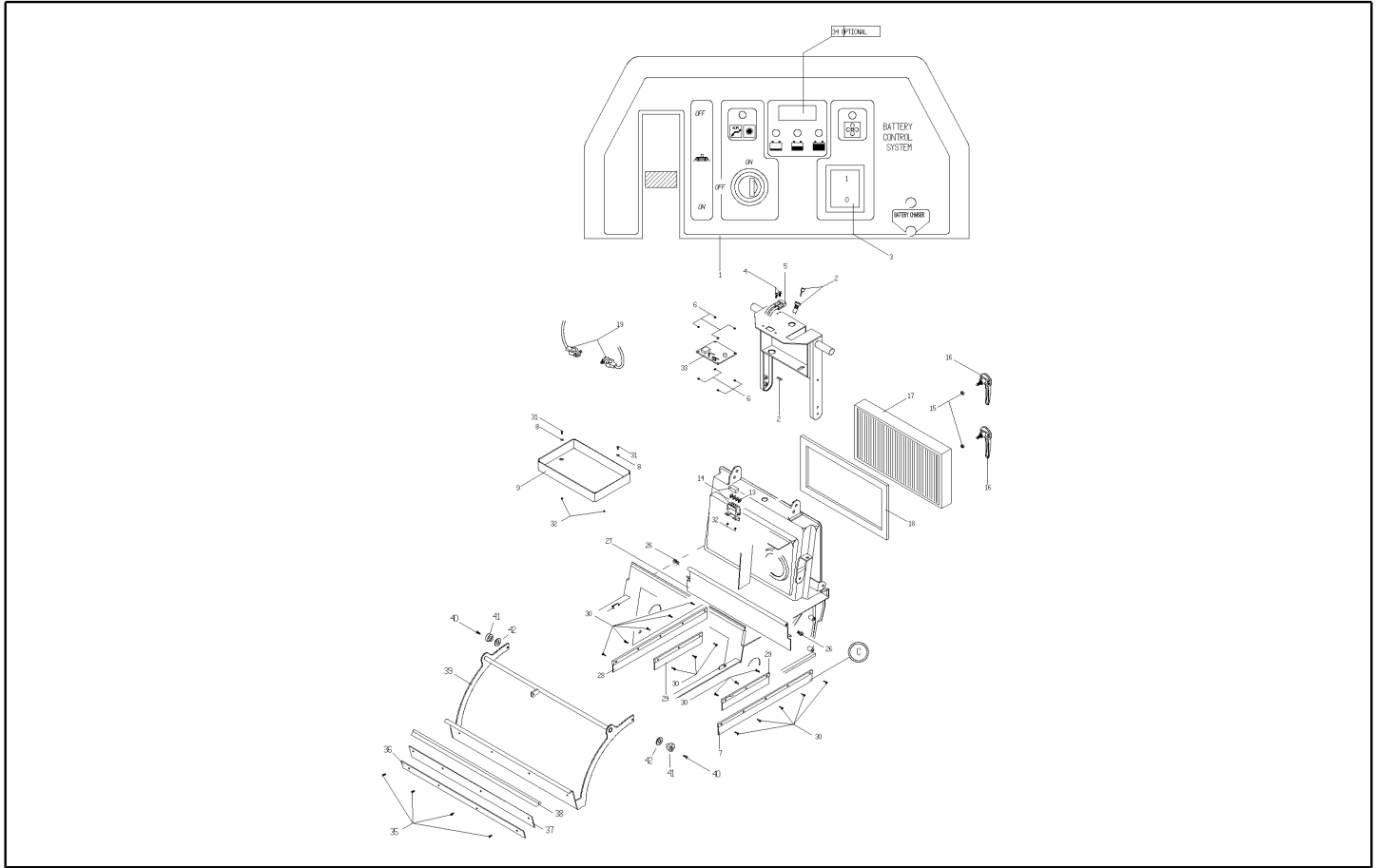
Ref. K	Part n.	Part n. 2	Description	Quantity	Validity		Price
					From	To	
000A	MPVR00017	1125005A	LEVER COMANDO SPAZZ.ASSEMBLATA	1,00			--
000B	MTIG85321	2315003	RING DENT.MOV.SPAZ.LAT.TK	1,00			--
000C	PMVR00403	2315008	RING DENTATO FOLLE TK COMPLETO	1,00			--
000D	PMVR00248	2310127	SIDE-BRUSH TK COMPLETA PPL 70	1,00			--
000E	CMCV00049	2310259	CMCV00049	1,00			--
000F	MPVR87013	1380005	CARBON PER MOTORE ELETT.D.77/80	1,00			--
000G	PMTR00026	2310112	SUPPORT D.90 DX/SX(2 INS.)+CRUS	2,00			--
000H	PMTR00064	2310291	PULLEY D.27X15 BRAC.LAT.TIP.NUOV	1,00			--
000I	PMTR00065	2310292	PULLEY D.30X15 BRAC.LAT.TIP.NUOV	1,00			--
0001	CMCV86595	2125002	SHEATH +CAVO ALZASP.TK700	1,00			--
0003	CMCV75723	1105229	REGISTER D.7	3,00			--
0004	MPVR00017	1125005A	LEVER COMANDO SPAZZ.ASSEMBLATA	1,00			--
0005	VTVT62920	1105162	SCREW TE FR 6X16 ZB ZIGRINATE	1,00			--
0006	VTRS00503	05118	WASHER D. 6 TE UNI 6798	3,00			--
0007	VTVR75767	1320031	HANDWHEEL D.60 M12X67	1,00			--
0008	LAFN75735	1110005	RING NUT ZIGRINATA D.40 M12	1,00			--
0009	MEVR75900	2125015	SHEATH CAVO TRAZIONE L.880	1,00			--
0010	CMCV00021	2125012C	CABLE TRAZIONE L.1120	1,00			--
0011	VTVT87456	1105485	GRUB SCREW UNI 5923 5X6	3,00			--
0012	LAFN01068	2290004	SCREW CH.17 H.28 FISSAGGIO FILO	3,00			--
0013	VTRS00504	05242	WASHER D. 8 TE ZC. UNI 6592	9,00			--
0014	VTDD00124	SL05001	NUT M 8 BASSO	4,00			--
0015	VTVT75727	1105238	SCREW TBCE ISO 7380 8X25 ZB	3,00			--
0016	MPVR75836	2110025	BUSHING NYLON LEVA TENDICINGHIA	1,00			--
0017	MLML75960	2205005	SPRING TRAZIONE TK D.8X1X29 ZB	1,00			--
0018	VTVT76018	2290001	SCREW BLOCCAG.RULLO TENDICING.	1,00			--
0019	MTPL37338	2250001	ROLLER TENDICINGHIA H.15	1,00			--
0020	CUVR71988	1390005	BEARING 608 2RS	1,00			--
0021	VTAE87082	1105701	SEEGER INTERNO DIN 472 D.22	1,00			--
0022	LAFN75909	2130001	SPACER D.12 H.3,5	1,00			--
0023	LAFN87609	2190011E	BRACKET TENDICINGHIA TKE ZINCATA	1,00			--
0024	LAFN76019	2290007	PIN CH 13 H.25 BILANCERE TK	2,00			--
0025	LAFN75834	2110016	BUSHING BILANCERE TK D.18 H.20	2,00			--
0026	LAFN00035	2110017	ROKER TK500 K501 ZINCATO	1,00			--
0027	VTDD00491		NUT M 6 TEF	3,00			--
0028	VTVT00028	1105095	SCREW TE UNI 5739 12X45 ZB	1,00			--
0029	RTRT24661	1250067	WHEEL D.100 SUPP.GIREVOLE NERA	1,00			--
0030	VTVT00061	1105503	SCREW TSCE UNI 5933 6X20 ZB	6,00			--
0031	VTVT22102	1105551	SCREW TCCE UNI 5931 5X70 ZB	4,00			--
0032	VTDD01678	05098	NUT M 5 UNI 5588	4,00			--
0033	SPPV00048	2350036	BRUSH CENTRALE	2,00			--
0034	ALTR75822	2100009	BRUSH SHAFT TK500 E	1,00			--
0035	VTVR26559	1105461	KEY UNI 6604 5X5X15	1,00			--
0036	LAFN26588	2130003	SPACER ALBERO SPAZZ.TRAZ.MANUALI	2,00			--



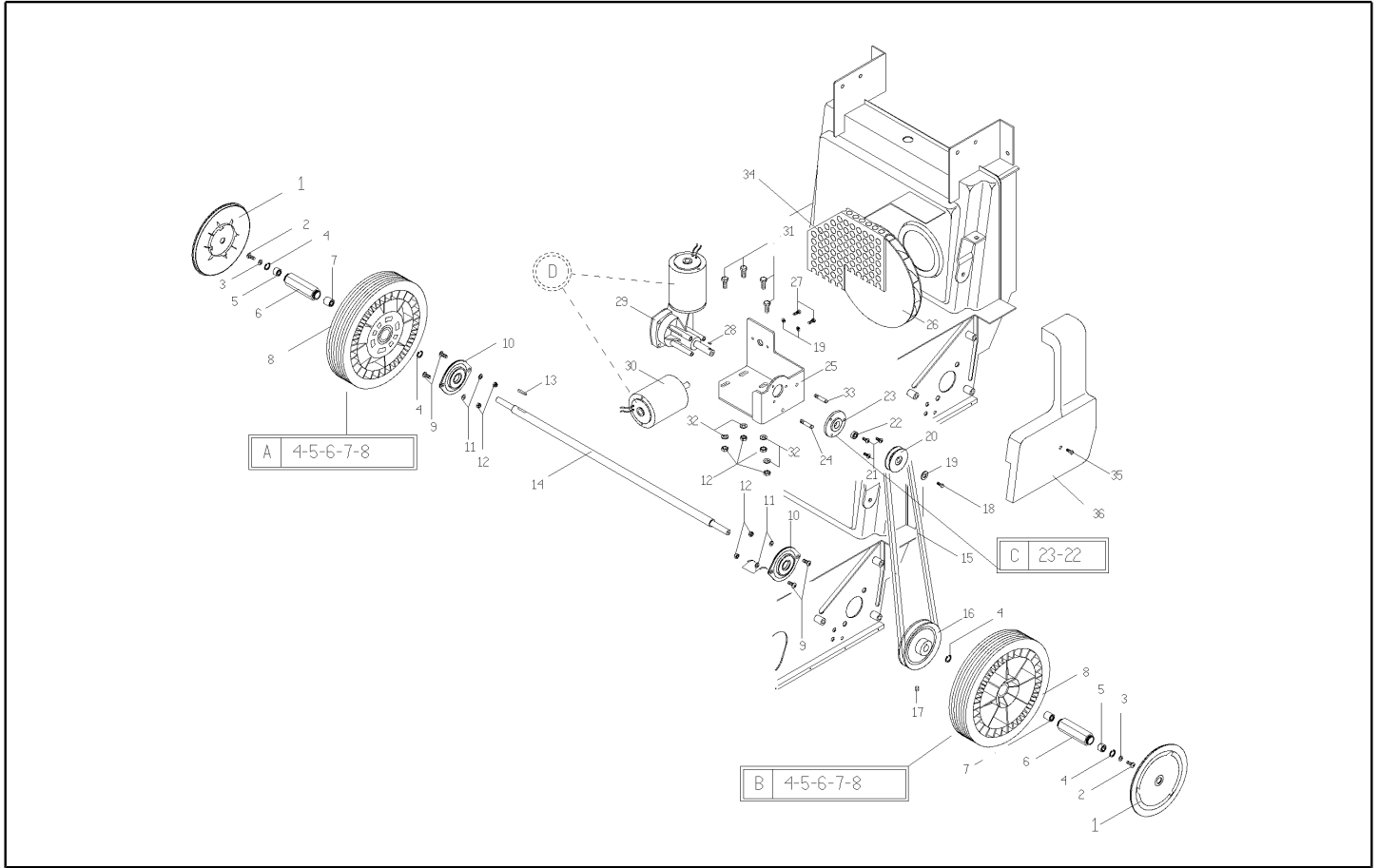
Ref. K	Part n.	Part n. 2	Description	Quantity	Validity		Price
					From	To	
0037	VTVT75731	1105482	GRUB SCREW UNI 5923 6X5	2,00			--
0038	PMTR00026	2310112	SUPPORT D.90 DX/SX(2 INS.)+CRUS	2,00			--
0039	CUVR00005	1390009	BEARING 6202 2RS	2,00			--
0040	VTAE17003	1105405	CIRCLIP ESTERNO DIN 471 D.15	3,00			--
0041	VTAE14016	1105420	SEEGER ESTERNO DIN 471 D.12	1,00			--
0042	LAFN75971	2230029	PIN FISSAG. SUPP. REGOL. SPAZZ.	1,00			--
0043	LAFN00342	2190005	BRACKET REGOL. SPAZZ. CENTR. TKE ZINC	1,00			--
0044	VTRS75831	2105001	WASHER IN FELTRO X BRACCIO LAT.	2,00			--
0045	CUVR75814	1390013	BEARING HK1012	2,00			--
0046	VTVT45395	1105230	SCREW TBCE ISO 7380 8X10 ZB	2,00			--
0047	LAFN75912	2130011	SPACER ALBERO SPAZZ. LAT. TIPO NUOV	1,00			--
0048	VTDD13261	1105220	NUT UNI 5589 M8 BASSO ZB	3,00			--
0049	MTPL75980	2250019	PULLEY SPAZZOLA LATERALE D. 15	1,00			--
0050	RDGR75782	1340008	MOTOR. GEARBOX D.77 TK 500	1,00			--
0051	VTRS63242	1105325	WASHER UNI 6593 6X24X2 ZB	1,00			--
0052	CMCV75897	2125003	SHEATH	1,00			--
0053	CMCV75896	2125001	SIDE BR. SHEATH TK2125001	1,00			--
0054	LAFN75968	2230002	PIN CH. 17 H.34 LEVA SPAZZ. LAT.	1,00			--
0055	CMCV75737	1125004	CLAMP D.7 art.857	1,00			--
0056	VTVT75724	1105231	SCREW TBCE ISO 7380 8X22 ZB	1,00			--
0057	LAFN75953	2190004	LEVER SOLLEV. SPAZZ. LATER. TK ZIN	1,00			--
0058	VTRS00513	1105327	WASHER UNI 6593 8X32X2,5 ZB	1,00			--
0059	LAFN75824	2100012	RING CUSCIN. SPAZZOLA LATER. TK	1,00			--
0060	SFVR00002	1260029	BALL 11/32"	6,00			--
0061	LAFN75826	2100019N	RING DENTATO MOV. SPAZZ. LAT. TK	1,00			--
0062	VTVR75730	1105463	KEY UNI 6606 3X3,7	1,00			--
0063	LAFN75833	2110012N	BUSHING PORTACUSC. TK NUOVO TIPO	1,00			--
0064	CUVR86893	1390012	BEARING 6005 2RS	2,00			--
0065	LAFN75827	2100020	RING DENTATO FOLLE TK	1,00			--
0066	VTAE09655	1105416	SEEGER ESTERNO DIN 471 D.25	1,00			--
0068	LAFN75840	2110042	BUSHING D.10 NUOVO BRACCIO LAT.	2,00			--
0069	MTPL75996	2250079	PULLEY D.27X15 BRACCIO LAT. NUOVO	1,00			--
0070	MTCG85335	2330102	BELT D.8MM SIDE ARM-BLUE	1,00			--
0071	VTRS00512	RS01113	WASHER D. 8 X24 ZC.	2,00			--
0072	LAFN76005	2260024	SUPPORT SPAZZOLA LATERALE TK ZINC	1,00			--
0073	LAFN75986	2250034	FLANGE TRASCIN. SPAZZ. LAT. TK ZINC.	1,00			--
0074	SPPV76057	2350020	SIDE-BRUSH TK PPL 70	1,00			--
0075	MTPL75997	2250080	PULLEY D.30X15 BRACCIO LAT. NUOVO	1,00			--
0076	VTVT00527		SCREW TE FR 6X10 ZB ZIG.	3,00			--
0077	LAFN75910	2130005	SPACER FISSAG. RUOTA ANTER. H 10	1,00			--
0078	CUVR37344	1390015	ROLLER BEARING HK 1412	1,00			--
0079	MLML00033	2205400	SPRING ALZAFLAP SILVER ZB	1,00			--
0080	CMCV85518	2125400	SHEATH SW 510/710 2125400	1,00			--
0081	PMTR00089		HANDLE TRAZ. K E TK NUOVO MAN.COM	1,00			--



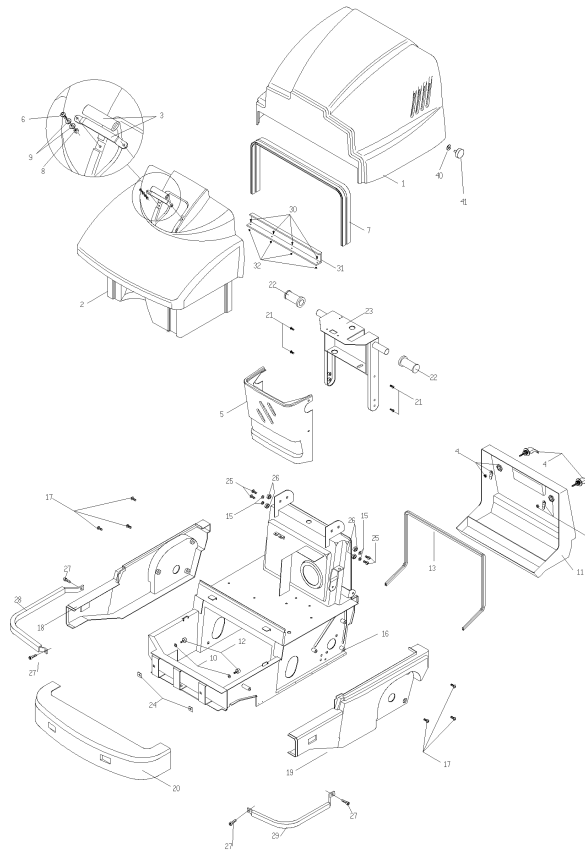
Ref. K	Part n.	Part n. 2	Description	Quantity	Validity		Price
					From	To	
0082	PMTR00088		HANDLE TRAZ.K E TK NUOVO MAN.COM	1,00			--



Ref. K	Part n.	Part n. 2	Description	Quantity	Validity		Price
					From	To	
000C	MPVR76042	2310095	RUBBER KIT FLAPS FRAME TK500	1,00			--
0001	ETET76080	6911072	LABEL CRUS.TK500E	1,00			--
0002	MECI75805	13801001	SWITCH KEY FOR BATTERY MACHINES	1,00			--
0003	MECI85753	1380009	SWITCH BIPOLARE CON CAPPUCCIO	1,00			--
0004	VTVT00103	1105798	SCREW AUTOF.TC UNI 6954 4,8X22	2,00			--
0005	MEVR07039		CONNECTOR BATTERY SB50 GRAY	1,00			--
0006	VTDD01678	05098	NUT M 5 UNI 5588	2,00			--
0007	MPVR75928	2160060	FLAP LAT.SX TK/K 500/700	1,00			--
0008	VTRS15958	1105808	WASHER UNI 6592 5X15X1,5 ZB	2,00			--
0009	LAFN87156	2120125	CONTAINER BATTERY	1,00			--
0013	MEVR01136	SL23148	FUSE 30A	1,00			--
0014	MEVR00030	1380004	FUSE-HOLDER 4 VIE COPERCHIO TRAS.	1,00			--
0015	VTDD00483	05092	NUT M 8 ZIN UNI 5588	2,00			--
0016	PMVR00374	2310410	HANDLE BLOCCAG.FILT.TK-K 500/700	2,00			--
0017	FTDP76065	2360002	FILTER TK 500	1,00			--
0018	KTRI75926	2160052	GASKET KIT FOR 500-505-512	1,00			--
0019	MECB00008	1180037	ELECTRI.INSTAL. TK500 MANICO NUOVO	1,00			--
0026	VTVT47025	1105232	SCREW TBCE ISO 7380 10X16 ZB	2,00			--
0027	MPVR85933	2160035	FLAP POSTERIORE TK500 NERO	1,00			--
0028	MPVR75922	2160036	FLAP LATER.DX TK/K/SILV.	1,00			--
0029	MPVR75927	2160055	RUBBER FLAP	2,00			--
0030	VTVT01295		SCREW 3,5X9,5 TS80 UNI 6955 ZB	16,00			--
0031	VTVT29884	1105002	SCREW TE UNI 5739 4X16 ZB	2,00			--
0032	VTDD04368	05090	NUT M 4 ZIN UNI 5588	2,00			--
0033	MECE75944	2180009	BOARD COMANDO 12V MOD.TK/K	1,00			--
0034	MESB00002	13801000	HOUR-COUNTER LCD MOD.700 12-24V	1,00			--
0035	VTVT00040	1105356	SCREW AUTOF.TC UNI6954 3,5X10SP	4,00			--
0036	LAFN00331	2150402	CLAMP GOMMA ALZAFLAP 500	1,00			--
0037	MPVR87400	2160410	RUBBER ALZAFLAP 500	1,00			--
0038	MPVR00731	2160047	RUBBER ALZAFLAP SERIE 500	1,00			--
0039	LAFN00074	2110062	ROKOR ALZAF.520/530/540/550 ZIN	1,00			--
0040	VTVT75724	1105231	SCREW TBCE ISO 7380 8X22 ZB	2,00			--
0041	LAFN00188	2110400	BUSHING OTTONE BRAC.ALZAF.L.SILVER	2,00			--
0042	VTRS00512	RS01113	WASHER D. 8 X24 ZC.	2,00			--



Ref. K	Part n.	Part n. 2	Description	Quantity	Validity		Price
					From	To	
000A	PMTR00008	2310099N	WHEEL D.250 DX COMPL.NERO-NERA	1,00			--
000B	PMTR00010	2310100N	WHEEL D.250 SX COMPL.NERA-NERO	1,00			--
000C	PMTR00032	2310117	SUPPORT CUSCIN.6000 RIDUT.TRAZ.TK	1,00			--
000D	MPVR87013	1380005	CARBON PER MOTORE ELETT.D.77/80	1,00			--
0001	MPVR00541	2120257	WHEEL'S COVER D.200 NERO	2,00			--
0002	VTVT75725	1105234	SCREW TBCE ISO 7380 6X10 ZB	2,00			--
0003	VTRS63242	1105325	WASHER UNI 6593 6X24X2 ZB	2,00			--
0004	VTAE28493	1105418	SEEGER ESTERNO DIN 471 D.28	4,00			--
0005	CUVR37341	1390016	ROLLER BEARING HFL 1426	2,00			--
0006	LAFN75838	2110033	BUSHING ESAGONALE CUSCIN.RUOTA	2,00			--
0007	CUVR37344	1390015	ROLLER BEARING HK 1412	2,00			--
0008	RTRT75989	2250071	WHEEL GOMMA D.250X55 NERA CER.N	2,00			--
0009	VTVT75721	1105222	SCREW TTDE UNI 5732 6X16 ZB	4,00			--
0010	CUVR75815	1390017	BALL BEARING UBPFLL203	2,00			--
0011	VTRS00503	05118	WASHER D. 6 TE UNI 6798	4,00			--
0012	VTDD00491		NUT M 6 TEF	8,00			--
0013	VTVR26559	1105461	KEY UNI 6604 5X5X15	1,00			--
0014	ALTR75820	2100006	TRACTION SHAFT TK500 H.697	1,00			--
0015	MTCG13166	1330006	BELT Z 30 3/4	1,00			--
0016	MTPL75984	2250029	PULLEY TRAZIONE D.140	1,00			--
0017	VTVT86570	1105481	GRUB SCREW UNI 5927 6X10 CON PUNTA	1,00			--
0018	VTVT00003	1105001	SCREW TE M 4X 12 ZC. UNI 5739	1,00			--
0019	VTRS00291	SL06084	WASHER D. 5 X20 ZC UNI 6593	3,00			--
0020	MTPL75985	2250030	PULLEY D.55 RIDUTTORE TRAZIONE	1,00			--
0021	VTVT85745	1105233	SCREW TBCE ISO 7380 6X25 ZB	3,00			--
0022	CUVR86373	1390007	BEARING 6000 2RS	1,00			--
0023	LAFN48900	2260032	SUPPORT CUSC.6000 RIDUT.TRAZ.TK	1,00			--
0024	LAFN75969	2230005	PIN SOSTEGNO CINGHI D.9 H.33	1,00			--
0025	LAFN00652	2260026	SUPPORT MOTORI TK ZINCATO	1,00			--
0026	VEVR26677	1290002	IMPELLER ALLUMINIO D.200	1,00			--
0027	VTVT14062	1105022	SCREW TE UNI 5739 5X16 ZB A.8.8	2,00			--
0028	VTVR75730	1105463	KEY UNI 6606 3X3,7	1,00			--
0029	RDGR75782	1340008	MOTOR.GEARBOX D.77 TK 500	1,00			--
0030	MOCC75780	1340002	MOTOR D.77 12V	1,00			--
0031	VTVT62920	1105162	SCREW TE FR 6X16 ZB ZIGRINATE	4,00			--
0032	VTRS04026		WASHER D. 6X18X2,38	4,00			--
0033	LAFN00576	2230404	PIN FISS.CONVOGLIATORE ARIA	1,00			--
0034	LAFN00876	2260401	PROTECTION	1,00			--
0035	VTVT00527		SCREW TE FR 6X10 ZB ZIG.	1,00			--
0036	MPVR00611	2120412	CONVEYOR ARIA VERSIONE ELETTRICA	1,00			--



Ref. K	Part n.	Part n. 2	Description	Quantity	Validity		Price
					From	To	
0001	MPVR06022		HOOD SUPERIORE 505ET VERDE IPC	1,00			--
0002	MPVR06033		DRAWER ANTERIORE 505 VERDE IPC	1,00			--
0003	KTRI00034	2300427	HANDLE CASSETTO ANT.505 COMPLETA	1,00			--
0004	CHVR26517		DRAWER CLOSURE LOLY 50	2,00			--
0005	MPVR07075		CRANKCASE MANICO 505 GRIGIO	1,00			--
0006	VTVT75726	1105236	SCREW TBCE ISO 7380 6X16 ZB	2,00			--
0007	GUVR00016	2160088	GASKET CASSETTO ANT.K501/NEW502	1,00			--
0008	VTDD00491		NUT M 6 TEF	2,00			--
0009	VTRS04026		WASHER D. 6X18X2.38	2,00			--
0010	VTDD00482	05096	NUT M 6 ZIN UNI 5588	2,00			--
0011	MPVR00398	2120202	DRAWER POSTERIORE TK500/K501 NER	1,00	16/06/2009		--
0011	MPVR76653	2120180	DRAWER POSTERIORE TK500/K501 GR.	1,00		15/06/2009	--
0012	MPVR75799	1370003	FOOT 20X9 M6X18	2,00			--
0013	GUVR75932	2160090	GASKET CASSETTO POST.500-501-510	1,00			--
0015	VTRS00504	05242	WASHER D. 8 TE ZC. UNI 6592	4,00			--
0016	LAFN01064	2270417	FRAME 505 ET GRIGIO RAL7024	1,00			--
0017	VTVT45395	1105230	SCREW TBCE ISO 7380 8X10 ZB	6,00			--
0018	MPVR04667		CRANKCASE LATERALE DX 505-530 NERO	1,00			--
0019	MPVR04666		CRANKCASE LATRALE SX 505-530 NERO	1,00			--
0020	MPVR04665		CRANKCASE FRONTALE 531 NERO	1,00			--
0021	VTVT75726	1105236	SCREW TBCE ISO 7380 6X16 ZB	4,00			--
0022	MPVR00036	1200040A	KNOB GOMMA NERA D.24/24 FORATA	2,00			--
0023	LAFN00407	2200064	HANDLE 505 E VERNICIATO	1,00			--
0024	VTDD75720	1105201	NUT INGABBIATO UNI 3740 M8	2,00			--
0025	VTVT00017	1105066	SCREW TE UNI 5739 8X35 ZB	4,00			--
0026	VTDD00124	SL05001	NUT M 8 BASSO	4,00			--
0027	VTVT87271	1105239	SCREW TBCE ISO 7380 8X16 ZB	4,00			--
0028	PMLA00114	2310449		1,00			--
0029	PMLA00114	2310449		1,00			--
0030	VTVT29884	1105002	SCREW TE UNI 5739 4X16 ZB	4,00			--
0031	LAFN86615	2260430	SHEET METAL PA. INT.CASS.ANT.VERS.A/F 500	1,00			--
0032	VTDD04368	05090	NUT M 4 ZIN UNI 5588	4,00			--
0040	VTRS00504	05242	WASHER D. 8 TE ZC. UNI 6592	2,00			--
0041	VTVR00045	1320078	HANDWHEEL V7 D.40 M8X15	2,00			--