

# MECHONEER®

| Premium Series |



## NEW INVENTION

over the past 40 years

Innovative **MECHONEER®** Drive System



**TRANMAX**  
Tranmax Machinery

Tranmax Machinery Co., Ltd.  
[www.tranmax.com](http://www.tranmax.com)

# MECHONEER®

MECHONEER® Drive System features a new patent pending impact mechanism, reducing vibration by up to 40% and noise up to 10%, and increasing life by 80% and unbeatable power to weight ratio.



**REDUCING  
VIBRATION**



**REDUCING  
NOISE**



**INCREASING  
LIFE**



Busting Torque  
—  
1,200Nm

TPT-2224



Busting Torque  
—  
1,850Nm

TPT-2437

Model	SQ Drive	Free Speed	Busting Torque Reverse		Net Weight		Overall Length		Noise Level	Vibration Level @load	Average Air Cons. @ Load		Air Inlet NPTF	Hose Size	
	inch	rpm	ft-lb	Nm	lb	kg	inch	mm	dBa	m/s <sup>2</sup>	cfm	L/min	inch	inch	mm
TPT-2224	1/2	9,500	884	1,200	2.86	1.3	4.25	108	88	4.3	4.2	118	1/4	3/8	10
TPT-2437	1/2	7,500	1,363	1,850	4.4	2.0	6.37	162	88	6.5	5.7	161	1/4	3/8	10
TPT-2627	3/4	5,500	1,916	2,600	7.7	3.5	7.36	187	96	7.7	7.8	221	3/8	3/8	10

> Working air pressure at air inlet: 6.3 kg/cm<sup>2</sup> (90 psi).

> The silenced N series, Model No. TPT-2224-N, TPT-2437-N, and TPT-2627-N, obtains the noise level of **85 dBA** only, which is up to 10% less than the standard tools.

**[Notice]** The working torque of the silenced N series tools is about 10% less under the same time of operation.

# TOOLS FEATURES

**A** Hammer cage end plate retains the grease in the hammers & cage reducing wear

**B** Patented MECHONEER® pin-less/twin hammer clutch reduces wear and vibration

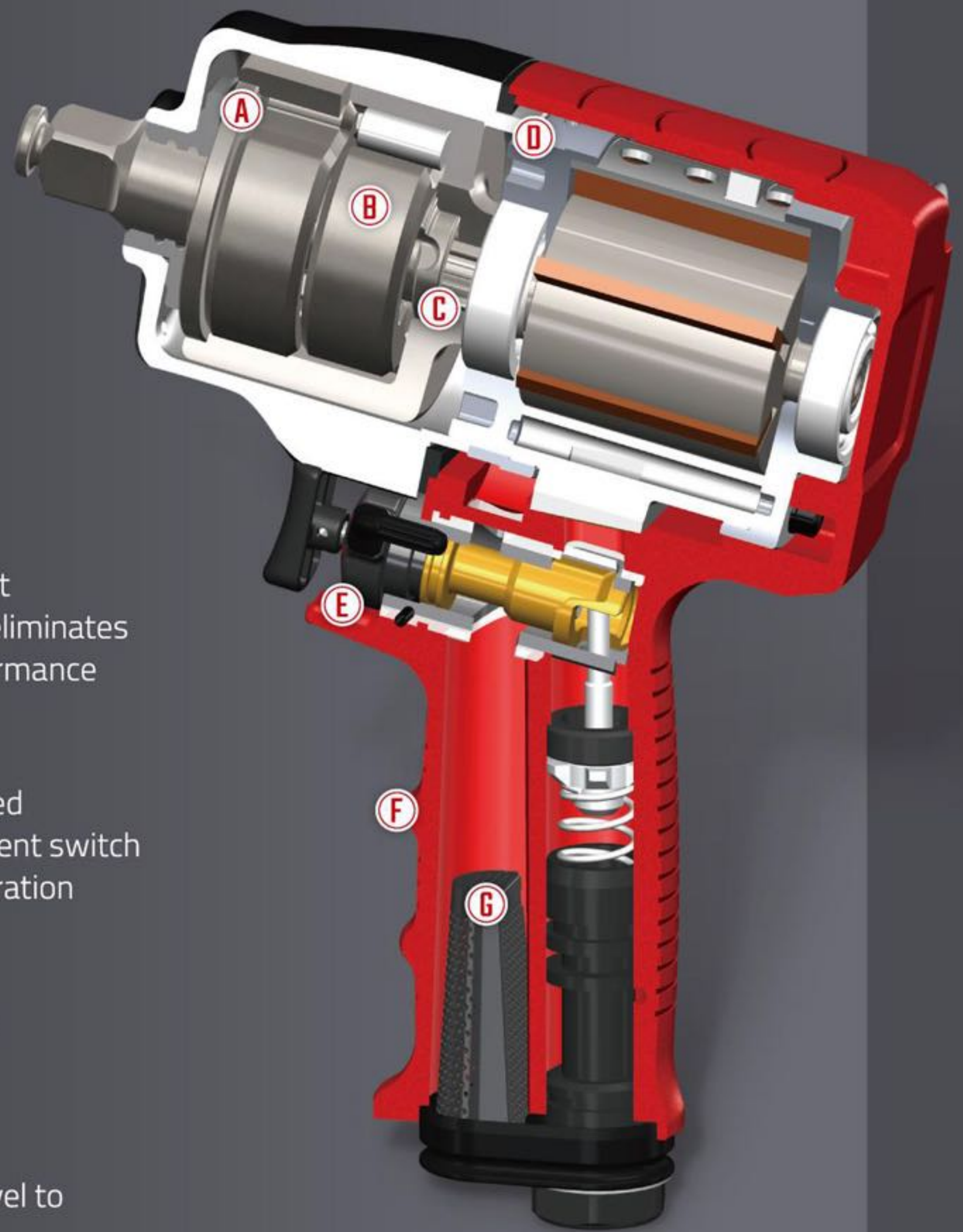
**C** Rotor spline connected to anvil eliminates misalignment and reduces wear and vibration

**D** Through-bolt motor assembly construction eliminates component misalignment reducing wear; and eliminates motor air leakage increasing performance

**E** Patented trigger mounted combined forward/reverse/power management switch provides convenient one hand operation

**F** Ergonomic handle design provides unmatched operator comfort

**G** Patented muffler reduces noise level to 88 dB(A)



## HOW IT WORKS

The patented MECHONEER® Drive System is a **Hybrid** twin hammer/pin-less mechanism that has fewer moving parts reducing vibration and wear.

The clutch mechanism is sealed with a front end plate that retains grease within the mechanism reducing wear. The rear of the anvil is connected by a secondary spindle to

the rotor spline of the motor guaranteeing concentricity which reduces vibration and wear. The motor pack has a through-bolt that ensures concentricity and alignment of the rotor, end plates and cylinder — reducing wear and eliminating internal motor air leaks then can effect power.

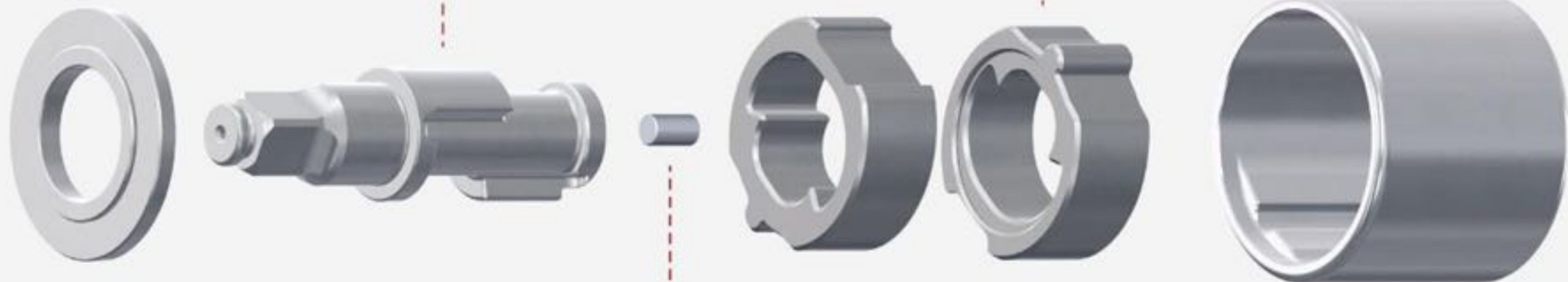
+

The end plate seals with the cage preventing loss of grease

The anvil is driven by the twin hammers "twin hammer concept"

The hammers are driven by the cage "pin-less concept"

The cage is driven by the rotor spline "pin-less concept"



The pin engages in a hole at the back of the anvil and also engages in a hole at the front of the rotor spline ensuring perfect concentricity between the rotor and MECHONEER® anvil

# DRIVE SYSTEM

+

## HOW TO CHANGE THE TAB FROM RIGHT-HAND TO LEFT-HAND SIDE?



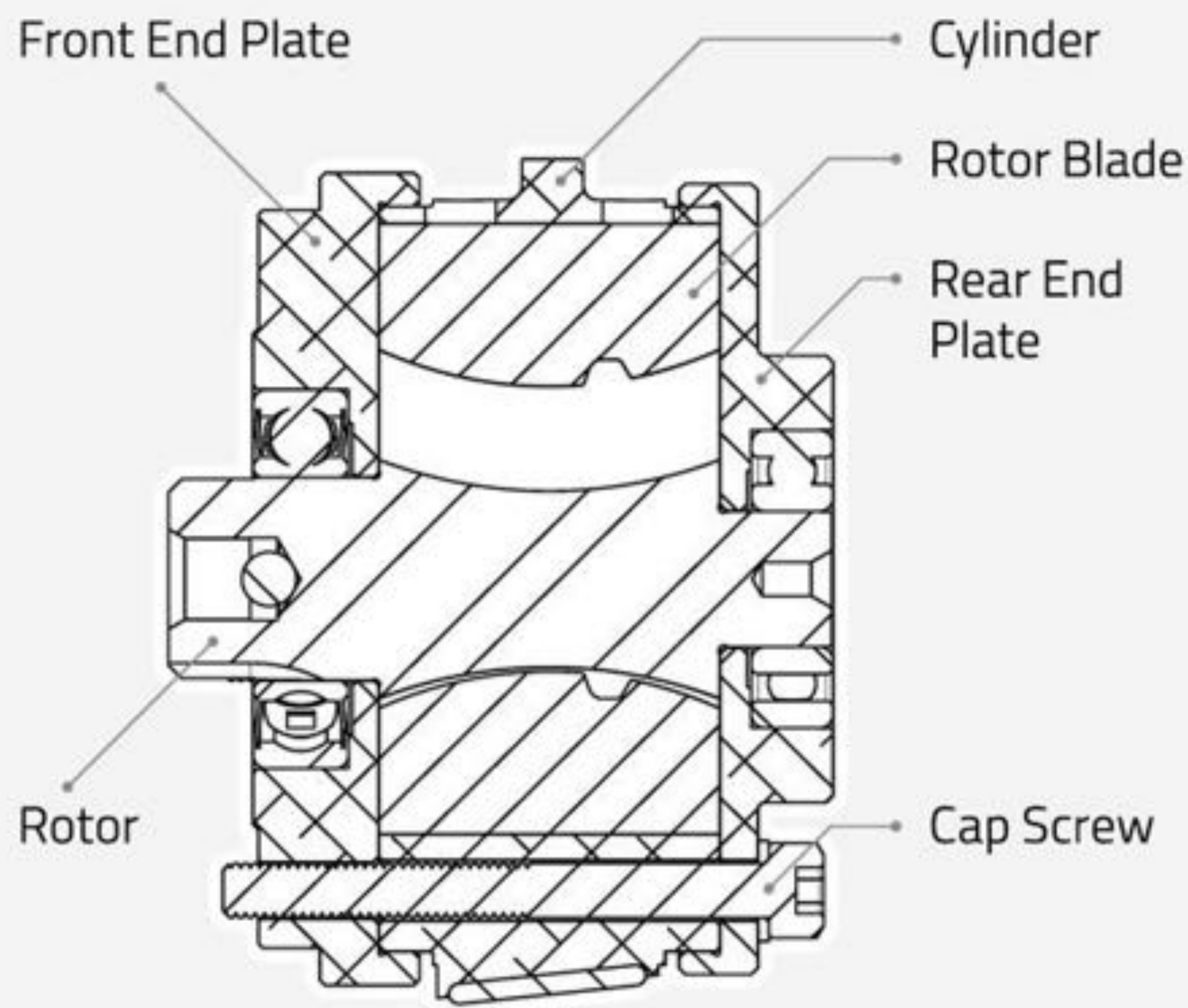
**STEP 1**  
Push pin

**STEP 2**  
Pull tab and insert to the other side



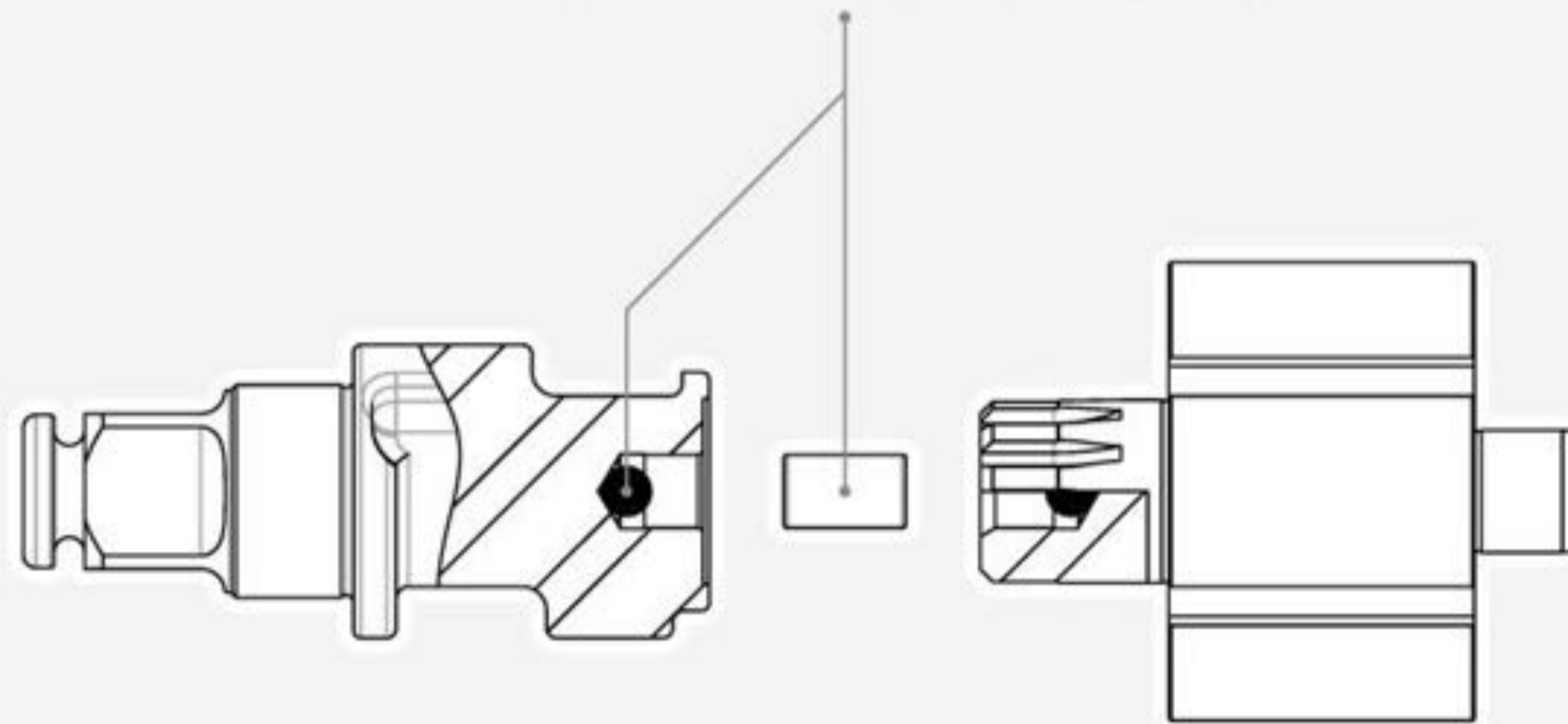
Busting Torque  
—  
2,600Nm

TPT-2627



The air motor is a sub assembly is held together with a cap screw, ensuring no misalignment of the end plates — reducing end plate wear, while ensuring no loss of motor power due to air leakage.

The steel ball reduces wear. The pin engages in a hole at the back of the anvil and also engages in a hole at the front of the rotor spline ensuring perfect concentricity between the rotor and MECHONEER® anvil.



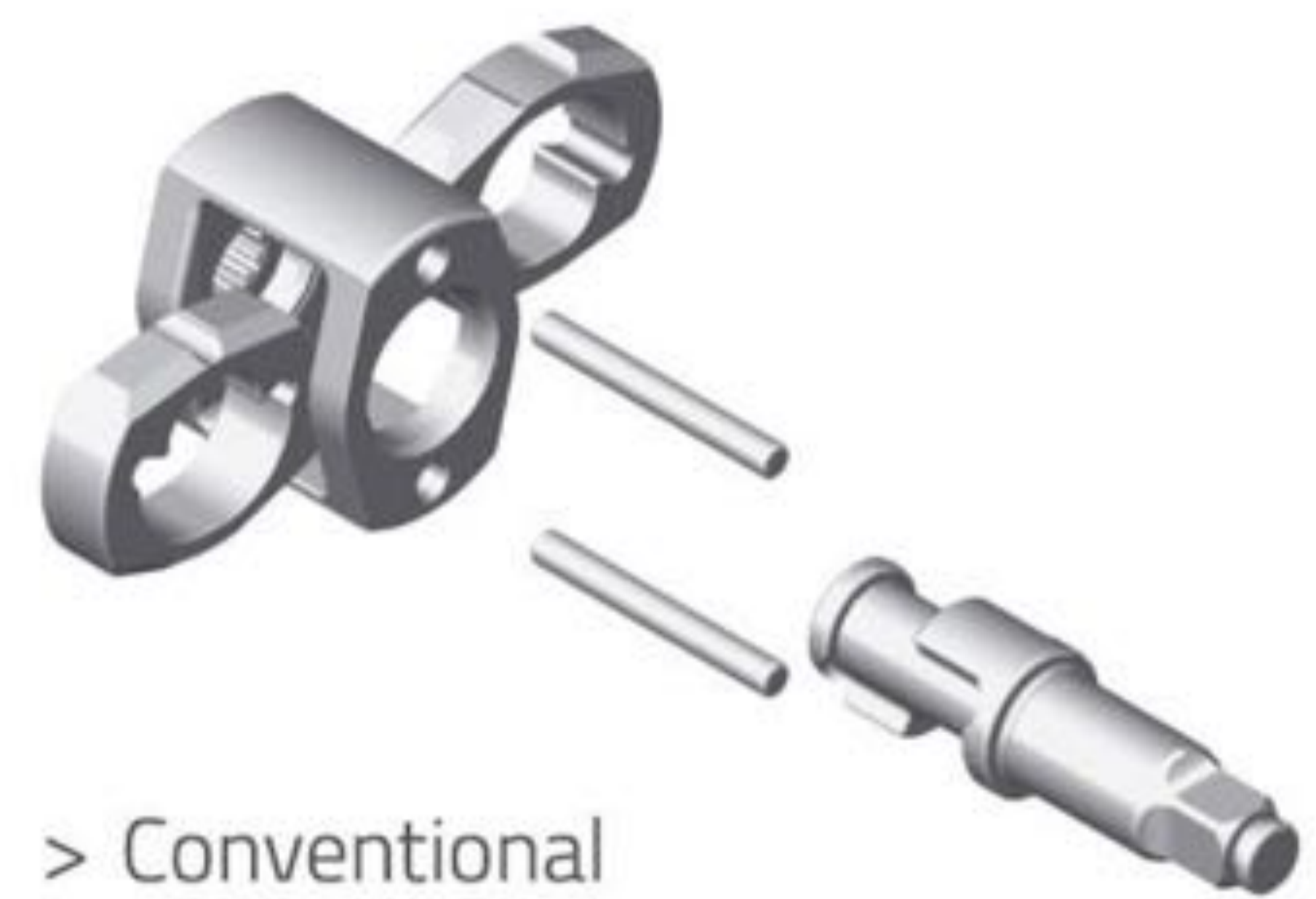
## MOTOR DESIGN

### SUMMARY MECHONEER® BENEFITS

With no pins passing through the hammer cage, the cage is strengthened providing pin-less reliability with twin hammer blow frequency.

The pin-less action, removal of pins and the concentricity with the rotor reduces vibration and further increases reliability.

Sealing the mechanism with an end plate eliminates the characteristic of all twin hammer, rocking dog, pin-less hammer, jumbo hammer mechanisms; where the centrifugal force throws the grease to the inside of the hammer case, causing premature hammer and anvil wear.



> Conventional twin hammer



> Conventional pin-less

# MECHONEER®

## Premium Series

---

MECHONEER® Drive System features a new patent pending impact mechanism, reducing vibration by up to 40% and noise up to 10%, and increasing life by 80% and unbeatable power to weight ratio.

---



## TRANMAX MACHINERY CO., LTD.

No.130 Renhuagong 1st Road, Dali Dist,  
Taichung City 412, TAIWAN, R.O.C.

T +886-4-2495 2609    F +886-4-2495 2647