

JÖRG 5302

Swaging machine

Manually operated swaging machine

A convenient machine to work with, and of excellent Jörg quality. Fully welded steel construction.

All parts are carefully crafted. Made especially sturdy and reliable.

The upper shaft is manually operated and can be adjusted to the desired profile depth. The lower shaft is axial adjustable for the alignment of the rolls.

The foot offers space to store some rolls in. Rolls of the precursor, the JÖRG model 5300, are compatible.



Included as standard

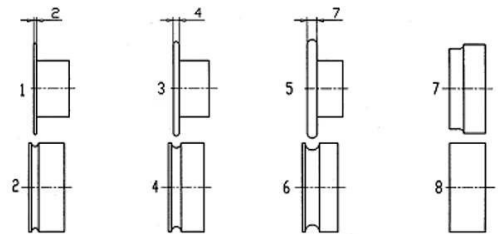
A double gauge

8 Standard rolls (No. 1 - 8)

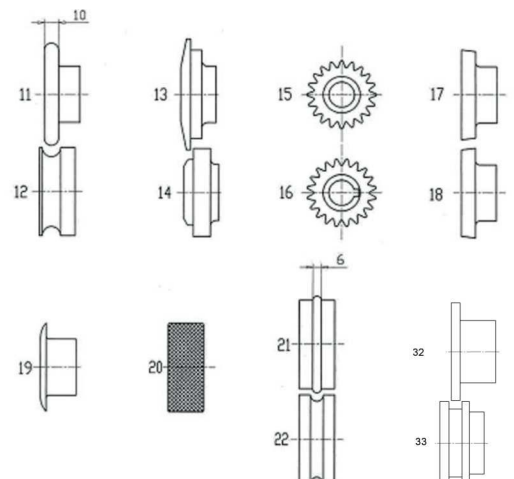


Stand for permanent or mobile setup

Standard rolls:



Special rolls:



Technical details

- Capacity: 1,0 mm in St 37
- Working depth: max. 150 mm
- Centre distance rolls: 46 mm

Options

- Heavy stand, 81 cm high (40 kg)
- Light stand, triangular, 81 cm high
- Shrinking rolls

JÖRG 5312 electric Swaging machine

Motorized swaging machine

A compact swaging machine with variable speed, of trusted Jörg quality. Fully welded steel construction.

All parts are carefully crafted. Made especially ridged and reliable.

The lower shaft is axial adjustable for the alignment of the rolls. The upper shaft can be adjusted to the desired profile depth. The stand offers space to store some rolls in. Rolls of the precursor, the JÖRG model 5300, are compatible.

With a 230 Volt connection, allowing it to be used in the workshop and on the job site.

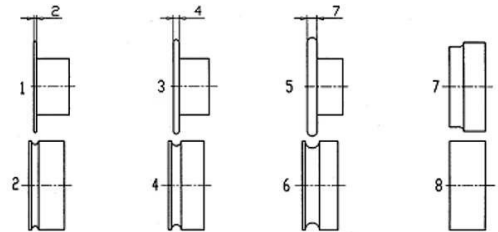
Included as standard

- A double gauge
- 8 Standard rolls (No. 1 - 8)

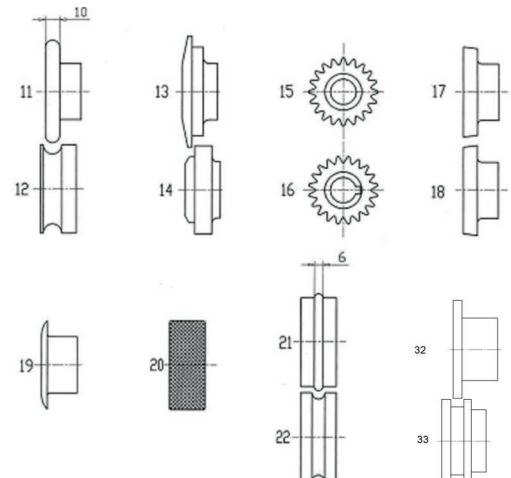


230V with frequency control for variable rotating speed

Standard rolls:



Special rolls:



Technical details

- Capacity: 1,0 mm in St 37
- Working depth: max. 150 mm
- Centre distance rolls: 46 mm

Optionss

- Shrinking rolls
- Cutting rolls
- Special rolls

JÖRG 5330 IsoProf Swaging machine

In the development of this swaging machine, a lot of attention went into operating convenience, productivity, power, and quality. The 5330 is mainly suitable for the multi-faceted and intensive insulation cladding.

Operating convenience

- Gauge adjustment by dial
- Stand suitable for pallet truck transport
- Variable speed due to frequency control
- With rack for hanging 18 rolls and the key on the swaging machine
- Power supply 230 V

Productivity and power

- Adjustable speed 3,5 - 20 m/min
- Shaft diameter: Ø 35 mm
- Motor: 0,75 kW

Quality

- Sturdy construction
- Self-greasing bearings
- Heavy shaft
- Made in The Netherlands

Standard version

- Hardened gauge
- Six sets of rolls
- Hanging rack
- Rolls of JÖRG 5310 are compatible



Dial adjusted gauge



Stand suitable for moving the machine by pallet truck



Convex gauge

Key and rolls hung orderly



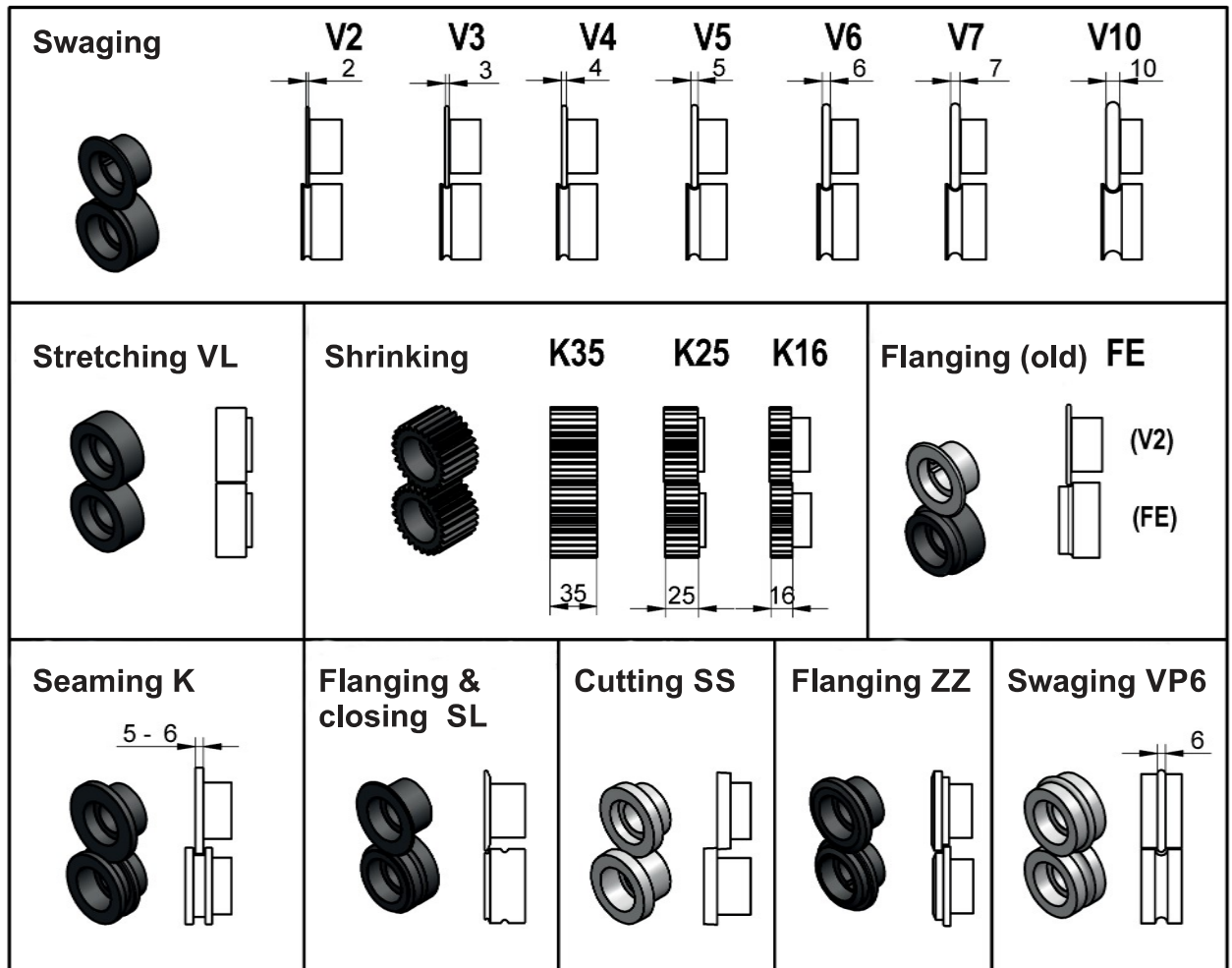
Technical details

- Capacity: 1,6 mm in St 37, 1,0 mm in Stainless steel
- Working depth: 120 mm
- Centre distance rolls: 56 mm
- Variable working speed: 3,5 - 20 m/min

Options

- Various rolls: see overview on rear
- Open gauge plate
- Convex gauge plate
- Support for making flange sides
- High speed, high power version

Rolls JÖRG 5330 swaging machine Isoprof (Ø 56 mm)



5310-26-070 + 080	Swaging rolls 4 mm	v4	Swaging	x
5310-26-072 + 082	Swaging rolls 5 mm	V5	Swaging	
5310-26-073 + 083	Swaging rolls 6 mm	V6	Swaging	
5310-26-050 + 060	Swaging rolls 7 mm	V7	Swaging	X
5310-26-030 + 040	Swaging rolls 10 mm	V10	Swaging	
5310-26-090 + 100	Flanging rolls	Z	Flanging	
5310-26-020	Flanging roll	FE	Flanging	
5310-26-150 + 140	Shrinking rolls 35 mm	K35	Shrinking	
5310-26-151 + 141	Shrinking rolls 25 mm	K25	Shrinking	
5310-26-152 + 142	Shrinking rolls 16 mm	K16	Shrinking	
5310-26-153 + 143	Shrinking rolls 50 mm	K50	Shrinking	
5310-26-160 + 170	Cutting rolls	S	Cutting	
5310-26-180 + 185	Closing rolls	SL	Flanging + closing	X
5310-26-130	Flat rolls	VL	Stretching	X
	Flat roll B=***mm		Stretching B = ***mm	
5310-26-190	Flat roll Knurled	VLK	Stretching	

JÖRG 5343-V Swaging machine

Motorized swaging machine with variable speed!

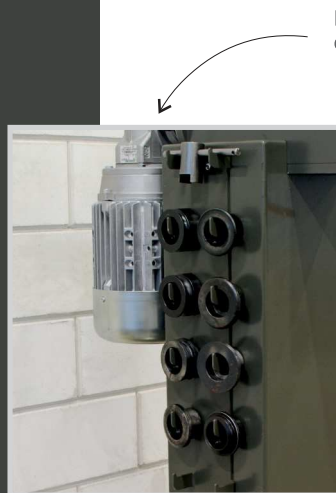
A strong, welded frame. All parts are carefully crafted. Made especially sturdy and reliable. Powered by a 0,75 kW AC motor. Complete with double foot pedal, adjustable gauge, hardened front plate and 8 rolls. Axial adjusting of the upper roll with gear rack. Spindle-controlled height adjustment of the upper roll.

Variable speed, frequency controlled

Dial operated speed control from 3,5 to 20 m/min. The frequency control gives the machine controllable Soft-start and Quick-stop.

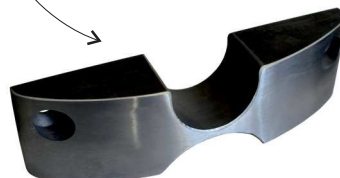
Standard version includes:

- Double foot pedal
- 1 Combined open and closed adjustable gauge
- 8 Standard rolls
- Stand suitable for pallet truck transport
- Hanging rack for 18 rolls and a key

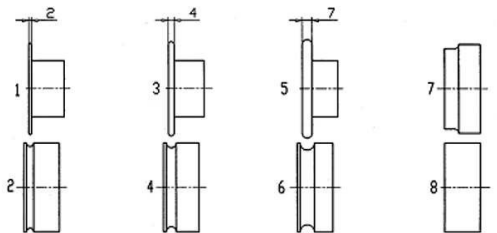


Rolls and key orderly hung

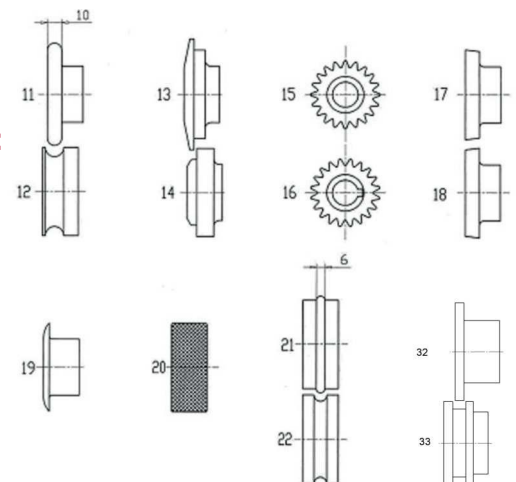
Convex gauge



Standard rolls:



Special rolls:



Technical details

- Capacity: 1,6 mm in St 37, 1,0 mm in Stainless Steel, 2 mm in Aluminium
- Troath depth: 240 mm
- Centre distance of the rolls: 63 mm
- Speed: 3.5 - 20 m/min adjustable

Options

- Pneumatic clamping of upper shaft
- Time relay for automatic operation
- Shrinking rolls, cutting rolls and special rolls
- Open gauge plate
- Convex gauge



JÖRG 5353 Swaging machine

Strong motorized swaging machine with variable speed!

Fully welded steel construction. All parts are carefully crafted. Heavy Duty execution and reliable version.

Stronger motor, sturdy shafts, and stronger bearings. The upper shaft can be adjusted to change the working depth as well as axial adjusted for profile rolls, cutting rolls, etc.

Variable speed through frequency control

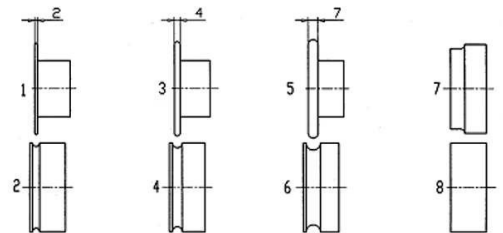
Working speed of 3,5 - 20 m/min, adjustable by dial. The frequency control gives the machine a controllable Soft-start and Quick-stop.

Standard version

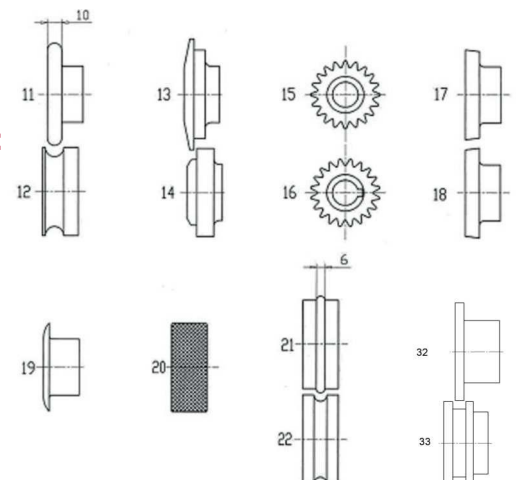
- Double foot pedal L + R
- 1 Open adjustable back gauge
- 1 Closed, hardened back gauge
- 8 Standard rolls



Standard rolls:



Special rolls:



Stand suitable to move the machine on a pallet truck



Convex stop



Technical details

- Capacity: 1,8 mm in St 37, 1,25 mm in Stainless Steel, 2,5 mm in Aluminium
- Working depth: 240 mm
- Centre distance of the rolls: 63 mm
- Variable working speed: 3,5 - 20 m/min

Options

- Pneumatic/hydraulic clamping
- Time relays for automatic operation
- Shrinking rolls, Cutting rolls, Special Rolls
- Stand plate, suitable for pallet truck transport
- Open stop plate