

Ref.2940 GYRO

A compact and extremely versatile rigging system featuring our proprietary triple swivel design.

The Gyro swivel rotates at all three connection points which allows for countless possibilities of connection between different elements that need freedom of movement.

Just a few possibilities include: self-orienting multi-anchoring, multiple connections to a harness, preventing twisting in Y lanyards, crosshauling operations, Tyrolean traverses, complex rescue procedures.

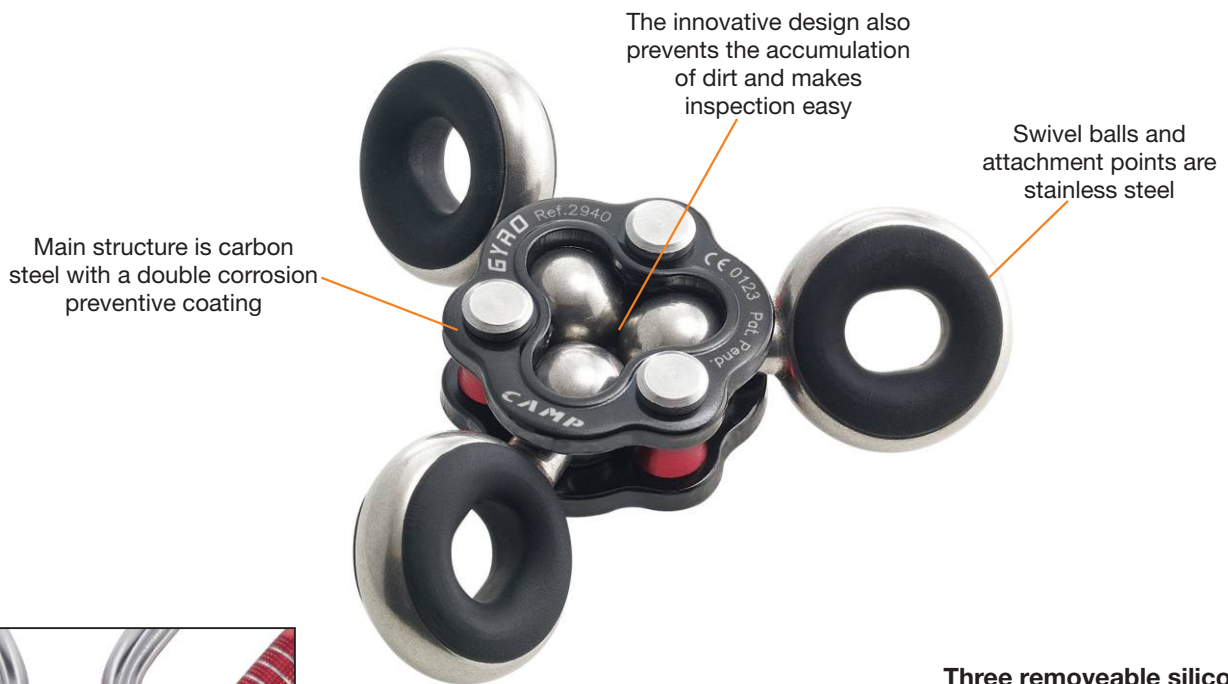
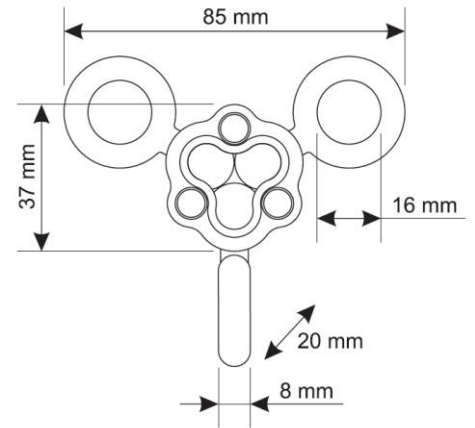
The innovative design also prevents the accumulation of dirt and makes inspection easy.

Main structure is carbon steel with a double corrosion preventive coating. Swivel balls and attachment points are stainless steel.

Includes three removeable silicon anti-rotation inserts.

Working load limit: 3 kN. Minimum breaking strength: 26 kN.

ROPE ACCESS TREE CLIMBING TEAM RESCUE CONFINED



Three removeable silicon anti-rotation inserts



Ref.	Product name Nombre del producto	Weight Peso		Strength Resistencia	Working load Max Carga de trabajo Max	Hole diameter Diámetro del orificio	CE	ANSI Z359.12	EN
		g	oz	kN	kg	mm			
2940	GYRO	155	5,5	26	300	3 x ø16	•	•	•