

The TurboLock is a progress capture pulley designed to be exceptionally compact, robust and efficient.

Specifically contoured for operation with one hand. The locking mechanism for opening and closing allows the rope to be inserted without removing the device from the anchor and it cannot be opened when the pulley is loaded to prevent accidental openings during use. Toothed cam is designed for an immediate and strong grab on ropes from 8 to 13 mm.

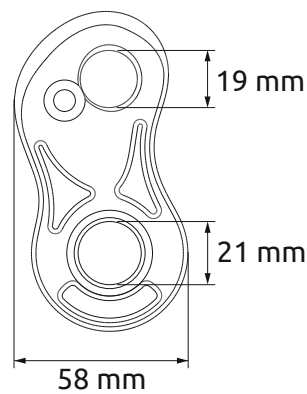
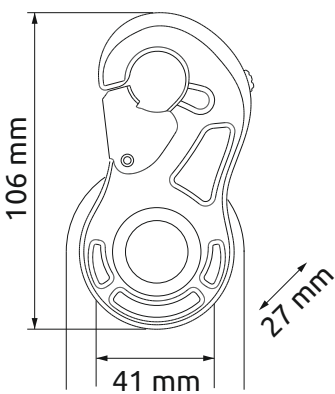
The cam is enabled and disabled with a switch that is protected inside the flanges to prevent accidental activations. One movement to open the cam for easier insertion or removal of the rope or to use the device as a non-locking simple pulley. Two movements to enable the cam. The two attachment points (main attachment point and the becket hole) allow for the rotation of carabiners for maximum ease of use.

Large diameter sheave with sealed ball bearings for very high efficiency (95%).

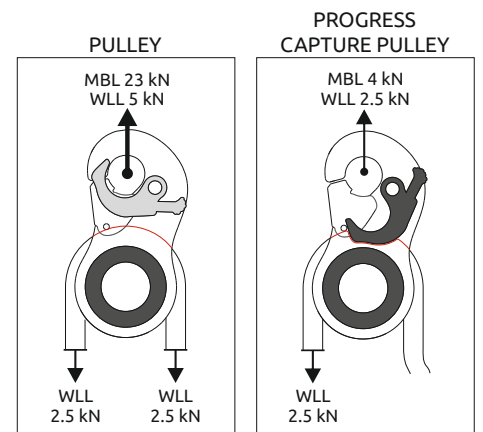
Robust construction features hot forged side plates, precision milled aluminum alloy sheave, and stainless steel cam, rivets and pins.



TURBOLOCK BLACK
318503



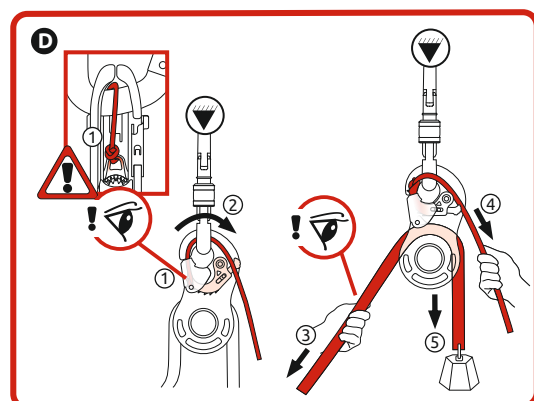
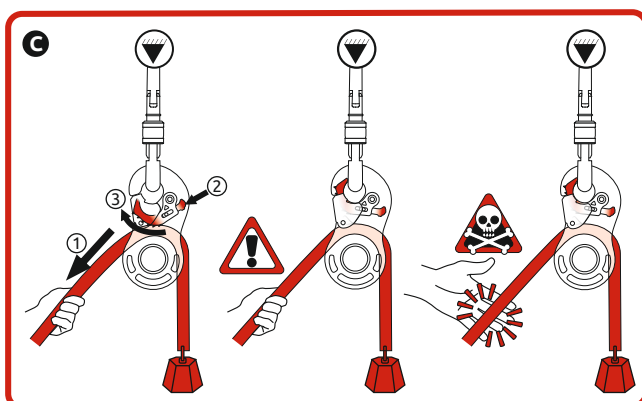
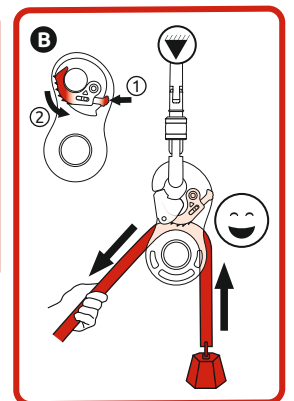
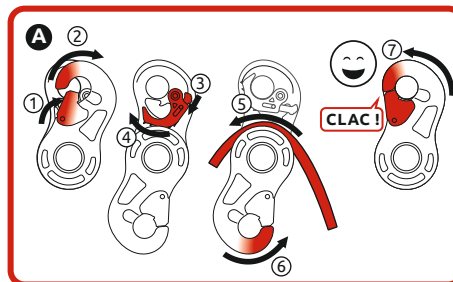
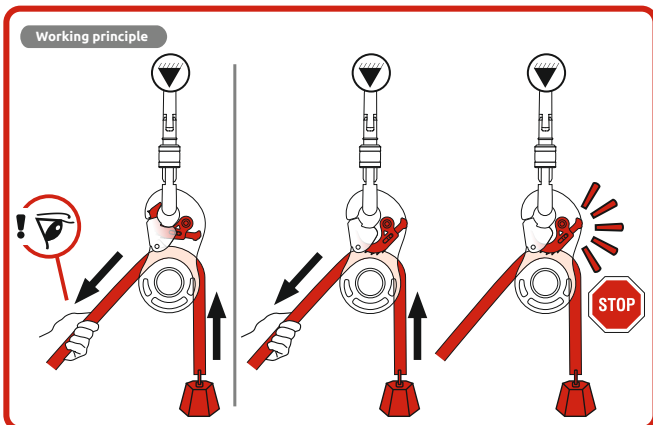
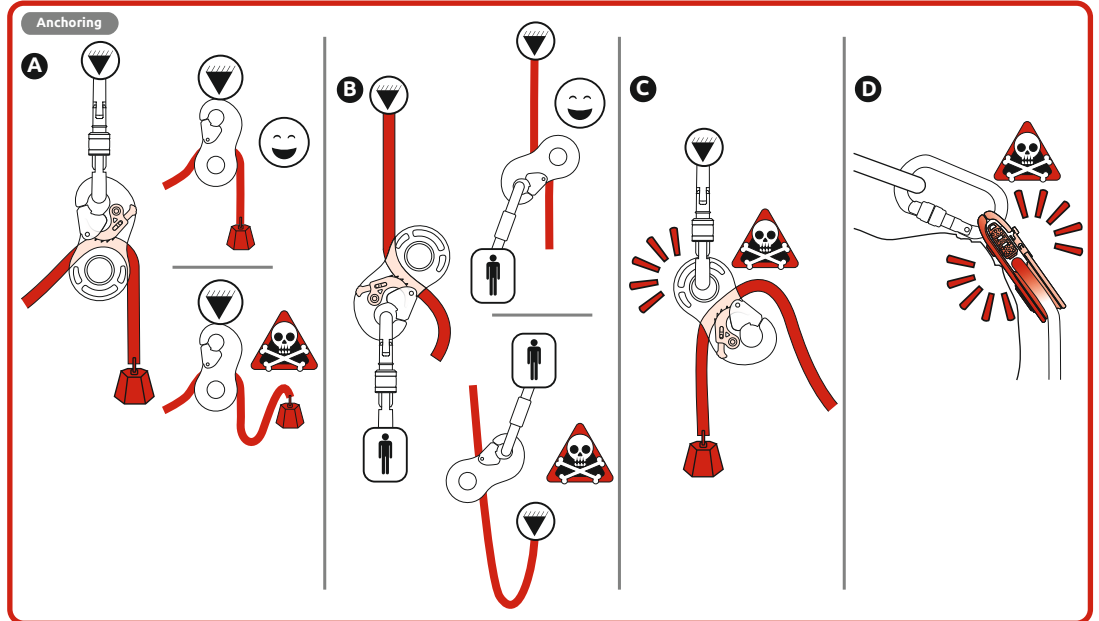
**Product video
HERE**



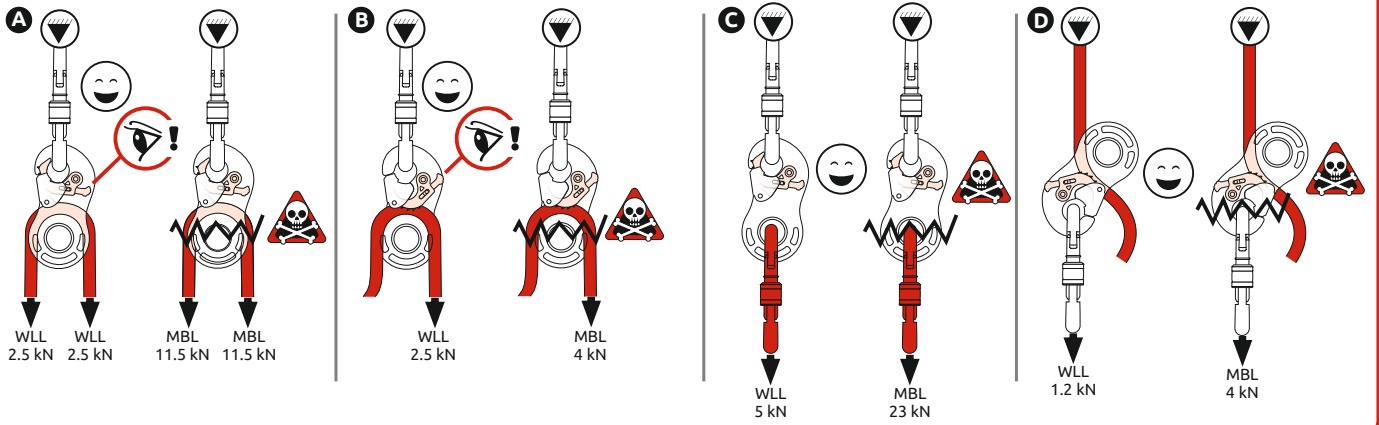
Ref.	Product name	Weight		Inner sheave diameter	Rope diameter	Working load max	Breaking load	CE			EAC
		g	oz					mm	mm	kN	
3185	TURBOLOCK	198	7.0	41	8 - 13	2.5 kN x 2 = 5 kN	23	•	•	•	•
318503	TURBOLOCK BLACK										

- 1 The locking mechanism for opening and closing allows the rope to be inserted without removing the device from the anchor and it cannot be opened when the pulley is loaded to prevent accidental openings during use.
- 2 Toothed cam is designed for an immediate and strong grab on ropes from 8 to 13 mm.
- 3 The cam is enabled and disabled with a switch that is protected inside the flanges to prevent accidental activations. One movement to open the cam for easier insertion or removal of the rope or to use the device as a non-locking simple pulley. Two movements to enable the cam.
- 4 The two attachment points allow for the rotation of carabiners for maximum ease of use (main attachment point and the becket hole)
- 5 Large diameter sheave with sealed ball bearings for very high efficiency (95%).
- 6 Robust construction features hot forged side plates, precision milled aluminum alloy sheave, and stainless steel cam, rivets and pins.

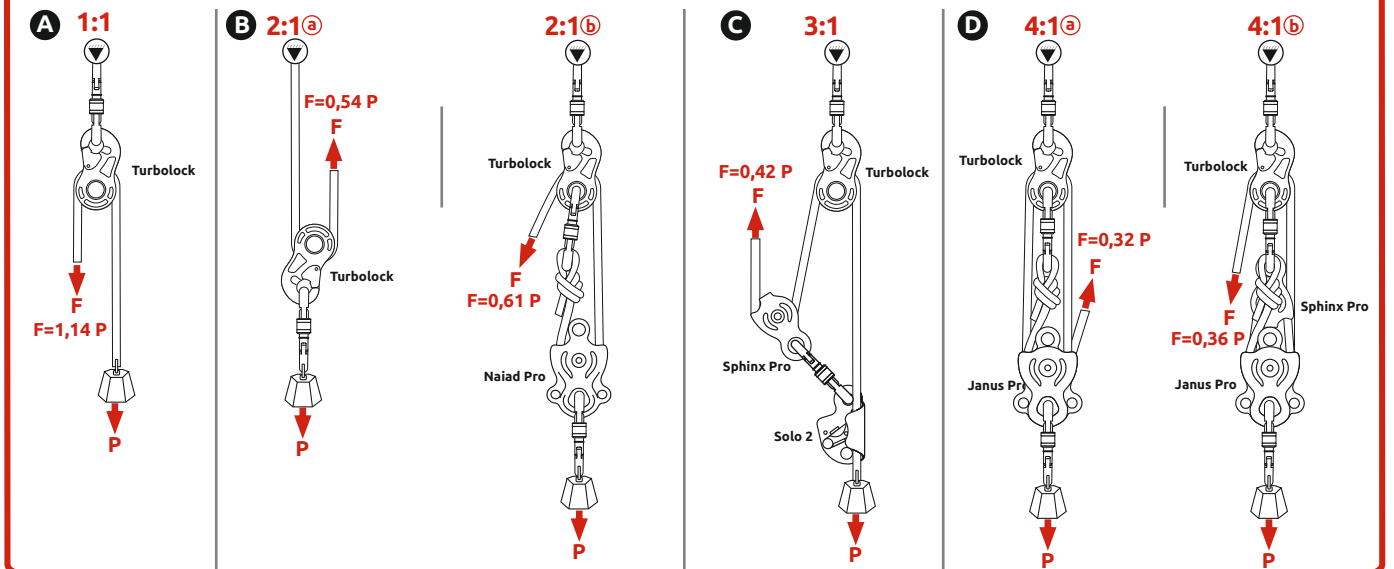




Resistance



Hauling systems



Use as EN 12841B / EN 567 ascender

