

SET-UP, USE AND MAINTENANCE INSTRUCTIONS FOR BRENT® MINI SRC

Use Drawings to Identify Parts and Procedures

SET UP:

1. Lift machine out of box. The legs can be easily screwed in using a pipe wrench. A strap-type pipe wrench (such as those used for chromed pipes) will not scratch off the paint, or use a rag around the pipe wrench jaws.
2. Bolt the wooden crank handle to the crank arm with the lock-nut. Your machine is now ready for use.

USE:

1. To use the machine, crank the top roller all the way to the end of the machine where the heavy top canvas is attached to the bed of the machine. Flip the heavy canvas back over the roller and remove or add shims until you have the slab thickness you want (the space between the top shim and the roller). Make sure the top shim has its canvas covered side up (it is shipped canvas side down to protect it), so the clay won't stick to it.
2. Put the clay firmly up against the roller and lay the canvas back over the clay. Then just turn the handle. When the slab is rolled out, return the carriage to its original position and peel off the heavy canvas and lay it back over the roller. When returning the carriage don't slam it against the end as this can cause early cable breakage.
3. If you are using very wet clay or rolling a lot of slabs continuously, you may want extra canvas covered shims so that you can put in a dry one every few slabs without having to wait for one to dry. With extra canvas covered shims you can also remove the slab and top shim together and put another shim in so that the machine can be used continuously. These shims are available from brent®. It is also recommended that an additional piece of loose canvas be placed on top of shims before rolling clay to make slabs easier to remove. The canvas will also help prevent moisture from penetrating the shims resulting in clay sticking to the shims after repeated use. When using loose canvas, be sure to keep it taught to eliminate wrinkles which will cut into the clay slab.

MAINTENANCE and REPLACING CABLES

MINI SRC

1. Normal maintenance for the MINI SRC consists of periodically checking the cables for looseness. Crank the rollers to the end of the machine that is opposite from the cable adjustment bolt (see illustration #1, page 3). Pinch the two cables together half way between the roller and the end. You should not be able to squeeze them closer than one inch. If they go closer they are too loose. Tighten them by tightening the cable adjustment nut (see page 3).
2. If the cables become frayed or worn you can obtain new ones from brent®. The correct cable wrap is shown on the drawing page. First remove the shims and the particle board bed and then tape or tie the two rollers together to hold them in place while removing the old cables. Be sure the rollers are perpendicular to the frame. Wrap the handle side as shown starting with the lower cable at the end opposite the cable adjustment. The opposite side is a mirror image of the one shown in the drawings. When the cables are in place, take up the slack with the cable adjustment bolt, but do not tighten very tightly. Now remove the tape and crank the rollers to one end and keep turning the crank until the bottom roller hits the leg coupling on both sides. The rollers are now squared with the frame and you can tighten the cables as described in Step 1. Re-check the tension after rolling a few slabs.

ILLUSTRATION #1

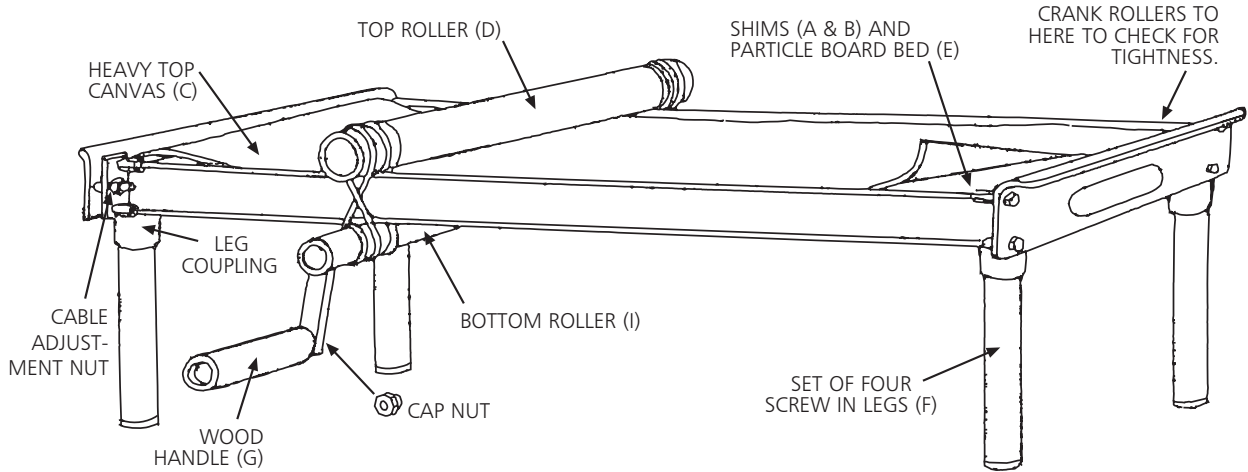
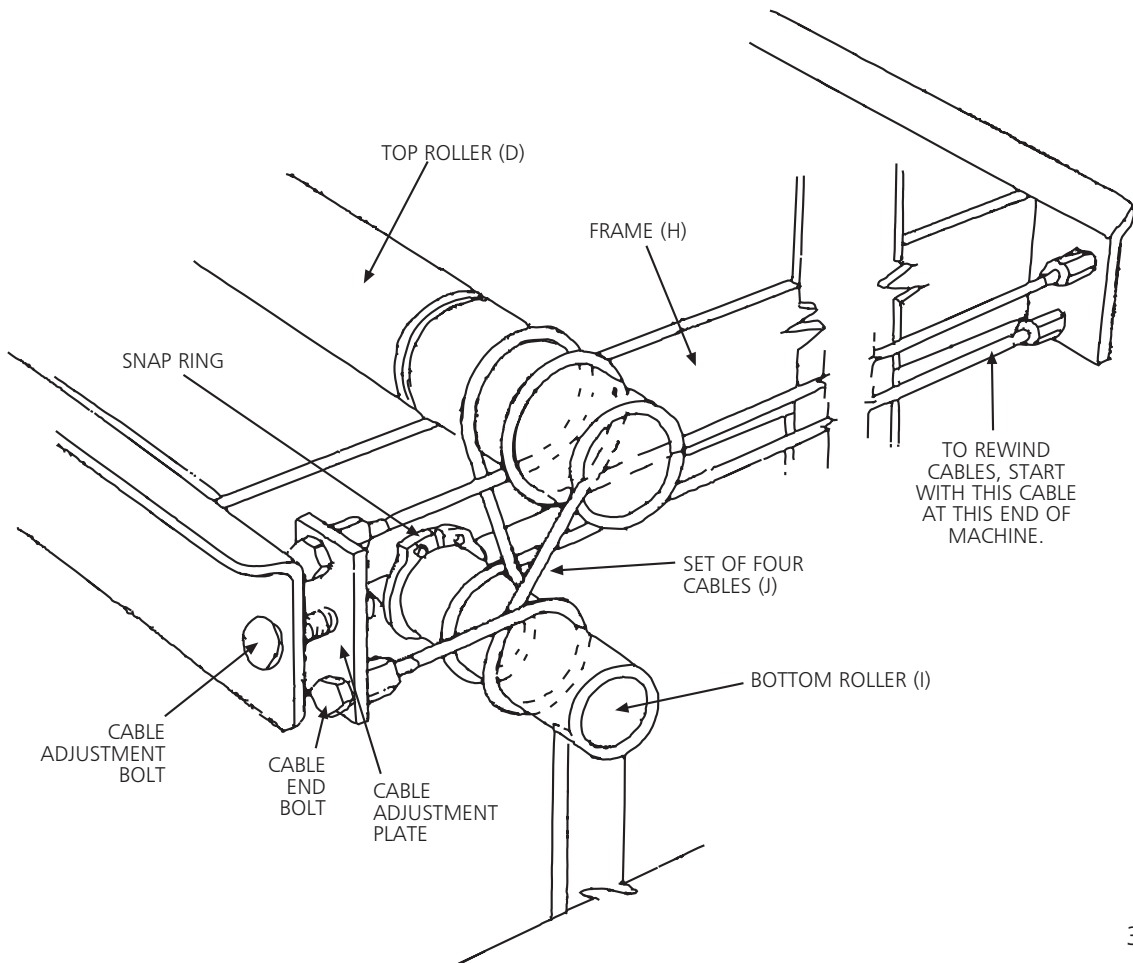


ILLUSTRATION #2



	Part No.	Part Description
A	22748H	1/4" Shims with Canvas
B	22747G	1/8" Shims with Canvas
C	22688G	Heavy Top Canvas
D	22705F	Top Roller
E	22697S	1" Particle Board Bed
F	22745E	Set of 4 Screw in Legs
G	22654R	Wood Handle
H	22750K	Frame
I	22752L	Bottom Roller
J	22681X	Set of 4 Cables

