

F4-HF748-RF-BE

Headworn Microphone

HF-748 är ett professionellt headset med riktad mikrofon som har frekvensgång och karaktär som passar till de flesta röstapplikationer. Mikrofonen har en diskret design med behaglig passform som är enkel att ta på och av. Den har en flexibel mikrofonarm som gör att användaren kan placera mikrofonen för optimalt ljud och minimera risken för rundgång. Mikrofonen har en prydlig kabeldragning med en smart avlastning för att minimera slitagepåverkan och som placeras vid nacken för minimal synlighet.

HF748 är kontakterad med en låsbar 3,5 mm plugg anpassad för Sennheiser. Mikrofonhuvudet är försedd med två hullingar på varsin sida, så puffskyddet aldrig lossnar oavsiktligt. Mikrofonarmen är även försedd med svettdroppring, för att se till att svett inte rinner in i mikrofonen.



Specifikationer:

Microphone:

Generating Element	Electret Condenser
Polar Pattern	Cardioid
Frequency Response	50 Hz to 18 kHz
Sensitivity	-53 dB re 1V/Pa @ 1 kHz
Maximum Input SPL	120 dB (at mic input)
Noise Level	32 dB "A" Weighted
Dynamic Range	88 dB (based on a 9V supply)
Signal/Noise Ration	62 dB @ 94 dB SPL
Bias Voltage	1.5 V to 9.0 V

General:

Wire Configuration 3 – Wire	Red: B+ Clear: Signal Shield: GND
Cable Length	1.5 m
Weight	18 grams (without connector)
Color	Beige
Standard Accessories	Windscreen, cable clip



SpeechLine Digital Wireless SL Bodypack DW

FEATURES

- Automatic frequency and interference management
- Lockable 3.5 mm jack socket
- Clear and easy focused user interface
- Long operation time (up to 15 hours)
- Advanced power management and Li-Ion rechargeables
- Secure 256 bit AES encryption
- Remote controllable

The compact but robust SL Bodypack DW is optimized for speech in presentations or lectures where every word matters. It is compatible with all Sennheiser microphones such as SL Headmic 1 or MKE 1. Thanks to bi-directional communication between transmitter and receiver, no settings need to be adjusted on the transmitter. The automatic frequency and interference management allows convenient and reliable operation. The LC display provides the link name, battery status and reception quality. The easy-to-access mute-slider makes the use of the microphone very convenient. The SL Bodypack DW comes with a rechargeable Li-Ion battery with external charging contacts - for easy charging with the CHG 2 - and a USB socket.



SPECIFICATIONS

AF frequency response	20 to 20,000 Hz
Dynamic range	> 120 dB(A)
THD (1 kHz)	typ. 0.1 %
Audio sampling	24 bit/48 kHz
Signal-to-noise ratio	> 90 dB(A)
Encryption	AES 256
RF frequency ranges	EU: 1,880 to 1,900 MHz USA: 1,920 to 1,930 MHz Brazil: 1,910 to 1,920 MHz Taiwan: 1,880 to 1,895 MHz Japan: 1,893 to 1,906 MHz
Modulation	GFSK with back channel
Transmission method	TDMA, space diversity
Latency	19 ms
Relative air humidity	max. 95 %
Temperature range*	Operation: -10 °C to 55 °C (14 °F to 131 °F) Storage: -20 °C to 70 °C (-4 °F to 158 °F)

* The temperature range is influenced by the battery characteristics

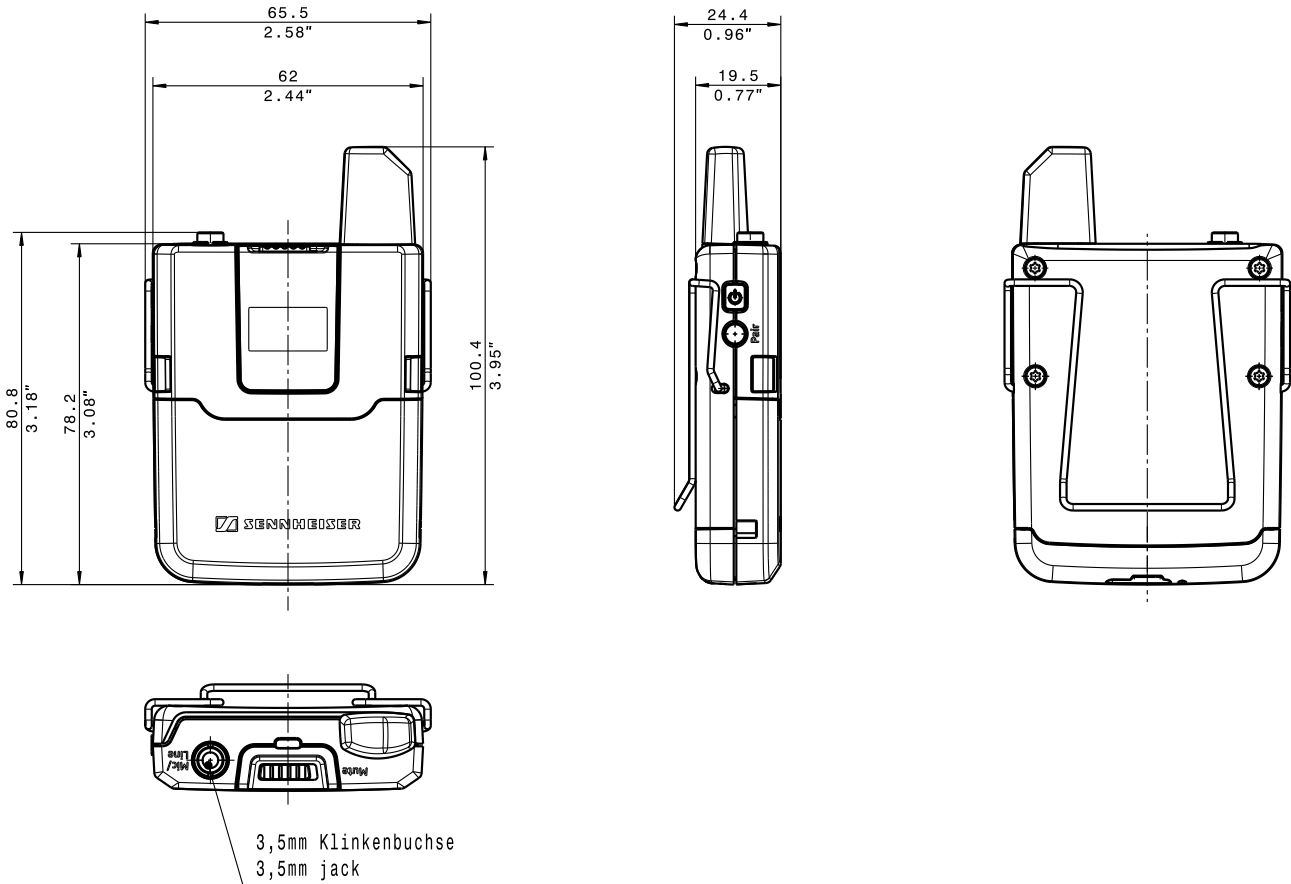
RF output power	adaptive, up to 250 mW (country-specific)	
AF frequency response	Mic:	50 to 20,000 Hz
	Line:	20 to 20,000 Hz
Max. input level	Mic:	2.2 V RMS
	Line:	3.3 V RMS
Line input impedance	1 MΩ	
Input sensitivity	automatic sensitivity adjustment	
Power supply	Accupack:	BA 30 (Li-Ion, 3.7 V)
	Batteries**:	2 x AA size battery (1.5 V)
Operating time	Accupack	typ. 15 h
	Batteries**:	typ. 11 h
AF connection socket	3.5 mm jack socket, lockable	
Weight (w/o accupack)	approx. 88 g	

** optional accessory



SpeechLine Digital Wireless SL Bodypack DW

DIMENSIONS



ARCHITECT'S SPECIFICATION

The bodypack transmitter shall be for use with a companion receiver as part of a wireless RF transmission system and shall operate in the license-free 1.9 GHz band (frequency ranges shall be from 1,880 to 1,930 MHz depending on country-specific regulations).

The transmitter shall feature an LC display showing the name of the wireless link, battery status, RF output power, and reception quality.

The transmitter's microphone/line input shall utilize a lockable 3.5 mm jack socket. The AF frequency response shall range from 50 – 20,000 Hz (mic) or from 20 – 20,000 Hz (line). Maximum input level shall be 2.2 Vrms (mic) or 3.3 Vrms (line). Input impedance shall be 1 MΩ (line). The dynamic range shall be > 120 dB(A). Total harmonic distortion (THD) at 1 kHz shall be typical 0.1 %. Signal-to-noise ratio shall be > 90 dB(A). RF output power shall be adaptive and up to 250 mW (country-specific). The transmitter shall have automatic sensitivity adjustment.

The transmitter shall be powered by either one Sennheiser Lithium-Ion rechargeable accupack with a typical operating time of 15 hours or with an optional battery case for two 1.5V AA size batteries.

Dimensions shall be approximately 100 x 65 x 24 mm (3.94" x 2.56" x 0.94"). Weight (without accupack) shall be approximately 88 grams (3.10 oz). Operating temperature shall range from -10 °C to +55 °C (+14 °F to +131 °F).

The bodypack transmitter shall be the Sennheiser SL Bodypack DW.

The microphone suitable for use with the bodypack transmitter shall be a condenser type with an omni-directional pick-up pattern and a sensitivity of 5 mV/Pa. Maximum sound pressure level shall be 142 dB SPL. The clip-on microphone shall be the Sennheiser MKE 1 and the headset microphone shall be the Sennheiser SL Headmic 1.



SpeechLine Digital Wireless SL Bodypack DW

PRODUCT VARIANTS

SL BODYPACK DW-3-EU

Art. No. 505883

-3 EU variant

1,880 to 1,900 MHz

Europe & UK

India, Indonesia

Hong Kong, Singapore

Malaysia, Australia

SL BODYPACK DW-4-US

Art. No. 505900

-4 US variant

1,920 to 1,930 MHz

USA, Canada

Latin America

SL BODYPACK DW-5-US

Art. No. 505920

-5 US variant

1,893 to 1,906 MHz

Japan

SL BODYPACK DW-6-US

Art. No. 505910

-6 US variant

1,880 to 1,895 MHz

Taiwan

SL BODYPACK DW-7-BR

Art. No. 506704

-7 BR variant

1,910 to 1,920 MHz

Brazil

ACCESSORIES

CHG 2 EU	Charger	Art. No. 505980	NT 5-10U EU	USB DC Adapter	Art. No. 555085
CHG 2 UK	Charger	Art. No. 506218	NT 5-10U UK	USB DC Adapter	Art. No. 555086
CHG 2 US	Charger	Art. No. 506219	NT 5-10U US	USB DC Adapter	Art. No. 555087
CHG 2 AU	Charger	Art. No. 506220	NT 5-10U AU	USB DC Adapter	Art. No. 555088
CHG 4N EU	Charger	Art. No. 506800	BA 30	Accupack	Art. No. 505974
CHG 4N UK	Charger	Art. No. 506801			
CHG 4N US	Charger	Art. No. 506802			
CHG 4N AU	Charger	Art. No. 506803			