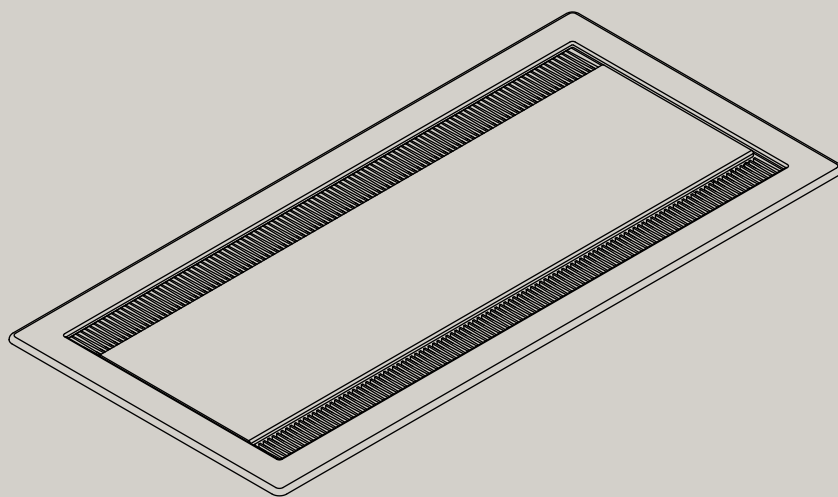


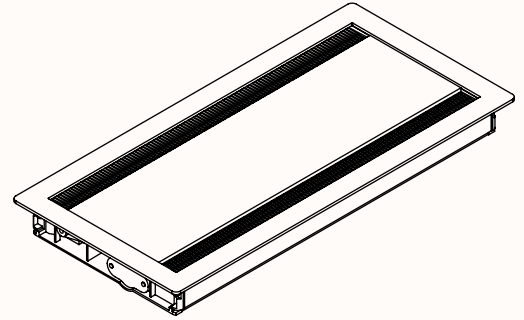
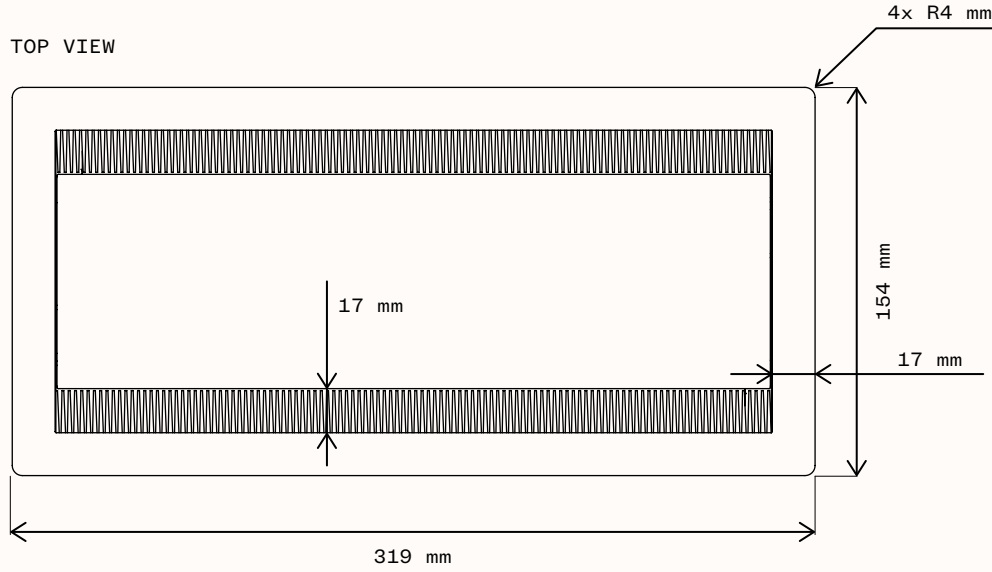
FLIP COVER⁰³



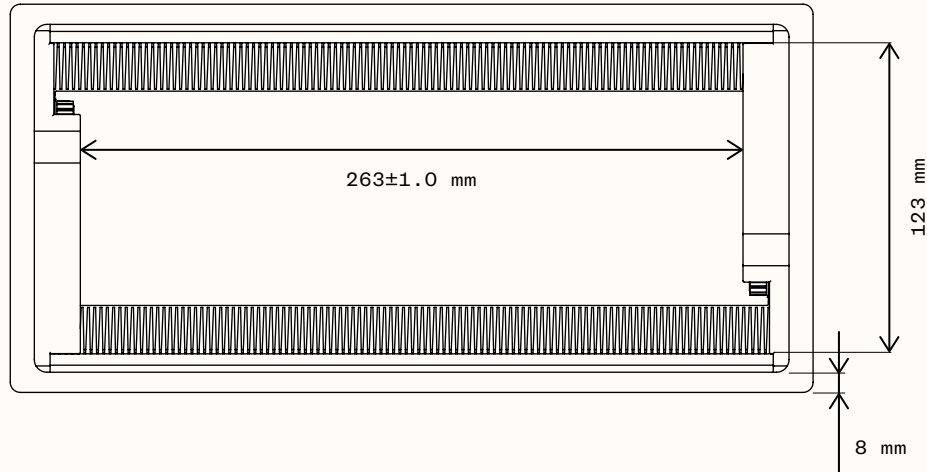
Dimensions

See user manual for assembly instructions.

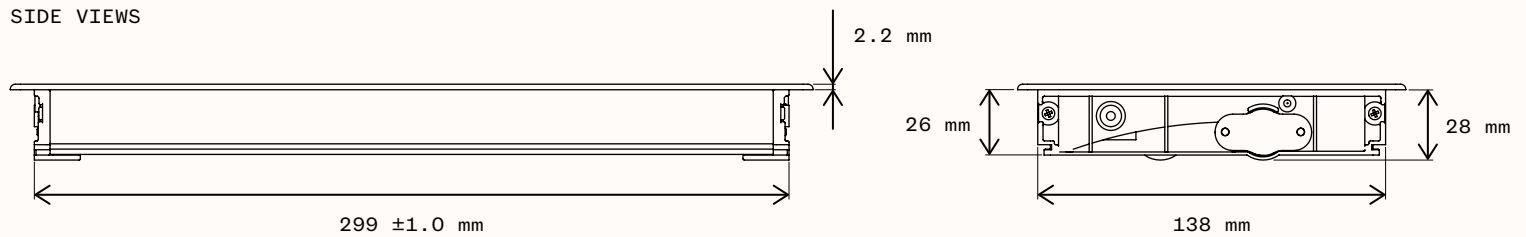
TOP VIEW



BOTTOM VIEW

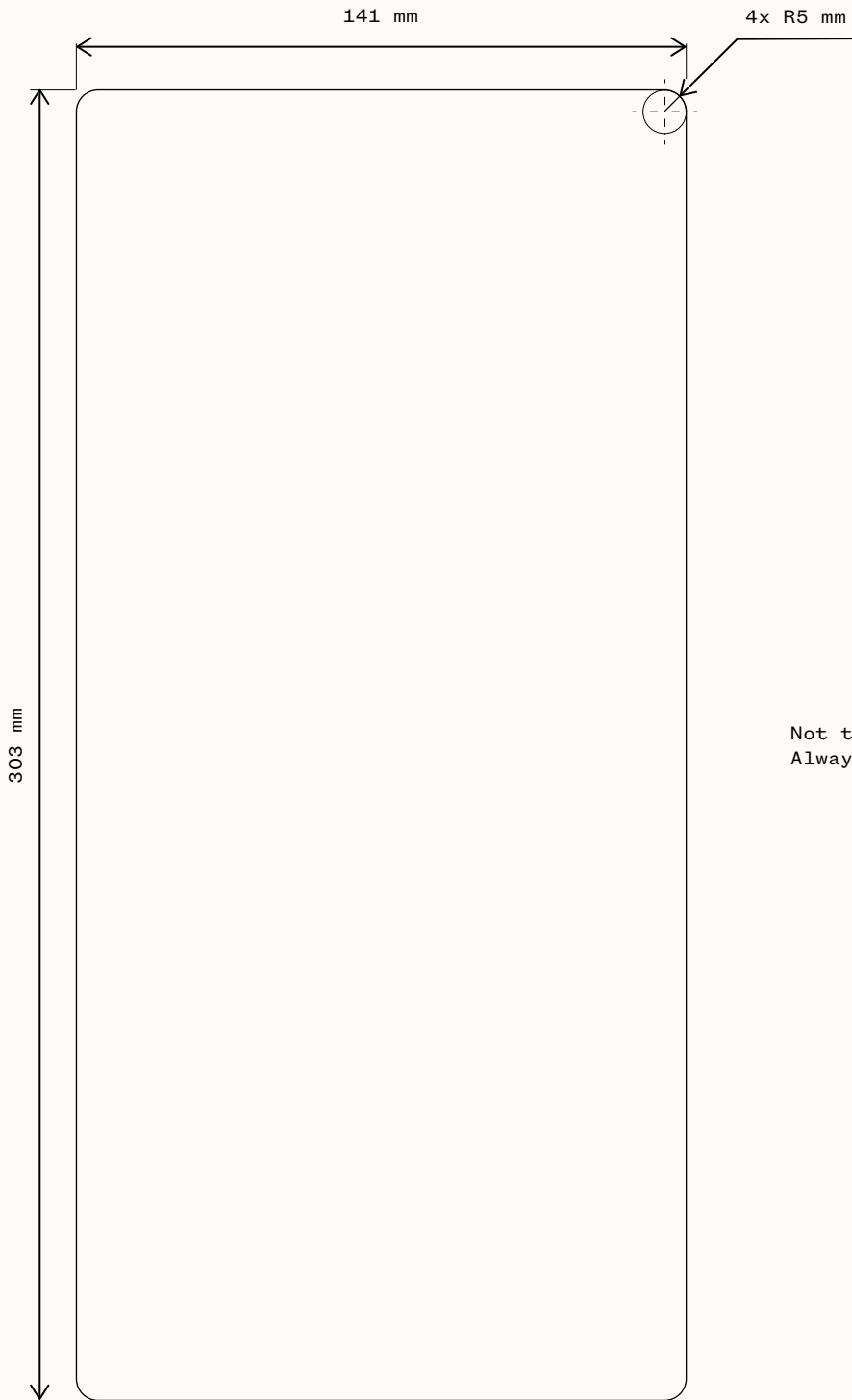


SIDE VIEWS



Hole cut dimensions

See user manual for assembly instructions.



Not to scale, not for manufacturing.
Always measure against actual product.

FLIP COVER⁰³

TABLE TOP DUAL CONFERENCE LID, L300 mm, BLACK/WHITE/SILVER

ART. NO

9715000301	WHITE	RAL9016 (GLOSS 45%)
9715000302	SILVER	RAL9006 (GLOSS 45%)
9715000309	BLACK	RAL9005 (GLOSS 45%)

Technical data

INTERFACE	DUAL SIDE OPENING
.....
MATERIAL	ALUMINIUM AND PLASTIC
.....
FINISH	MATTE POWDER COATING
.....
INSTALLATION HOLE SIZE	303 × 141 mm, 4× R5 mm
.....
OUTER DIMENSIONS	319 × 154 × 32 mm, 4× R4 mm
.....