

10" NETbox SOHO Network Wall Mounting Cabinets

Width: 312 mm
Depth: 300 mm

Construction Details

Framework- Top/Bottom Cases:

Multi Folded Automated Bending technology applied framework and top/bottom cases, provides a heavy duty structure results to high load capacity of: 20 kgs on wall nominal load.

Monoblock multi folded top and bottom cases resulted to a very heavy construction, tightly fixed to the framework with fixing hardware, fully modular system generated.

Top case integrated with a brushed cable entry point with w:145 mm x d:70 mm size allows proper cabling insertion as well preventing the dust entry.

Bottom case integrated with a PVC Gland plate w:145 mm x d:70 mm.

In case of cables to be inserted from bottom case, the brushed cable entry and PVC gland plate could be replacing each other.

The full length smoked, shatterproof, antistatic, 4,0 mm thickness glass with single point locking barrel lock is standard shipping configuration.

Front door opening direction is set right to left, but reversible to left to right at site with removing the hinge system. Hinge system is channel type with screws.

NETbox SOHO Network Wall cabinets has as an accessory sticky colour changing thermometer, range 20°C to 40°C as an accessory.

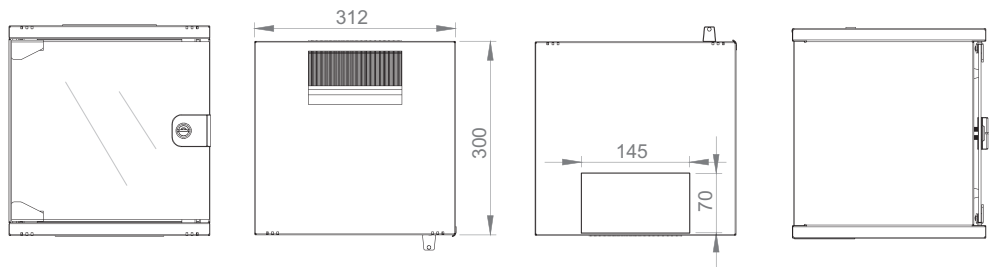
Available / Stocked NETbox SOHO Network Wall cabinets are in RAL 7035 Light Grey and Black RAL 9005 colors.



10" NETbox SOHO Network Wall Mounting Cabinets

Width: 312 mm
Depth: 300 mm

Construction Drawing

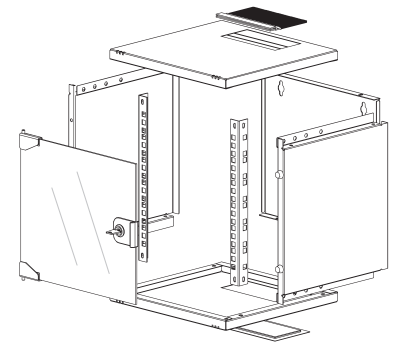


Front view

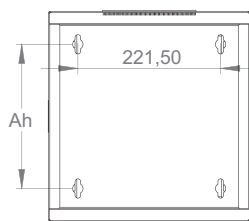
Top view

Bottom view

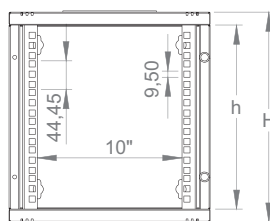
Side view



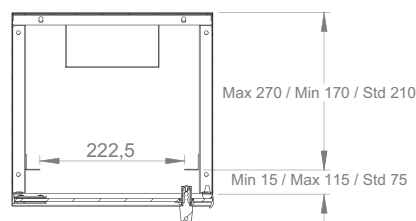
Exploded view



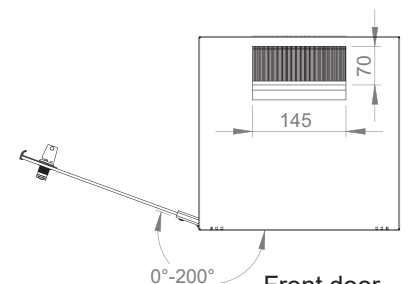
Rear view



Dimension in width and height



Max/Std/Min Equipment mounting distance



Front door opening angle

	Ah	H	h
6U	223	330	267
9U	357	464	400

10" NETbox SOHO Series Wall Mounting Cabinets W= 312 mm D= 300 mm

**Product Number	Product Description	Size WxDxH mm	h Size in U	h in mm	H mm, overall	Ah Wall Mounting h mm	Width Overall mm	Width Rail to Rear Door	Depth Overall mm	*Depth Shipping Conf. Rail to Rear Panel mm	QTY IN PACKAGE	PACKING DIMENSIONS WxDxH mm	Standard NET Weight of Product kgs	Gross Weight of Product kgs	QTY IN PALLET	PALLET DIMENSIONS WxDxH mm	Pallet Weight kgs
LN-SH06U3030-CC-X	6U 10" Wall Mounting Cabinet W=300 mm D=300 mm	312x300x330	6U	267	330	223	312	10"	300	210	1	360x345x410	5,42	6,07	57	1100x1150x2610	360
LN-SH09U3030-CC-X	9U 10" Wall Mounting Cabinet W=300 mm D=300 mm	312x300x464	9U	400	464	357	312	10"	300	210	1	360x345x545	6,77	7,56	36	1100x1150x2330	305

* See min and max adjustable depth variations on drawings.

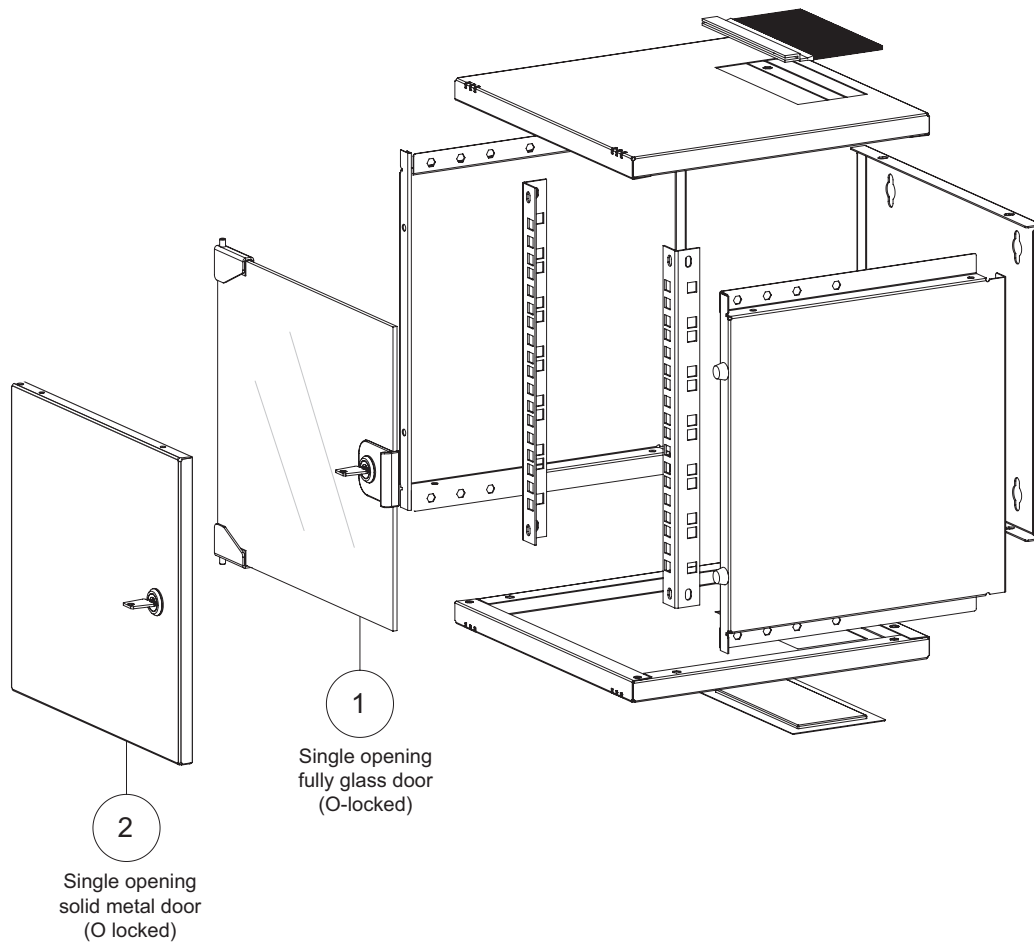
** CC= LG for Light Grey RAL 7035 & BL for Black RAL 9005 for customers to define while ordering.

** X front door selection: customers to define while ordering, "X=1,2" configuration is defining front door structure, please see front door selection on drawings at page 11.

10" NETbox SOHO Network Wall Mounting Cabinets

Width: 312 mm
Depth: 300 mm

Door Options



LN-AA - XXU - WW - DD - CC	X
<p>LN: Corporate codification beginning letters mentioning Lande in Short Format as LN</p> <p>AA: Family group of enclosure; SH for small office home office range</p> <p>XX: Numeric character defining the height of enclosures, depending on model differences 06 and 09 to be selected from price list, website or catalogue</p> <p>U: U height alphanumeric notation, concrete (non editable- fixed character)</p> <p>WW: The first 2 digits of the width info, 30 for W=312 mm cabinets</p> <p>DD: The first 2 digits of the depth info, 30 for D=300 mm cabinets.</p> <p>CC: Color code, LG for Light Grey RAL 7035, BL for Black RAL 9005</p>	<p>1: Full Glass Front Door</p> <p>2: Solid Metal Front Door</p>