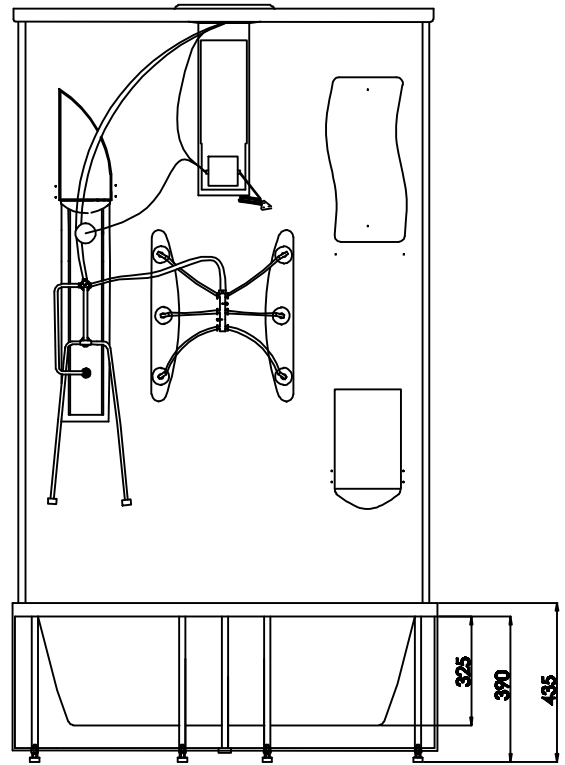
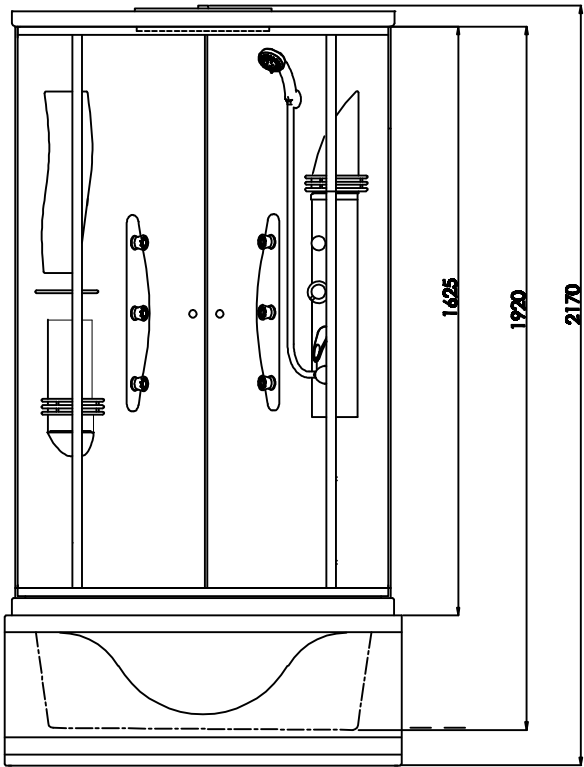


6004



Note Anchor adjusting screw maximum range 40mm

