

**USER MANUAL**

# **BEACHSOCCER FOLDING GOALS 3x2 m**



**FUNTEC**

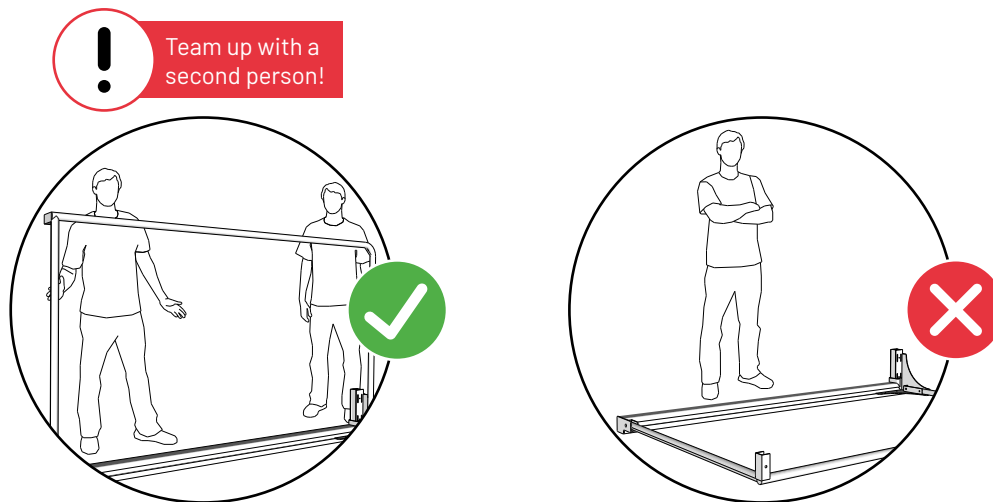
# GENERAL INFORMATION

## Safety instructions

- This product is designed for use in recreational and popular sports.
- This product must be used in accordance with its designated use which is Beachsoccer and Beachhandball.
- We strongly recommend installing an anti-tilt device to the floor ground frame during use.
- Before using this product make sure that all components and connecting bolts are safely installed and tightened.

## Assembly instructions

- This product has to be assembled with due care by two adult persons.
- For this product a level ground is required with the dimensions of at least 5 x 5 m.
- We recommend using a soft underlay to prevent damage to the painted parts of the goal frame.
- Please take no unnecessary risks while handling the equipment and be careful when assembling this product.



## Maintenance and care

- This product does not require regular maintenance work, However, please check all components and connecting bolts are intact and safely tightened before use, at least once a year. Any damaged parts should be replaced as soon as possible.
- To clean this product, use water and soap avoiding all types of solvents or alcohol. Do not use dirty or abrasive cloths.
- Store in a dry place, ideally at a temperature of 5° C to 25° C.

# ACCESSORIES

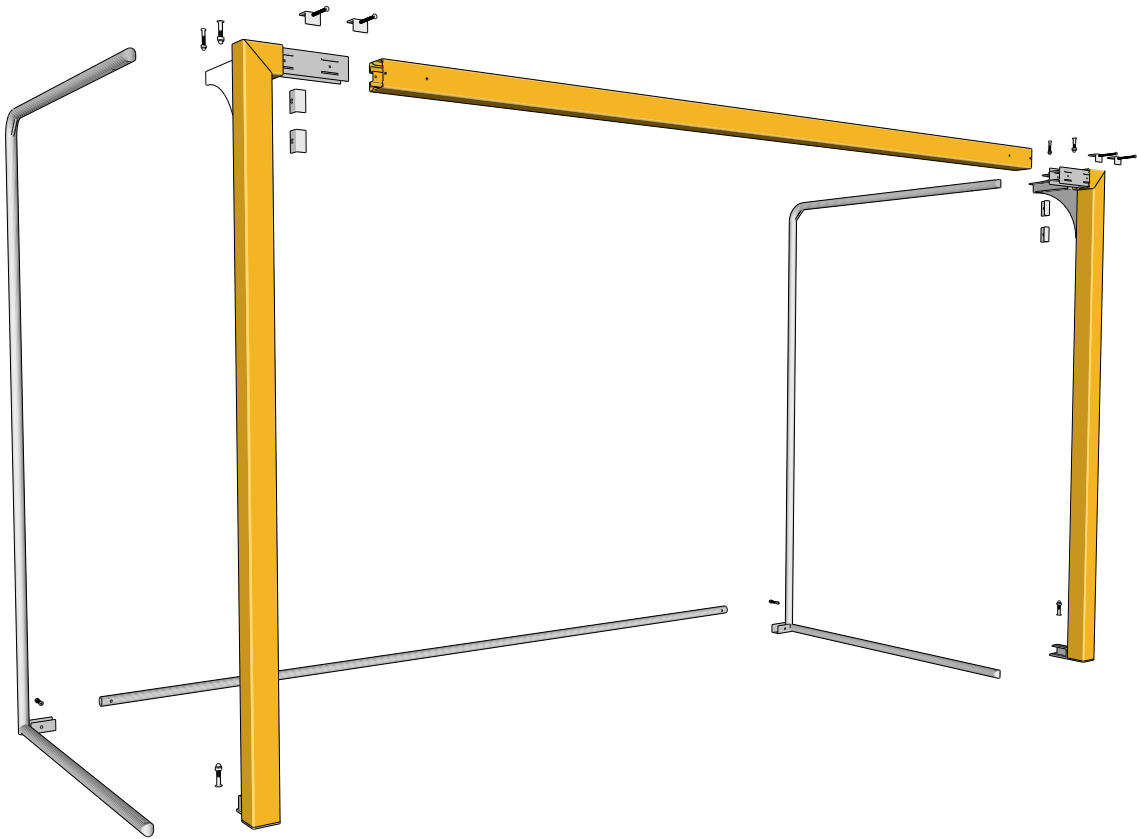
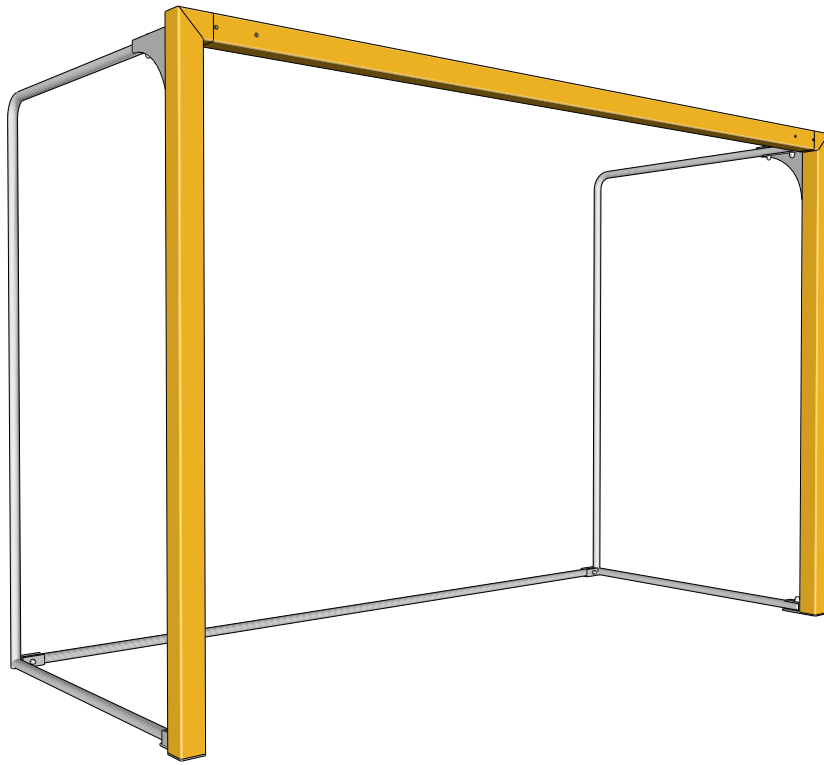
Goal nets for 3 x 2 m Beachsport folding goals, 4 mm netting material, mesh size: 10 cm, colour: yellow, net depth size at top/bottom: 120 cm/120 cm  
Item-No.: 112008



Ground fixings for freestanding goal frames, for 1 pair of goals, each fixing includes two pieces sand anchors and strong black isilink ropes  
Item-No.: 112002

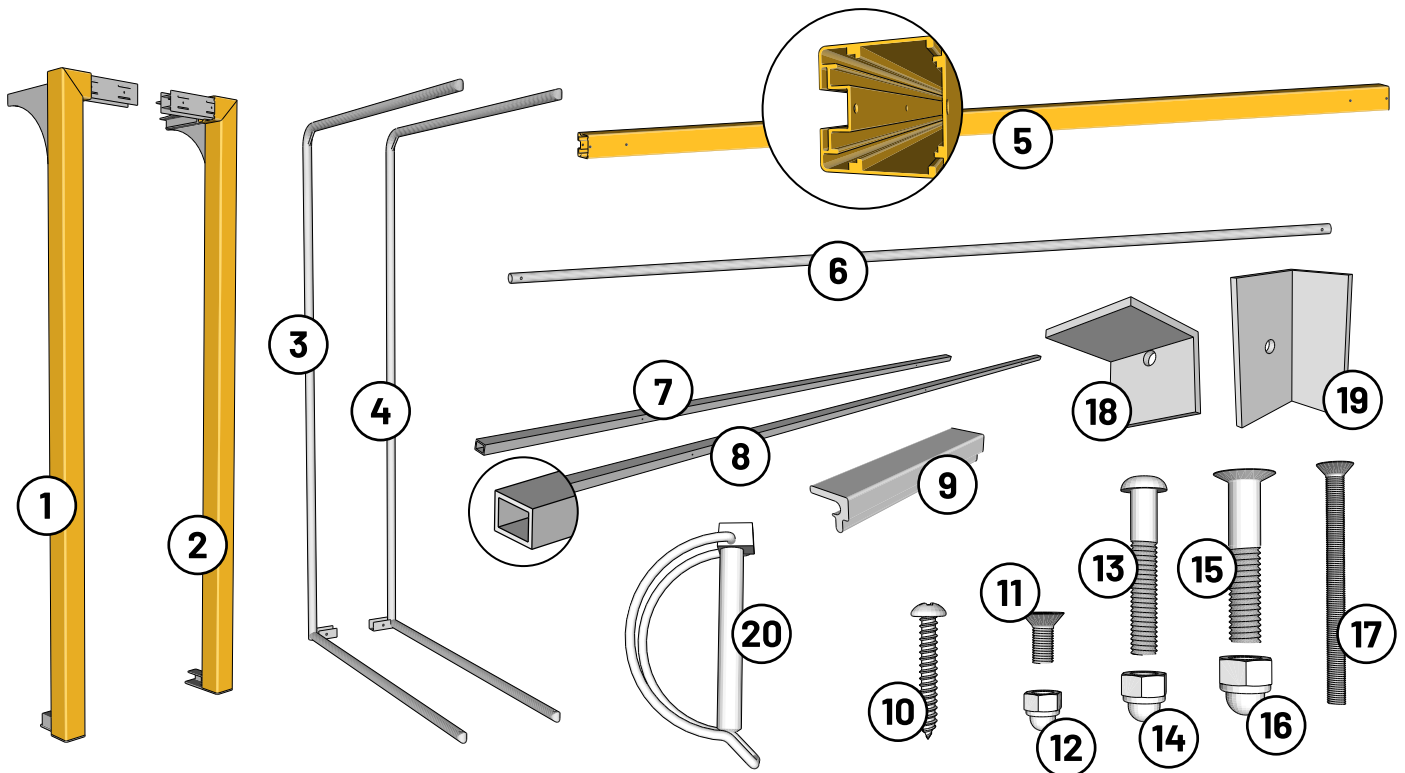


# OVERVIEW



# SCOPE OF DELIVERY

ITEM-NO.: 112001

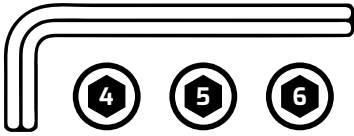


Index	Description	Item-No.	Qu (for 1 pair of goals)
1	Goal post, left	112-001-L	2 pcs (1 pc/goal)
2	Goal post, right	112-001-R	2 pcs (1 pc/goal)
3	Rear net holder, left	112-201-L	2 pcs (1 pc/goal)
4	Rear net holder, right	112-201-R	2 pcs (1 pc/goal)
5	Goal frame crossbar	112-001-2940	2 pcs (1 pc/goal)
6	Floor bar	112-204	2 pcs (1 pc/goal)
7	Aluminium profile insert, rectangular, short	112-361-1790	4 pcs (2 pcs/goal)
8	Aluminium profile insert, rectangular, long	112-361-2590	2 pcs (1 pc/goal)
9	Aluminium profile insert, L-shaped	112-360-97	56 pcs (28 pcs/goal)
10	Self-drilling panhead screw, 3,9 x 32 mm	112-311	14 pcs (7 pcs/goal)
11	Countersunk screw, M6 x 14 mm	112-300	8 pcs (4 pcs/goal)
12	Cap nut, self-locking, M6	112-320	8 pcs (4 pcs/goal)
13	Panhead screw, M8 x 50 mm	112-310	8 pcs (4 pcs/goal)
14	Cap nut, self-locking, M8	112-321	8 pcs (4 pcs/goal)
15	Countersunk screw, M10 x 55 mm	112-302	8 pcs (4 pcs/goal)
16	Cap nut, self-locking, M10	112-322	8 pcs (4 pcs/goal)
17	Counterunk screw, M6 x 80 mm	112-301	8 pcs (4 pcs/goal)
18	Aluminium L-profile, short	112-350	8 pcs (4 pcs/goal)
19	Aluminium L-profile, long	112-351	8 pcs (4 pcs/goal)
20	Pipe folding pin	111406	8 pcs (4 pcs/goal)

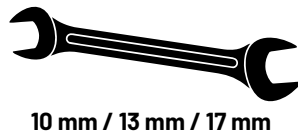
# GOAL FRAME ASSEMBLY

## Required for assembly:

Hex key,  
sizes 4, 5 and 6



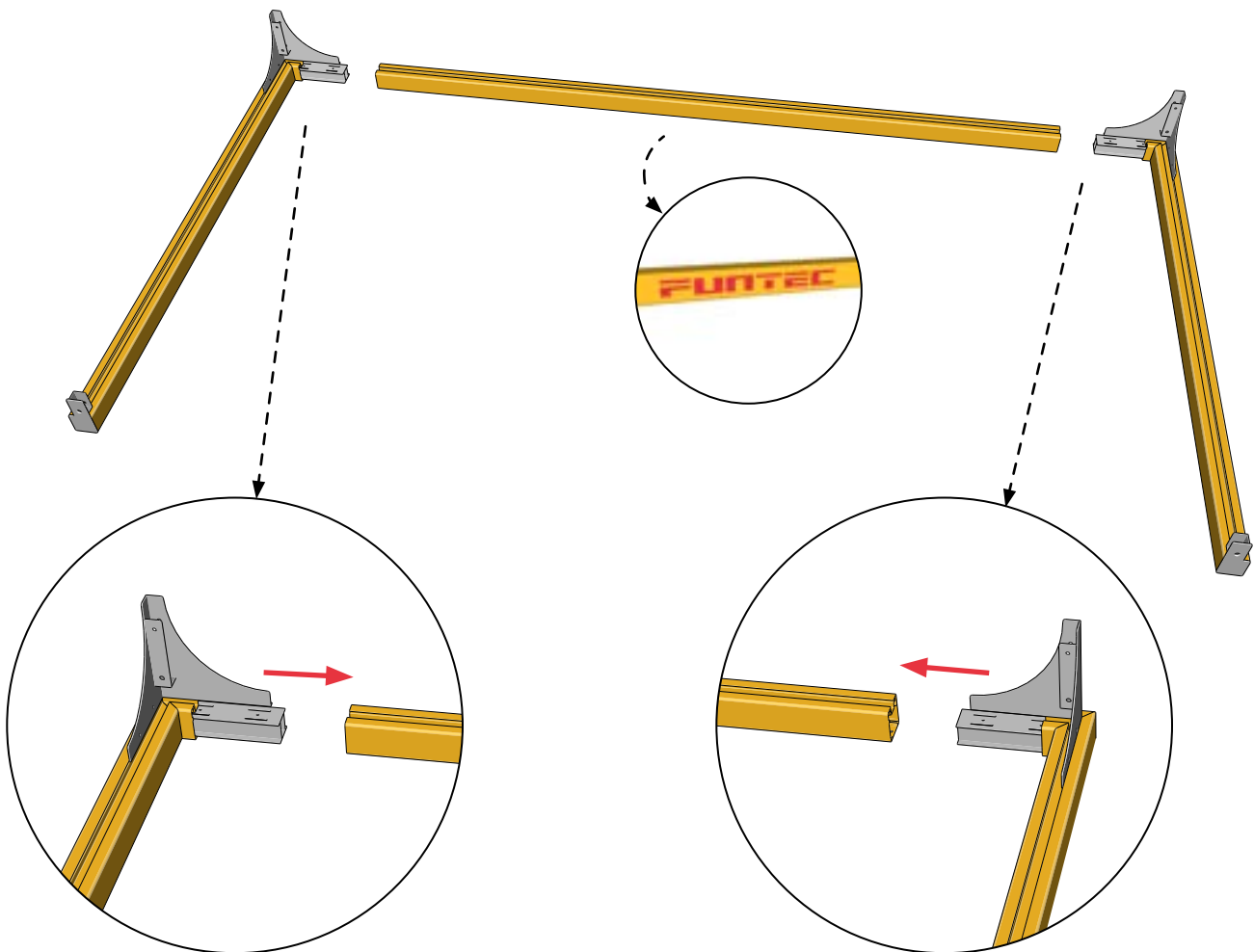
Wrench  
sizes 10, 13 und 17



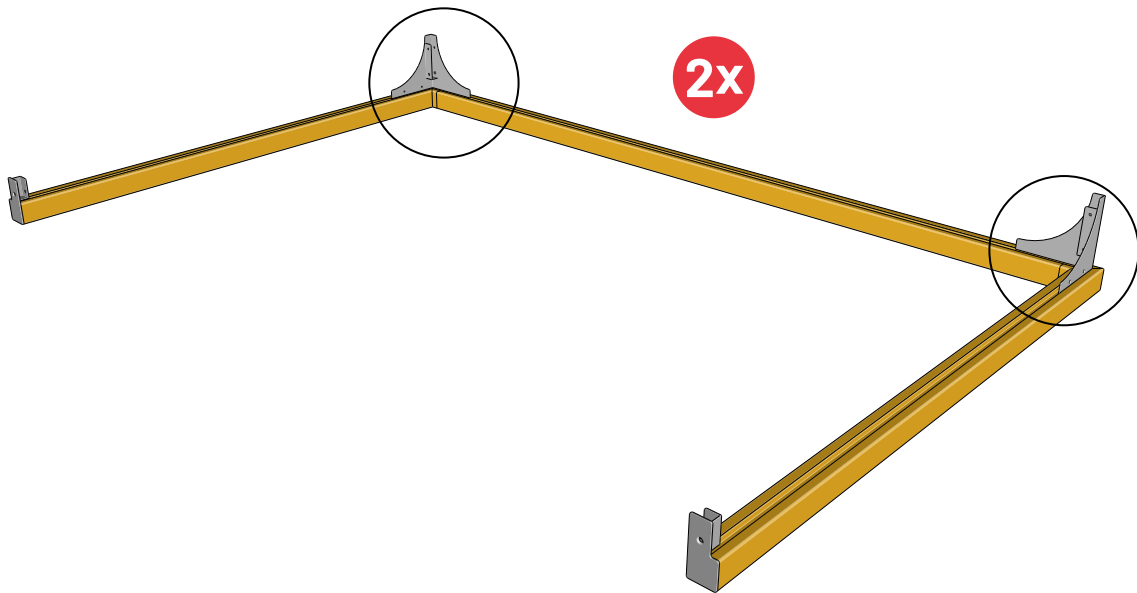
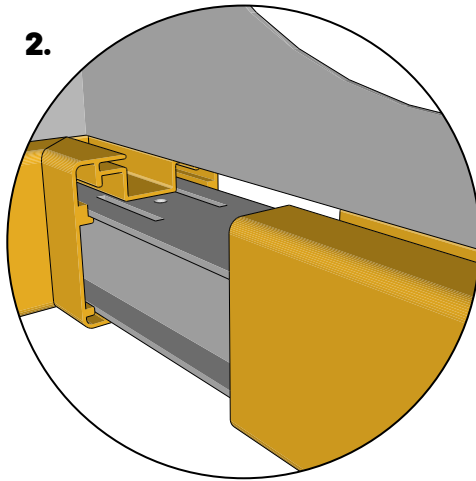
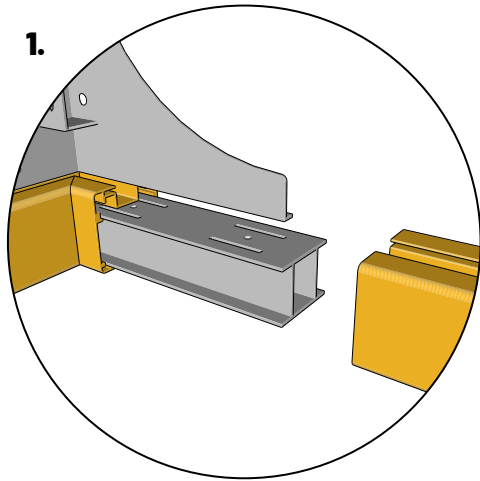
Phillips head  
screwdriver



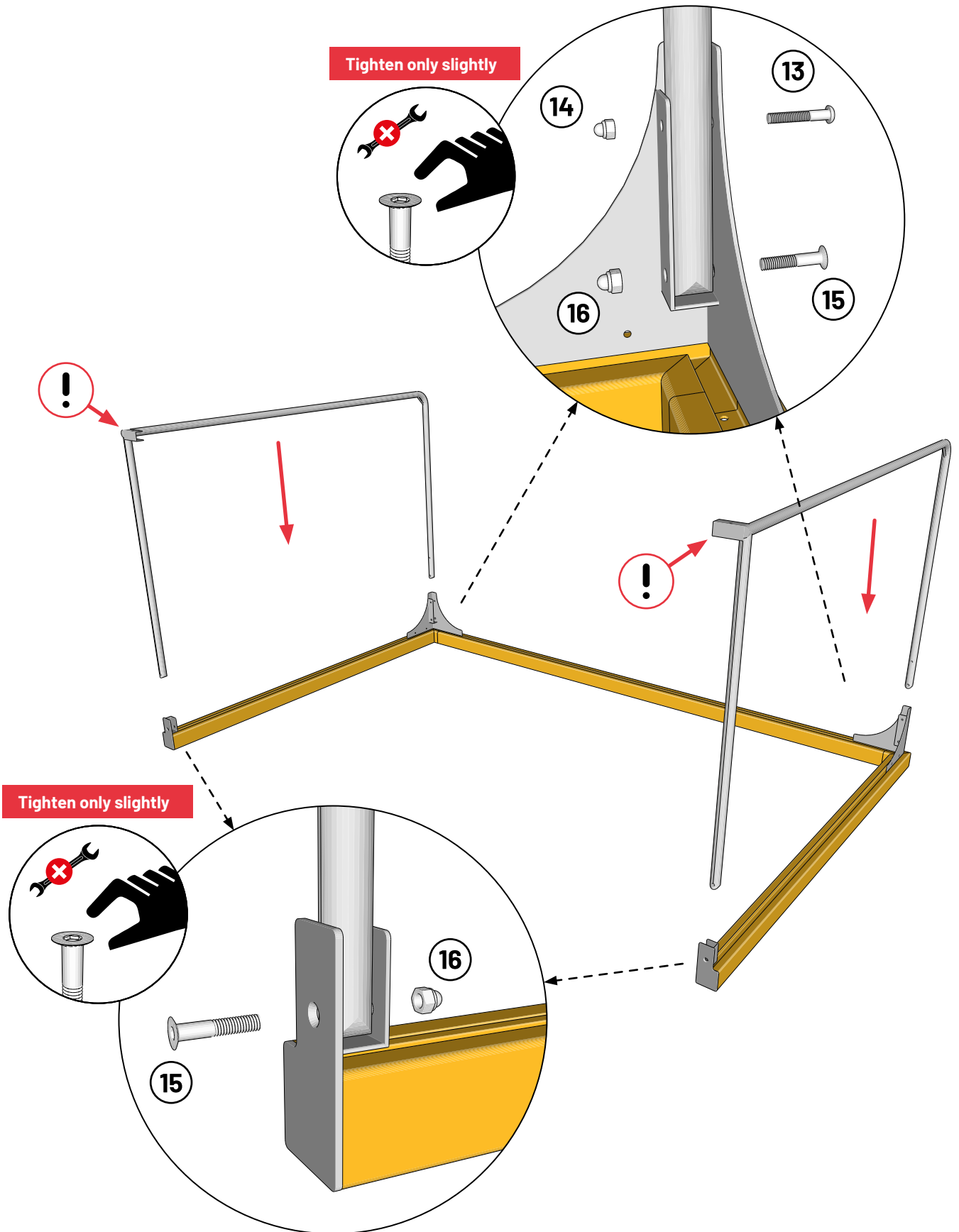
Plastic hammer



# GOAL FRAME ASSEMBLY

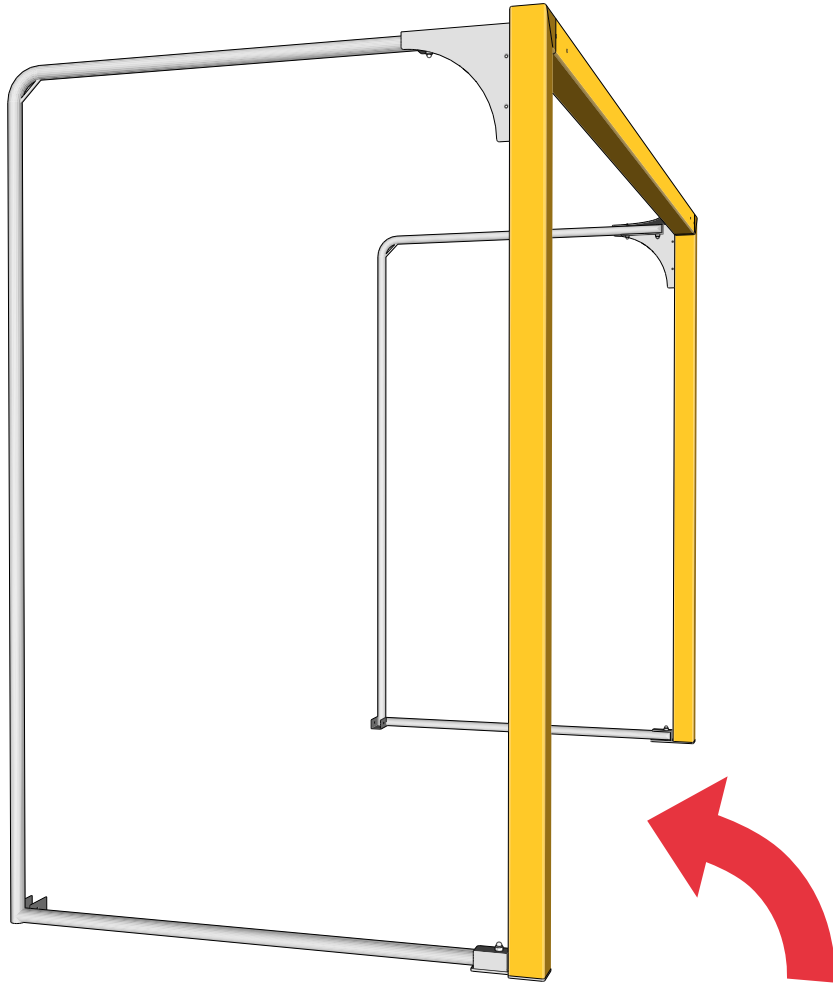


# GOAL FRAME ASSEMBLY

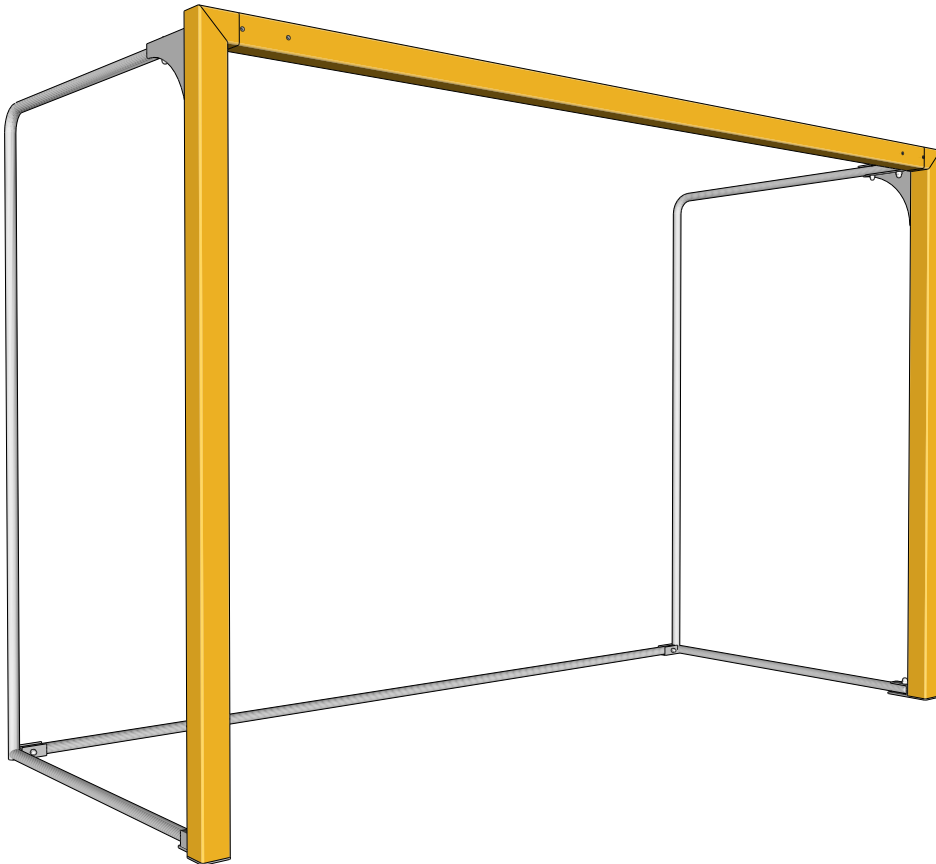




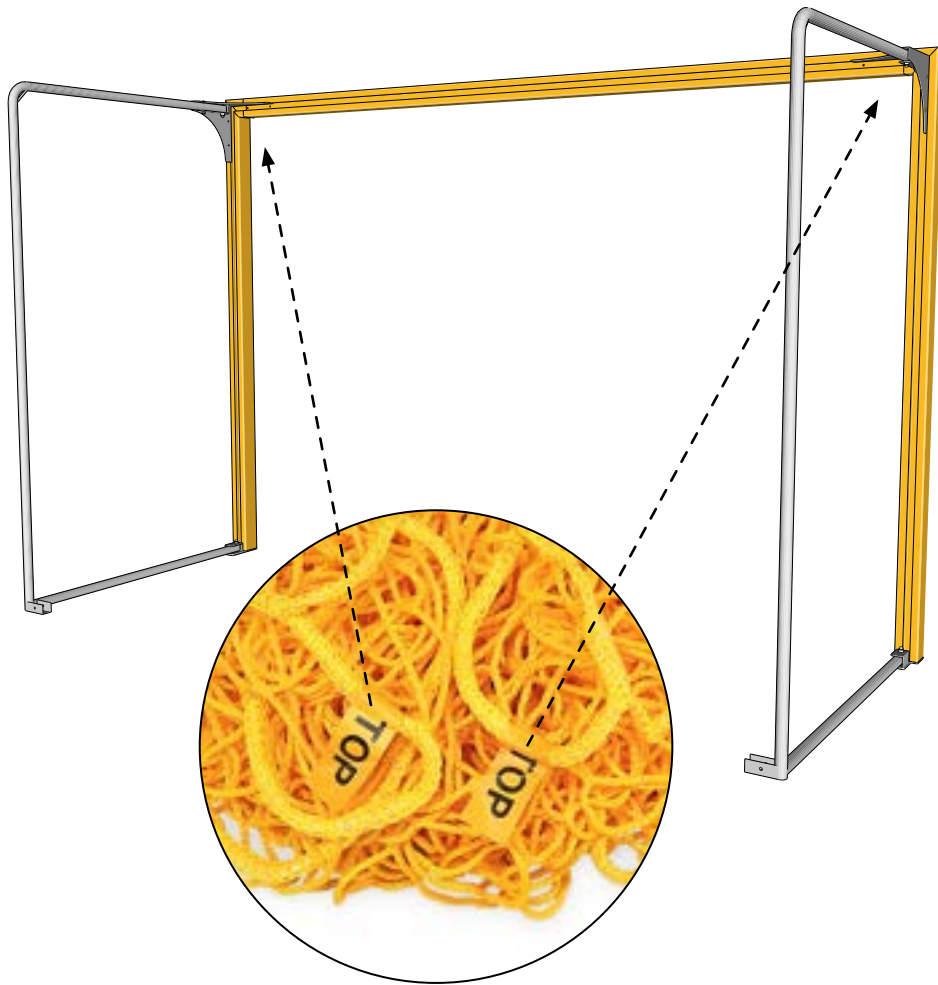
# GOAL FRAME ASSEMBLY



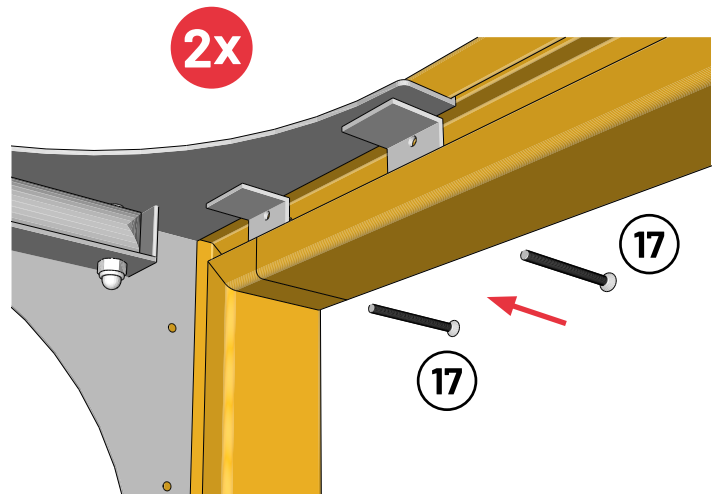
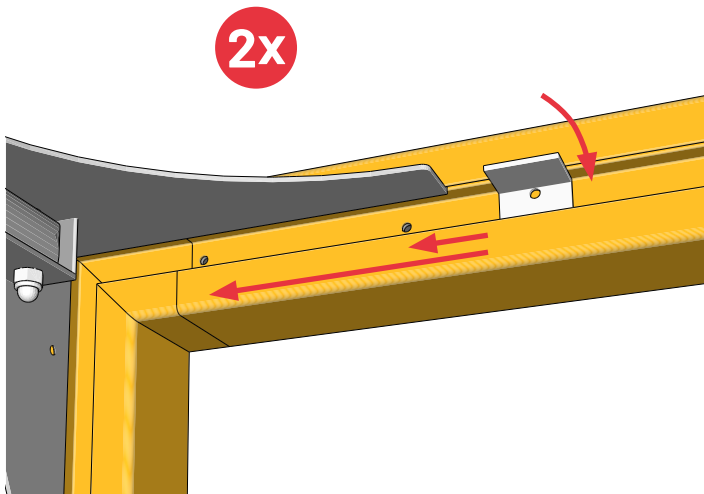
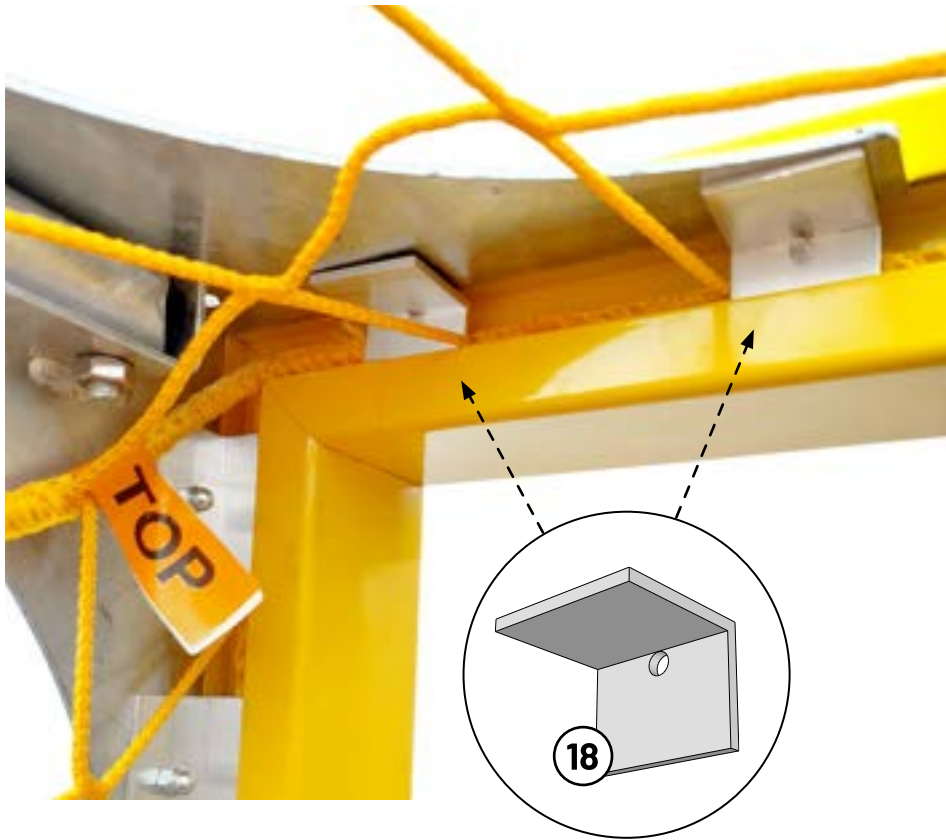
# GOAL NET INSTALLATION



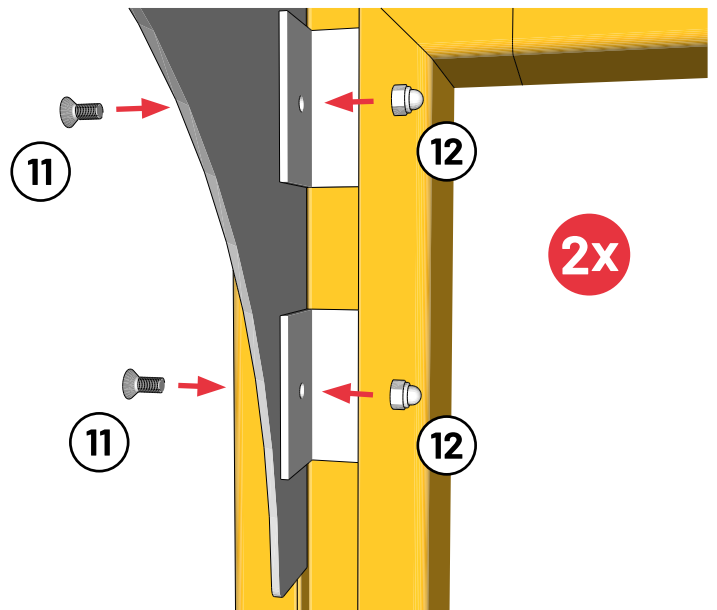
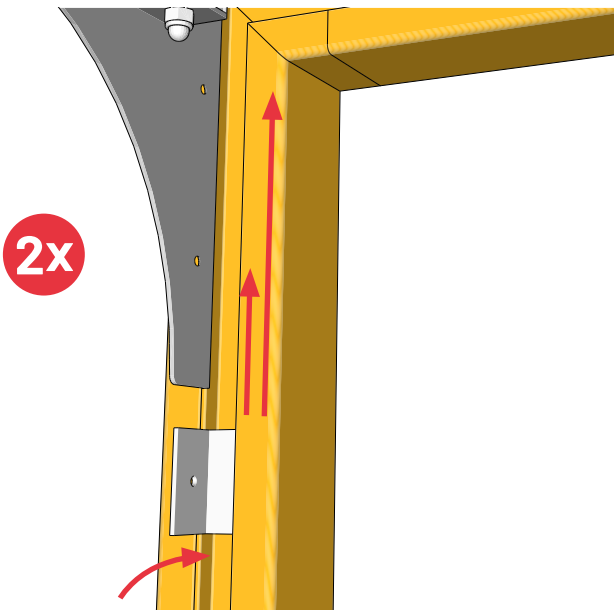
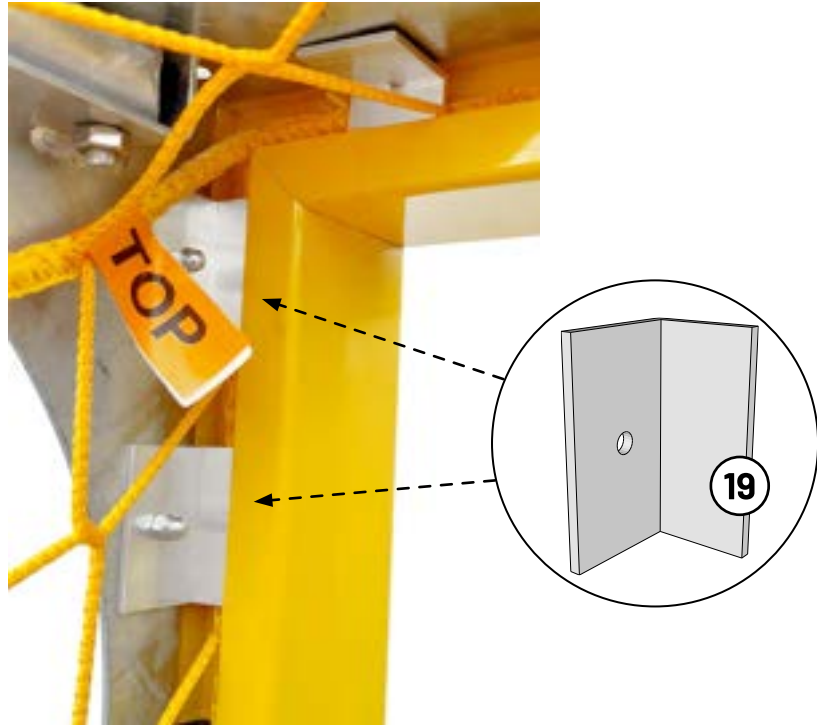
# GOAL NET INSTALLATION



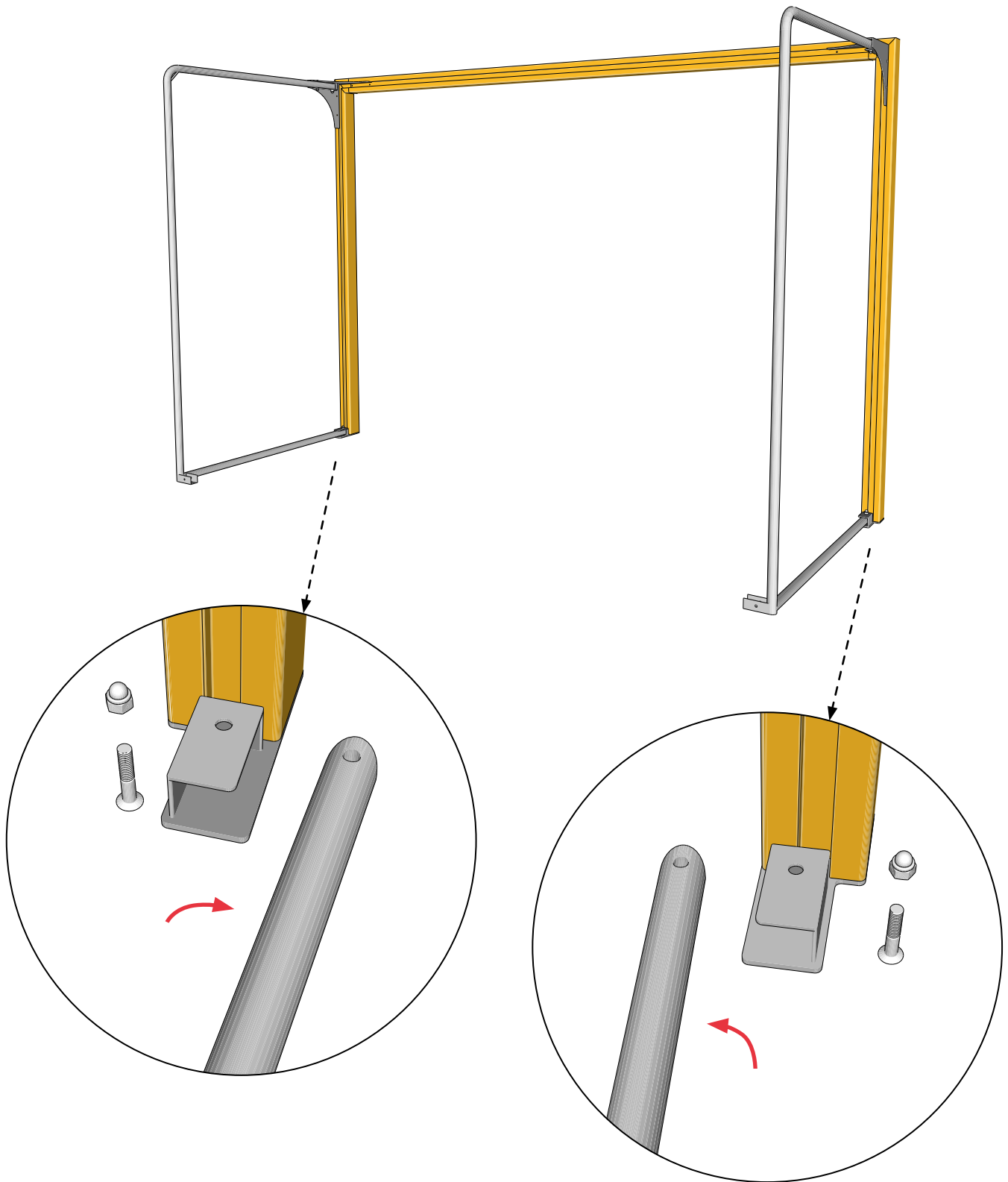
# GOAL NET INSTALLATION



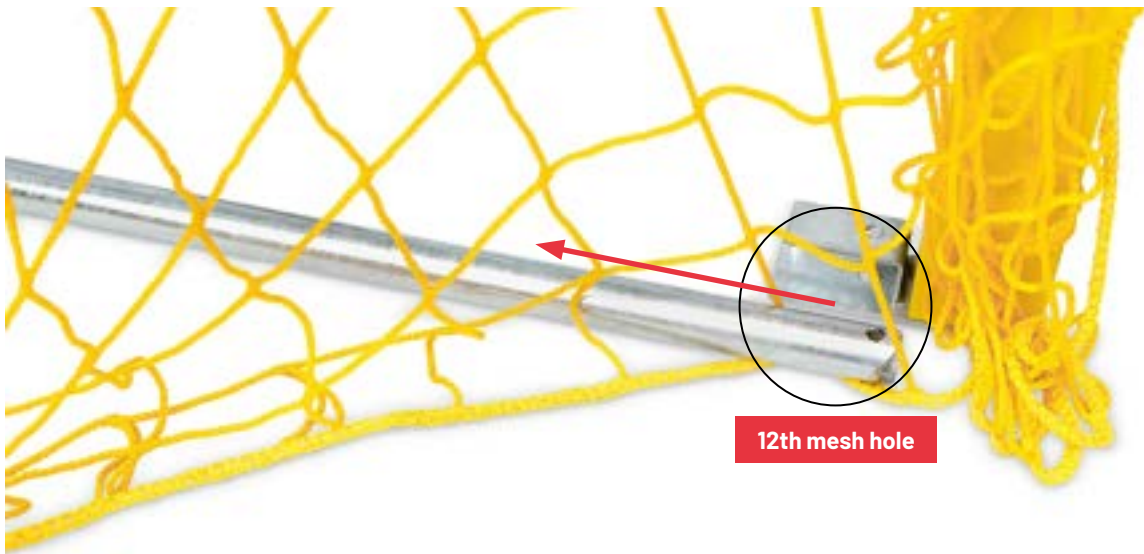
# GOAL NET INSTALLATION



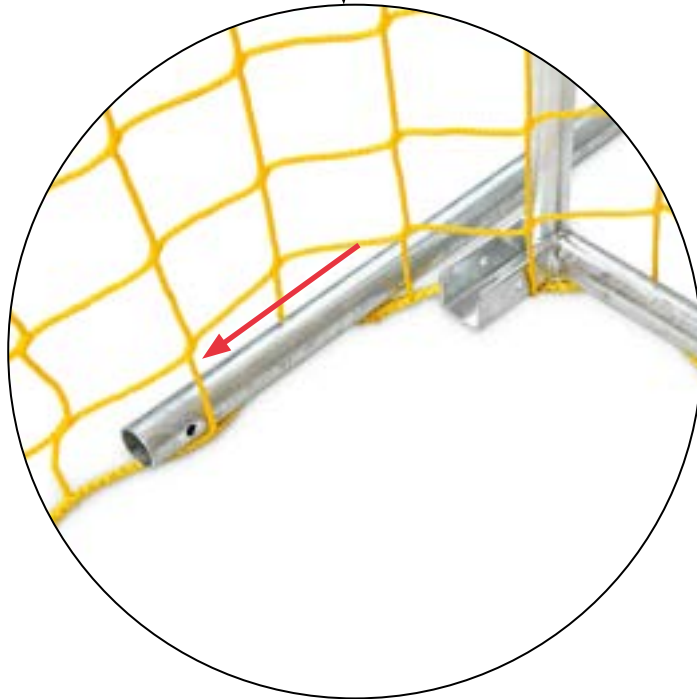
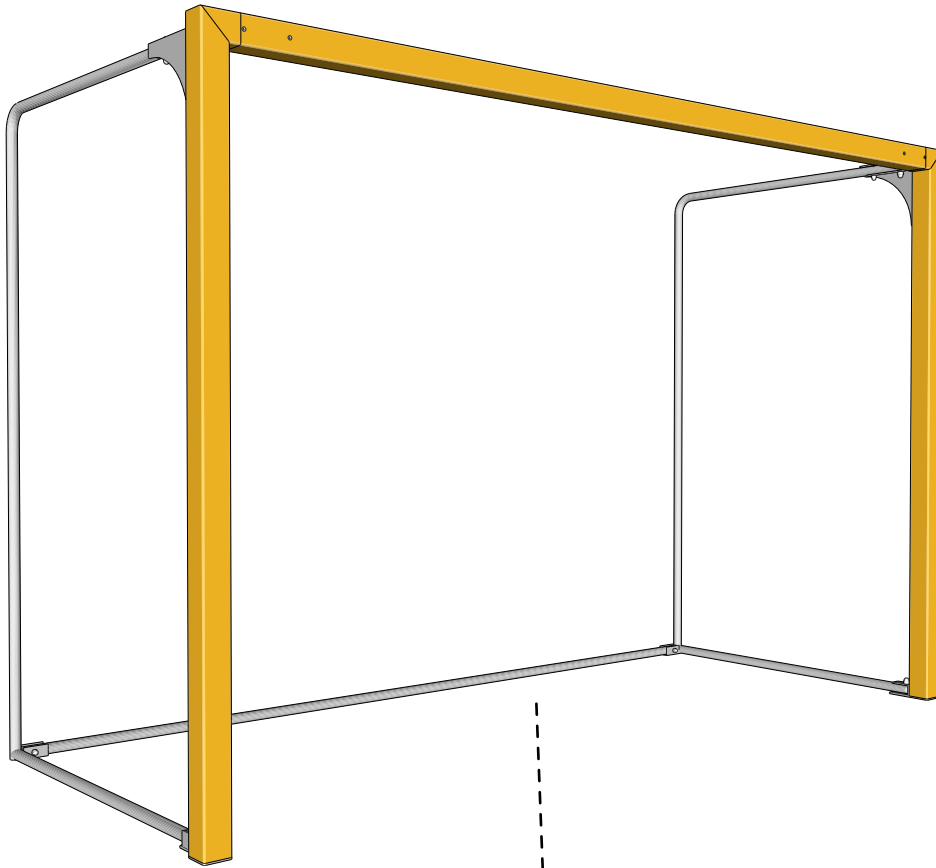
# GOAL NET INSTALLATION



# GOAL NET INSTALLATION

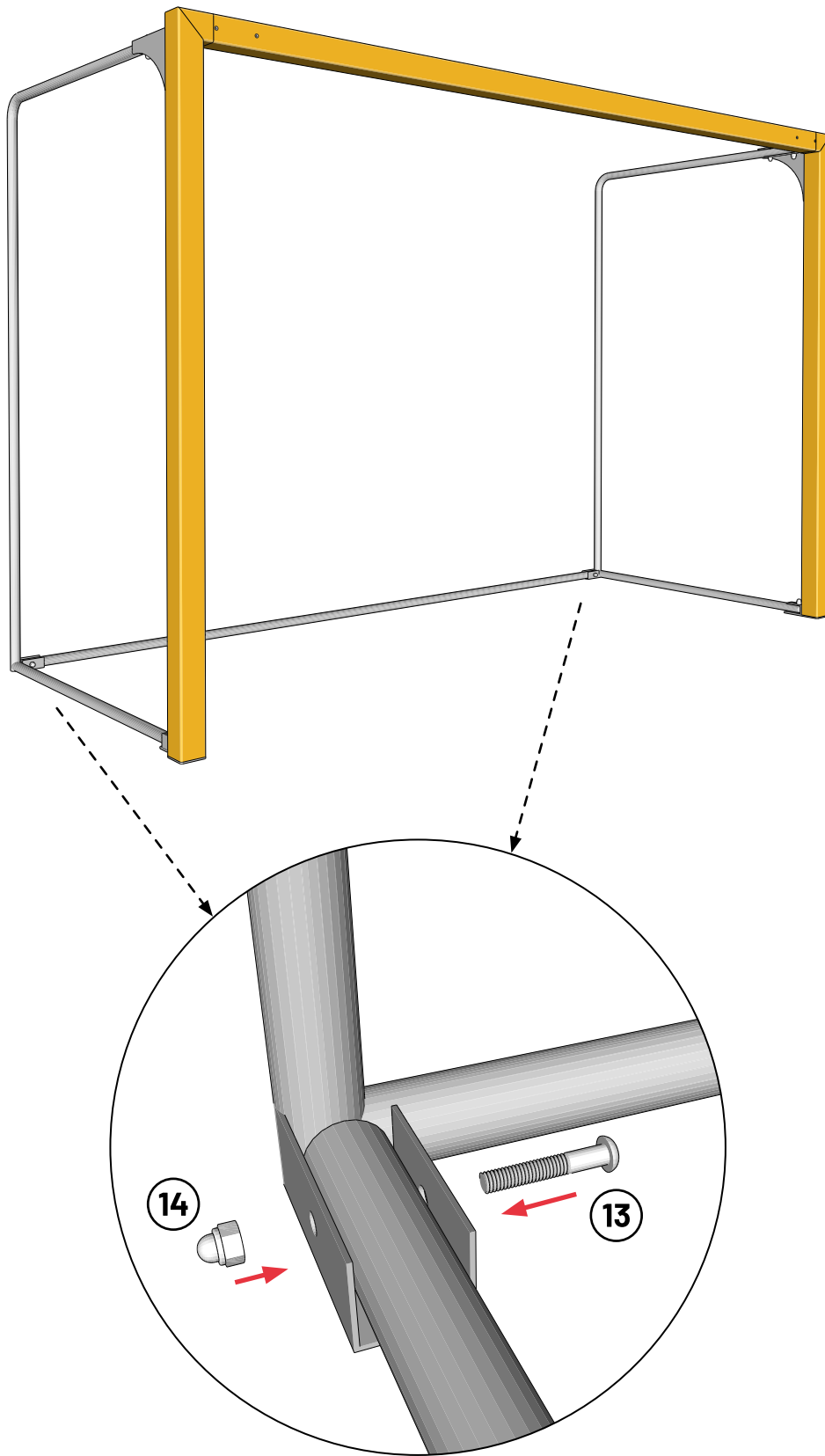


# GOAL NET INSTALLATION



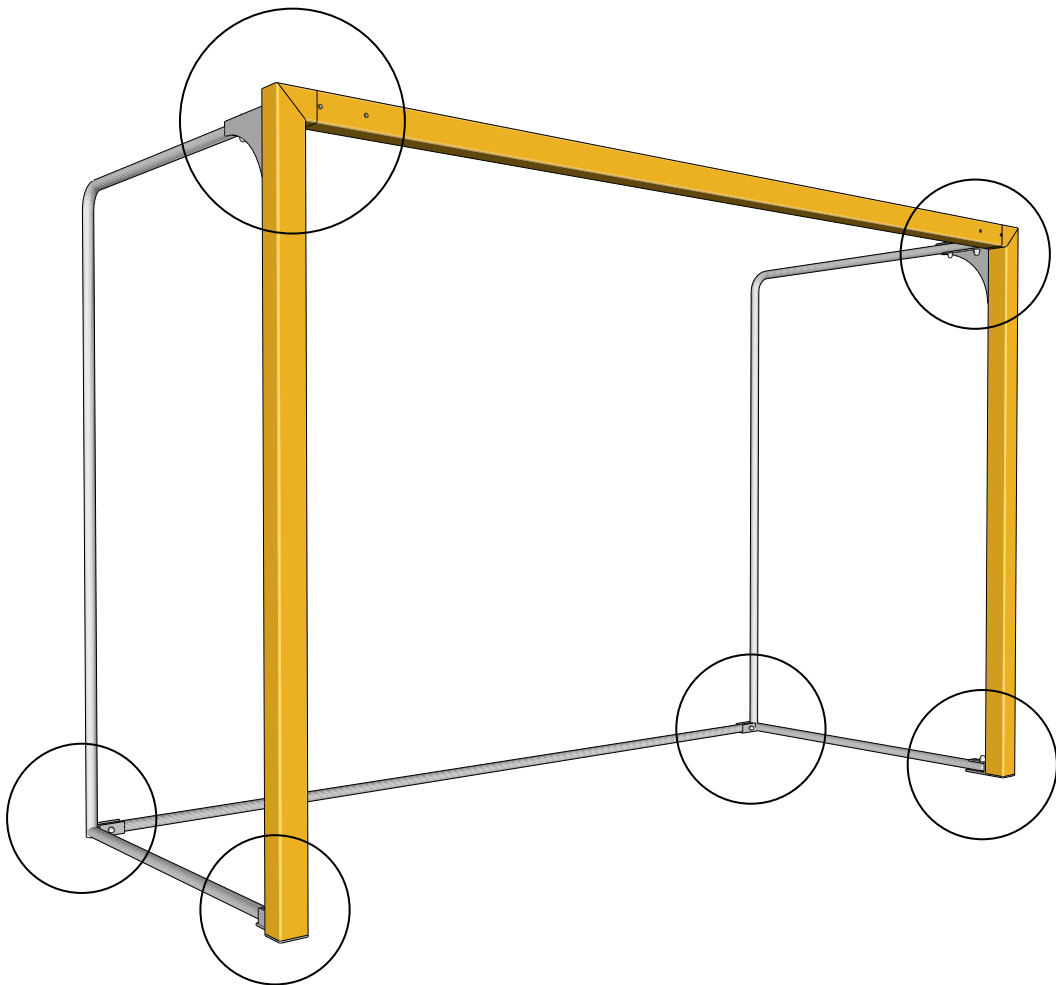


# GOAL NET INSTALLATION

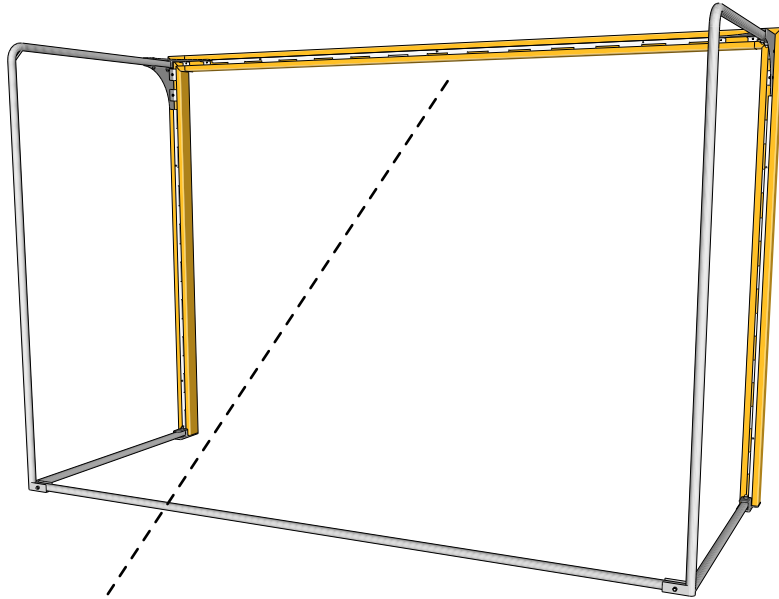


# GOAL NET INSTALLATION

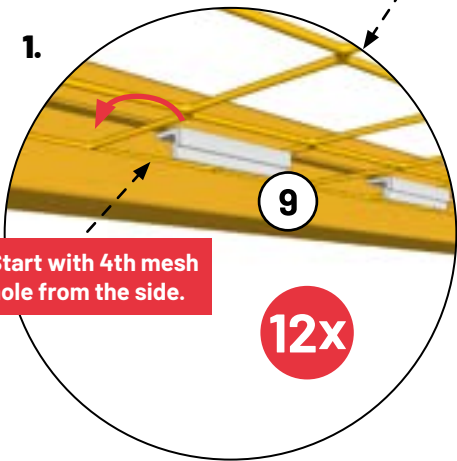
**!** Tighten all screws.



# GOAL NET INSTALLATION



1.

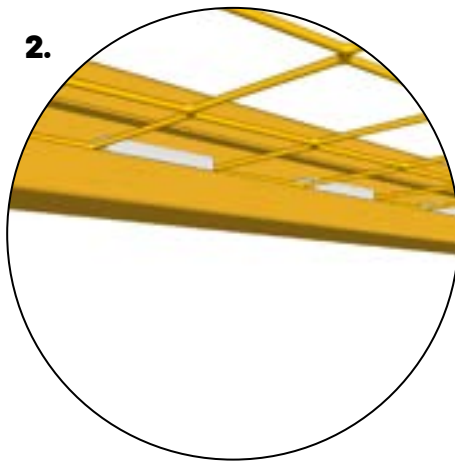


Start with 4th mesh hole from the side.

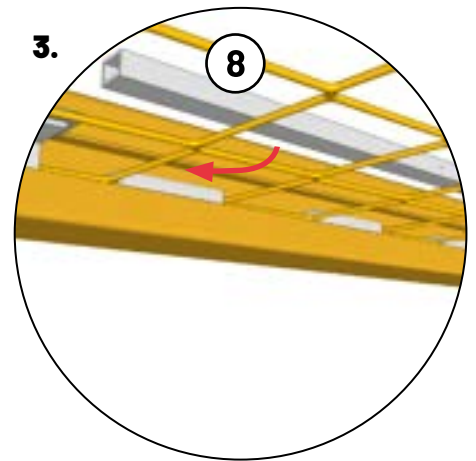
9

12x

2.

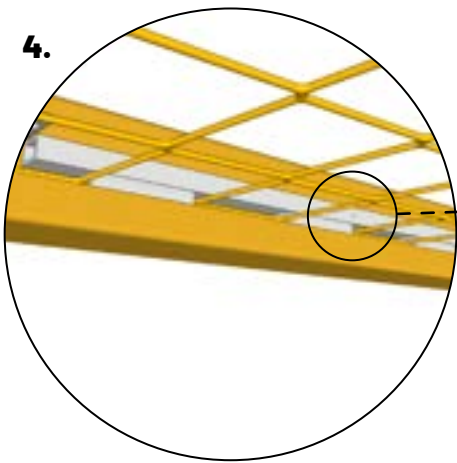


3.

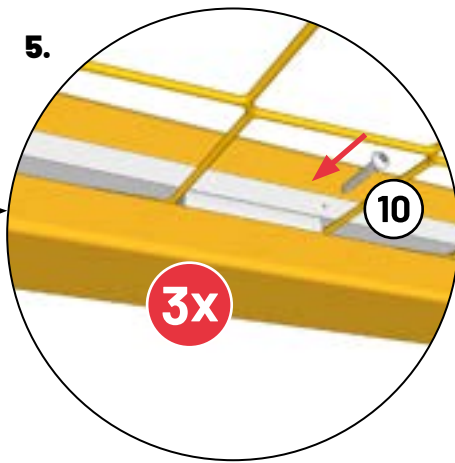


8

4.



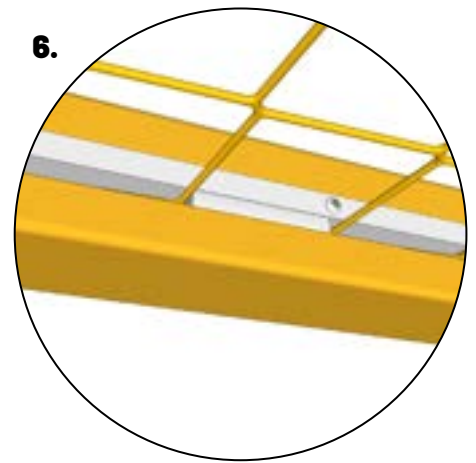
5.



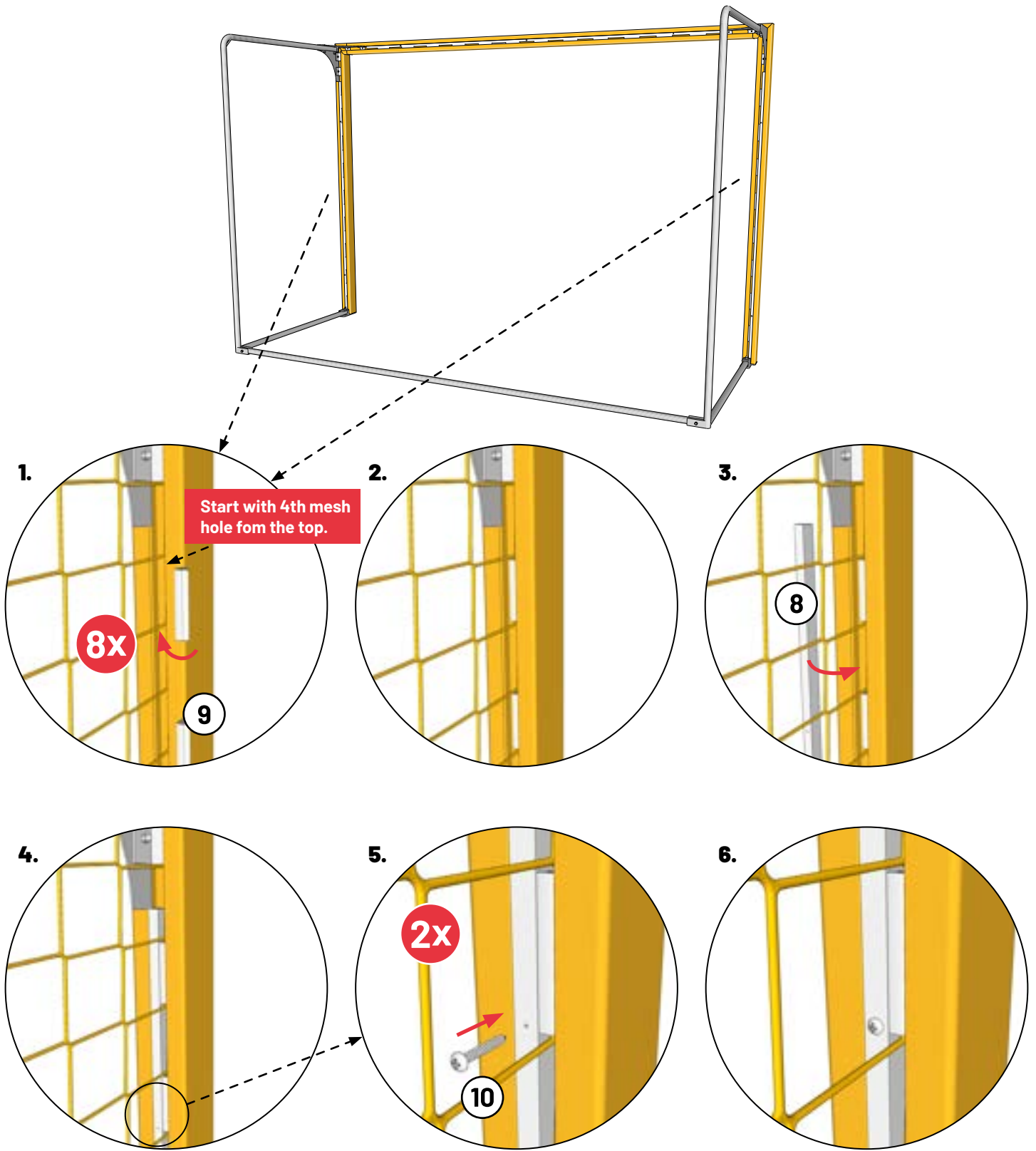
3x

10

6.



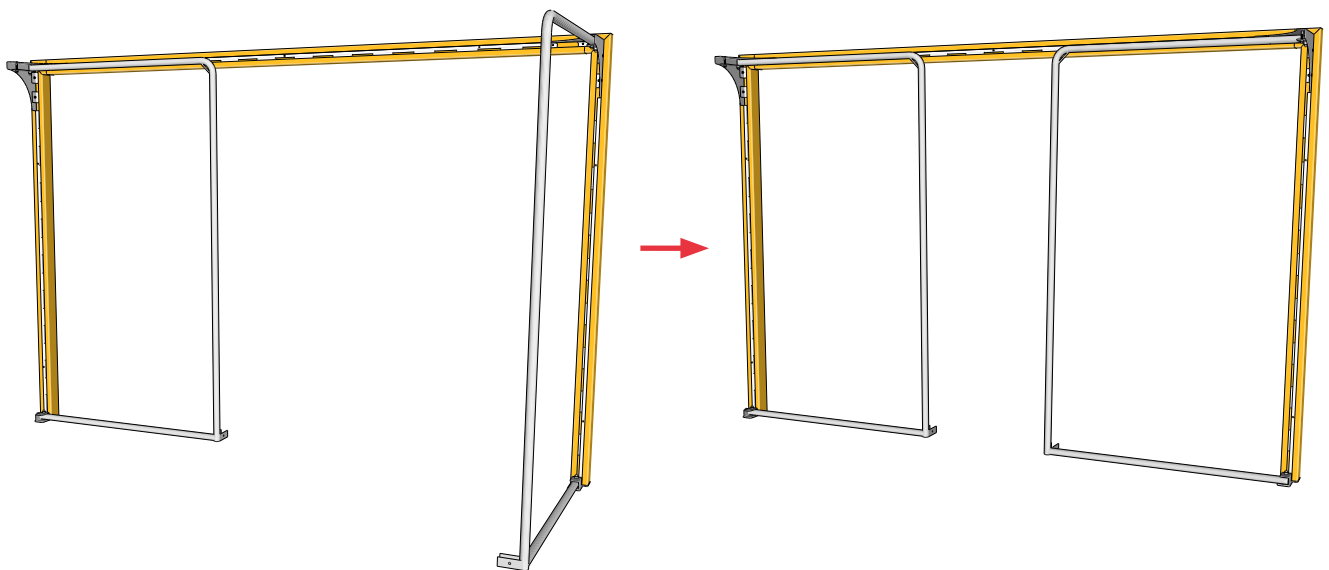
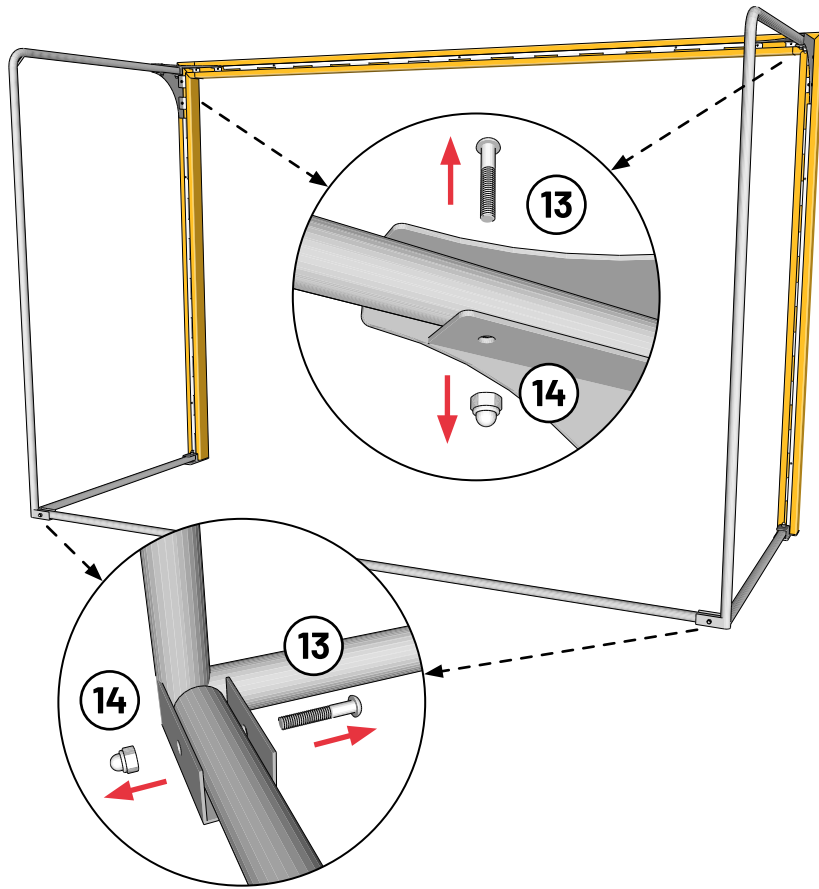
# GOAL NET INSTALLATION



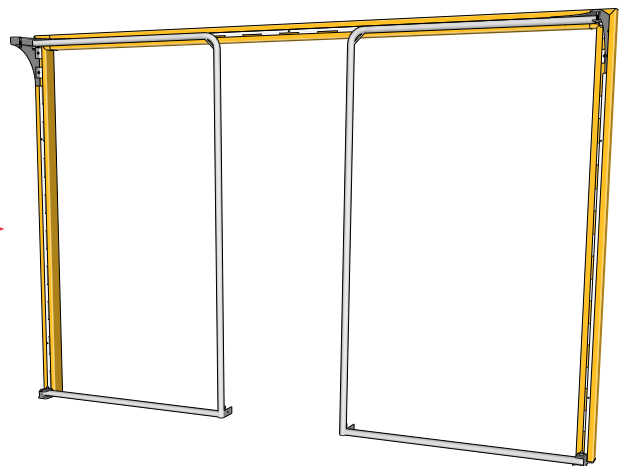
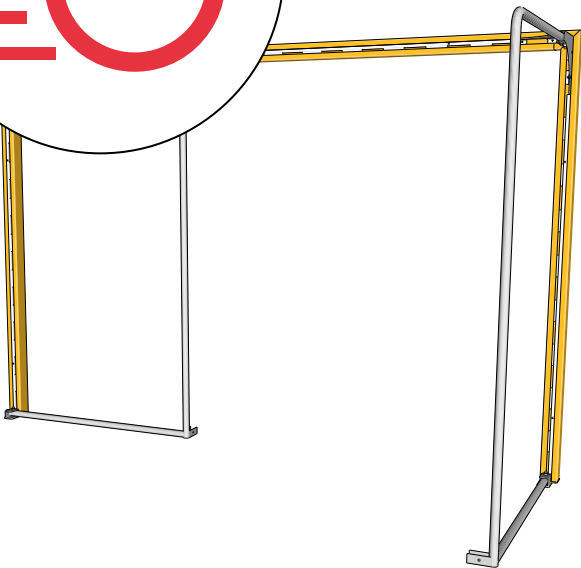
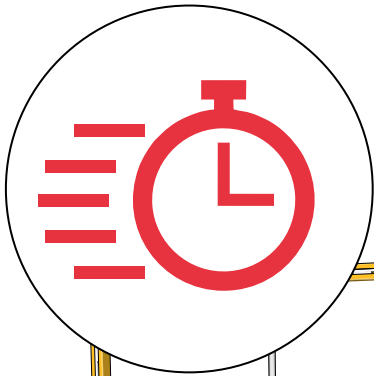
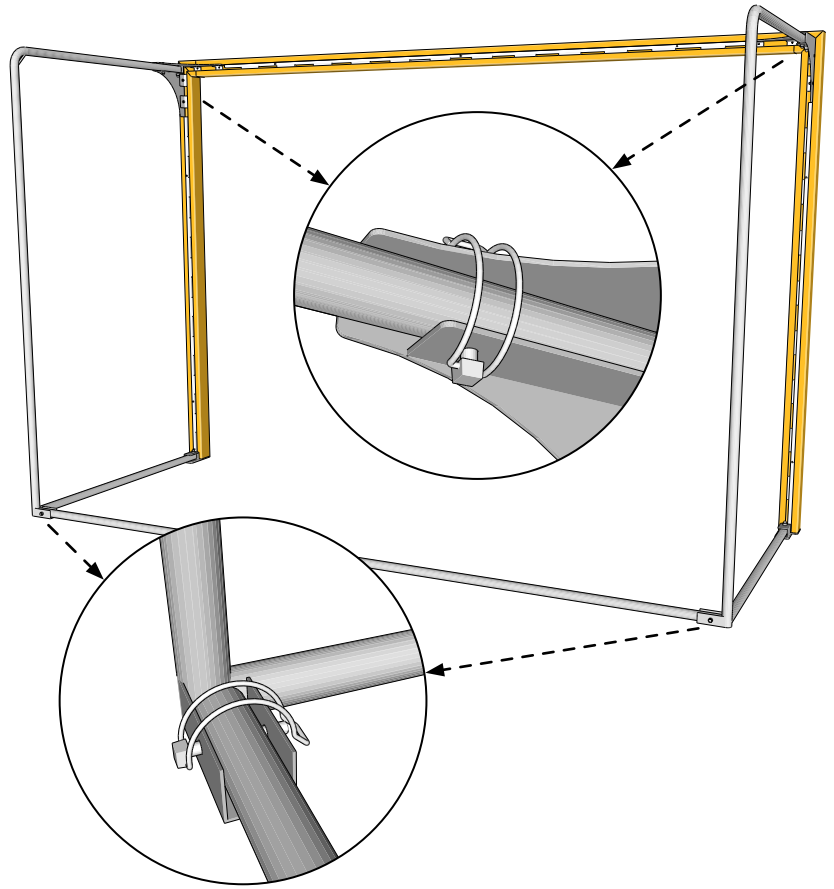
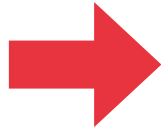
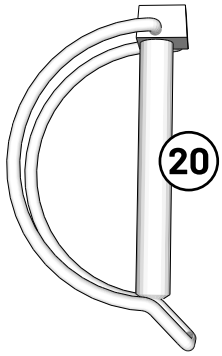
# GOAL NET INSTALLATION



# STOW AWAY: FOLDING PROCEDURE



# OPTION: QUICKER FOLDING



**FUNTEC**