

USER MANUAL

BEACH CHAMP NET POSTS



BASESPORT.SE

VI ÄR BEACHVOLLEY

FUNTEC

TABLE OF CONTENTS

USER MANUAL FOR BEACH VOLLEYBALL NET POSTS BEACH CHAMP

3	GENERAL INFORMATION
4	PRODUCT OVERVIEW
6	GROUND INSTALLATION OPTIONS
7	 FREESTANDING WITH WOODEN BEAMS
10	  FREESTANDING + FLEXIBLE WITH WOODEN BEAMS + REMOVABLE
14	 FIXED ON A CONCRETE FOUNDATION
16	  FIXED + FLEXIBLE ON A CONCRETE FOUNDATION + REMOVABLE
19	NET INSTALLATION & COURTLINE
23	SPARE PARTS



GENERAL INFORMATION



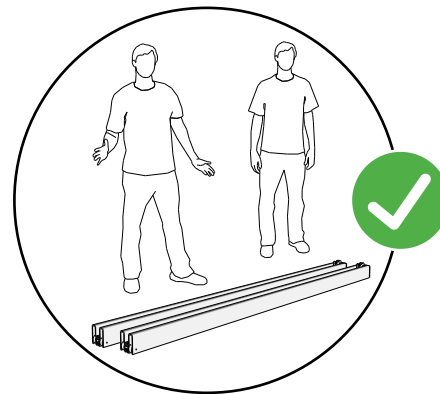
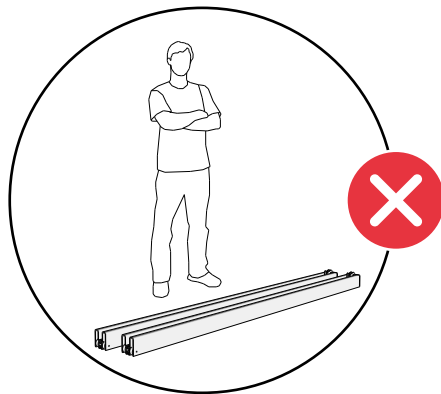
Please read carefully before assembly or use and retain for future use!

Safety instructions

- This product is designed for use at competitions and at top-class sports.
- This product may only be used for its intended purpose, namely for volleyball or similar sports.
- Before using this product, make sure it has been installed properly and all screw connections are properly tightened.
- This product is manufactured in accordance with DIN 33957:2012-04 and fulfils the requirements of DIN EN 1271:2015-01.
- If the posts are removed from the ground sockets, any remaining parts must be covered in such a way that they do not pose a risk of injury.

Assembly instructions

- This product has to be assembled with due care by an adult person. We recommend to call upon the help of at least one other person.
- A level surface measuring at least 14 x 22 m (for recreational sports) or 18 x 26 m (for competition sports) is required to set up this product.
- Depending on the installation variant, foundations of the size and quality described in this manual may be required.
- Please take no unnecessary risks while handling the equipment and be careful when assembling this product.



Maintenance and care

- This product does not require any special maintenance. However, it is necessary to check all components regularly for damage or deformation. Any damaged parts should be replaced as soon as possible.
- For thorough cleaning, ideally use water, together with a mild detergent if necessary. Do not use any corrosive, solvent or abrasive cleaning agents.
- Store in a dry place, ideally at a temperature between 10° and 25° C.

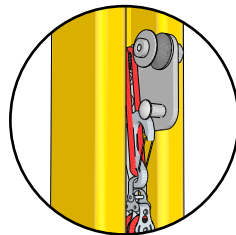
BEACH VOLLEYBALL POSTS

BEACH CHAMP

ITEM-NO.: 111203



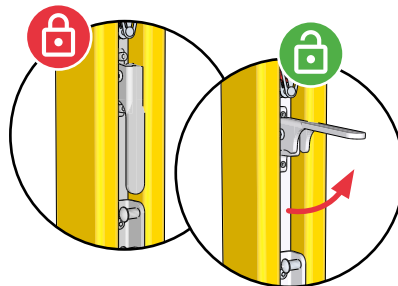
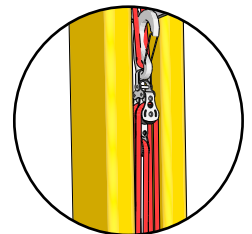
Beach Champ net posts made from powdercoated special aluminium profile (91 x 91 mm)



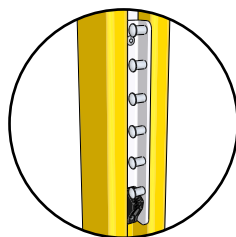
Single-arm suspension, allows easy mounting of net tension cable.

Rope pulley with triple block combination including a stainless steel carabiner with wire gate (for one-handed use).

Pulley block system is self-balancing to pulling direction.



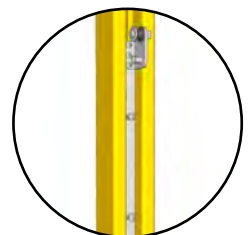
Easy-to-operate locking lever for net height adjustment, flush-mounted inside post profile



Lower net fastening console with open horizontal pins for selecting the optimum net cord angle.

With additional rope clamp for easy tensioning of the lower net ropes.

Tensioning counter slider with vertical row of four knobs, ideal for choosing the best net pre-tension with differing cable lengths.

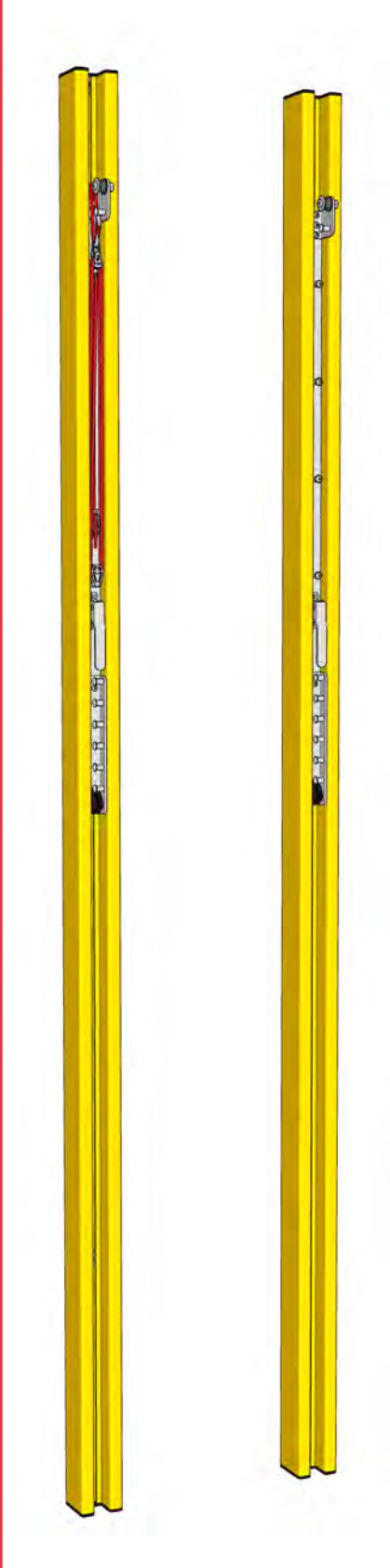


For use with ground sockets (produced in accordance with DIN 33957)

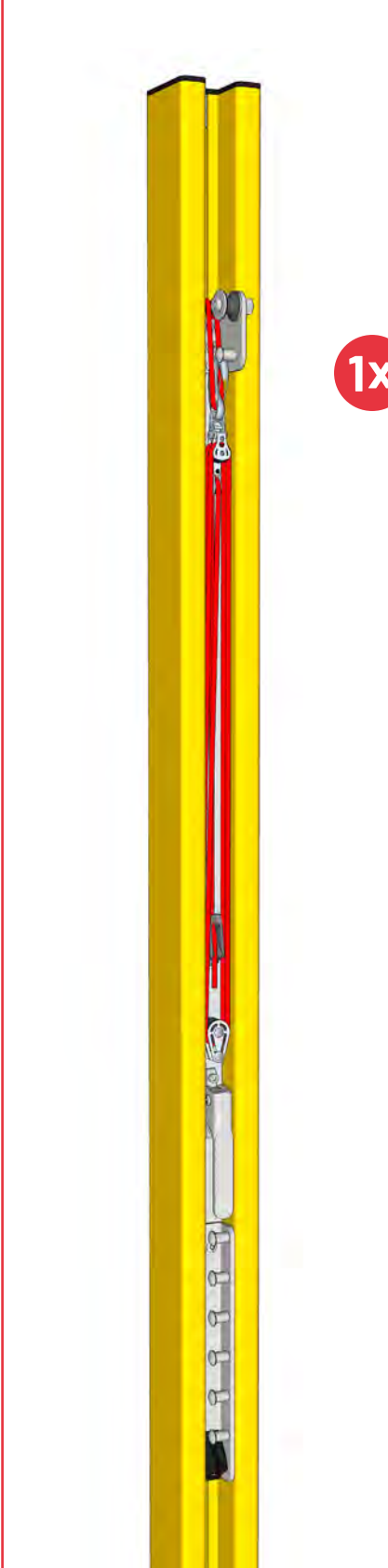
SCOPE OF DELIVERY

ITEM-NO.: 111203

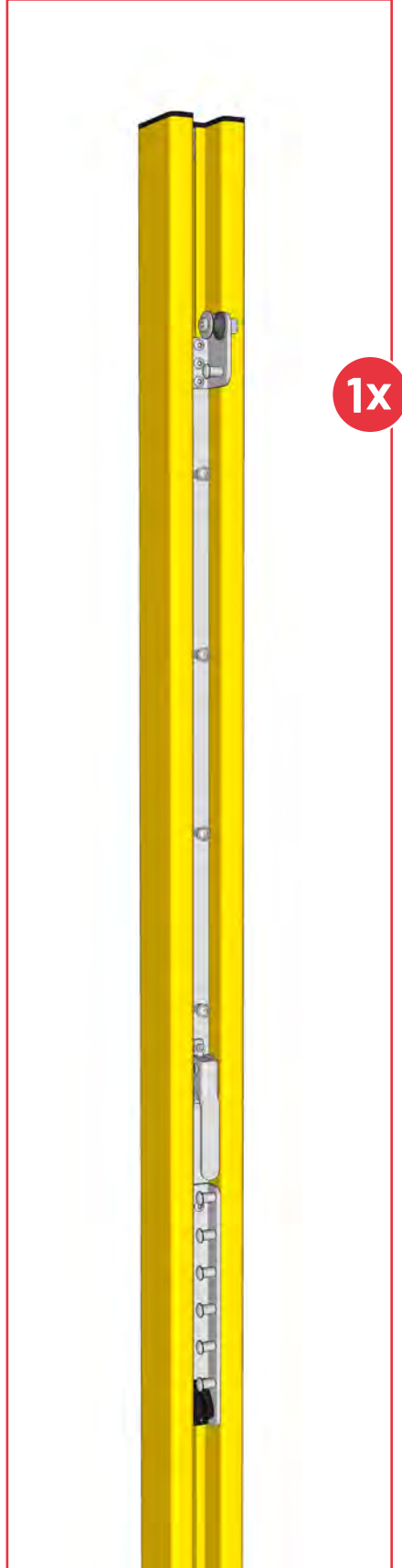
Beach Volleyball posts
Beach Champ



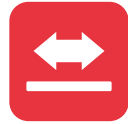
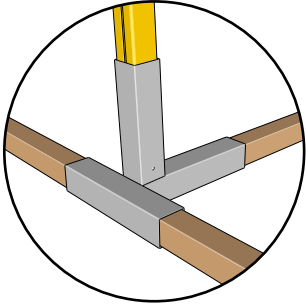
Net post with pulley block tensioning
slider



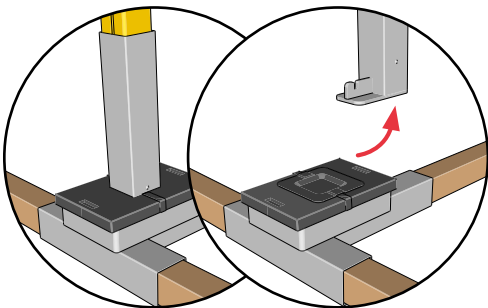
Net post with counter slider



GROUND INSTALLATION OPTIONS



FREESTANDING
WITH WOODEN BEAMS

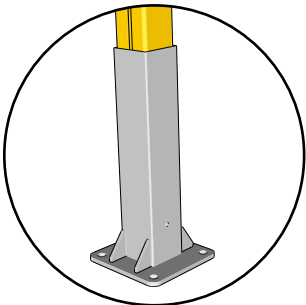


FREESTANDING
WITH WOODEN BEAMS

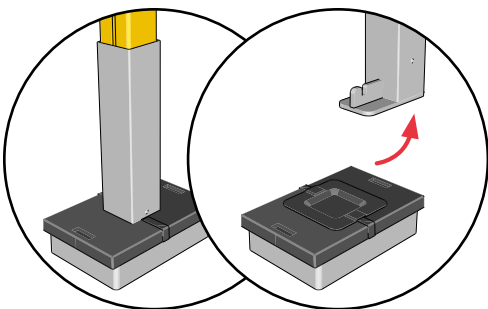
+



FLEXIBLE
REMOVABLE



FIXED
ON A CONCRETE FOUNDATION



FIXED
ON A CONCRETE FOUNDATION

+



FLEXIBLE
REMOVABLE



INSTALLATION STEPS



FREESTANDING

General information on building beach volleyball courts:

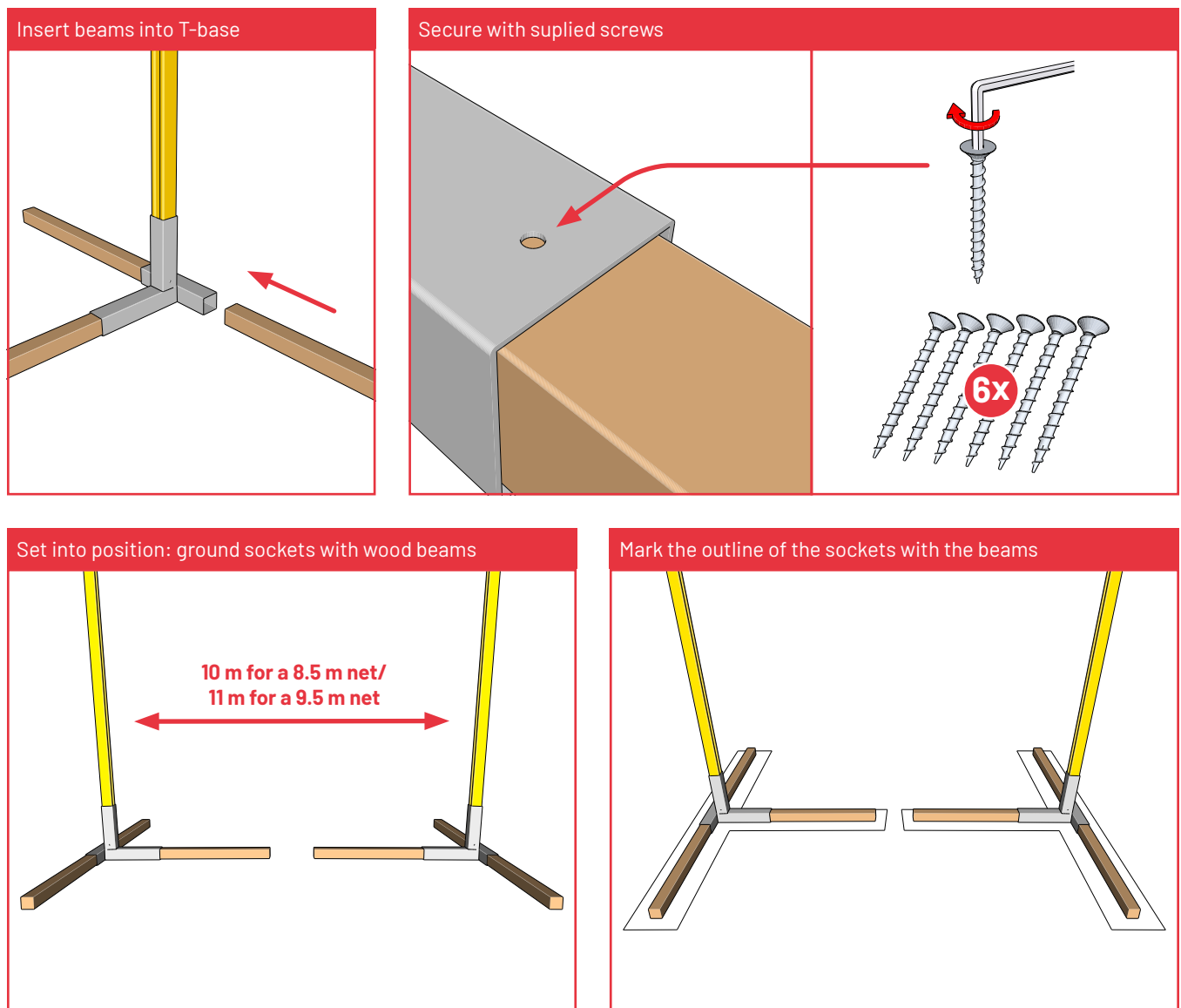
When building a sand court we suggest to fill up the sand first of all. Afterwards you can just dig in the freestanding City Beach ground sockets and set up the net system. We consider a permanent sand level of 40-50 cm as ideal. It is recommended to fill the sand higher towards the centre of the two halves of the court. It will be „played away“ from here towards the net and outwards. Please make sure to create a minimum sand level of 35 cm around the ground sockets for this type of ground installation.

Example: Approximately 250 tons sand are required for a sand court with 14 x 22 m dimensions (for recreational sports) and a sand level of approximately 45 cm. Calculation: volume in m³ x density factor (e.g.: 1.8 - depending on the grain size and the sand quality)



Required for assembly:

Pressure-treated square wood beams, 6 pieces, each 1500 x 88 x 88 mm (maximum dimensions: 1500 x 90 x 90 mm), e.g. made of pine wood or equivalent, suitable for permanent ground contact.

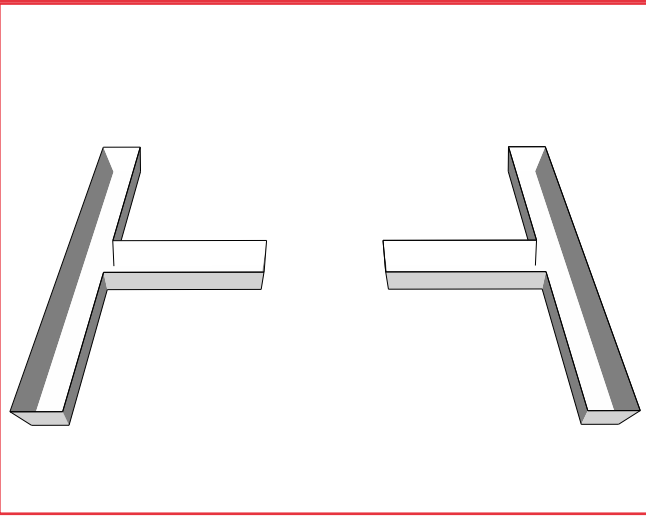


INSTALLATION STEPS

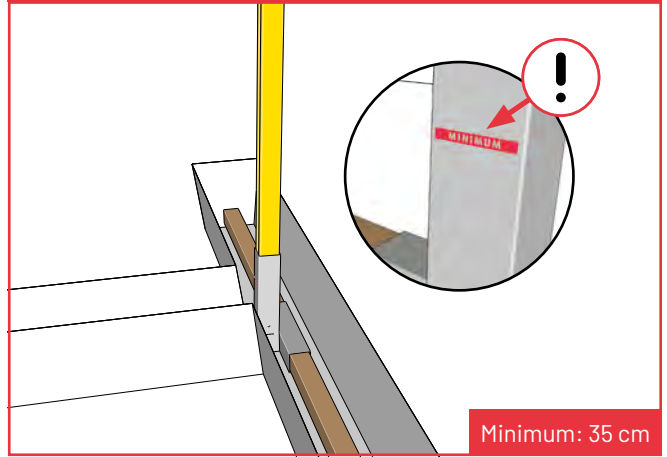


FREESTANDING

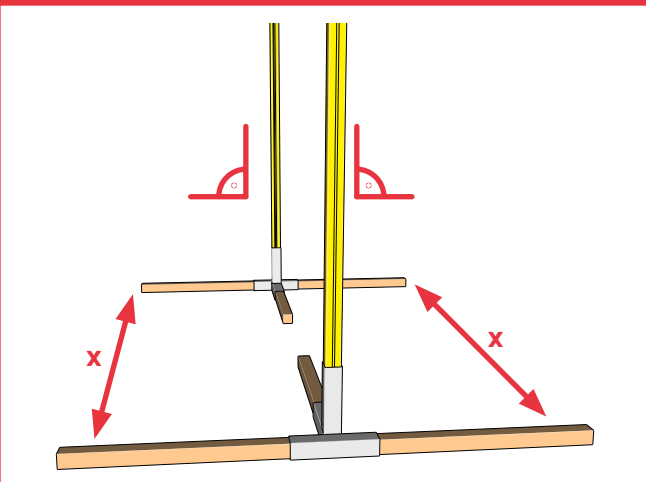
Excavate sand according to outlines



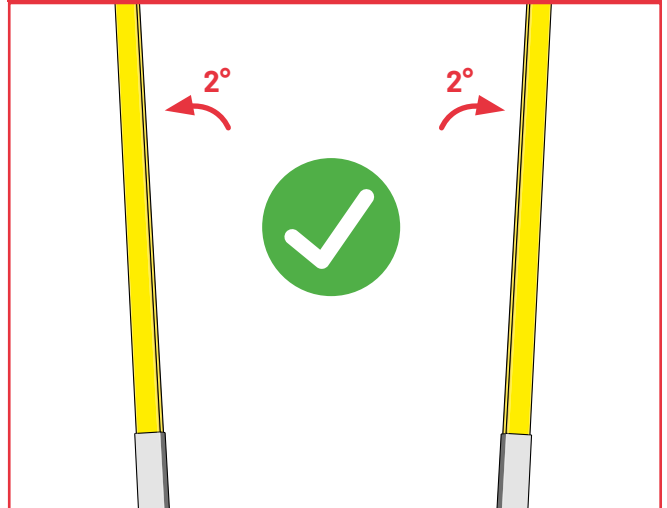
Place the ground sockets with the wood beams in the excavation, keeping a distance from it so that the sand edges do not collapse



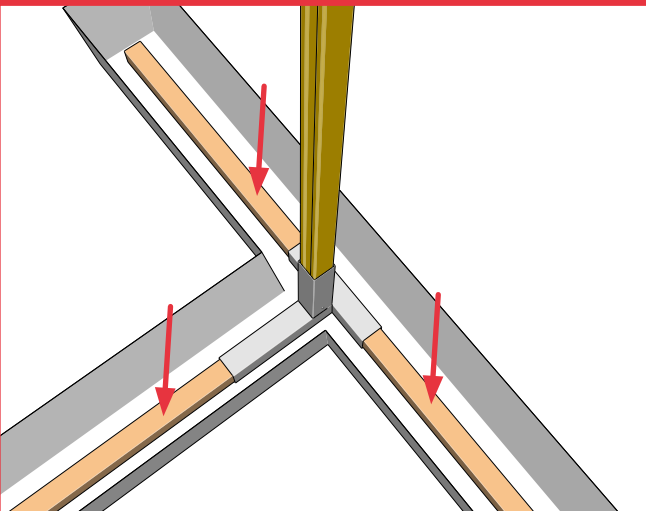
Align the sockets with each other - it is helpful to insert the net posts



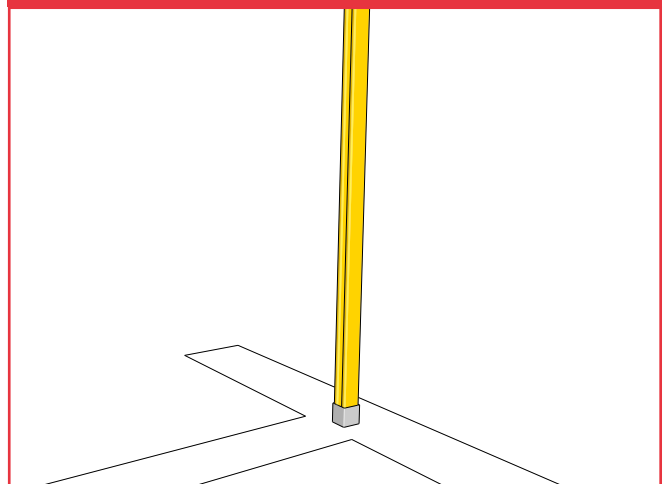
The sockets are already inclined outwards by 2° by design



Step on the wood beams to press them firmly into the sand



Fill up the excavation. Be careful not to move the beams when doing this!



ACCESSORIES



FREESTANDING

Ground socket City Beach
Item-No.: 111211

2x



Square wood beams, 6-piece, for 1 pair
of net posts, Item-No.: 111232

1x



Pro Beach courtline BLACK (8 x 16 m)
Item-No.: 111316

1x



Pro Beach net PLUS, incl. net antennas PLUS, 2-piece, with
velcro strap net holders, Item-No.: 111601

1x



Post pads, square-cut (100 x 100 mm), 1 pair
Item-No.: 111353

1x



REQUIRED PRODUCTS

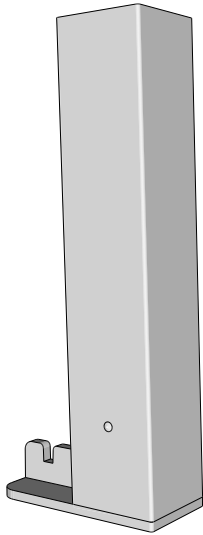


FREESTANDING



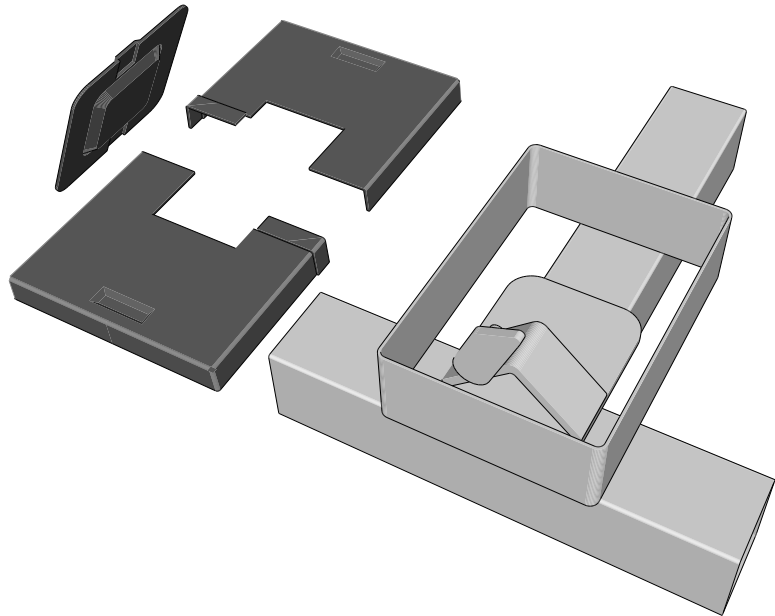
FLEXIBLE

Ground socket Switch, removable
Item-No.: 111210



2x

Switch ground plate with T-base, incl. sand protection frame
and a 3-piece plastic cover, Item-No.: 111220



2x

INSTALLATION STEPS



General information on building beach volleyball courts:

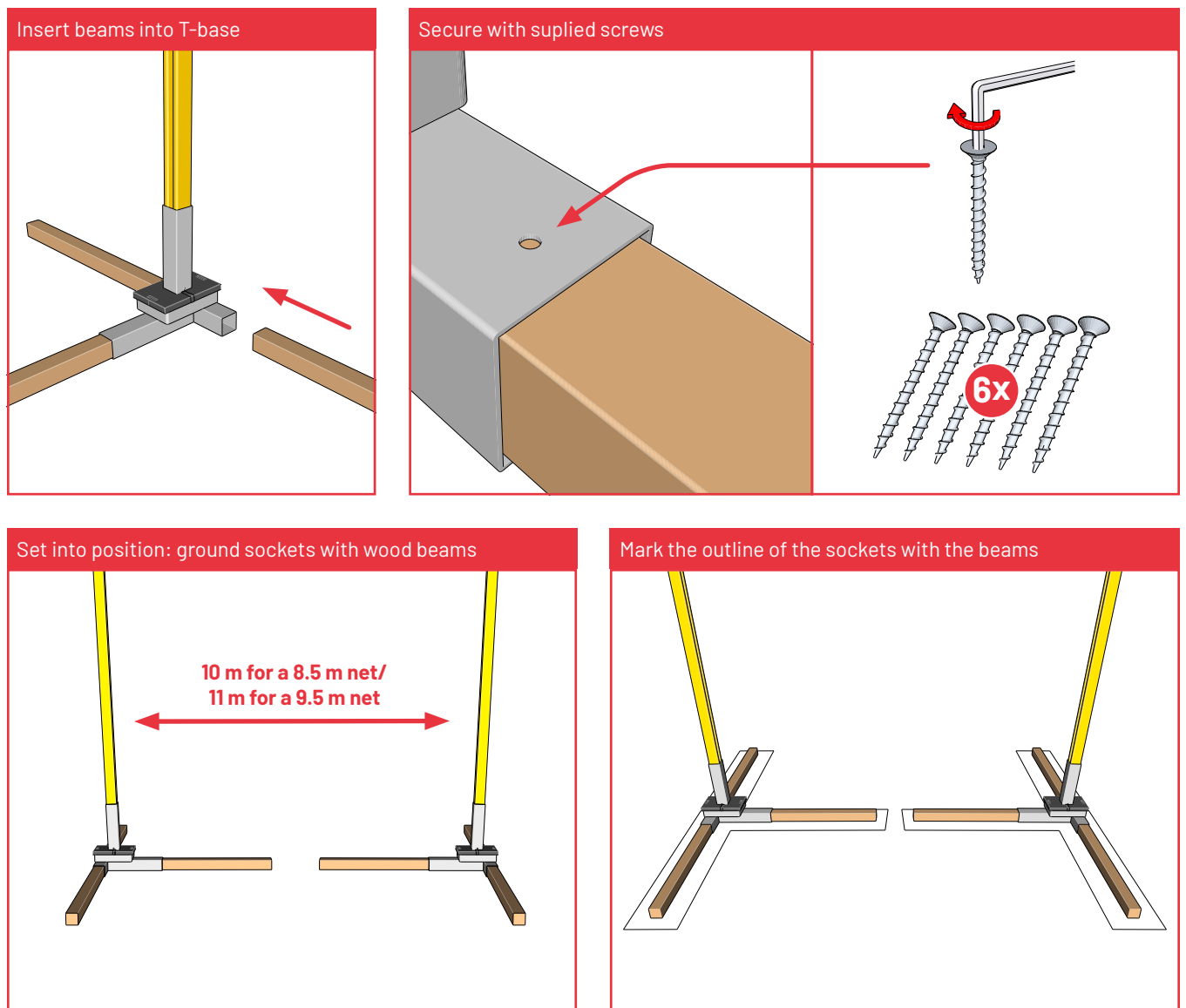
When building a sand court we suggest to fill up the sand first of all. Afterwards you can just dig in the freestanding City Beach ground plates with sockets and set up the net system. We consider a permanent sand level of 40-50 cm as ideal. It is recommended to fill the sand higher towards the centre of the two halves of the court. It will be „played away“ from here towards the net and outwards. Please make sure to create a minimum sand level of 40 cm around the ground sockets for this type of ground installation.

Example: Approximately 250 tons sand are required for a sand court with 14 x 22 m dimensions (for recreational sports) and a sand level of approximately 45 cm. Calculation: volume in m³ x density factor (e.g.: 1.8 - depending on the grain size and the sand quality).



Required for assembly:

Pressure-treated square wood beams, 6 pieces, each 1500 x 88 x 88 mm (maximum dimensions: 1500 x 90 x 90 mm), e.g. made of pine wood or equivalent, suitable for permanent ground contact.



INSTALLATION STEPS

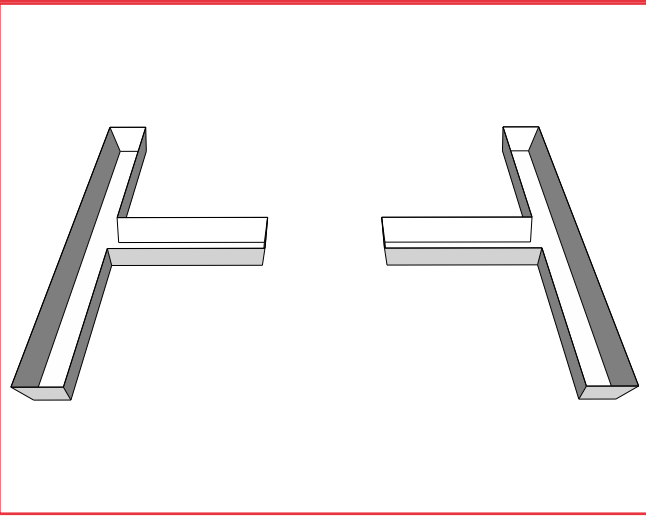


FREESTANDING

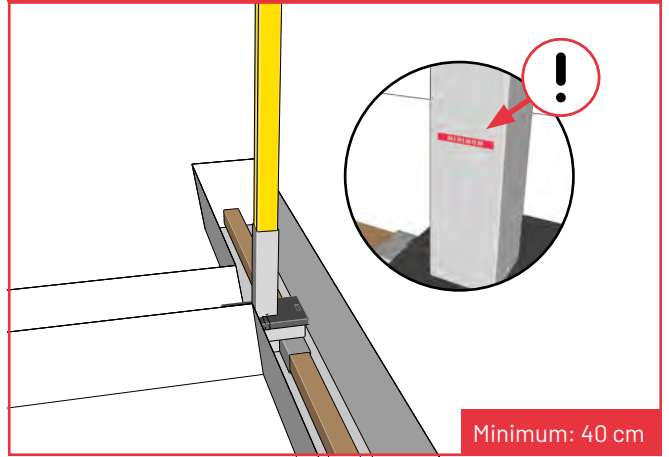


FLEXIBLE

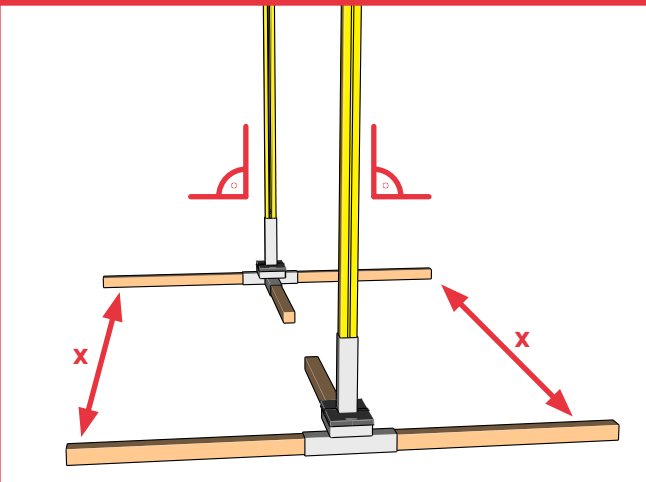
Excavate sand according to outlines



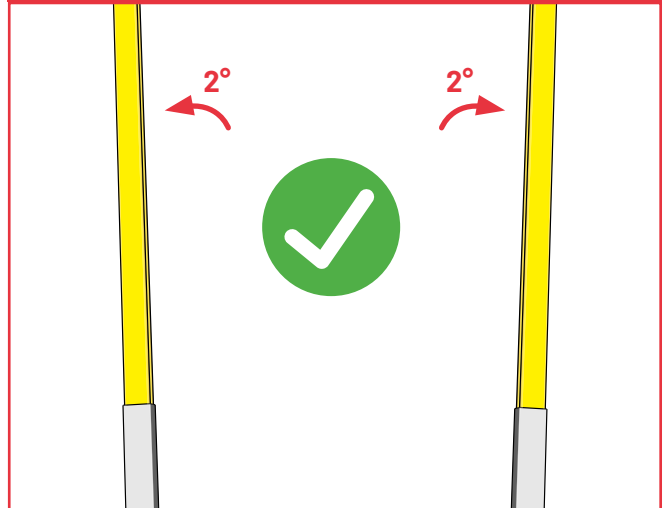
Place the ground sockets with the wood beams in the excavation, keeping a distance from it so that the sand edges do not collapse



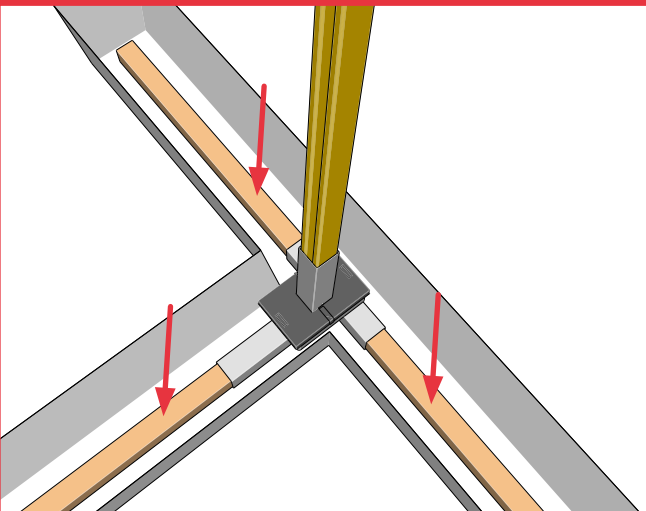
Align the sockets with each other - it is helpful to insert the net posts



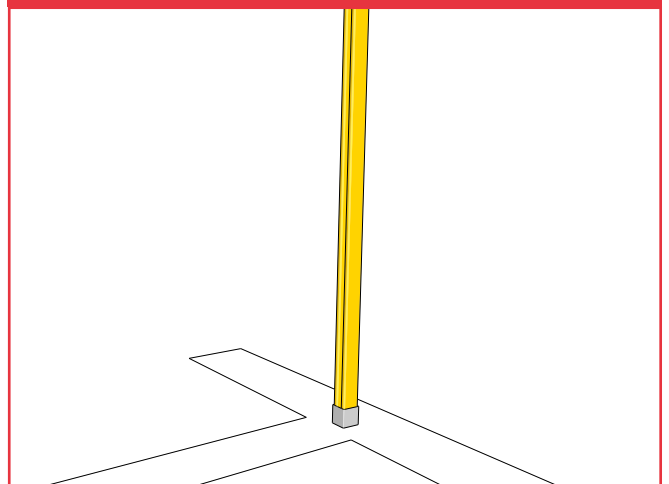
The sockets are already inclined outwards by 2° by design



Step on the wood beams to press them firmly into the sand



Fill up the excavation. Be careful not to move the beams when doing this!



ACCESSORIES



FREESTANDING



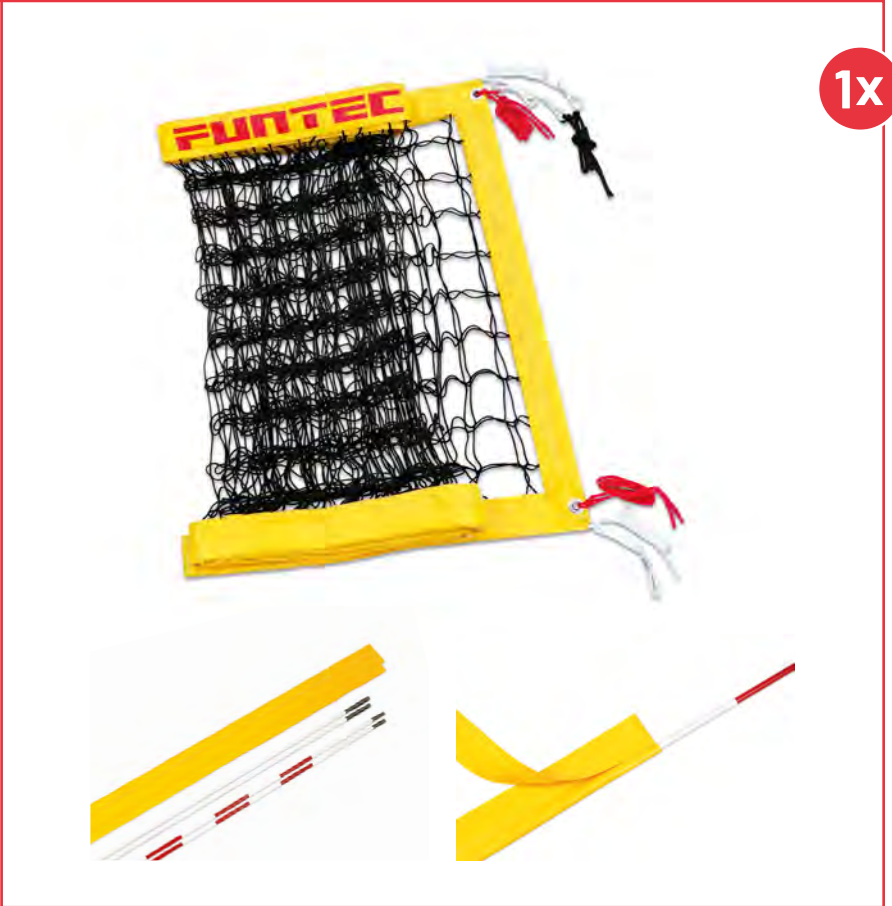
FLEXIBLE

Square wood beams, 6-piece, for 1 pair of net posts, Item-No.: 111232



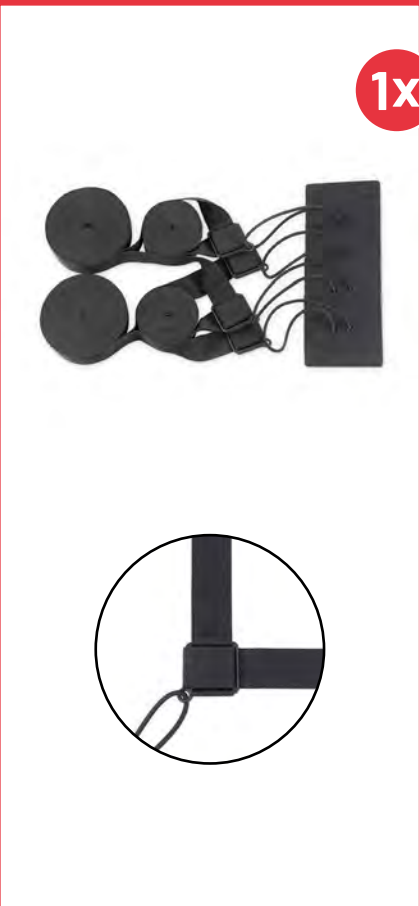
1x

Pro Beach net PLUS, incl. net antennas PLUS, 2-piece, with velcro strap net holders, Item-No.: 111601



1x

Pro Beach courtline BLACK (8 x 16 m)
Item-No.: 111316



1x

Post pads, square-cut (100 x 100 mm), 1 pair
Item-No.: 111353



1x

INSTALLATION STEPS



General information on building beach volleyball courts:

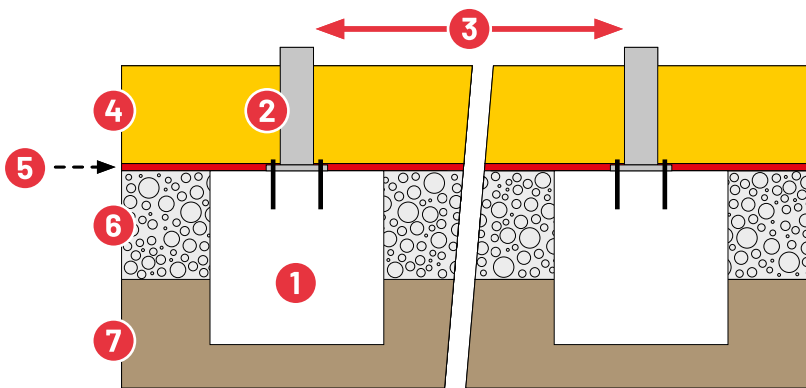
When building a sand court we suggest to fill up the sand first of all. Afterwards you can just dig in the freestanding City Beach ground sockets and set up the net system. We consider a permanent sand level of 40-50 cm as ideal. It is recommended to fill the sand higher towards the centre of the two halves of the court. It will be „played away“ from here towards the net and outwards. Please make sure to create a minimum sand level of 35 cm around the ground sockets for this type of ground installation.

Example: Approximately 250 tons sand are required for a sand court with 14 x 22 m dimensions (for recreational sports) and a sand level of approximately 45 cm. Calculation: volume in m³ x density factor (e.g.: 1.8 - depending on the grain size and the sand quality).



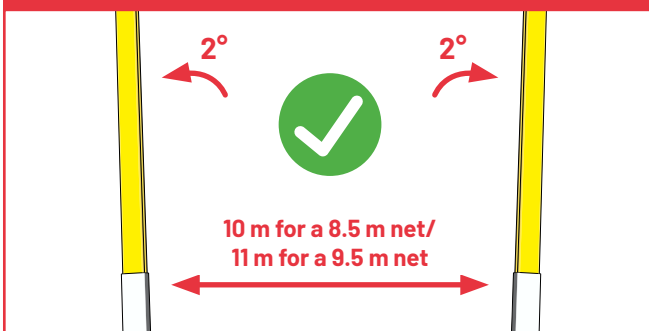
Required for assembly:

Single foundations with closed surface:
 Distance (clear span between sockets): 10 m for a 8.5 m net, 11 m for a 9.5 m net
 Distance between foundation midpoints: 10.10 m for a 8.5 m net, 11.10 m for a 9.5 m net

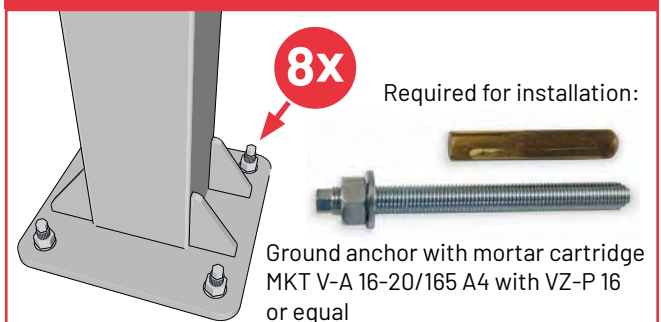


1	Foundation, dimensions: 80 x 80 x 80 cm, class C25/30, built-in welded wire fabric (Q188A)
2	Ground socket, bolted onto the concrete foundation
3	Distance (clear span): 10 m for a 8.5 m net, 11 m for a 9.5 m net Distance between foundation midpoints: 10.10 m for a 8.5 m net, 11.10 m for a 9.5 m net
4	Sand (minimum sand level: see red marking)
5	Drainage matting/geomembrane
6	Drainage/base layer, 50 cm approx.
7	Soil

The sockets are already inclined outwards by 2° by design



Screw down the sockets onto the foundation



[Download installation info](#)

ACCESSORIES



FIXED

Ground socket with bolt-down base
Item-No.: 111212

2x



Steel ground anchor, with mortar
cartridge, Item-No.: 111213

8x



Pro Beach courtline BLACK (8 x 16 m)
Item-No.: 111316

1x



Pro Beach net PLUS, incl. net antennas PLUS, 2-piece, with
velcro strap net holders, Item-No.: 111601

1x



Post pads, square-cut (100 x 100 mm), 1 pair
Item-No.: 111353

1x



REQUIRED PRODUCTS

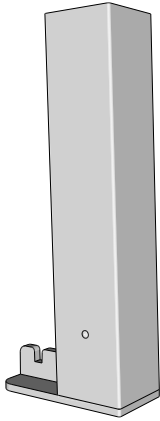


FIXED



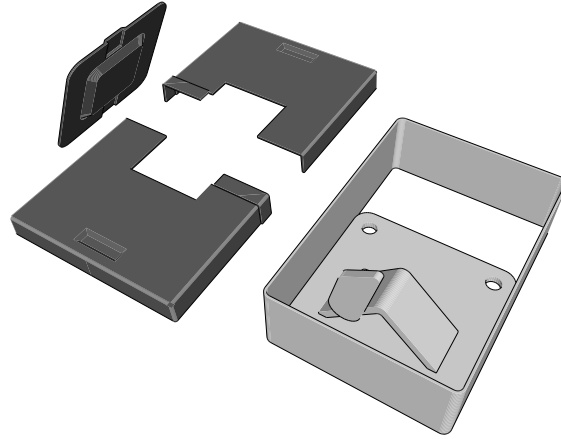
FLEXIBLE

Ground socket Switch, removable
Item-No.: 111210



2x

Switch bolt-down ground plate, incl. sand protection frame
and a 3-piece plastic cover, Item-No.: 111219



2x



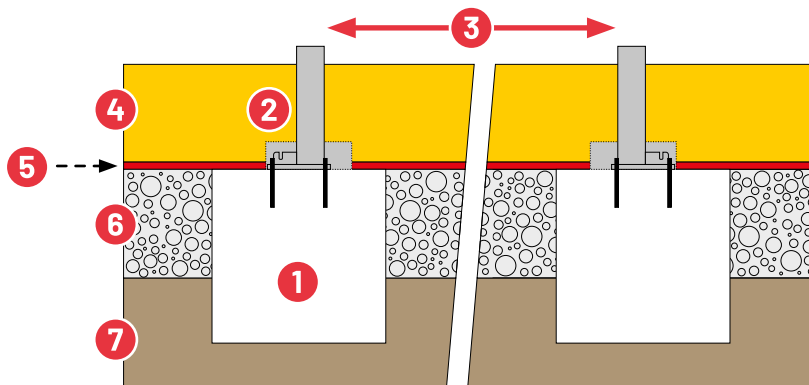
Minimum sand level: 30 cm

Required for assembly:

Single foundations with closed surface:

Distance (clear span between sockets): 10 m for a 8.5 m net, 11 m for a 9.5 m net

Distance between foundation midpoints: 10.20 m for a 8.5 m net, 11.20 m for a 9.5 m net



- | | |
|---|--|
| 1 | Foundation, dimensions: 80 x 80 x 80 cm, class C25/30, built-in welded wire fabric (Q188A) |
| 2 | Ground socket, bolted onto the concrete foundation |
| 3 | Distance (clear span): 10 m for a 8.5 m net, 11 m for a 9.5 m net
Distance between foundation midpoints: 10.20 m for a 8.5 m net, 11.20 m for a 9.5 m net |
| 4 | Sand (minimum sand level: see red marking) |
| 5 | Drainage matting/geomembrane |
| 6 | Drainage/base layer, 50 cm approx. |
| 7 | Soil |

INSTALLATION STEPS

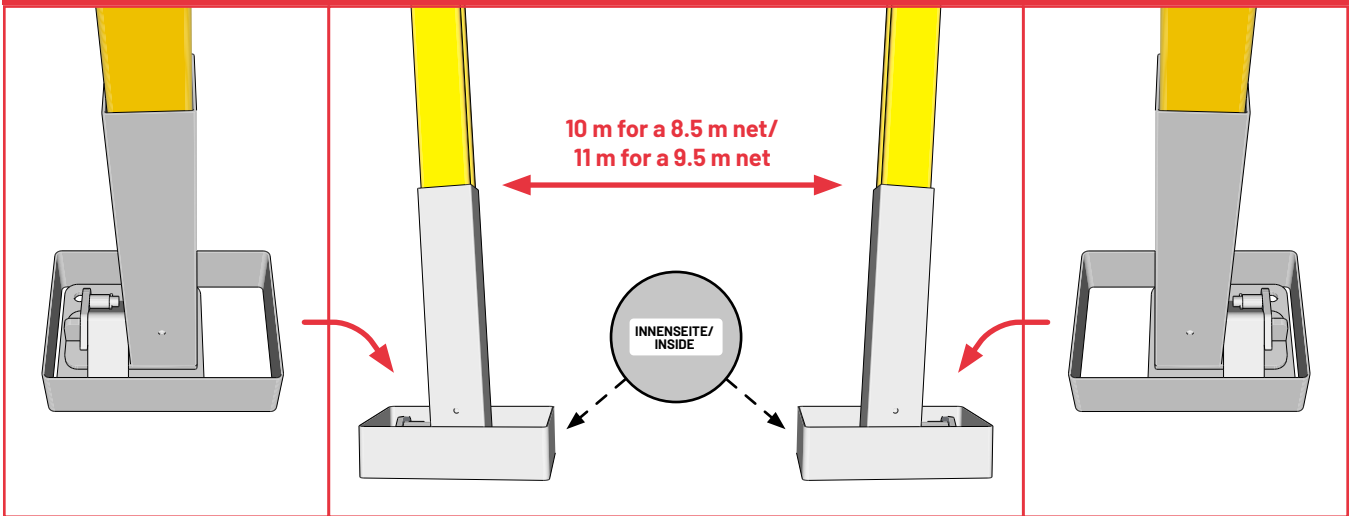


FIXED

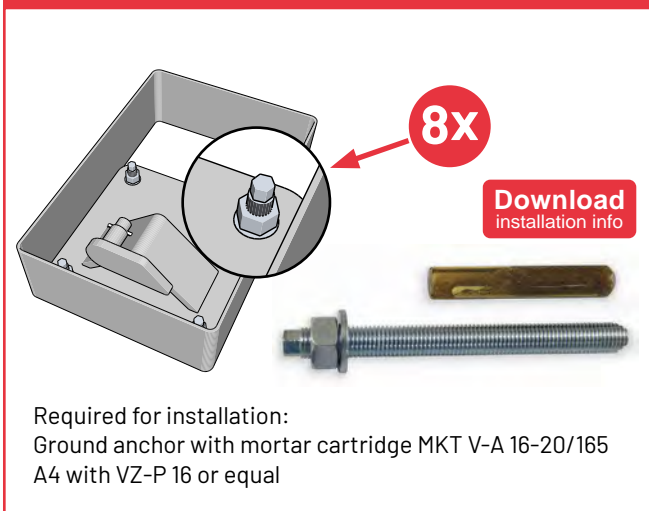


FLEXIBLE

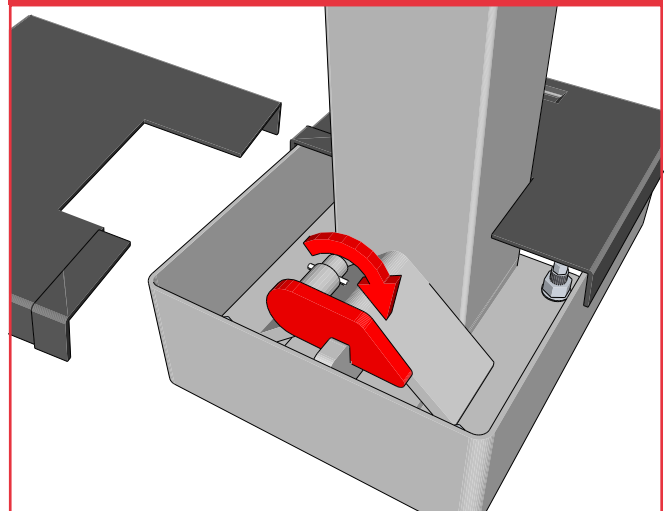
Distance and orientation of ground plates



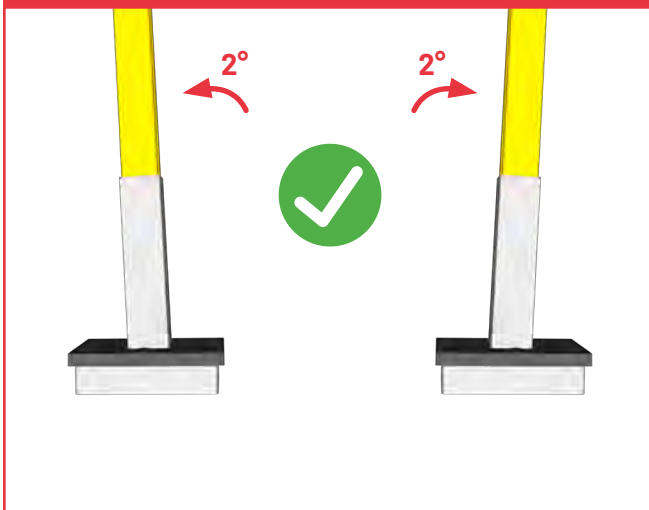
Screw down the sockets onto the foundation



Close the safety latch and install plastic cover



The sockets are already inclined outwards by 2° by design



ACCESSORIES



FIXED



FLEXIBLE

Steel ground anchor, with mortar cartridge
Item-No.: 111213



Pro Beach courtline BLACK (8 x 16 m)
Item-No.: 111316



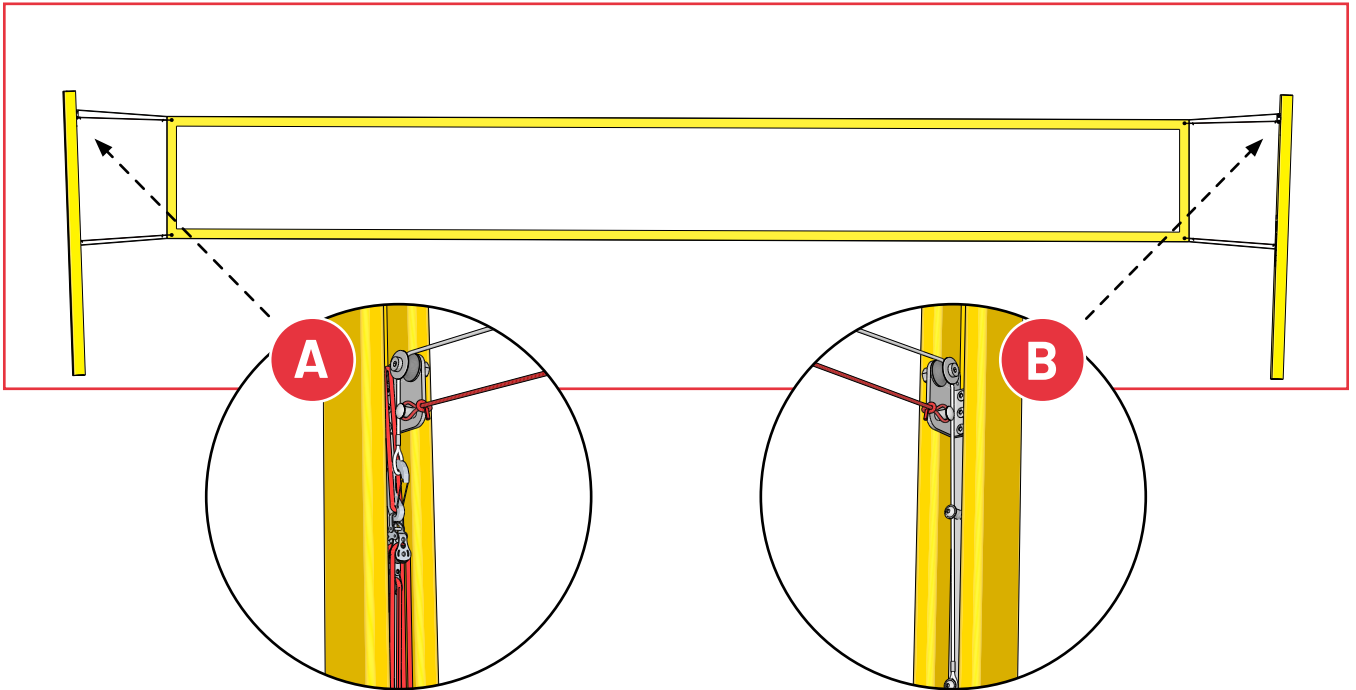
Pro Beach net PLUS, incl. net antennas PLUS, 2-piece, with
velcro strap net holders, Item-No.: 111601



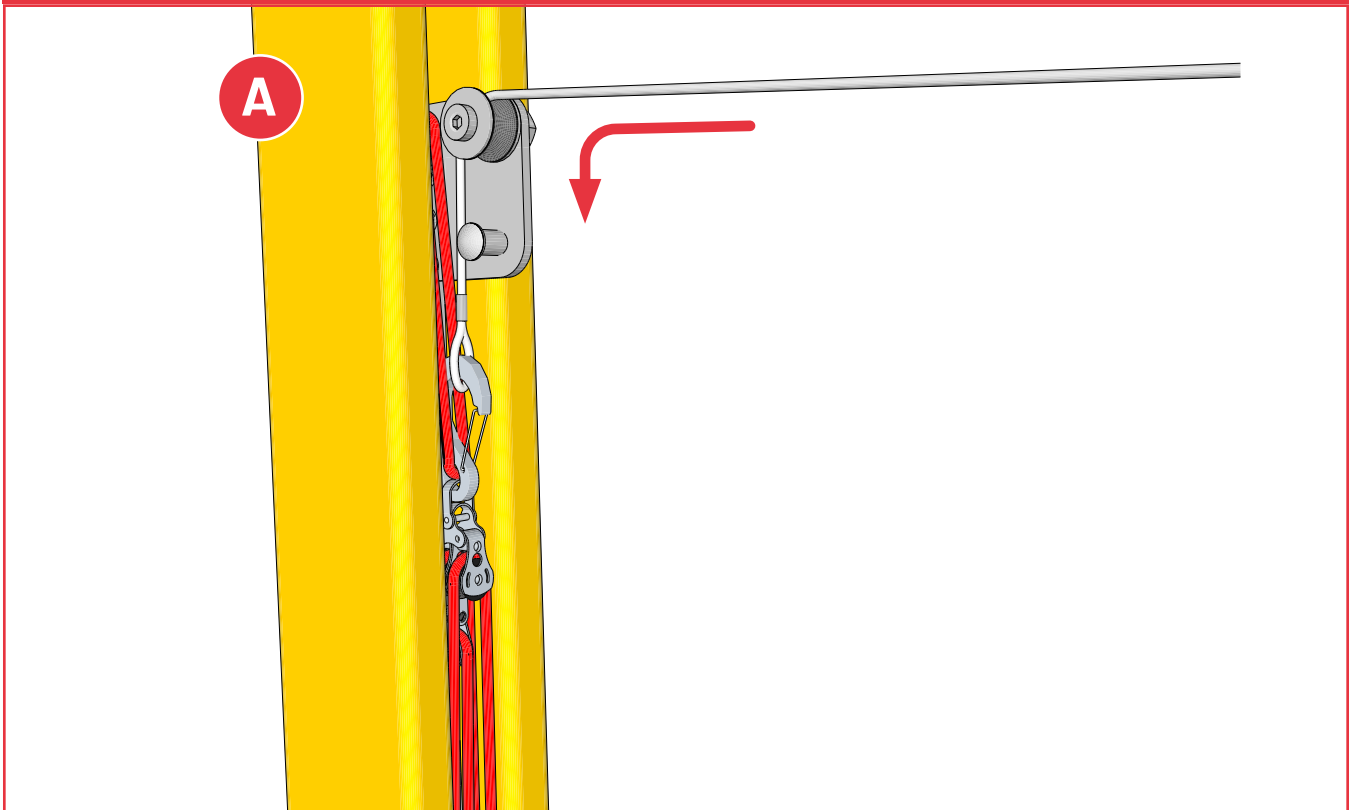
Post pads, square-cut (100 x 100 mm), 1 pair
Item-No.: 111353



NET INSTALLATION

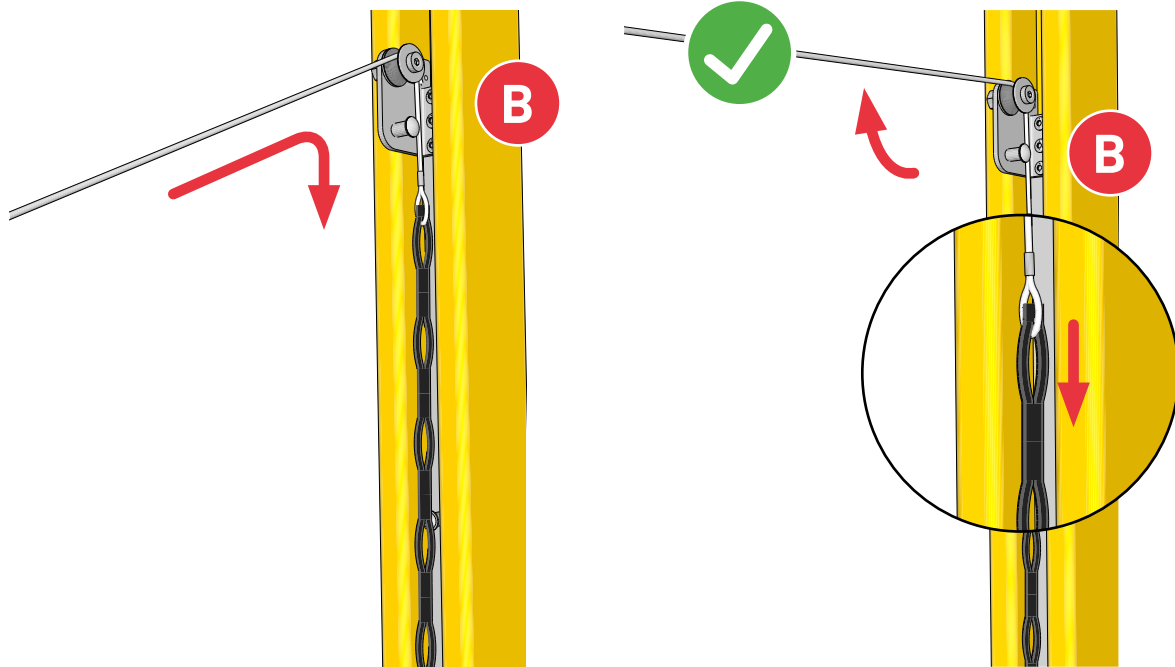


Connect head band net cable to carabiner of the pulley tensioning system

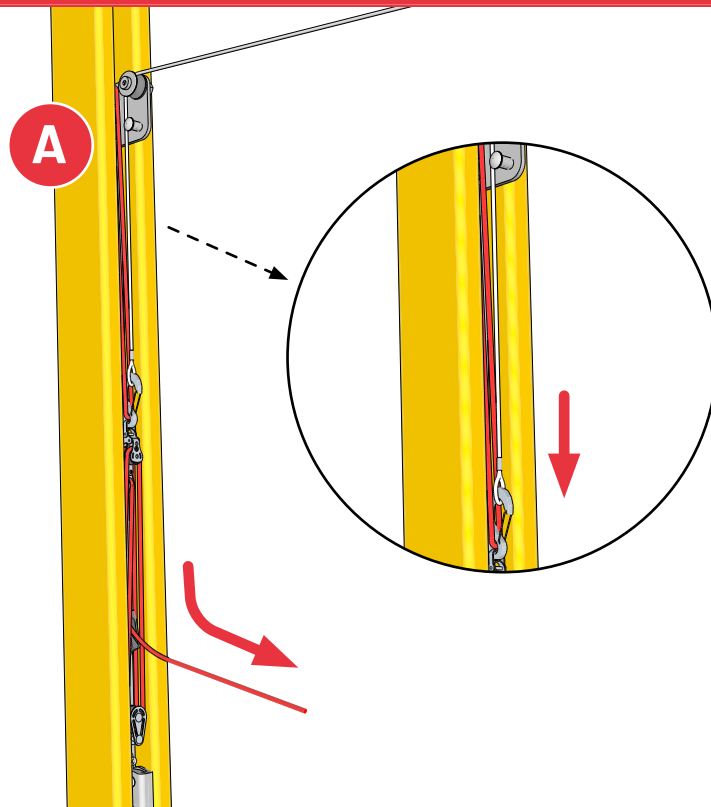


NET INSTALLATION

Install net cable to opposite side and apply some pre-tension by hand

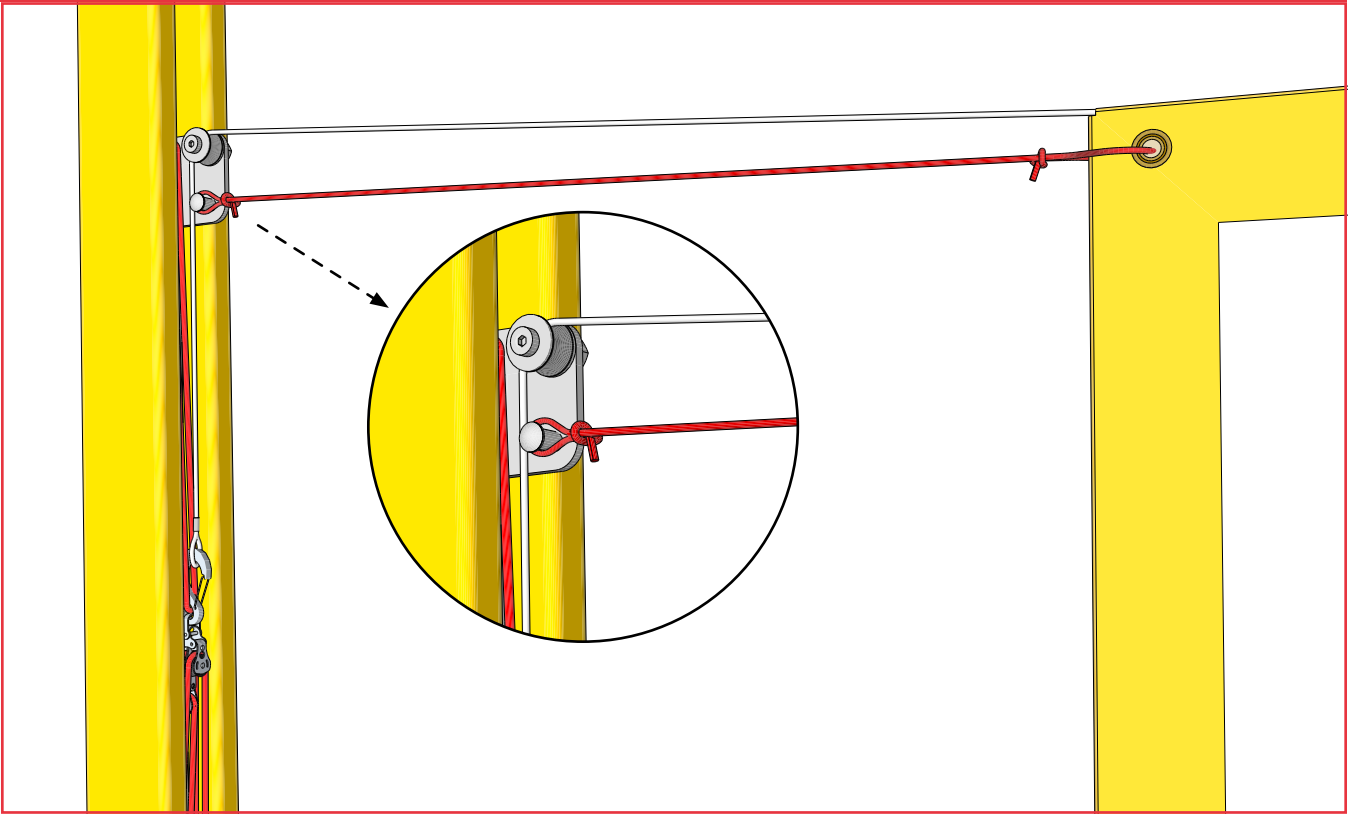


Pull the red pulley rope to achieve the required net tension

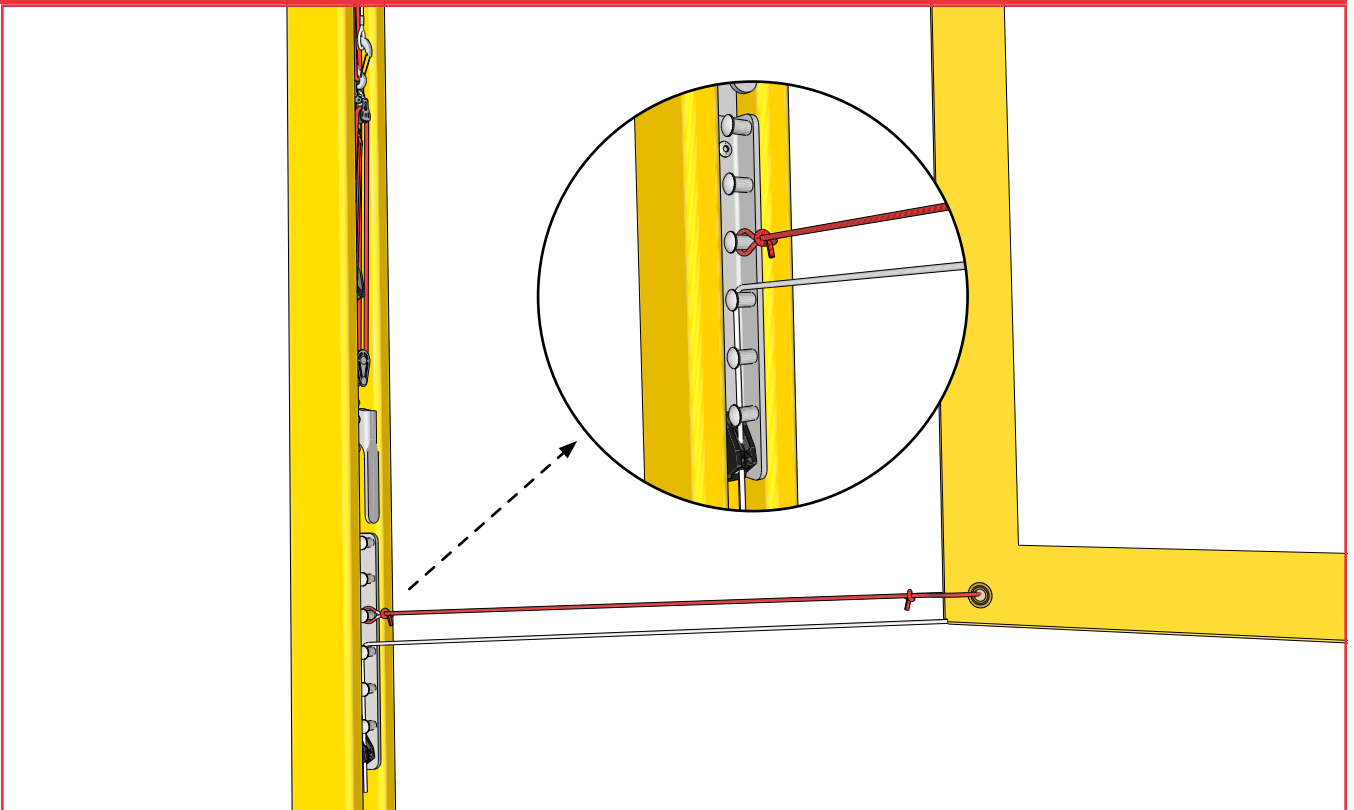


NET INSTALLATION

On both sides: use red ropes to centre the net between the posts



On both sides: tighten the bottom net cord and bring the net into a vertical position



COURTLINE INSTALLATION

ITEM-NO.: 111316

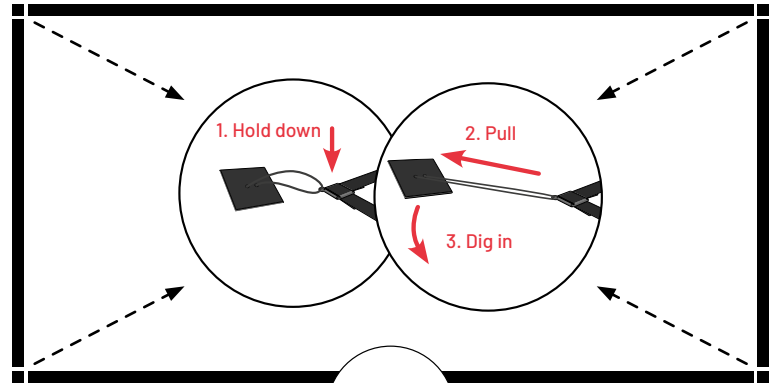
Pro Beach courtline BLACK (8 x 16 m)
Item-No.: 111316



Overview



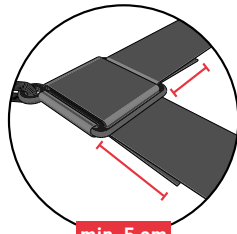
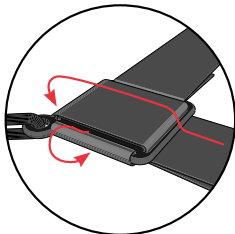
Ready-to-use: ~8 x 16 m (+/- 10 cm)



Centre marking

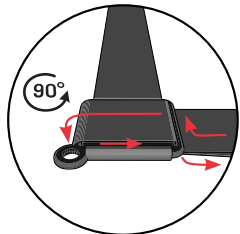
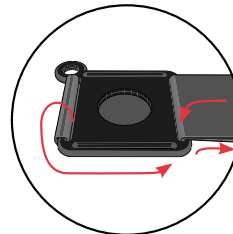
Download
manual

Adjust at corners:



min. 5 cm

Or start anew:

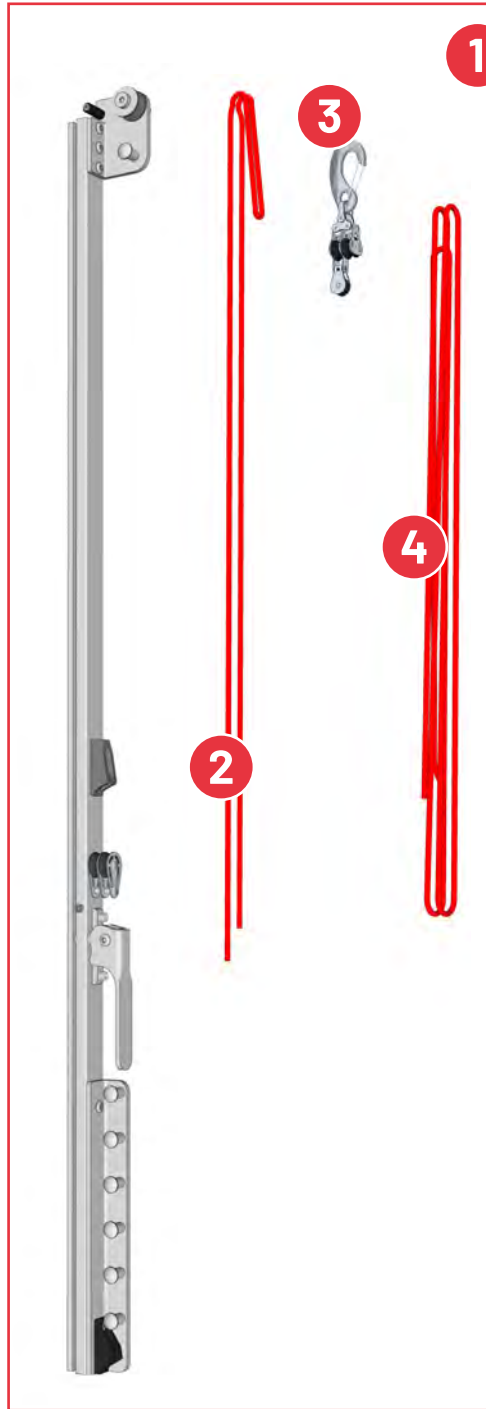
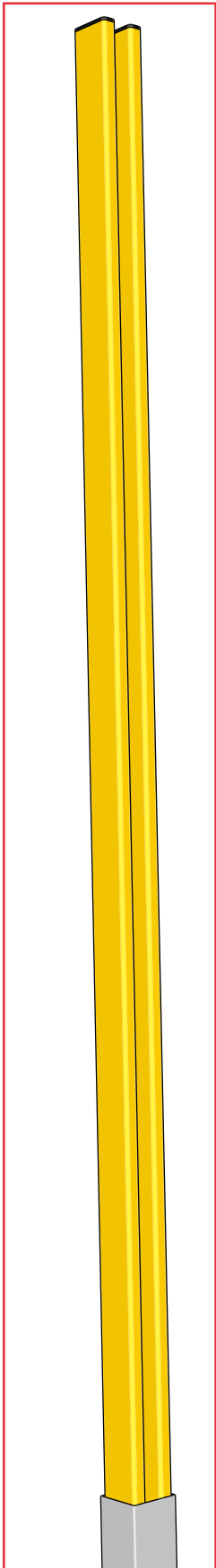


Optional: Centre fixings (Not included in delivery!)



2 x Item-No.: 316-003
+ 2 x Item-No.: 111433

SPARE PARTS



	Description	Item-No.
1	Pulley tensioning slider for Beach Champ posts	203-200
2	Elastic cord, 8 mm diameter, red	206-215
3	Top-block with stainless steel carabiner	206-217
4	Pulley rope, made from polyester	206-218
5	Tensioning counter slider for Beach Champ posts	203-300

BASESPORT^{.SE}

VI ÄR BEACHVOLLEY

Kundtjänst:

Telefon: 0346-800 30

E-post: order@basesport.se

FUNTEC