

USER MANUAL PRO BEACH NET POSTS



BASESPORT.se
VI ÄR BEACHVOLLEY

FUNTEC

TABLE OF CONTENTS

USER MANUAL FOR BEACH VOLLEYBALL NET POSTS PRO BEACH

3

GENERAL INFORMATION

4



FREESTANDING

ITEM-NO.: 111206 - WITH CITY BEACH SOCKETS

10



FIXED

ITEM-NO.: 111205 - WITH BOLT-DOWN SOCKETS

16



FLEXIBLE

ITEM-NO.: 111204 - WITH REMOVABLE SOCKETS

26

NET INSTALLATION & COURTLINE

30

SPARE PARTS

GENERAL INFORMATION



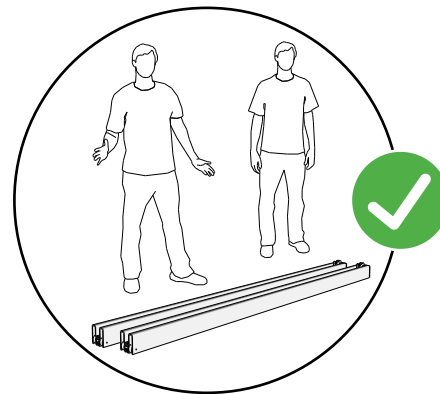
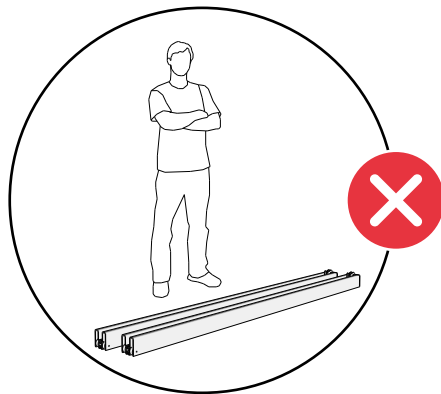
Please read carefully before assembly or use and retain for future use!

Safety instructions

- This product is designed for use at competitions and at top-class sports.
- This product may only be used for its intended purpose, namely for volleyball or similar sports.
- Before using this product, make sure it has been installed properly and all screw connections are properly tightened.
- This product is manufactured in accordance with DIN 33957:2012-04 and fulfils the requirements of DIN EN 1271:2015-01.
- If the posts are removed from the ground sockets, any remaining parts must be covered in such a way that they do not pose a risk of injury.

Assembly instructions

- This product has to be assembled with due care by an adult person. We recommend to call upon the help of at least one other person.
- A level surface measuring at least 14 x 22 m (for recreational sports) or 18 x 26 m (for competition sports) is required to set up this product.
- Depending on the installation variant, foundations of the size and quality described in this manual may be required.
- Please take no unnecessary risks while handling the equipment and be careful when assembling this product.



Maintenance and care

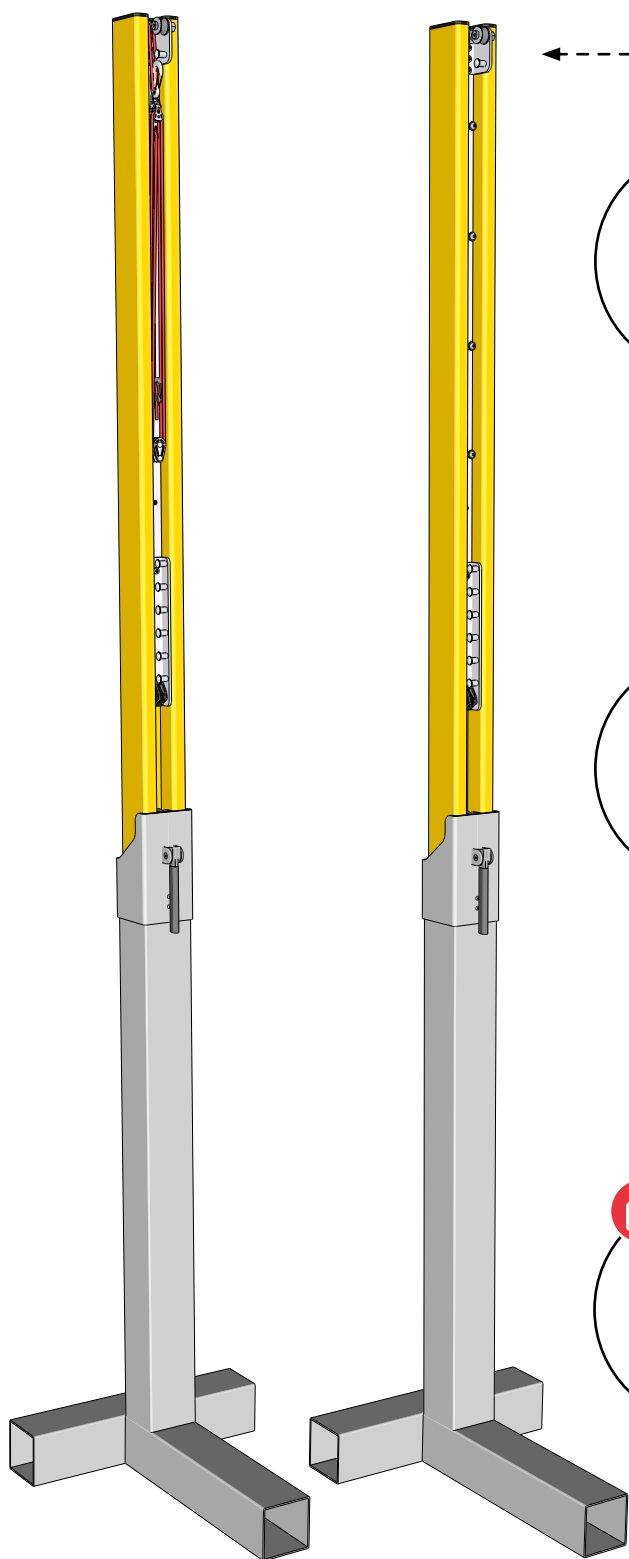
- This product does not require any special maintenance. However, it is necessary to check all components regularly for damage or deformation. Any damaged parts should be replaced as soon as possible.
- For thorough cleaning, ideally use water, together with a mild detergent if necessary. Do not use any corrosive, solvent or abrasive cleaning agents.
- Store in a dry place, ideally at a temperature between 10° and 25° C.



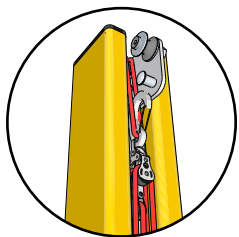
FREESTANDING

BEACH VOLLEYBALL POSTS PRO BEACH

ITEM-NO.: 111206 - WITH FREESTANDING GROUND SOCKETS („CITY BEACH“)

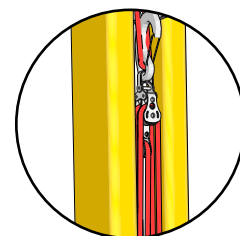


Pro Beach net posts made from powdercoated special aluminium profile (91 x 91 mm), telescopic height adjustment with special socket adapters

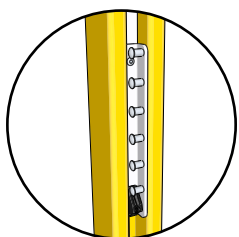


Single-arm suspension, allows easy mounting of net tension cable.

Rope pulley with triple block combination including a stainless steel carabiner with wire gate (for one-handed use).

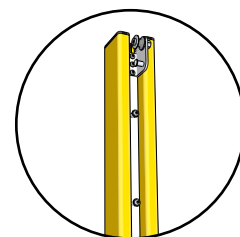


Pulley block system is self-balancing to pulling direction.

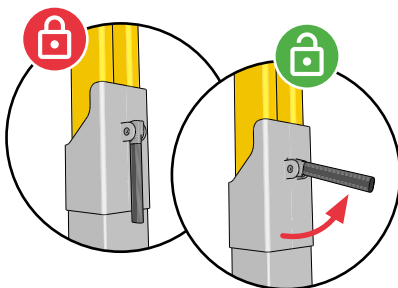


Lower net fastening console with open horizontal pins for selecting the optimum net cord angle.

With additional rope clamp for easy tensioning of the lower net ropes.



Tensioning counter slider with vertical row of four knobs, ideal for choosing the best net pre-tension with differing cable lengths.



Pro Beach sockets with easy-to-use eccentric lever lock.

Maximum ease of use thanks to clear lever positions (open/close)

Ground sockets with T-base for a freestanding installation with square timbers.

SCOPE OF DELIVERY

ITEM-NO.: 111206

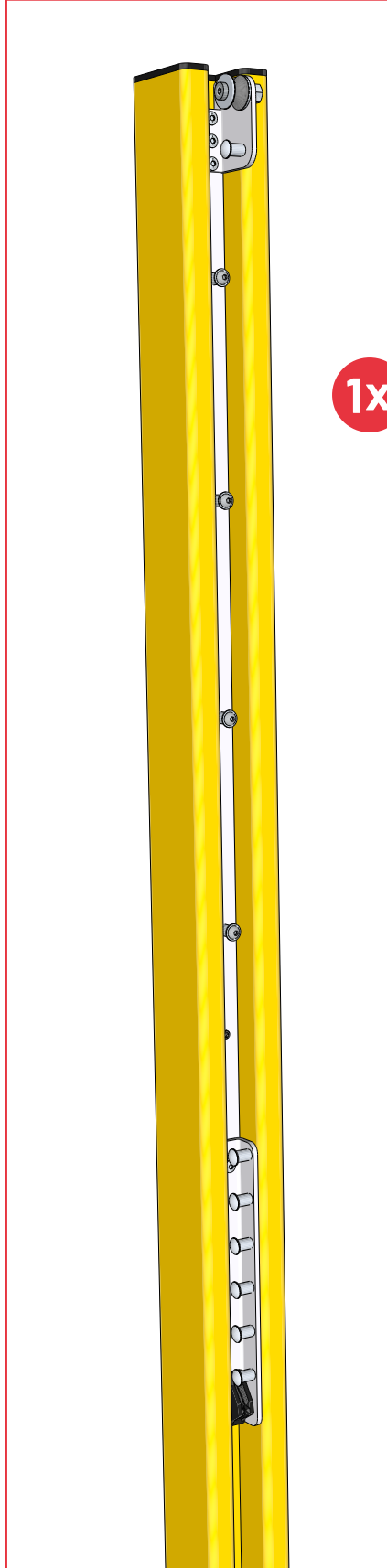


FREESTANDING

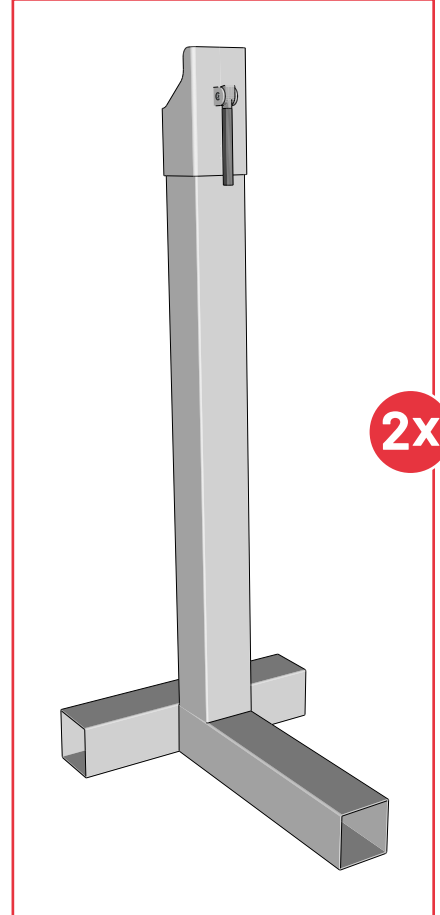
Net post with pulley block tensioning slider



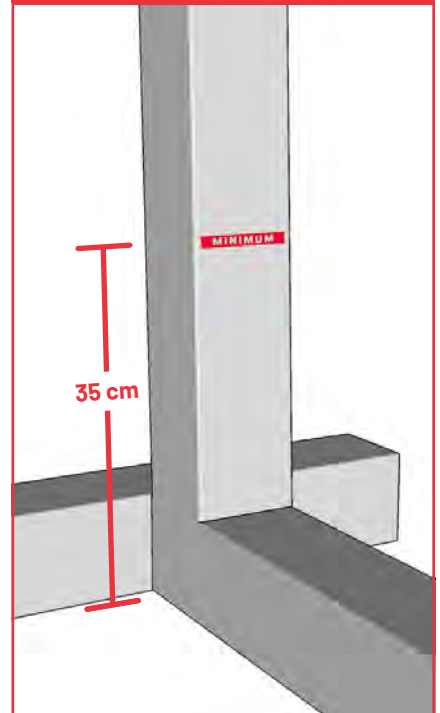
Net post with counter slider



Pro Beach socket with T-base



Minimum sand level (35 cm)

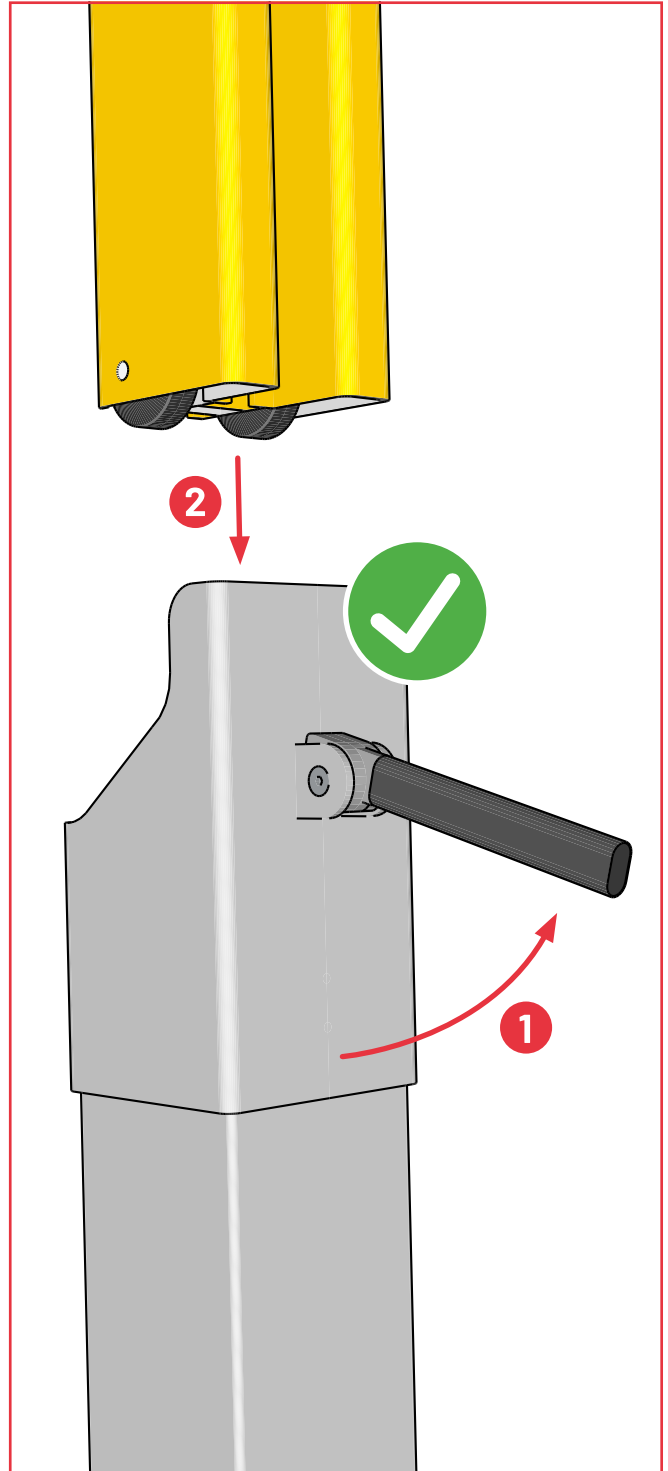
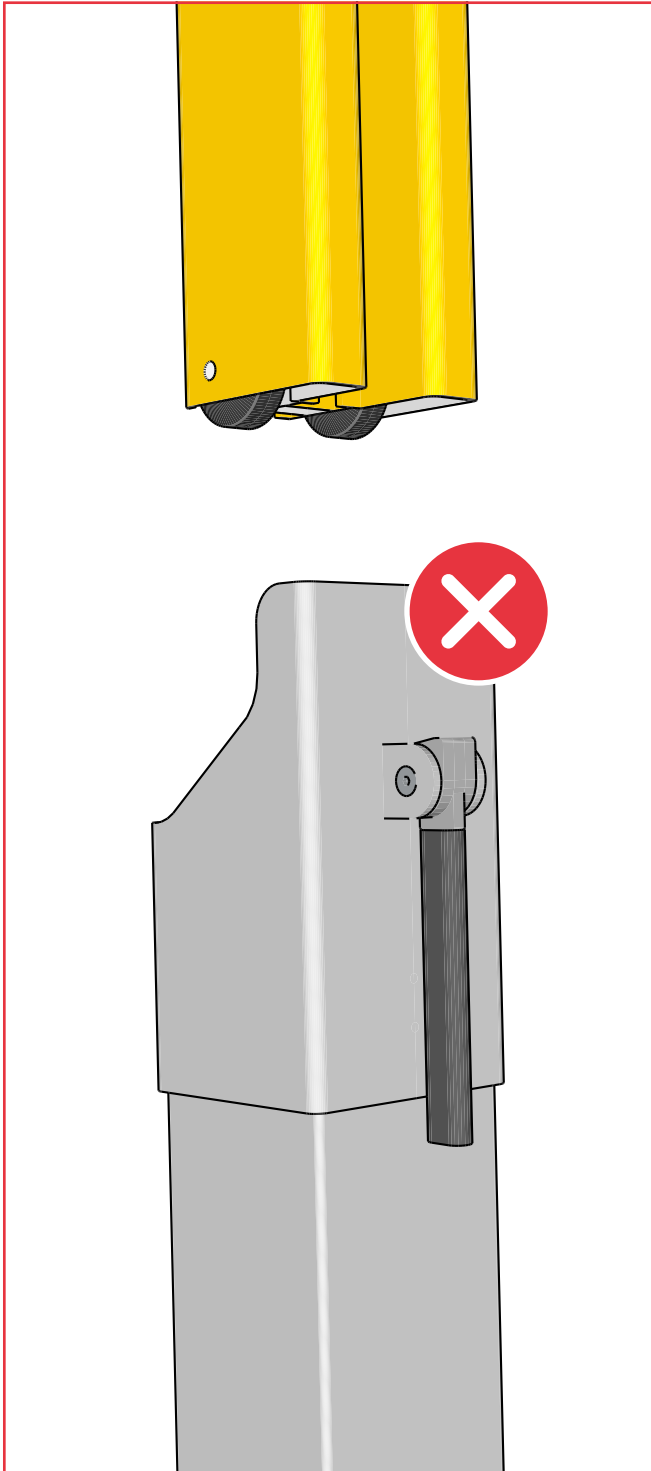


NOTICE!

ITEM-NO.: 111206



FREESTANDING





FREESTANDING

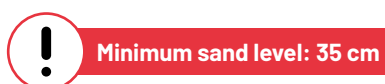
INSTALLATION STEPS

ITEM-NO.: 111206

General information on building beach volleyball courts:

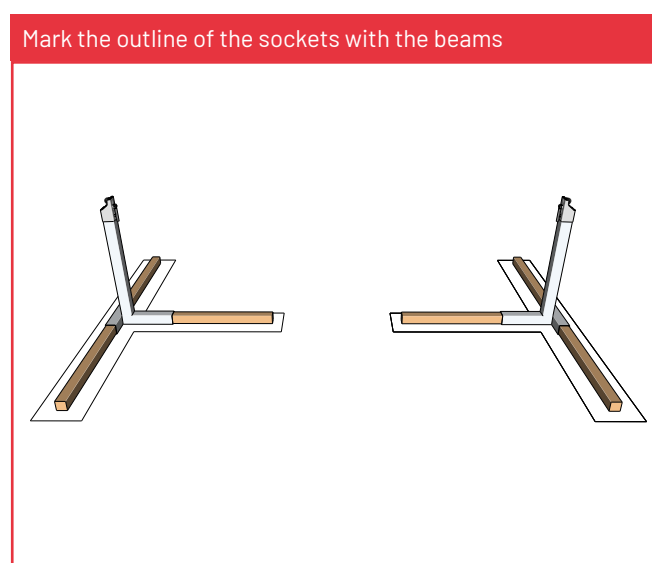
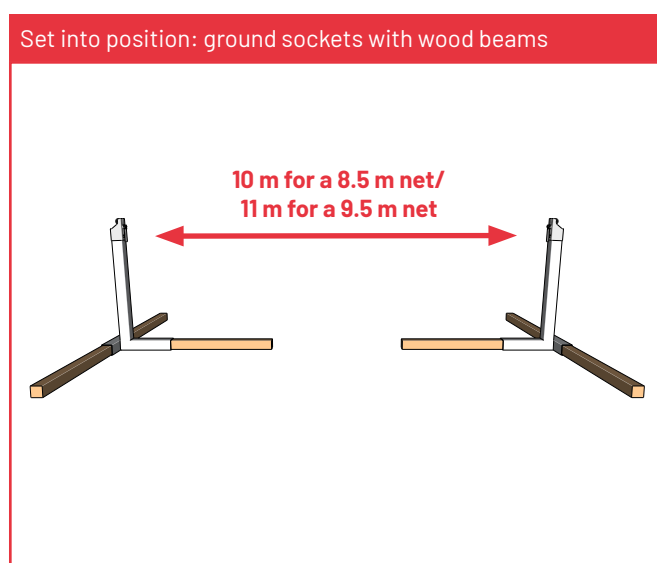
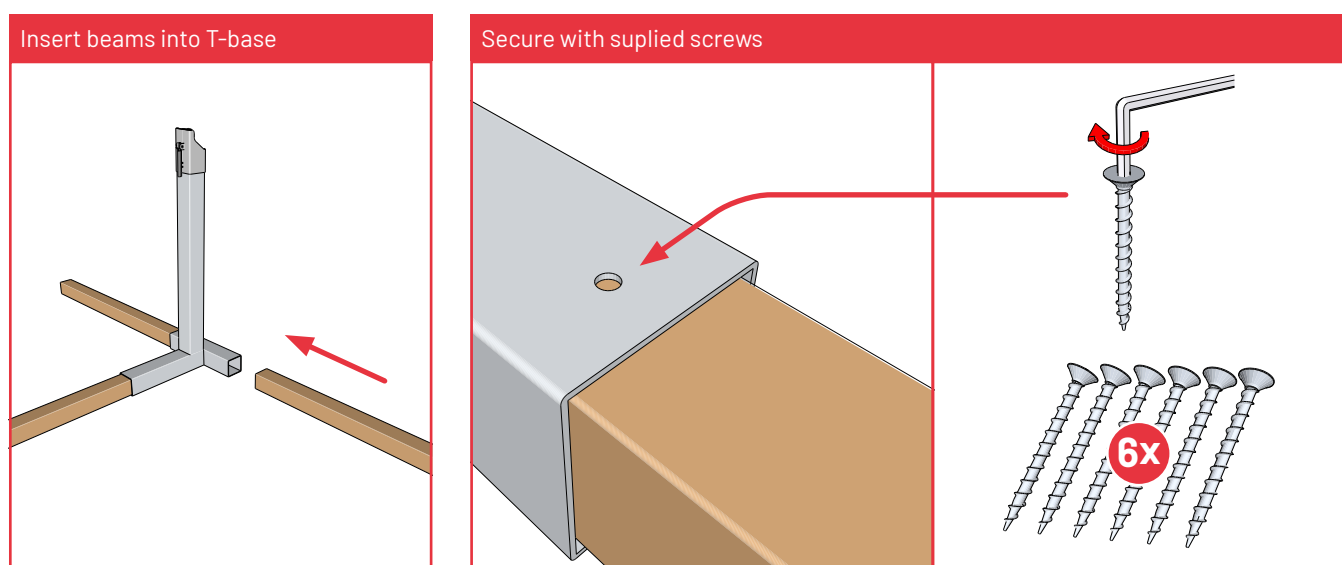
When building a sand court we suggest to fill up the sand first of all. Afterwards you can just dig in the freestanding City Beach ground sockets and set up the net system. We consider a permanent sand level of 40-50 cm as ideal. It is recommended to fill the sand higher towards the centre of the two halves of the court. It will be „played away“ from here towards the net and outwards. Please make sure to create a minimum sand level of 35 cm around the ground sockets for this type of ground installation.

Example: Approximately 250 tons sand are required for a sand court with 14 x 22 m dimensions (for recreational sports) and a sand level of approximately 45 cm. Calculation: volume in m³ x density factor (e.g.: 1.8 - depending on the grain size and the sand quality).



Required for assembly:

Pressure-treated square wood beams, 6 pieces, each 1500 x 88 x 88 mm (maximum dimensions: 1500 x 90 x 90 mm), e.g. made of pine wood or equivalent, suitable for permanent ground contact.



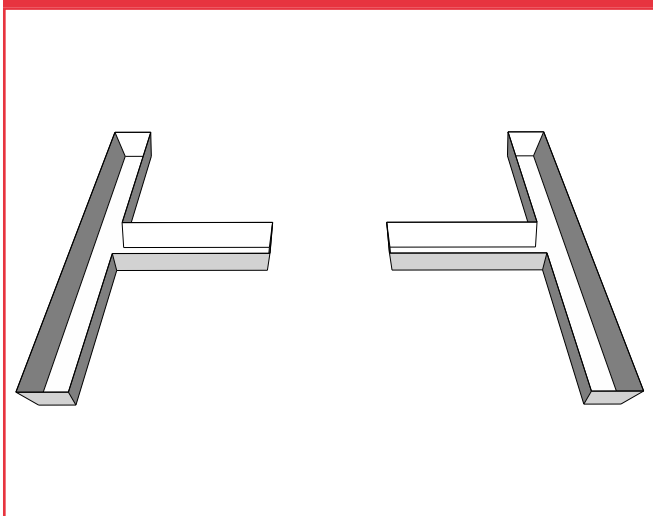


FREESTANDING

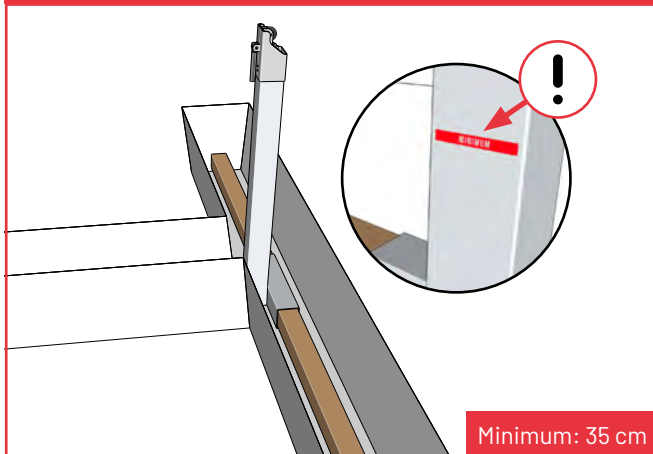
INSTALLATION STEPS

ITEM-NO.: 111206

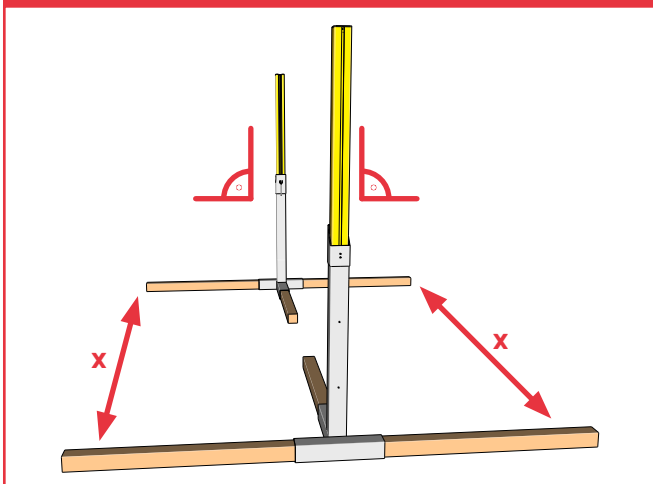
Excavate sand according to outlines



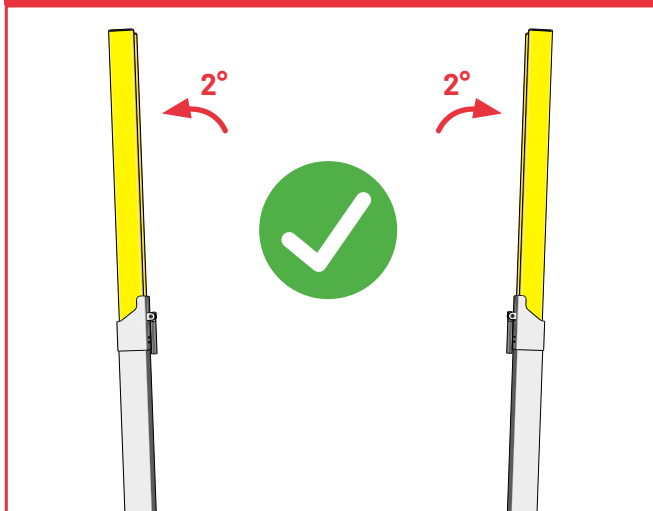
Place the ground sockets with the wood beams in the excavation, keeping a distance from it so that the sand edges do not collapse



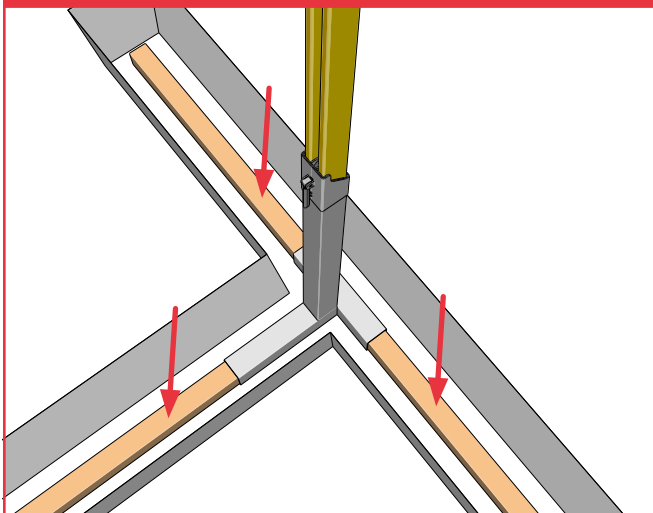
Align the sockets with each other - it is helpful to insert the net posts



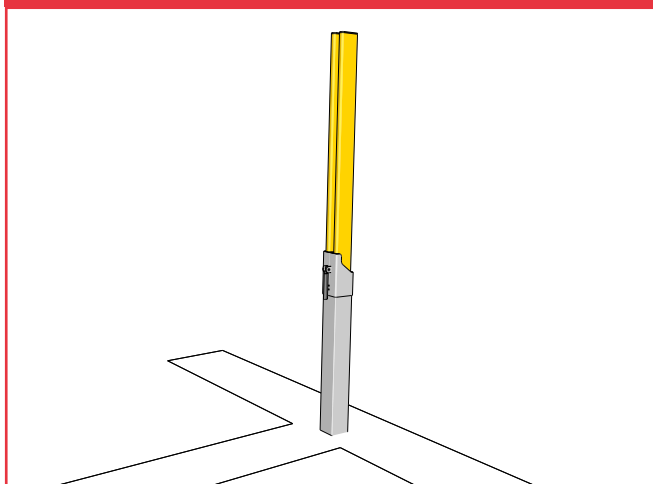
The sockets are already inclined outwards by 2° by design



Step on the wood beams to press them firmly into the sand



Fill up the excavation. Be careful not to move the beams when doing this!



ACCESSORIES

ITEM-NO.: 111206



FREESTANDING

Square wood beams, 6-piece, for 1 pair of net posts, Item-No.: 111232



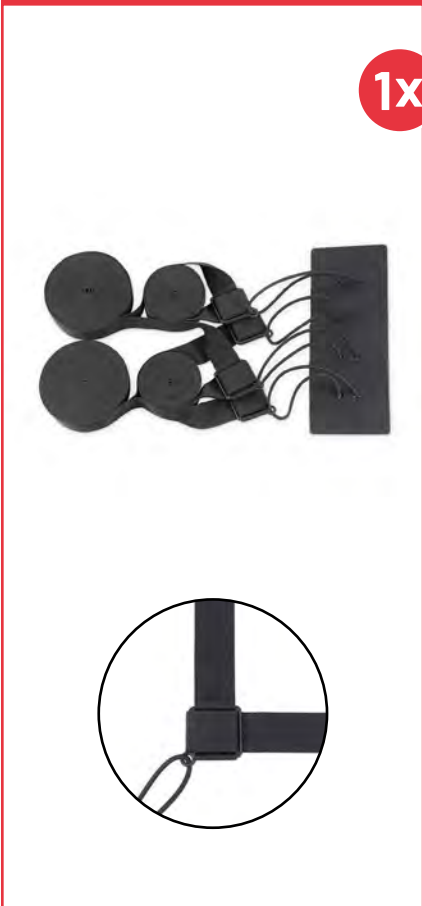
1x

Pro Beach net PLUS, incl. net antennas PLUS, 2-piece, with velcro strap net holders, Item-No.: 111601



1x

Pro Beach courtline BLACK (8 x 16 m)
Item-No.: 111316



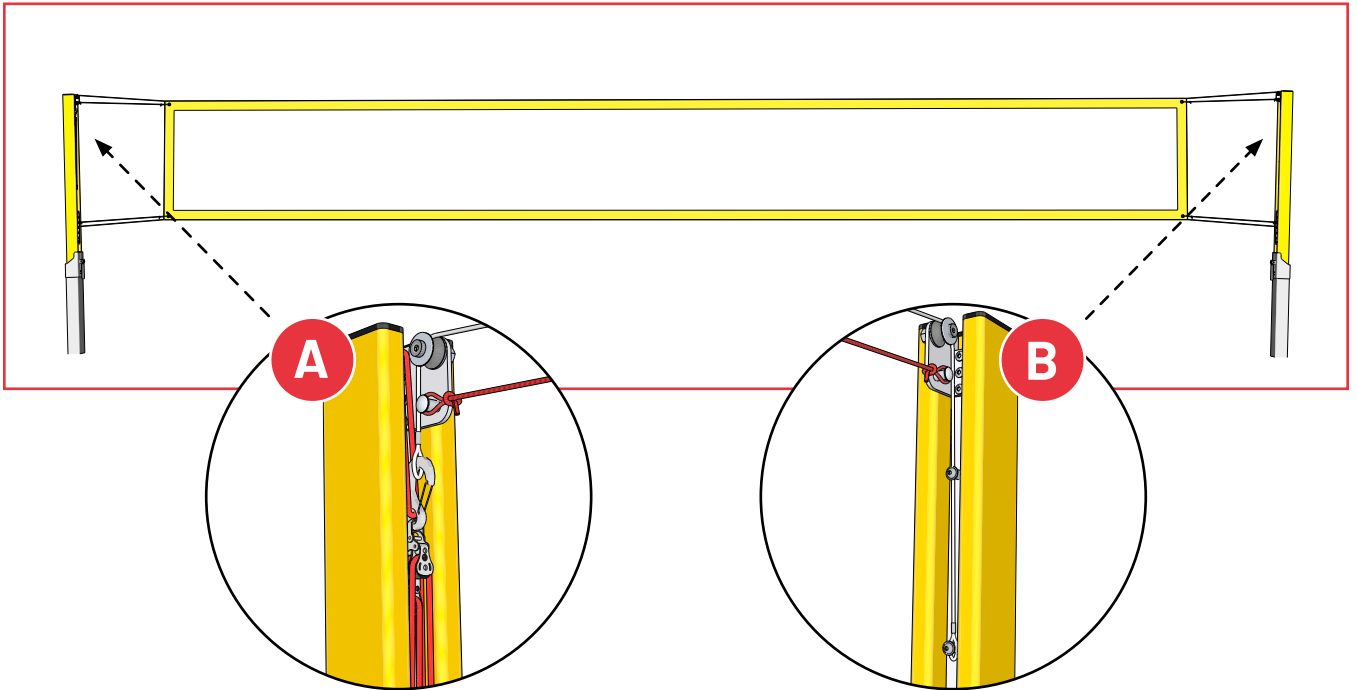
1x

Post pads, square-cut (100 x 100 mm), 1 pair
Item-No.: 111353

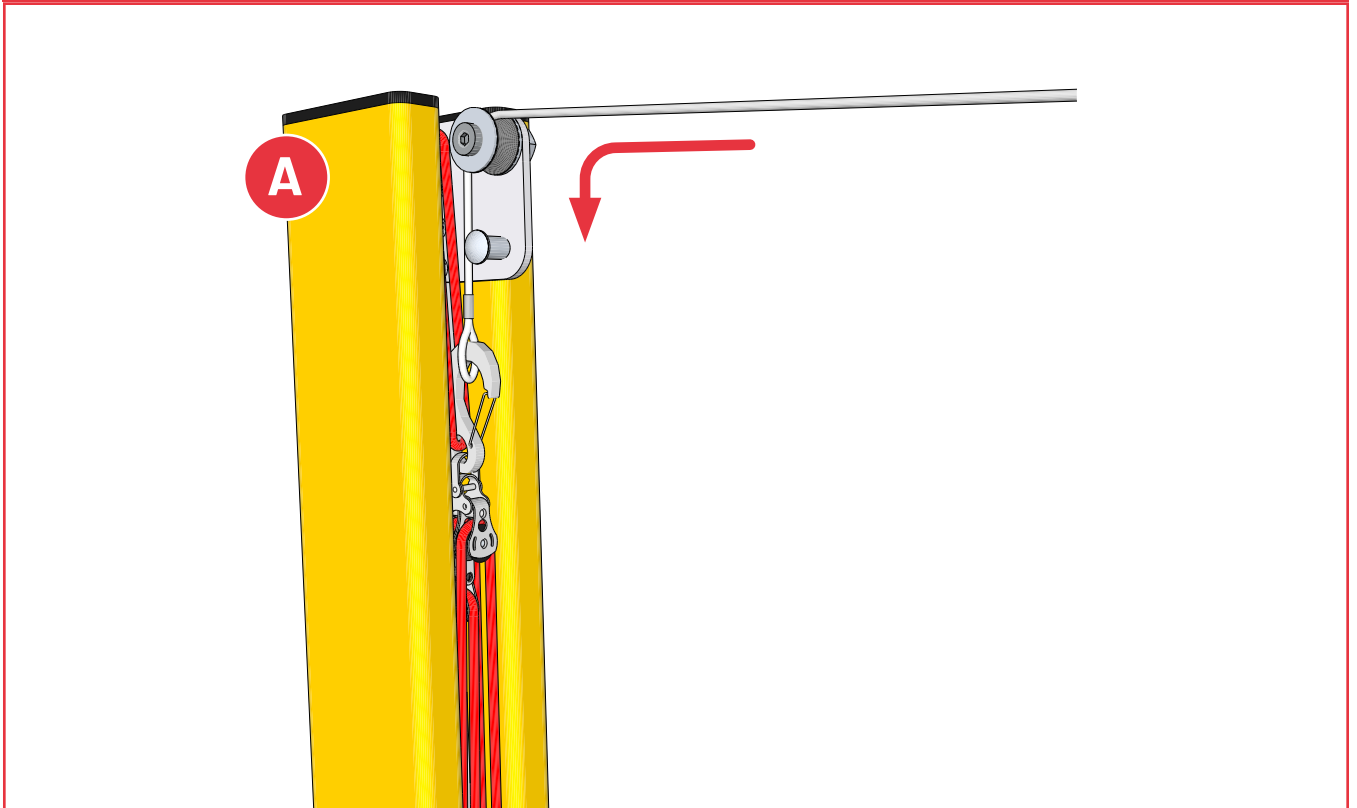


1x

NET INSTALLATION

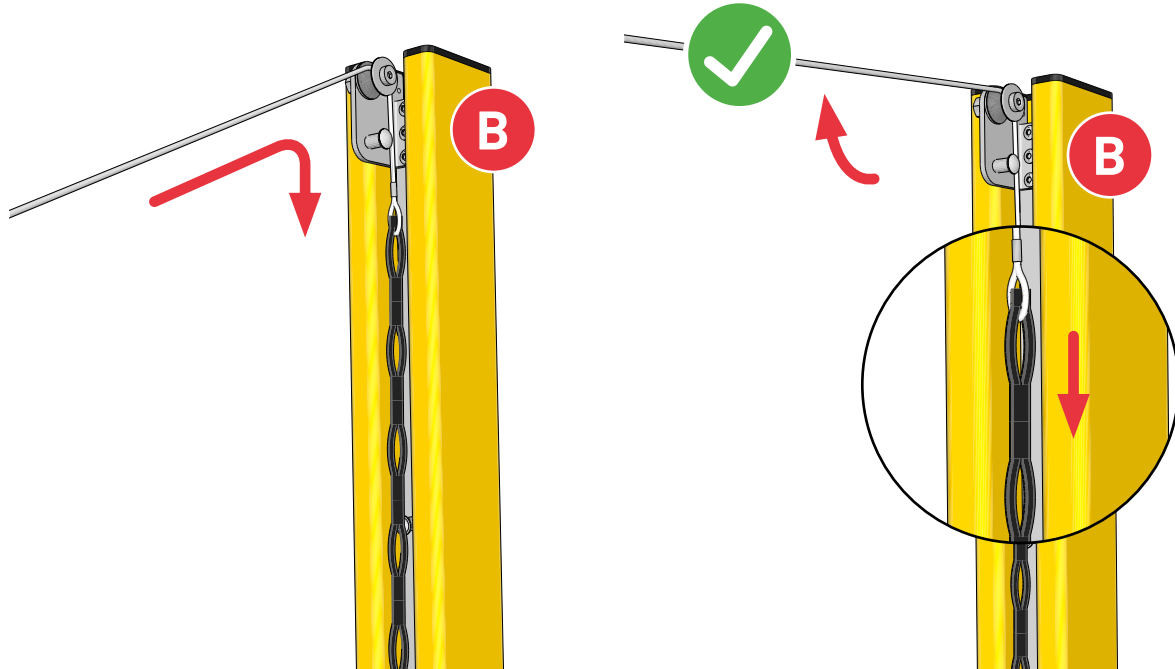


Connect head band net cable to carabiner of the pulley tensioning system

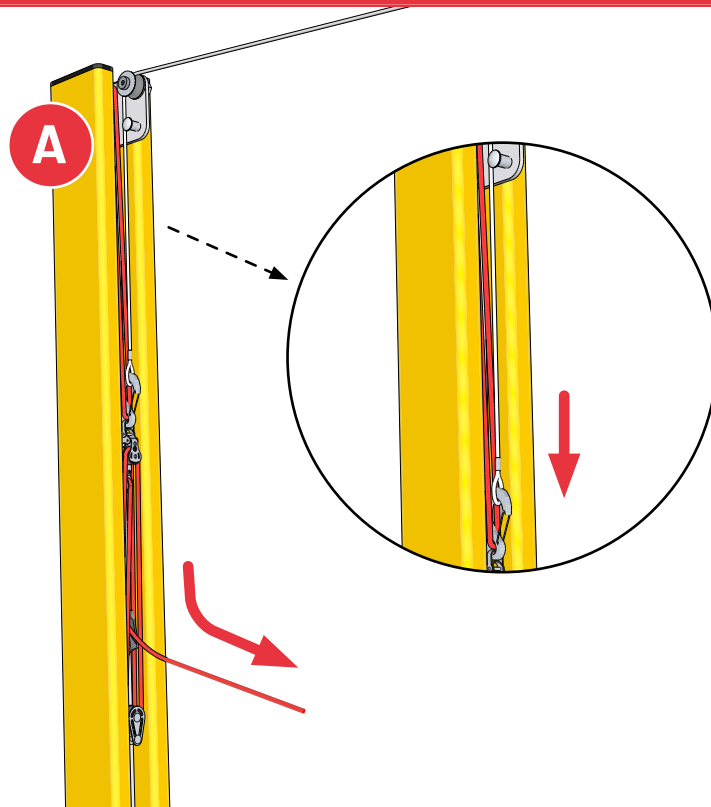


NET INSTALLATION

Install net cable to opposite side and apply some pre-tension by hand

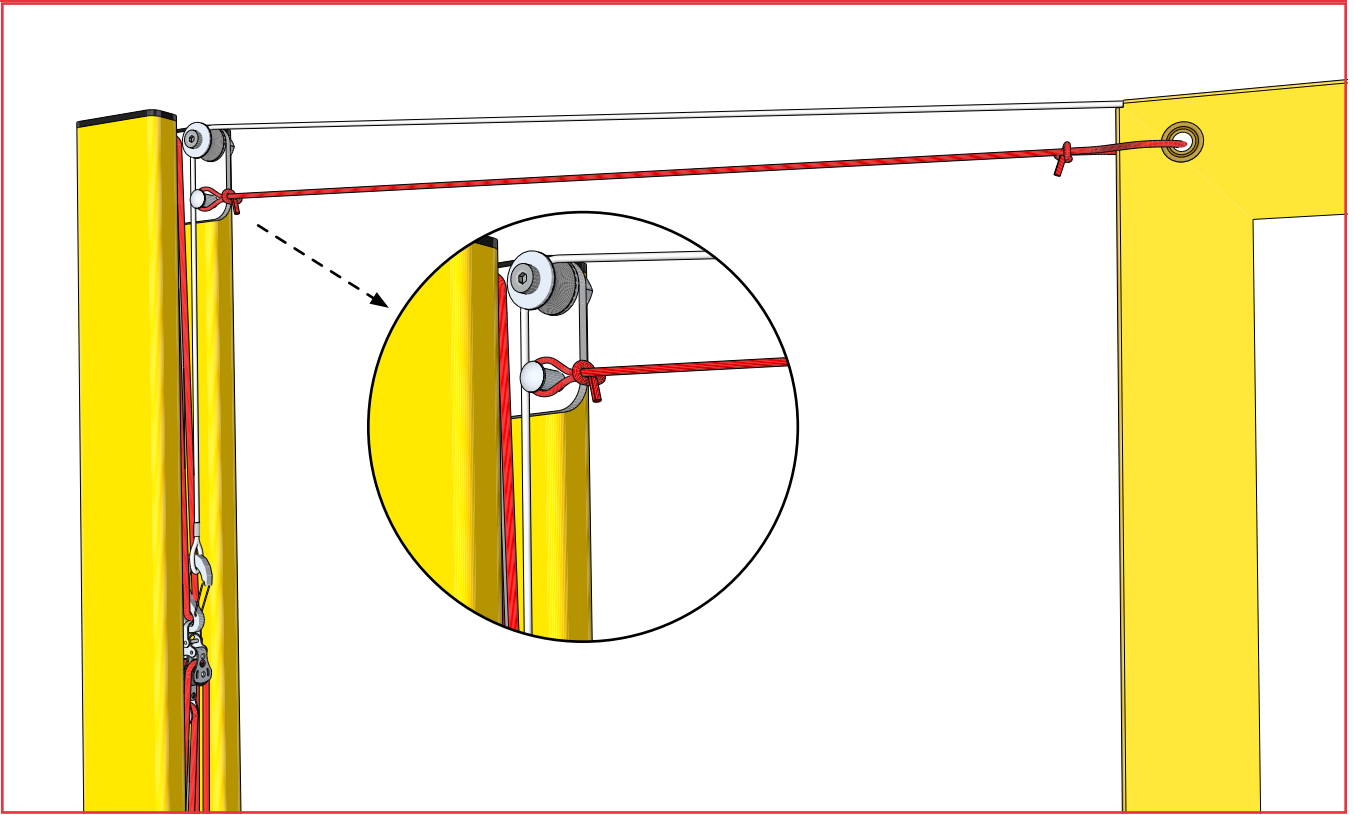


Pull the red pulley rope to achieve the required net tension

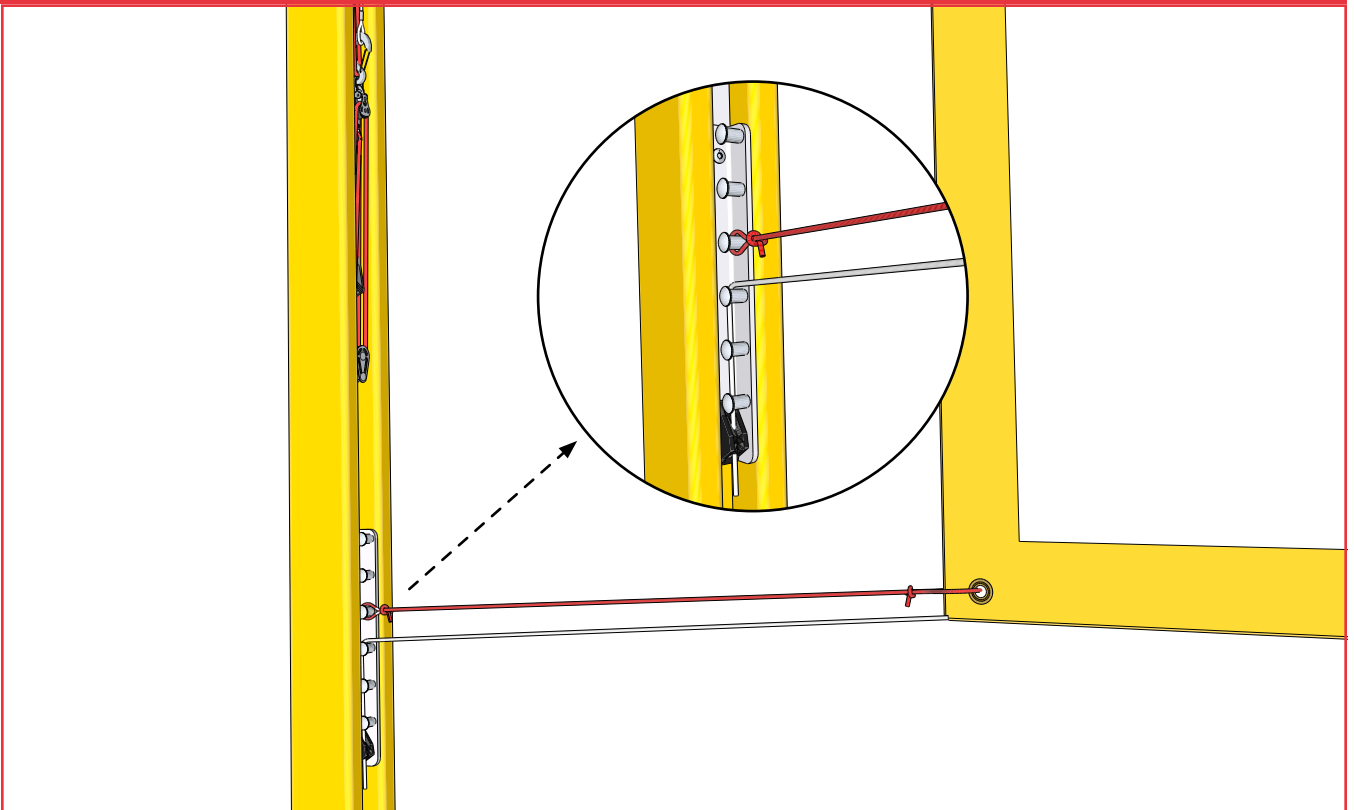


NET INSTALLATION

On both sides: use red ropes to centre the net between the posts



On both sides: tighten the bottom net cord and bring the net into a vertical position



BASESPORT^{.SE}

VI ÄR BEACHVOLLEY

Kundtjänst:

Telefon: 0346-800 30

E-post: order@basesport.se

FUNTEC