

**BILSTEIN**



**CATALOG EXTRACT**

**CAMPER SHOCK ABSORBERS**

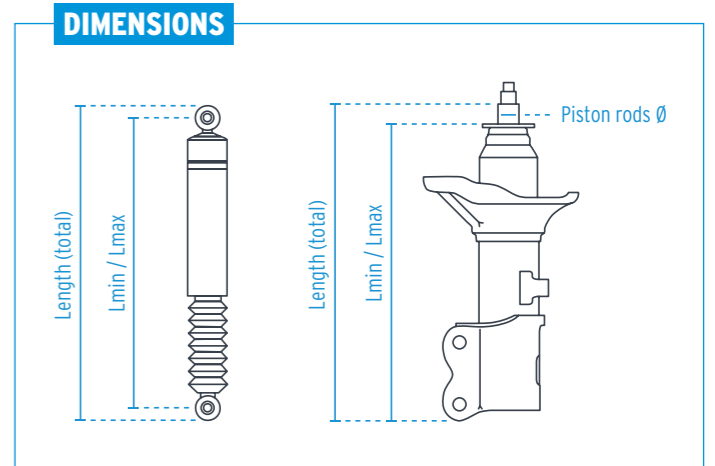


## OUR APPLICATIONS AT A GLANCE.

The current portfolio of BILSTEIN B1 - B6 Camper products offers applications for Citroën, Fiat and Peugeot models.

### SUPPORT FOR PART IDENTIFICATION.

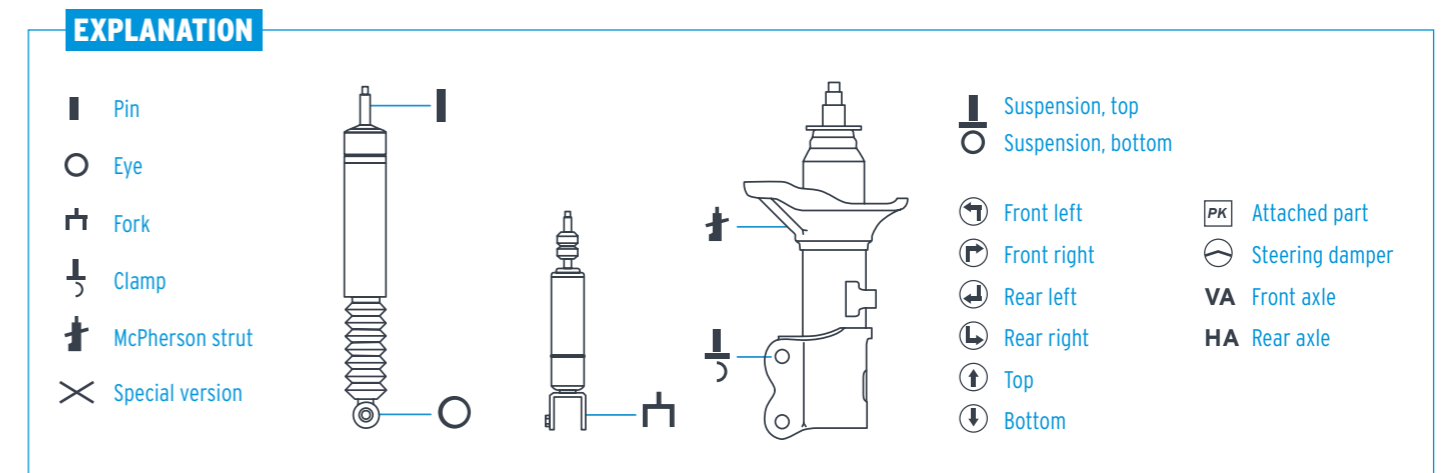
Below you will find all the relevant information for part identification as well as important detailed instructions for installation. Please refer to the following catalogue extract to find out which BILSTEIN product you need for the vehicle. This is the only way to ensure the optimum series replacement for your customers.



Vehicle type and model	Front axle	Rear axle	Notes/OE No.
<b>FIAT DUCATO Panel / Platform / Suspension (250_)</b>			
<b>B4</b>	115 Multijet 2,0 D, 120 Multijet 2,2 D, 140 Multijet 2,2 D, 160 Multijet 2,2 D, 180 Multijet 2,2 D, 100 Multijet 2,2 D, 110 Multijet 2,3 D, 120 Multijet 2,3 D, 130 Multijet 2,3 D,	22-183415 11-299370	19-183398
07/06 - 12/11	74-132 kW		Standard suspension; Model: Light 28 - 35 Front axle: Piston rods Ø 25 mm; Lmin: 501 mm; Lmax: 687 mm; for OE-No.: 50707078; for OE-No.: 50707000; for OE-No.: 50708386; with coil suspension
Product range	Year of manufacture	Motorisation	Order No. Type in preparation

## TABLE OF CONTENTS

Legend	3
Catalogue excerpt	4
Comparison list	10






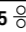
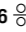
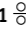


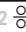


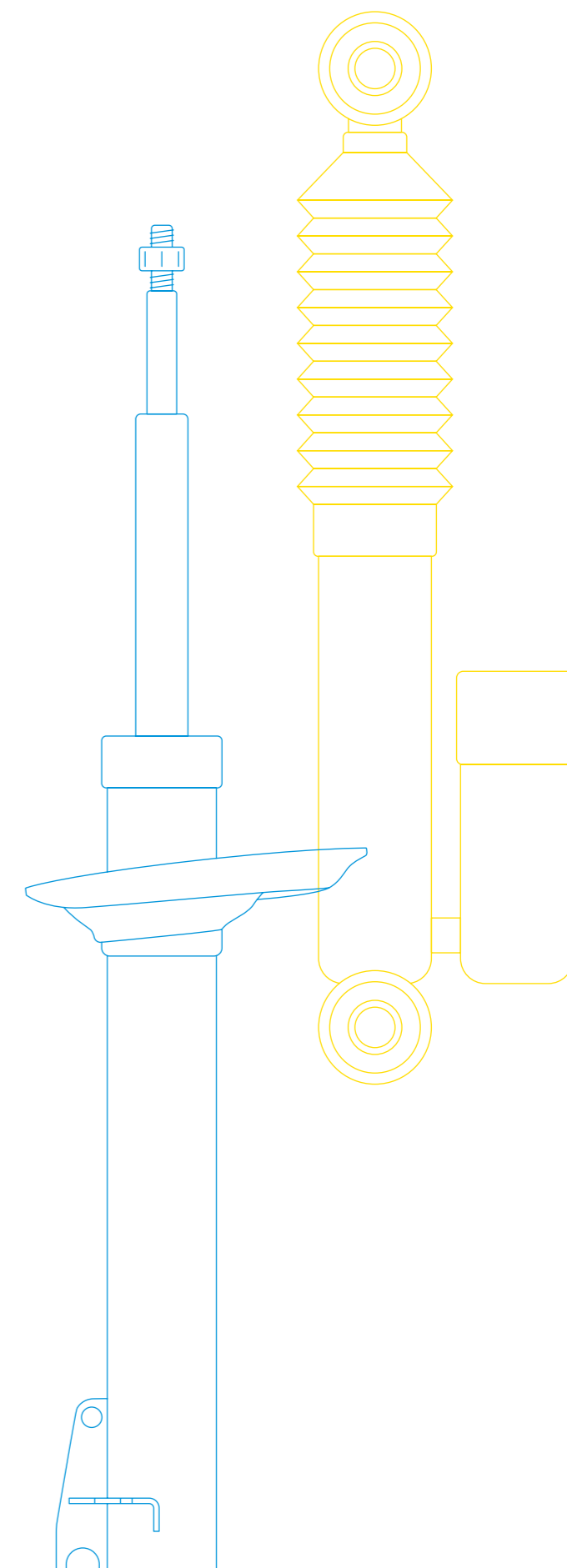






# CATALOG EXTRACT

				
<b>PEUGEOT</b>				
<b>PEUGEOT BOXER Van</b>				
B6	2.0 BlueHDi 110, 2.0 BlueHDi 130, 2.0 BlueHDi 160, 2.2 BlueHDi 120, 2.2 BlueHDi 140, 2.2 BlueHDi 165, 2.2 HDi 100, 2.2 HDi 110, 2.2 HDi 120, 2.2 HDi 130, 2.2 HDi 150, 3.0 HDi, 3.0 HDi 145, 3.0 HDi 160, 3.0 HDi 175 04/06 – 09/19 74 – 130 kW	11-299370 22-325488		Type: Light 28-35; with standard chassis; Type: Camper FA: Piston conrod diameter [mm] 25mm; for coil-spring suspension vehicles; Length 1 [mm]: 501 mm; Length 2 [mm]: 687 mm; for OE number: 50707078; for OE number: 50707000; for OE number: 50708386; Length [mm]: 776 mm
B6	2.0 BlueHDi 110, 2.0 BlueHDi 130, 2.0 BlueHDi 160, 2.2 BlueHDi 120, 2.2 BlueHDi 140, 2.2 BlueHDi 165, 2.2 HDi 100, 2.2 HDi 110, 2.2 HDi 120, 2.2 HDi 130, 2.2 HDi 150, 3.0 HDi, 3.0 HDi 145, 3.0 HDi 160, 3.0 HDi 175 04/06 – 09/19 74 – 130 kW	22-325525		Type: Heavy 35-40; with standard chassis; Type: Camper FA: Piston conrod diameter [mm] 28mm; Length 1 [mm]: 495 mm; Length 2 [mm]: 662 mm; for OE number: 50707867; for OE number: 50707946; for OE number: 50708439; for OE number: 507086609; for coil-spring suspension vehicles; Length [mm]: 751 mm
B6	2.0 BlueHDi 110, 2.0 BlueHDi 130, 2.0 BlueHDi 160, 2.2 BlueHDi 120, 2.2 BlueHDi 140, 2.2 BlueHDi 165, 2.2 HDi 100, 2.2 HDi 110, 2.2 HDi 120, 2.2 HDi 130, 2.2 HDi 150, 3.0 HDi, 3.0 HDi 145, 3.0 HDi 160, 3.0 HDi 175 04/06 – 09/19 74 – 130 kW		19-325545 	with standard chassis; Type: Camper RA: Length 1 [mm]: 293 mm; Length 2 [mm]: 439 mm; Length [mm]: 485 mm; for OE number: 1352281080; for OE number: 1355821080; for OE number: 1355827080; for OE number: 1355829080; for OE number: 1355930080; for OE number: 1356967080; for OE number: 1357401080; for OE number: 1357467080; for OE number: 1357469080; for OE number: 1362546080; for OE number: 1362547080; for OE number: 1362548080; for OE number: 1362549080; for OE number: 1362553080; for OE number: 1362554080; for OE number: 1362558080; for OE number: 1362560080; for OE number: 1362577080; for OE number: 1368970080; for leaf-spring suspension vehicles
B6	2.0 BlueHDi 110, 2.0 BlueHDi 130, 2.0 BlueHDi 160, 2.2 BlueHDi 120, 2.2 BlueHDi 140, 2.2 BlueHDi 165, 2.2 HDi 100, 2.2 HDi 110, 2.2 HDi 120, 2.2 HDi 130, 2.2 HDi 150, 3.0 HDi, 3.0 HDi 145, 3.0 HDi 160, 3.0 HDi 175 04/06 – 09/19 74 – 130 kW		19-326986 	with standard chassis; Type: Camper RA: Length 1 [mm]: 315 mm; Length 2 [mm]: 476 mm; Length [mm]: 522 mm; for OE number: 1355822080; for OE number: 1355823080; for OE number: 1355824080; for OE number: 1355826080; for OE number: 1355828080; for OE number: 1356866080; for OE number: 1356966080; for OE number: 1357402080; for OE number: 1357763080; for OE number: 1361278080; for OE number: 1362551080; for OE number: 1362557080; for OE number: 1362578080; for OE number: 1362579080; for OE number: 1369848080; for OE number: 1369851080; for leaf-spring suspension vehicles
B6	2.0 BlueHDi 110, 2.0 BlueHDi 130, 2.0 BlueHDi 160, 2.2 BlueHDi 120, 2.2 BlueHDi 140, 2.2 BlueHDi 165, 2.2 HDi 100, 2.2 HDi 110, 2.2 HDi 120, 2.2 HDi 130, 2.2 HDi 150, 3.0 HDi, 3.0 HDi 145, 3.0 HDi 160, 3.0 HDi 175 04/06 – 09/19 74 – 130 kW		19-325491 	with standard chassis; Type: Camper RA: Length 2 [mm]: 418 mm; Length 1 [mm]: 283 mm; Length [mm]: 463 mm; for OE number: 1355825080; for OE number: 1355831080; for OE number: 1357468080; for OE number: 1357470080; for OE number: 1359217080; for OE number: 1359219080; for OE number: 1362550080; for OE number: 1362552080; for OE number: 1362559080; for OE number: 1362561080; for OE number: 1362880080
B6 DMC	2.0 BlueHDi 110, 2.0 BlueHDi 130, 2.0 BlueHDi 160, 2.2 BlueHDi 120, 2.2 BlueHDi 140, 2.2 BlueHDi 165, 2.2 HDi 100, 2.2 HDi 110, 2.2 HDi 120, 2.2 HDi 130, 2.2 HDi 150, 3.0 HDi, 3.0 HDi 145, 3.0 HDi 160, 3.0 HDi 175 04/06 – 09/19 74 – 130 kW	11-299370 23-325500		with standard chassis; Type: Camper Advanced; Type: Light 28-35 FA: Piston conrod diameter [mm] 25mm; for coil-spring suspension vehicles; Length 1 [mm]: 501 mm; Length 2 [mm]: 687 mm; for OE number: 50707078; for OE number: 50707000; for OE number: 50708386; Length [mm]: 777 mm
B6 DMC	2.0 BlueHDi 110, 2.0 BlueHDi 130, 2.0 BlueHDi 160, 2.2 BlueHDi 120, 2.2 BlueHDi 140, 2.2 BlueHDi 165, 2.2 HDi 100, 2.2 HDi 110, 2.2 HDi 120, 2.2 HDi 130, 2.2 HDi 150, 3.0 HDi, 3.0 HDi 145, 3.0 HDi 160, 3.0 HDi 175 04/06 – 09/19 74 – 130 kW	23-325531		Type: Heavy 35-40; with standard chassis; Type: Camper Advanced FA: Piston conrod diameter [mm] 28mm; Length 1 [mm]: 495 mm; Length 2 [mm]: 662 mm; for OE number: 50707867; for OE number: 50707946; for OE number: 50708439; for OE number: 507086609; for coil-spring suspension vehicles; Length [mm]: 751 mm
B6 DMC	2.0 BlueHDi 110, 2.0 BlueHDi 130, 2.0 BlueHDi 160, 2.2 BlueHDi 120, 2.2 BlueHDi 140, 2.2 BlueHDi 165, 2.2 HDi 100, 2.2 HDi 110, 2.2 HDi 120, 2.2 HDi 130, 2.2 HDi 150, 3.0 HDi, 3.0 HDi 145, 3.0 HDi 160, 3.0 HDi 175 04/06 – 09/19 74 – 130 kW		26-325552 	with standard chassis; Type: Camper Advanced; only in connection with 23-325500; only in connection with 23-325531 RA: Length 1 [mm]: 293 mm; Length 2 [mm]: 439 mm; Length [mm]: 485 mm; for OE number: 1352281080; for OE number: 1355821080; for OE number: 1355827080; for OE number: 1355829080; for OE number: 1355830080; for OE number: 1356967080; for OE number: 1357401080; for OE number: 1357467080; for OE number: 1357469080; for OE number: 1362546080; for OE number: 1362547080; for OE number: 1362548080; for OE number: 1362549080; for OE number: 1362553080; for OE number: 1362554080; for OE number: 1362558080; for OE number: 1362560080; for OE number: 1362577080; for OE number: 1368970080; for leaf-spring suspension vehicles



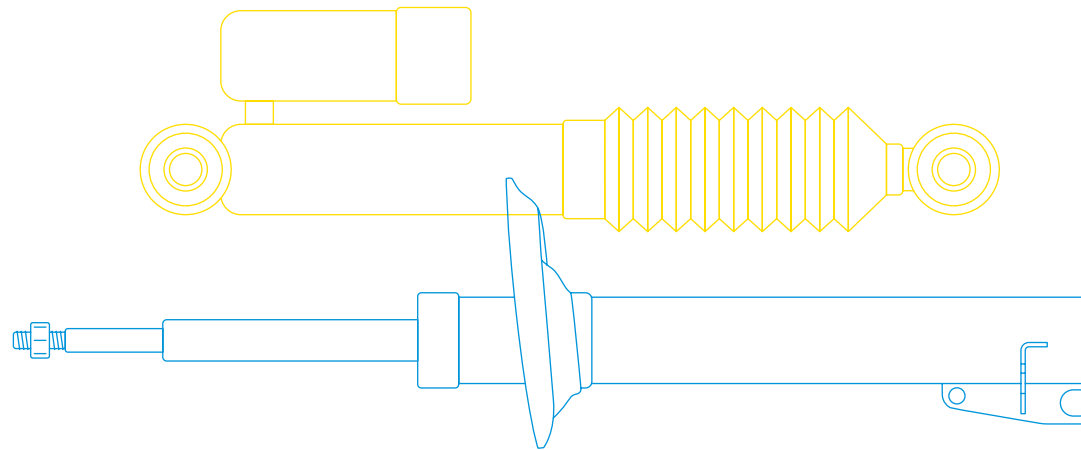






Here you will find details of the  
BILSTEIN Camper programme and  
documents to download.

[camper.bilstein.com](https://camper.bilstein.com)



# BILSTEIN

**thyssenkrupp Bilstein GmbH**

August-Bilstein-Straße 4, 58256 Ennepetal, Germany

Postfach 11 51, 58240 Ennepetal, Germany

+49 2333 791-0

+49 2333 791-4400

[info@bilstein.de](mailto:info@bilstein.de)

[bilstein.com](https://bilstein.com)