

Timing tools kit

Timing tools kit.
Adaptable to FORD and
MAZDA diesel engines



- ▶ **FORD:** C-Max, Courier, Escort, Fiesta, Fiesta Econetic, Focus, Focus C-Max, Fusion, Galaxy, Mondeo, Orion, Tourneo Connect, Transit, Transit Connect
- ▶ **Engine:** 1.4D TDCi, 1.6D TDCi, 1.8D, 1.8D TCI, 1.8D TDdi, 1.8D TDCi, 1.8D TDCi, 1.8D Turbo, 1.8D Turbo, 1.9D TDI PD, 1.9D TDI PD, 2.0D TDCi, 2.2 TDCi, 2.5D 2.5D Turbo
- ▶ **Engine code:** F6JA, F6JB, F6JC, F6JD, TZJA, TZJB, G8DA, G8DB, HHDA, HHDB, HHJA, HHJC, HHJD, HHJE, HHJF, RTA, RTB, RTC, RTD, RTG, RTE, RTF, RTH, RTJ, RTK, RFN, BHPA, HCPA, HCPB, KKDA, P7PA, P9PA, P9PB, R2PA, R3PA, RWPA, RWPC, F9DA/B, FFBA, FFVA, KHBA, QYBA, QYVA, KKDB, C9DC,

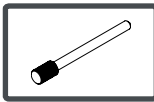
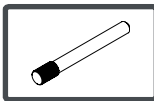
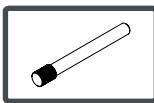
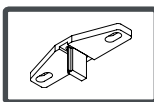
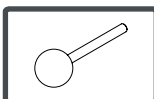
RVA, 1Z, AFN, AHU, ANU, AUY, G6DA, G6DB, G6DC, G6DD, G6DE, G6DF, G6DG, UFDB, TXDB, TYDA, UKDB, QXBA, AZBA, KLBA, QXBB, LPBA, AZBC, TYBA, UKBA, UFBA, TXBA, IXDA, QXWA, QXWB, AZWA, KIWA, AZWC, TYWA, UKWA, TXWA, UFWA, UFDA, TXDA, UKDA, Q4BA, KNBA, 4BA, 4BB, 4BC 4CC, 4FA, 4CA, 4CB, 4DA, 4EA, 4FA, 4FB, 4FC, 4FD, 4GA, 4HB, 4HC, 4EB, 4EC, 4ED 4GA, 4GB, 4GC, 4GD, 4GE, 4GF, 4HA, 4HD,

- ▶ **MAZDA:** 2, 3, 5
- ▶ **Engine:** 1,4D TDCi, 1,6D 8V, 1,6D 16V
- ▶ **Engine code:** F6JA, F6JB, MZCD 1.6, Y6

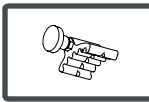
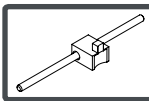
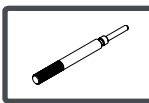
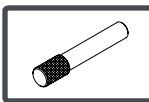
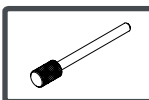
Complete Kit

310 169 000

Components

Register pin Ø 6	310169003	OEM 23-019	
Register pin Ø 8.25	310169002	OEM 21-123	
Register pin Ø 9.45	310169001	OEM 23-029	
Plate to lock the flywheel (8 mm) +	832007000		
Washer 8x24 +	821017000	OEM 21-168	
TE 8x20 Screw +	313143002	303-393	
Tooth for flywheel locking tool Ford	313143001	303-1272	
Rod M6x70 pulleys docking tool VW TDI 150CV	313053000	OEM 3359 T20102	

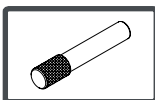
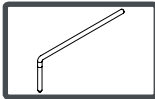
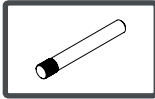
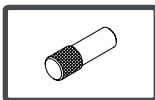
Components

Crankshaft pulley locking tool VW 1.2-1.4-1.9	313144000	OEM 23-059 310-085 T10050	
Peugeot tensioner	310115009	OEM 0188-J2	
Threaded pin Ø 12x150 for Ford Zetec	313043000		
Threaded pin Ø 11.5x75 for Peugeot timing	310115013	OEM 21-262 303-734 49JE02020	
Threaded pin Ø 4.9x70 for Peugeot timing	310115012	OEM 21-260 303-732 49JE02018	

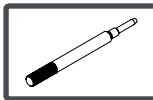
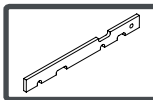
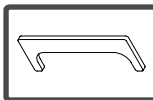
continued »

Timing tools kit

Components

Pin Ø 7.9x70 for camshaft	313133000	OEM 303-735 21-263 303-1277 49JE02021	
Pin Ø 7.7x275 mm for Peugeot HDI timing	313145000	OEM 303-1059 303-1270	
Register pin Ø 12.85	310169004	OEM 23-020	
Timing pin for VW-Audi 1.9 TDI Ø 18	313003000	OEM 23-047 15-046 2064 5193	

Components

Ford TDCI Ø 14x180 M10 pin	313062000	OEM 21-104 303-193	
Locking and aligning plate - Ford gasoline engines	313190000	OEM 21-162B 303-376 303-367 303-376B	
"C" shape locking bracket for VW-Audi-Seat 4,5 mm	313012000	OEM 21-105 2065A 5190	
Belt tensioner	313069000	OEM 23-058 T10008	