

Timing kit:

Timing kit adaptable to PSA engines



PSA engines

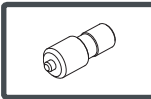
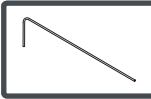
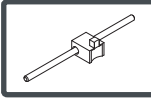
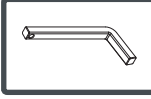
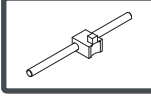

practical case

- i** ▶ Kit for timing PSA engines.
- PS** ▶ **PEUGEOT:** 107, 206, 207, 306, 307, 308, 406, 406 Coupe, 407 607, 807, Expert, Partner, Boxer, Ranch
- ▶ **CITROËN:** Xsara, Xsara Picasso, C2, C3, C4, C5, C8, Xantia, Evasion, Evasion Synergie, Berlingo, Dispatch, Dispatch Jumpy, Relay, Relay Jumper
- ▶ **FIAT:** Ulysse, Scudo, Ducato (reference JTD)
- ▶ **VOLVO:** S40 / V50
- ▶ **FORD:** Focus, Focus C-Max, Fiesta, Fusion,
- ▶ **Engine models:** 1.4, 1.6, 2.0, 2.0 D, 2.0 TDCI, 2.2 Hdi, 1.4 Hdi, 1.6 Hdi, 1.6 Duratorq TDCi, 1.6 D
- ▶ **Engine code:** DV4TD(8HV/8HX/8HZ), DV4TED4(8HV/8HY), DV6TED4(9HX/9HY/9HZ), DW10TD(RHY), DW10ATED/L3/L4, (RHS/RHW/RHZ), DW10BTED4/LB(RHR/RHX), DW10UTD(RHN), DW12ATED(4HW/4HX), DW12UTED(4HY), D4204T/2, G6D4, G6DB, G6DC

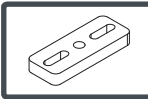


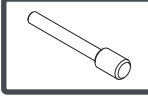
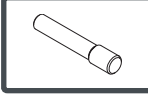
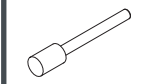
Complete kit

310 185 000

Components

Handwheel blocking tool Ø 1.5	310185006	
New Peugeot pinion pos. tool	310115006	
New Peugeot tightener adjustment wrench	310115009	
Distribution belt tightener adjustment wrench	310185001	
Peugeot DW10 - Toyota belt tightener wrench	313037000	
New Peugeot tightener locking cotter pin	310115008	

Components

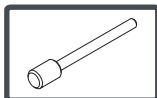
Peugeot HDI engine shaft pulley extractor	313139000	
Spring Ø 15 Wire Ø 1 L=110 mm	310168027	
Spring thk. 1.5x15 Ø 67 phase Peugeot gasoline	313137000	
Pin 5.9x60 for Peugeot HDI injection pump	313141000	
New Peugeot phasing pin Ø11.5X75	310115013	
Peugeot diesel phasing pin Ø 4.9X60	310185002	

Timing kit:

Components

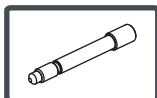
New Peugeot phasing pin Ø 4.9X70

310115012



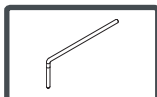
Peugeot phasing pin Ø 7.9X60 M8

310185003



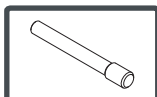
Pin Ø 7.7 l=275 mm. Peugeot HDi phase

313145000



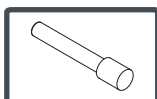
Peugeot HDi cam locking pin Ø 7.9X75

313142000



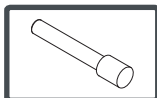
Peugeot diesel phasing pin Ø 8X65

310185004



Peugeot diesel phasing pin Ø 9.4X65

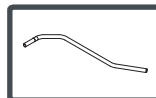
310185005



Components

Peugeot-Fiat bent phasing pin Ø 7

313103000



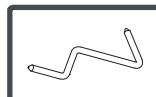
Peugeot-Fiat bent phasing pin Ø 7.9

313105000



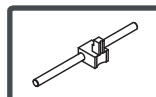
Peugeot-Fiat bent phasing pin Ø 8

313104000



Peugeot-Citroën HDi DW12 belt tightener

313140000



TE 10x45 screw

821015000

