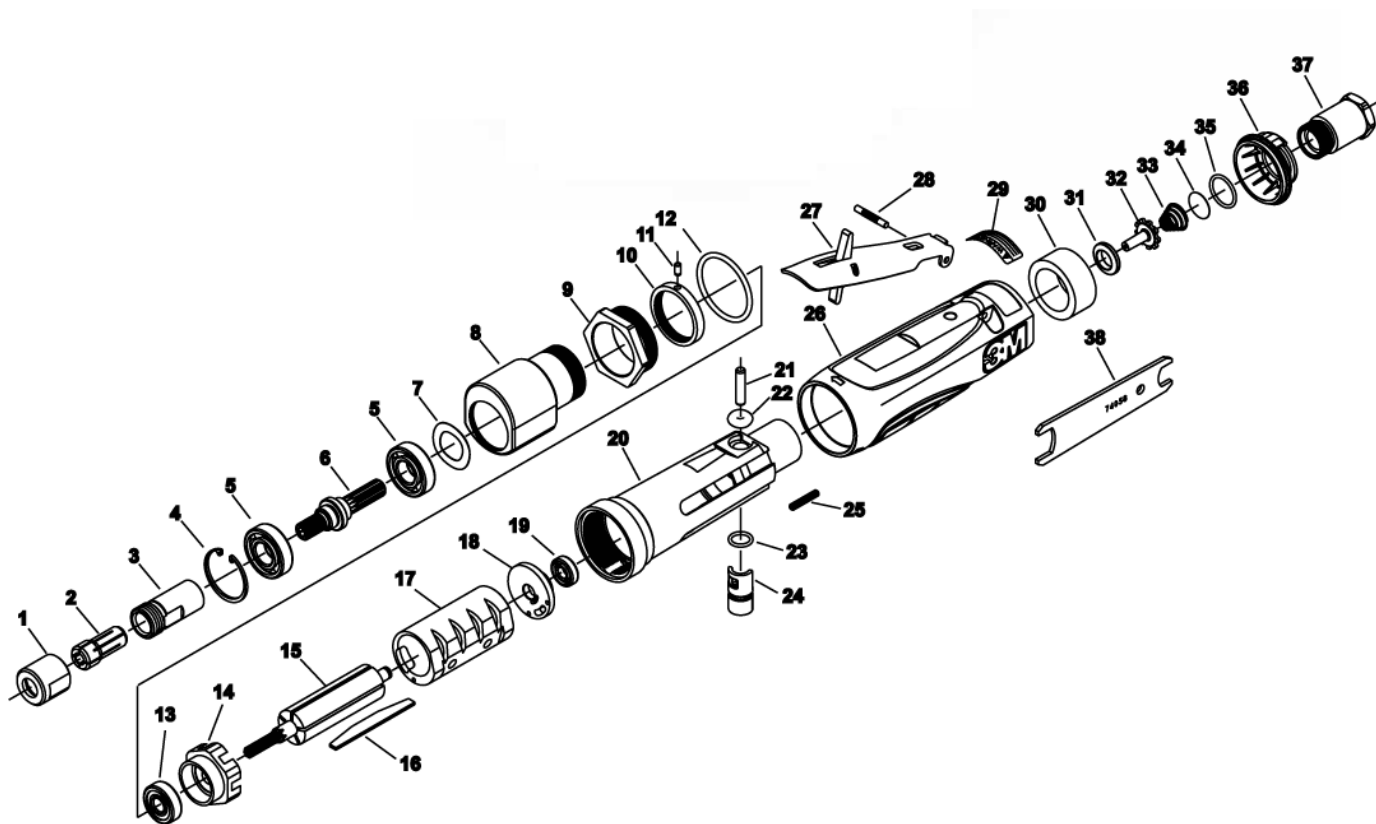


# 25128, 25129, 20239, 20240



Pos.	Part No.	Description
1	3M06572	Collet Nut
2	3M06545	Collet (3/8")
	3M06546	Collet (8mm)
	3M06573	Collet (1/8")
	3M06574	Collet (3/16")
	3M06575	Collet (1/4")
	3M06576	Collet (3mm)
	3M06577	Collet (6mm)

3	3M06571	Collet Body
4	3M06518	Retaining Ring
5	3M06507	Ball Bearing
6	3M06587	Grinder Output Shaft 12.000 RPM
	3M06592	Grinder Output Shaft 8.000 RPM
7	3M06521	Wave Washer
8	3M06588	12,000 RPM Grinder Gear Box
	3M06593	8,000 RPM Grinder Gear Box
9	3M06653	Angle Head Clamp Nut
10	3M06655	Lock Ring
11	3M06520	Pin, 1/8"x1/4"
12	3M06609	O-Ring
13	3M06506	Ball Bearing
14	3M06603	Front End Plate
15	3M06640	Rotor
16	3M06643	Vane(1 Satz = 5 Stk.)
17	3M06602	Cylinder (12.000 U/min)
	3M06600	Cylinder (8.000 U/min)
18	3M06560	Rear End Plate
19	3M06508	Ball Bearing
20	3M06638	Housing
21	3M06558	Torr Pin,3/16"x7/8"
22	3M06543	O-Ring
23	3M06511	O-Ring
24	3M06556	Regulator
25	3M06501	Screw, 6-32x3/4
26	3M06598	Housing Cover
27	3M06642	Lever

---

---

28	3M06559	Groove Pin, 1/8"x7/8" Type E
29	3M06566	Warning Label
30	3M06557	Muffler
31	3M06552	Throttle Valve Seat
32	3M06553	Throttle Valve
33	3M06554	Taper Spring
34	3M06555	Screen
35	3M06608	O-Ring, 1/16"x5/8"x3/4"
36	3M06604	Rotatable Exhaust Deflector
37	3M06605	Inlet Bushing
38	3M06569	9/16 in x 3/4 in Wrench (2)