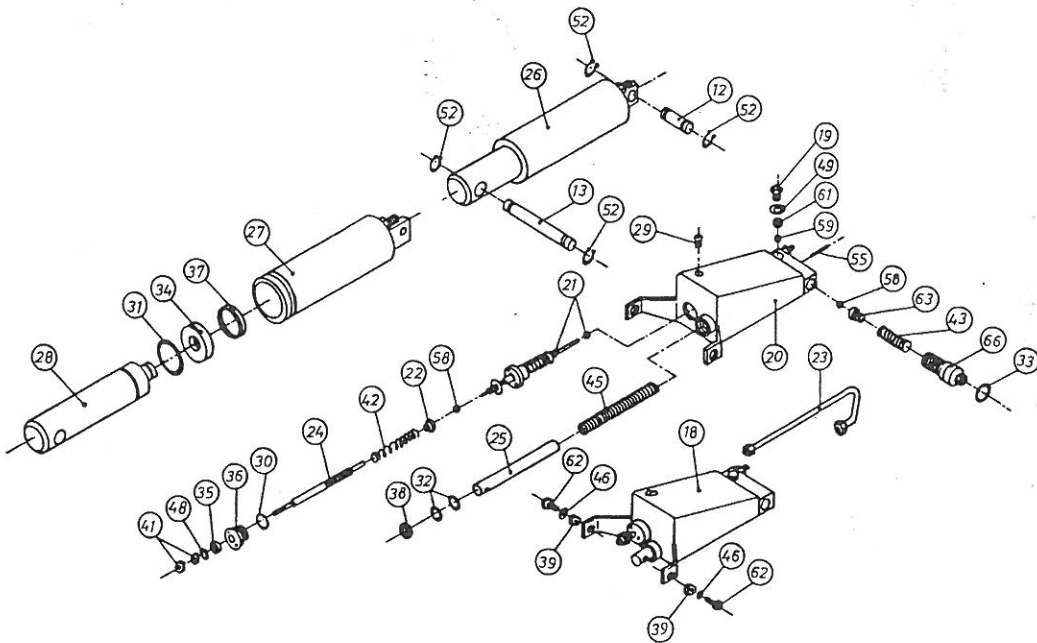
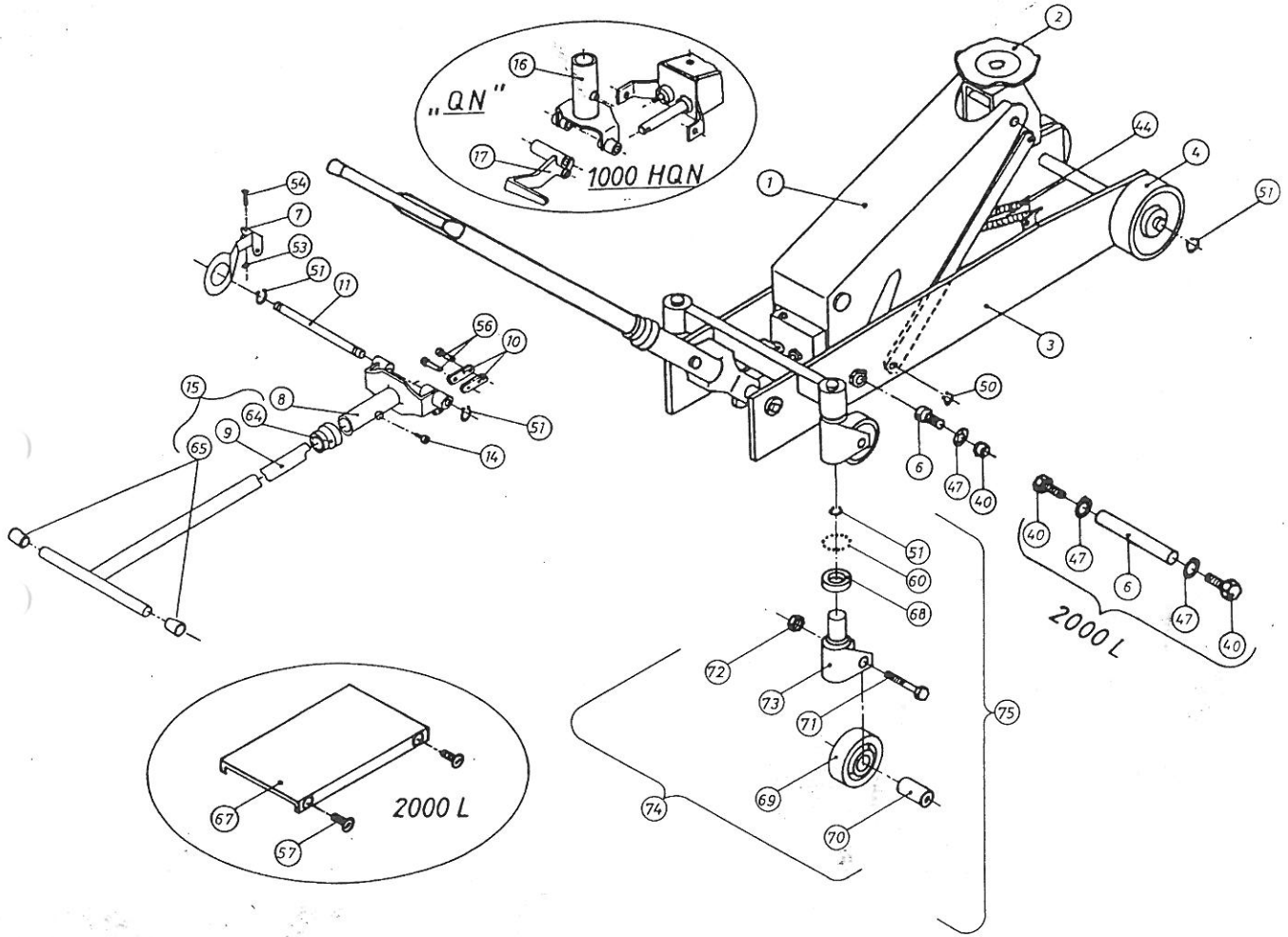


- (GB)** SERVICE INSTRUCTIONS FOR HYDRAULIC GARAGE JACKS
- (D)** BEDIENUNGS- UND WARTUNGSANLEITUNG FÜR  
HYDRAULISCHE RANGIERHEBER
- (F)** INSTRUCTIONS DE MISE EN SERVICE DES CRICS ROULEURS
- (E)** INSTRUCCIONES DE SERVICIO PARA GATOS HIDRAULICOS
- (DK)** SERVICEVEJLEDNING FOR VÆRKSTEDSDONKRAFTE

---

**MODEL 1500 / 2000 / 2000L / 1000 HQN**

**MODELL  
MODELE  
MODELO  
MODEL**



Pos.	Model 1000HQN Order No.	Pcs.	Model 1500 Order No.	Pcs.	Model 2000 Order No.	Pcs.	Model 2000L Order No.	Pcs.	Description
1	32 100 00	1	32 000 00	1	32 200 00	1	32 300 00	1	Jack, complete
2	32 122 00	1	32 022 00	1	32 022 00	1	32 022 00	1	Lifting arm, complete
3	32 002 00	1	32 002 00	1	32 002 00	1	32 002 00	1	Saddle
4	32 106 00	1	32 006 00	1	32 206 00	1	32 306 00	1	Base frame
5	02 488	2	02 488	2	02 488	2	02 488	2	Wheel, ø100 mm
6	32 009 00	2	32 009 00	2	32 009 00	2	32 309 00	1	Bolt for lifting arm
7	32 010 00	1	32 010 00	1	32 010 00	1	32 010 00	1	Release bracket
8			32 011 00	1	32 011 00	1	32 011 00	1	Tipping gear
9	34 010 00	1	32 012 00	1	32 012 00	1	34 010 00	1	Pump handle
10	32 013 00	2	32 013 00	2	32 013 00	2	32 013 00	2	Hinged joint
11	32 014 00	1	32 014 00	1	32 014 00	1	32 014 00	1	Axle for tipping gear
12	32 016 00	1	32 016 00	1	32 016 00	1	32 016 00	1	Axle for cylinder
13	32 017 00	1	32 017 00	1	32 017 00	1	32 017 00	1	Axle for piston rod
14	32 018 00	1	32 018 00	1	32 018 00	1	32 018 00	1	Locking screw
15	34 012 00	1	32 020 00	1	32 020 00	1	34 012 00	1	Handle, complete
16	34 021 00	1							QN tipping gear
17	34 022 00	1							QN pedal
18	90 200 00	1	90 200 00	1	90 200 00	1	90 200 00	1	Pump, complete
19	90 201 00	1	90 201 00	1	90 201 00	1	90 201 00	1	Valve plug
20	90 202 00	1	90 202 00	1	90 202 00	1	90 202 00	1	Pump housing
21	90 203 00	1	90 203 00	1	90 203 00	1	90 203 00	1	Release valve, complete
22	90 204 00	1	90 204 00	1	90 204 00	1	90 204 00	1	Spring screw
23	90 213 00	1	90 209 00	1	90 209 00	1	90 212 00	1	Tube
24	90 210 00	1	90 210 00	1	90 210 00	1	90 210 00	1	Release shaft
25	90 211 00	1	90 211 00	1	90 211 00	1	90 211 00	1	Pump rod
26	90 225 00	1	90 225 00	1	90 225 00	1	90 225 00	1	Cylinder, complete
27	90 226 00	1	90 226 00	1	90 226 00	1	90 226 00	1	Cylinder
28	90 227 00	1	90 227 00	1	90 227 00	1	90 227 00	1	Piston rod
29	02 023	1	02 023	1	02 023	1	02 023	1	Filling plug
30*	01 004	1	01 004	1	01 004	1	01 004	1	O-ring
31*	01 019	1	01 019	1	01 019	1	01 019	1	O-ring
32*	01 032	2	01 032	2	01 032	2	01 032	2	O-ring
33*	01 040	1	01 040	1	01 040	1	01 040	1	O-ring
34*	01 105	1	01 105	1	01 105	1	01 105	1	Oil seal
35*	01 151	1	01 151	1	01 151	1	01 151	1	Oil seal
36*	01 225	1	01 225	1	01 225	1	01 225	1	Nylon gland
37*	01 257	1	01 257	1	01 257	1	01 257	1	Scraper ring
38*	01 267	1	01 267	1	01 267	1	01 267	1	Scraper ring
39	02 002	2	02 002	2	02 002	2	02 002	2	Nut
40	02 008	2	02 008	2	02 008	2	02 339	2	Nut
41	02 014	2	02 014	2	02 014	2	02 014	2	Nut
42	02 037	1	02 037	1	02 037	1	02 037	1	Release spring
43	02 038	1	02 038	1	02 038	1	02 038	1	Safety valve spring
44	02 042	2	02 042	2	02 042	2	02 042	2	Return spring
45	02 051	1	02 051	1	02 051	1	02 051	1	Pump spring
46	02 103	2	02 103	2	02 103	2	02 103	2	Spring washer
47	02 106	2	02 106	2	02 106	2	01 106	2	Spring washer
48	02 115	1	02 115	1	02 115	1	02 115	1	Washer plate
49*	02 126	1	02 126	1	02 126	1	02 126	1	Copper washer
50	02 203	2	02 203	2	02 203	2	02 203	2	Circlip
51	02 204	6	02 204	6	02 204	6	02 204	6	Circlip
52	02 205	4	02 205	4	02 205	4	02 205	4	Circlip
53	02 223	1	02 223	1	02 223	1	02 223	1	Locking washer
54	02 229	1	02 229	1	02 229	1	02 229	1	Rivet
55	02 234	1	02 234	1	02 234	1	02 234	1	Pin
56	02 248	2	02 248	2	02 248	2	02 248	2	Rivet
57							02 281	4	Screw
58*	02 290	2	02 290	2	02 290	2	02 290	2	Ball, ø4.5 mm
59*	02 292	1	02 292	1	02 292	1	02 292	1	Ball, ø6.5 mm
60	02 293	20	02 293	20	02 293	20	02 293	20	Ball, ø7.5 mm
61*	02 295	1	02 295	1	02 295	1	02 295	1	Ball, ø11 mm
62	02 334	2	02 334	2	02 334	2	02 334	2	Bolt
63	02 340	1	02 340	1	02 340	1	02 340	1	Ball pad
64	02 371	1	02 371	1	02 371	1	02 371	1	Dustcap
65	02 374	2	02 374	2	02 374	2	02 374	2	Plastic plug
66	02 384	1	02 384	1	02 384	1	02 384	1	Adjusting screw
67							02 480	1	Top plate cover
68	01 130	2	01 130	2	01 130	2	01 130	2	Seal
69	02 489	2	02 489	2	02 489	2	02 489	2	Synthetic wheel, ø64
70	32 023 00	2	32 023 00	2	32 023 00	2	32 023 00	2	Axle for pivotable wheel
71	02 496	2	02 496	2	02 496	2	02 496	2	Bolt for pivotable wheel axle
72	02 001	2	02 001	2	02 001	2	02 001	2	Nut for pivotable wheel axle
73	32 024 00	2	32 024 00	2	32 024 00	2	32 024 00	2	Wheel suspension
74	32 025 00	2	32 025 00	2	32 025 00	2	32 025 00	2	Pivotable wheel
75	32 026 00	2	32 026 00	2	32 026 00	2	32 026 00	2	Pivotable wheel, complete
****	09 029 00		09 029 00		09 029 00		09 029 00		(Parts 69-70-71-72-73) Pivotable wheel, complete (Parts 51-60-68-74) Repair kit

\* indicates parts included in repair kit.  
Please always state model of jack and part No. when ordering spare parts.

Do always apply original spare parts.