



The **IK FOAM Pro 12 professional sprayer** has been manufactured for the generation of dry, dense and durable foam. Designed to be used with chemical agents with surfactant properties for applications in professional cleaning, sanitation and disinfection, HVAC system cleaning, vehicle washing and detailing, as well as for the disinfection of food processing areas and industrial kitchens.

With the use of the foam we manage to increase the time of contact between the chemical and the surface to clean, cleaning of fabrics and upholstery avoiding the excessive soaking that generates the appearance of fungi and bacteria, and finally to have a greater visual control of the pulverized surface.

The sprayer is equipped with three mixers (orange, grey and green) which allow to vary the type of foam by choosing between wet, intermediate or dry foam.

To facilitate the pressurization of the device, **the sprayer is equipped with a connector for compressed air.**



TYPE OF FOAM

3 TYPES OF FOAM



DRY
FOAM



INTERMEDIATE
FOAM



WET
FOAM

Technical information

Technical information	FOAM Pro 12
VALVE	4-bar / 58 psi setting with automatic pressure release option
HOSE	1.3m / 51 inches
STANDARD NOZZLES	Special nozzle with fan-type foam
LANCE	47cm / 18.5 inches fibreglass
USEFUL CAPACITY	6l. – 1.58 U.S. Gals.
TOTAL CAPACITY	10l. – 2.64 U.S Gals.
GROSS WEIGHT	2.99 Kg – 6.59 lbs.
NET WEIGHT	2.57 Kg – 5.66 lbs.

Logistics data

Logistics data	FOAM Pro 12
CODE	8.26.76
EAN	84.14685.10212.6
CONDITIONING	1 unit
UNITS PER PALLET	28 units
DIMENSIONS PER PALLET	1200 x 800 x 1050



Sectors in which to use

- Cleaning and disinfection
- Automotive and detailing

Products with which to use

óptimo Foaming agents

Functional information



Stainless steel handle



Pressure release valve



Security lock



Possibility of making 3 types of foam



Compressed air socket



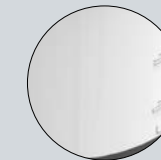
System for inflator clamping during filling



Lance parking



Content indicator



Translucent tank with level indicator



Stable base with footrest



ACCESSORIES



Personalize your sprayer adapting it to your application needs (height, hard-to-reach areas...)



FLEX PIPE 0.5 M
Reference 8.38.77.813

A flexible pipe of 0.5 m for applications in places that are hard to reach. Do not use it with acid or corrosive products.



FLEX PIPE 0.25 M
Reference 8.38.77.810

A flexible pipe of 0.25 m for applications in places that are hard to reach. Do not use it with acid or corrosive products.



**3.2 M / 10,5 FEET
TELESCOPIC LANCE**
Reference 8.35.40.913
**5.4 M / 17,7 FEET
TELESCOPIC LANCE**
Reference 8.35.40.915

A fibreglass lances of 3.2 m and 5.4 m for high spraying. Adaptable to sprayers and compression sprayers (5l to 20l.). Do not use with acids or solvents.



EXTENSION 0.5 M
Reference 8.34.60.943

A fibreglass extension of 0.5 m for horizontal and vertical applications in places that are hard to reach. Light, manageable and easy to assemble.



6-METER HOSE
Reference 8.26.71.836

The 6 metre reinforced 12 mm (diameter) hose is the perfect and easy to assemble complement for your IK sprayers. Thanks to it, you will be able to reach the most distant places with greater ease of movement, avoiding pinching. It is made of a material that is resistant to both acids and foaming agents, as well as to most chemicals in the professional cleaning sector.



IDENTIFICATION CARDS OF IK PRO CONTENT
Reference 8.26.71.875

Colour cards to identify deposit content between devices of the same line. Reversible, providing two colours on a single card, with the option to write on it; reusable and easy to use. There are two type of cards available: Red/Green and Yellow/Blue.



1.5M REINFORCED PVC HOSE
Reference 8.26.71.870

12mm diameter hose. It is easy to manoeuvre and chemically resistant.



IK HANDLE (INOX)
Reference 8.26.71.872

Versatile handle adaptable to your application needs.



FIBREGLASS TUBE WITH NUTS 47CM
Reference 8.26.71.873

Robust and versatile tube lance of 47cm.

MAINTENANCE KITS



Keep your sprayer always ready and get maximum performance



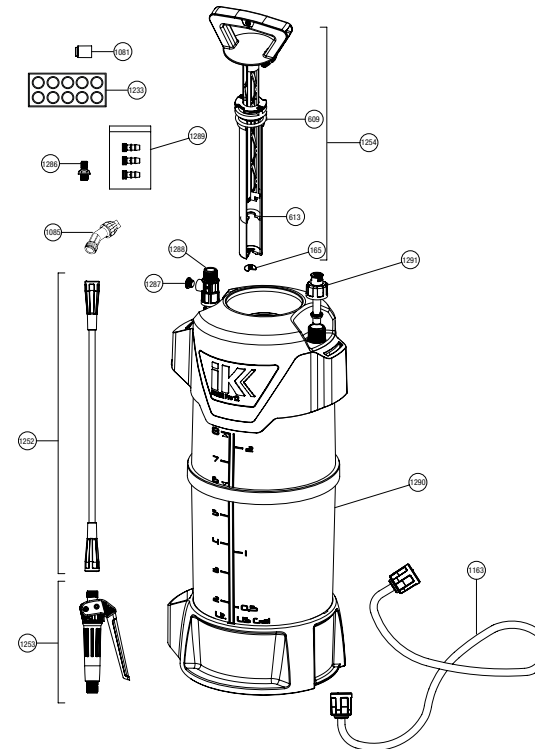
IK FOAM 9 / PRO 12 KIT - Reference 8.26.76.800

FELT DISC N. 1233	8.17.76.313	
COMPLETE FOAM ADAPTER N. 1085	8.38.11.611	

SPARE PARTS



Extend the service life of your sprayer easily replacing parts



N.	COD.	Q	SPARE PARTS NAME
165	8.38.05.314.1	1	VALVE
609	2.23.16.930	1	ROUND JOINT AN-30
613	8.38.11.314	1	COLLAR SEAL
1081	8.17.76.601	1	COMPLETE FELT HOLDER
1085	8.38.11.611	1	FAN NOZZLE
1163	8.38.11.835	1	HOSE
1233	8.17.76.313	1	FILTER (10 UNITS)
1252	8.26.71.828	1	TUBE WITH IK PRO NUTS
1253	8.26.71.821	1	IK PRO HANDLE
1254	8.26.71.802	1	IK PRO COMPLETE CHAMBER
1286	8.26.71.804	1	IK PRO AIR CONNECTOR WITH JOINT
1287	8.26.76.303	1	1/8 CAP WITH JOINT
1288	8.26.71.312	1	IK PRO AIR CONNECTOR COUPLING
1289	8.26.76.901	1	BAG MIXERS FOAM PRO 12
1290	8.26.76.601	1	IK FOAM PRO 12 TANK
1291	8.26.76.806	1	IK FOAM PRO 12 SAFETY VALVE
	8.26.76.200	1	INSTRUCTIONS SHEET
	8.26.76.201	1	IK FOAM PRO 12 PACKAGING