



The **IK FOAM Pro 2 professional sprayer** has been manufactured for the generation of dry, dense and durable foam. Designed to be used with chemical agents with surfactant properties for applications in professional cleaning, sanitation and disinfection, HVAC system cleaning, vehicle washing and detailing, as well as for the disinfection of food processing areas and industrial kitchens.

With the use of the foam we manage to increase the time of contact between the chemical and the surface to clean, cleaning of fabrics and upholstery avoiding the excessive soaking that generates the appearance of fungi and bacteria, and finally to have a greater visual control of the pulverized surface.

The sprayer is equipped with three mixers (orange, grey and green) which allow to vary the type of foam by choosing between wet, intermediate or dry foam.



TYPE OF FOAM

Technical information

Technical information	FOAM Pro 2
VALVE	Tared at 3 bar / 43.5 psi despresurizable
STANDARD NOZZLES	Special nozzle with fan-type foam
USEFUL CAPACITY	1.25 L - 42 Oz.
TOTAL CAPACITY	1.9 L - 64 Oz.
GROSS WEIGHT	0.7 kg - 1.54 lbs.
NET WEIGHT	0.56 kg - 1.23 lbs.



Sectors in which to use

- Cleaning and disinfection
- Automotive and detailing

Products with which to use

optimal Foaming agents

3 TYPES OF FOAM



DRY FOAM



INTERMEDIATE FOAM



WET FOAM

Logistics data

Logistics data	FOAM Pro 2
CODE	8.16.76
EAN	84.14685.10208.9
CONDITIONING	6 units
UNITS PER PALLET	90 units
DIMENSIONS PER PALLET	1200 x 800 x 1070

Functional information



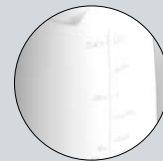
Safety valve with depressurisation option



Protective sleeve for valve chamber



Large opening easy filling



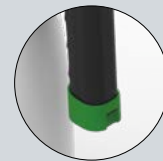
Translucent tank with level indicator



Base for greater stability



Safety lock



Ability to identify content via coloured caps



ACCESSORIES

Personalize your sprayer adapting it to your application needs (height, hard-to-reach areas...)



CONTENT IDENTIFIER IK 1.5/2
Reference 8.16.71.900
Colour caps to identify deposit content between devices of the same line.

MAINTENANCE KITS

Keep your sprayer always ready and get maximum performance



IK MULTI-FOAM 1.5 - Pro 2 MAINTENANCE KIT -
Reference 8.17.71.874

CHAMBER VALVE N. 165	8.38.05.314.1	
ROUND GASKET Ø15 N. 603	2.23.99.43.916	
ROUND GASKET AN-5 N. 607	2.23.16.905	
ROUND GASKET N. 098	2.23.16.990	
ROUND GASKET N. 1269	2.23.16.128	
SHAFT WITH JOINT N. 1285	8.17.71.603	

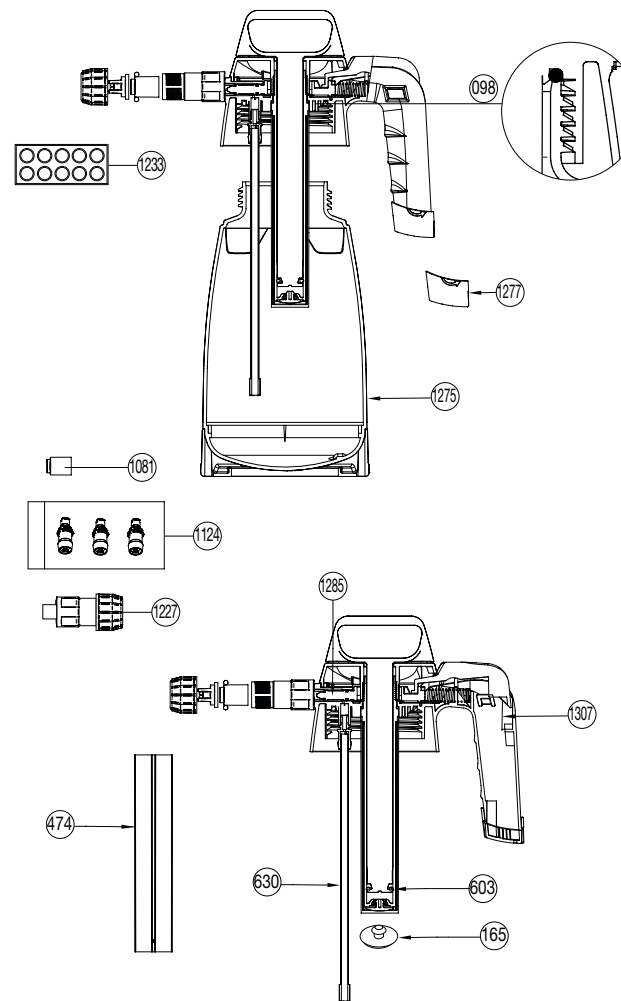


IK FOAM 1.5 - Pro 2 KIT -
Reference 8.16.76.800

FELT DISC N. 1233	8.17.76.313	
COMPLETE FOAM ADAPTER N. 1227	8.17.76.602	

SPARE PARTS

Extend the service life of your sprayer easily replacing parts



N.	COD.	Q	SPARE PARTS NAME
098	2.23.16.990	1	ROUND GASKET
165	8.38.05.314.1	1	CHAMBER VALVE
474	8.17.71.305	1	CYLINDER GUARD
603	2.23.99.439.16	1	ROUND GASKET Ø15
630	8.38.41.320	1	TUBE WITH FILTER
1081	8.17.76.601	1	COMPLETE FELT HOLDER
1124	8.17.76.900	1	BAG WITH MIXERS
1227	8.17.76.602	1	COMPLETE ADAPTER
1233	8.17.76.313	1	FILTER (10 units)
1275	8.16.71.601	1	FULL TANK
1277	8.16.71.900	1	CONTENT IDENTIFICATION PIECE
1285	8.17.71.603	1	SHAFT WITH JOINT
1307	8.16.76.801	1	COMPLETE CHAMBER
	8.17.76.200	1	INSTRUCTION SHEET
	8.17.76.201	1	PACKAGING