



The **IK MULTI Pro 2 sprayer** is well known by its maximum performance in terms of ergonomics, ease of use and safety. It offers a professional spraying solution to achieve optimum results in a wide range of sectors.

IK MULTI Pro 2 is designed for maximum strength and versatility with the most aggressive chemicals. This sprayer is particularly resistant to acids.



Sectors in which to use

- Building
- Cleaning and disinfection
- Industry and maintenance
- Automotive and detailing
- Pest control
- Epidemics & virus control
- Air conditioning (HVAC)

Products with which to use

optimal Disinfectants, neutral products, acids

limited Solvent-based pesticides, alcohols, oils, solvents and petroleum by-products



CHEMICAL PRODUCT TABLE

**IK MULTI /
IK MULTI Pro**

Oils, solvents and petroleum by-products	L
Acids	✓
Alkalis and ketones	✗
Alcohols	L
Disinfectants	✓
Solvent based pesticides	L
Neutral products	✓

L Optimal ✓ Limited ✗ Not valid

Technical information

Technical information	MULTI Pro 2
VALVE	Tared 2.5 bar / 36 psi despresurizable
STANDARD NOZZLES	Adjustable conical nozzle and fan
USEFUL CAPACITY	1.5l. - 50 Oz.
TOTAL CAPACITY	1.90l. - 64 Oz.
LITRES/MIN. 3 BAR	0.7l/min - 0.18 gal/min
GROSS WEIGHT	0.56 kg - 1.23 lbs.
NET WEIGHT	0.70 kg - 1.54 lbs.

Logistics data

Logistics data	MULTI Pro 2
CODE	8.16.71
EAN	84.14685.10207.2
CONDITIONING	6 units
UNITS PER PALLET	90 units
DIMENSIONS PER PALLET	1200 x 800 x 1070

Functional information



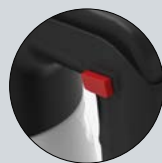
Translucent tank with level indicator



Base for greater stability



Large opening easy filling



Safety lock



Safety valve with depressurisation option



Protective sleeve for valve chamber



Ability to identify content via coloured caps



Option of fitting other types of nozzles and accessories



ACCESSORIES



Personalize your sprayer adapting it to your application needs (height, hard-to-reach areas...)



CONTENT IDENTIFIER IK 1.5/2
Reference 8.16.71.900
Colour caps to identify deposit content between devices of the same line.

MAINTENANCE KITS



Keep your sprayer always ready and get maximum performance

IK MULTI-FOAM 1.5 - PRO 2 MAINTENANCE KIT
Reference 8.17.71.874



CHAMBER VALVE N. 165	8.38.05.314.1	
ROUND GASKET Ø15 N. 603	2.23.99.43.916	
ROUND GASKET AN-5 N. 607	2.23.16.905	
ROUND GASKET N. 098	2.23.16.990	
ROUND GASKET N. 1269	2.23.16.128	
SHAFT WITH JOINT N. 1285	8.17.71.603	

IK MULTI 1,5 / PRO 2 NOZZLE KIT
Reference 8.17.71.871

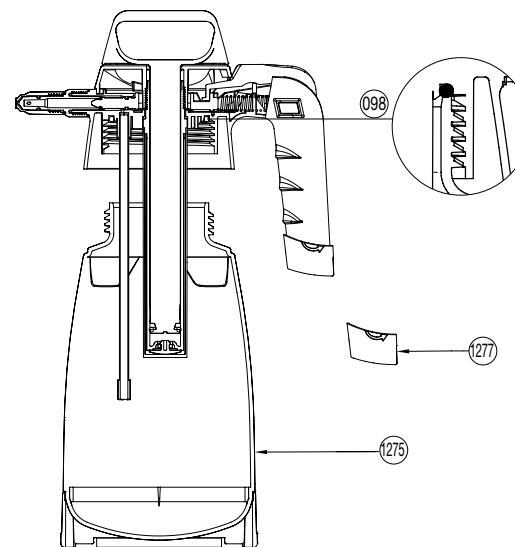


M12 COMPLETE ADAPTER	8.17.71.601	
M18 COMPLETE ADAPTER	8.17.71.602	

SPARE PARTS



Extend the service life of your sprayer easily replacing parts



N.	COD.	Q	SPARE PARTS NAME
098	2.23.16.990	1	ROUND GASKET
165	8.38.05.314.1	1	CHAMBER VALVE
473	8.17.71.601	1	M-12 ADAPTER WITH ADJUSTABLE CONICAL NOZZLE
474	8.17.71.305	1	CYLINDER GUARD
603	2.23.99.439.16	1	ROUND GASKET Ø15
728	8.17.71.602	1	M-18 ADAPTER WITH FAN NOZZLE
1078	8.17.71.802	1	COVER WITH HANDLE
1274	8.16.71.801	1	COMPLETE CHAMBER
1275	8.16.71.601	1	FULL TANK
1276	8.16.71.320	1	221 TUBE WITH FILTER
1277	8.16.71.900	1	CONTENT IDENTIFICATION PIECE
1285	8.17.71.603	1	SHAFT WITH JOINT
	8.16.71.200	1	INSTRUCTION SHEET
	8.16.71.201	1	PACKAGING

