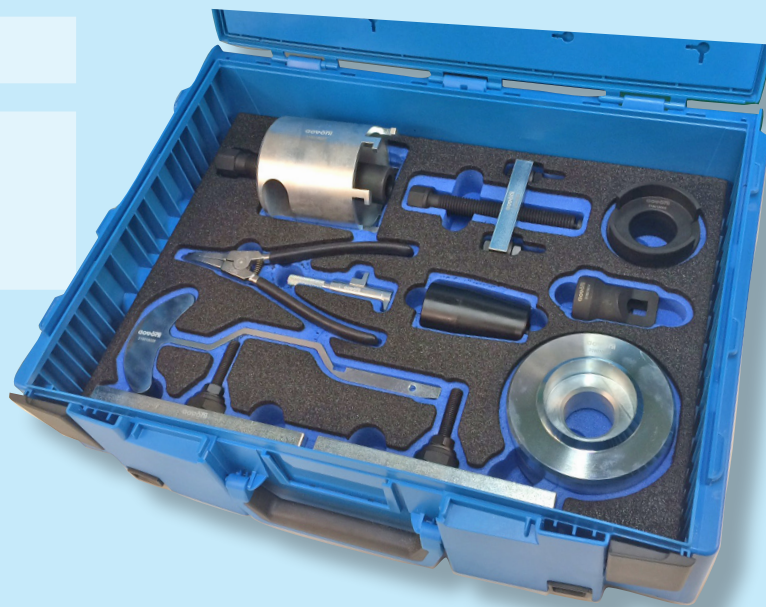




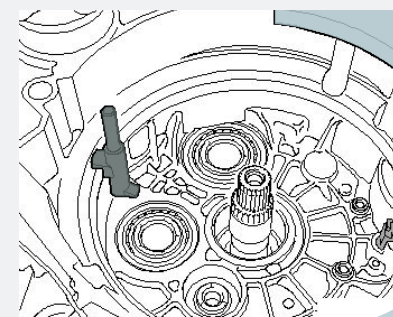
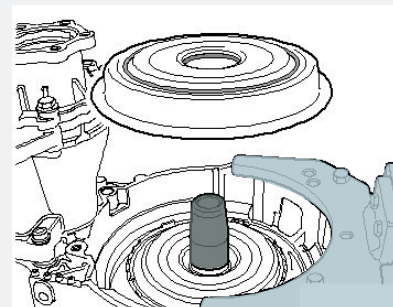
DSG CLUTCH TOOL SET "UPGRADE"

UNIVERSAL



- Required for the professional disassembly and assembly of DSG clutches on VAG vehicles according to the manufacturer's workshop manual.
- New updated range - now also for current models!
- Delivery includes tools for disassembly and assembly, calibration of a new DSG gearbox clutch pack and assembly of the clutch connection cover.

Note: calibration is not required if the clutch is only installed and removed. However, if the clutch pack is completely renewed, the clutch must also be re-calibrated.

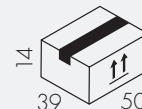


MODELS

AUDI	A3
SEAT	Altea, Altea XL, Ibiza, Leon, Toldeo
SKODA	Fabia, Octavia, Roomster, Superb, Yeti
VW	Golf, Golf Plus, Eos, Jetta, Passat, Polo, Scirocco, Touran

Application

7-speed DSG (Code OAM) up to 05.2011
 7-speed DSG (Code OAM) from 06.2011
 7-speed DSG (Code OCW) S-tronic
 6-speed manual transmission (code O8D)
 6-speed DSG wet (code O2E)
 With VW/Audi/Seat and Skoda models from year of construction 2004



GO CODE **904**
 with 11 pcs. 12,6 kg