

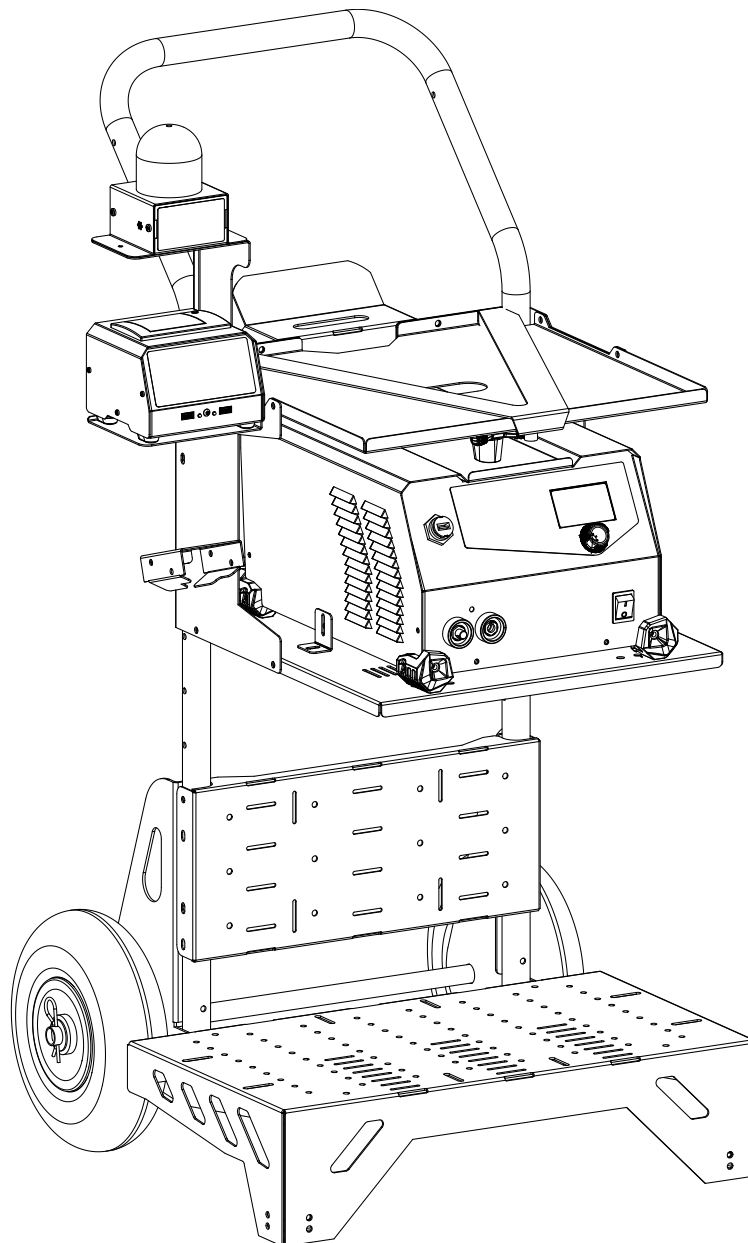


# Notice de montage Assembly manual Montageanleitungen Manuale di assemblaggio

---













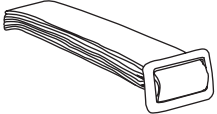

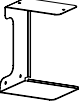
**CHARIOT / TROLLEY / FAHRWAGEN / CARRELLO  
STARTFLASH**

---



**CHARIOT / TROLLEY / FAHRWAGEN / CARRELLO  
STARTFLASH**

**Tableau récapitulatif / Summary table / Zusammenfassende Tabelle  
/ Tabella ricapitolativa**


|  | <b>Dimensions</b>  | <b>Quantity</b> | <b>Reference</b> |
|--|--------------------|-----------------|------------------|
|           | M6 x 12            | x 30            | 41276            |
|           | M6 x 40            | x 18            | 41004            |
|           | M4 x 8             | x 1             | 42009            |
|           | M8 x 20            | x 2             | 41244            |
|           | M6                 | x 50            | 41151            |
|           | M8                 | x 2             | 41157            |
|           | -                  | x 1             | M0446ST          |
|           | 20 x 35 x 1,5 mm   | x 2             | 41214            |
|           | 20,2 x 29 x 1,5 mm | x 6             | 43170            |
|          | M6                 | x 2             | 41204            |
|         | -                  | x 2             | 71140            |
|         | 4 x 40 mm          | x 2             | 42032            |
|         | 1,5 m              | x 2             | 72091            |
| OPTION  | -                  | x 1             | 025745           |
| OPTION  | -                  | x 1             | 028906           |

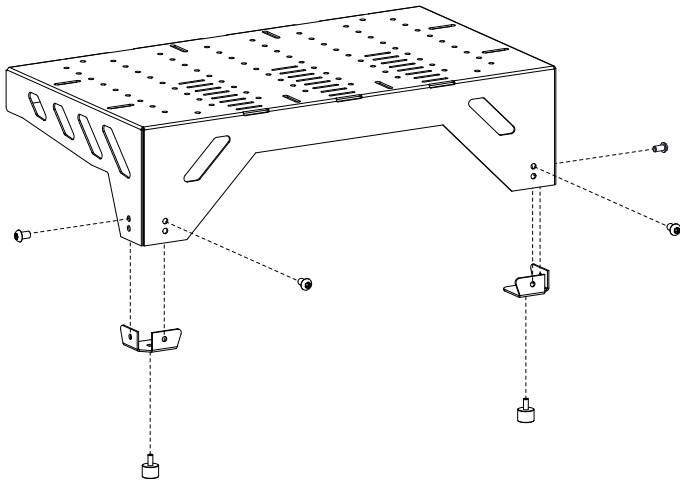
**Outils / Tools / Werkzeug / Utensili**




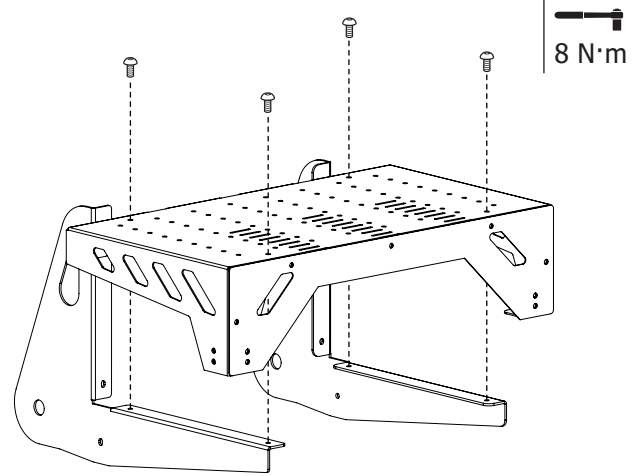
# CHARIOT / TROLLEY / FAHRWAGEN / CARRELLO STARTFLASH



## MONTAGE CHARIOT / TROLLEY MOUNTING / MONTAGE WAGEN / MONTAGGIO DEL CARRELLO

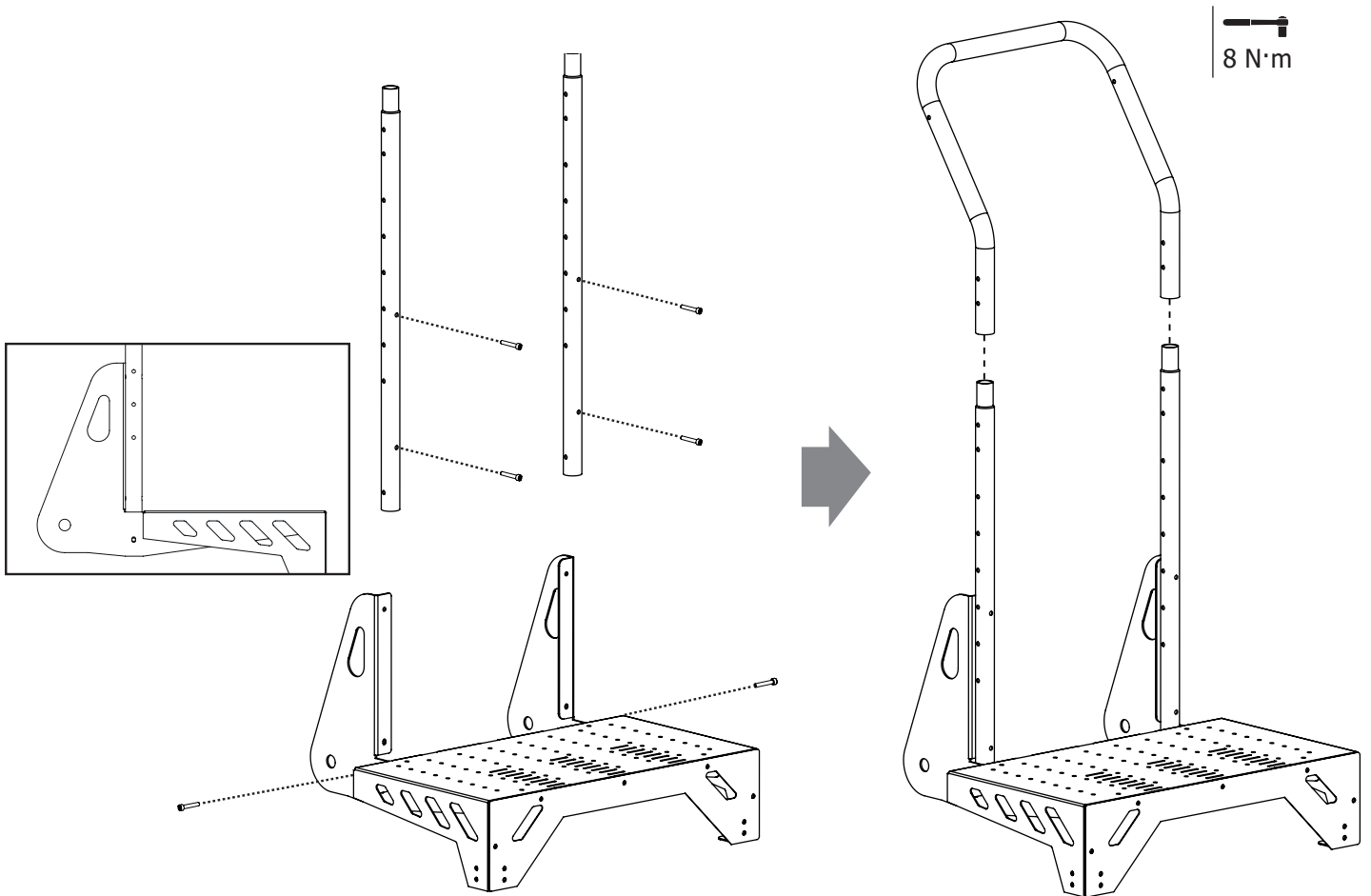
1 |  x4: M6 x 12  x6: M6  x2





2 |  x4: M6 x 12  x4: M6

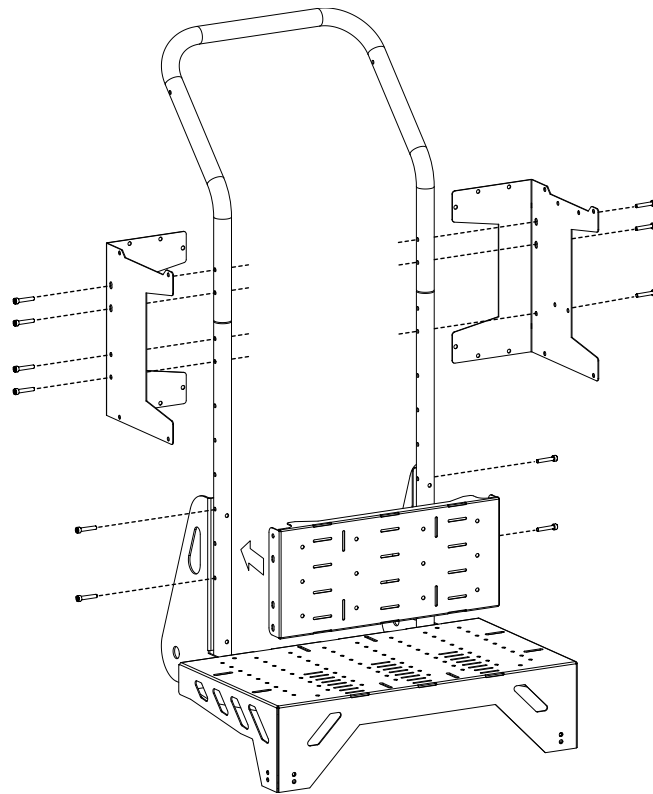


3 |  x6: M6 x 40  x6: M6

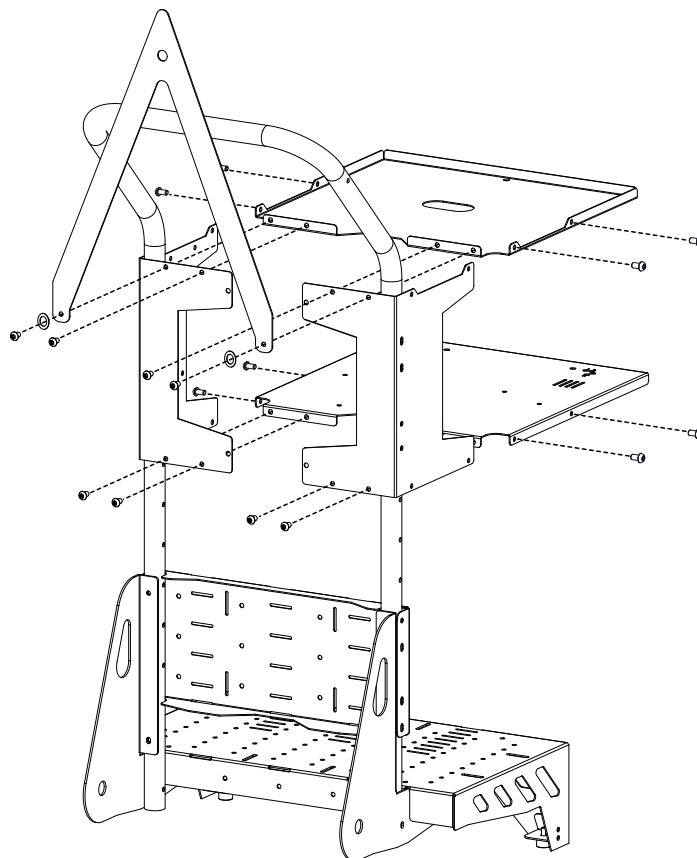


CHARIOT / TROLLEY / FAHRWAGEN / CARRELLO  
STARTFLASH



4 |  x12 : M6 x 40  x12 : M6

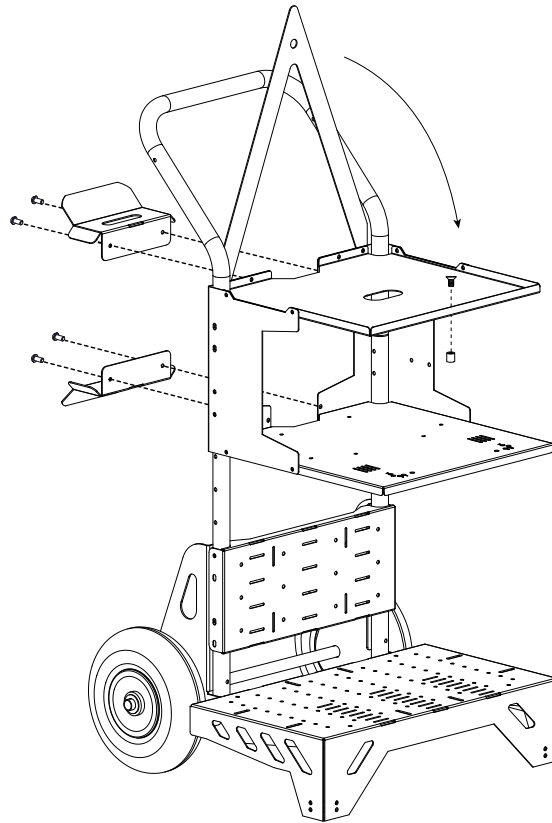


5 |  x16 : M6 x 12  x16 : M6  x2 : M6



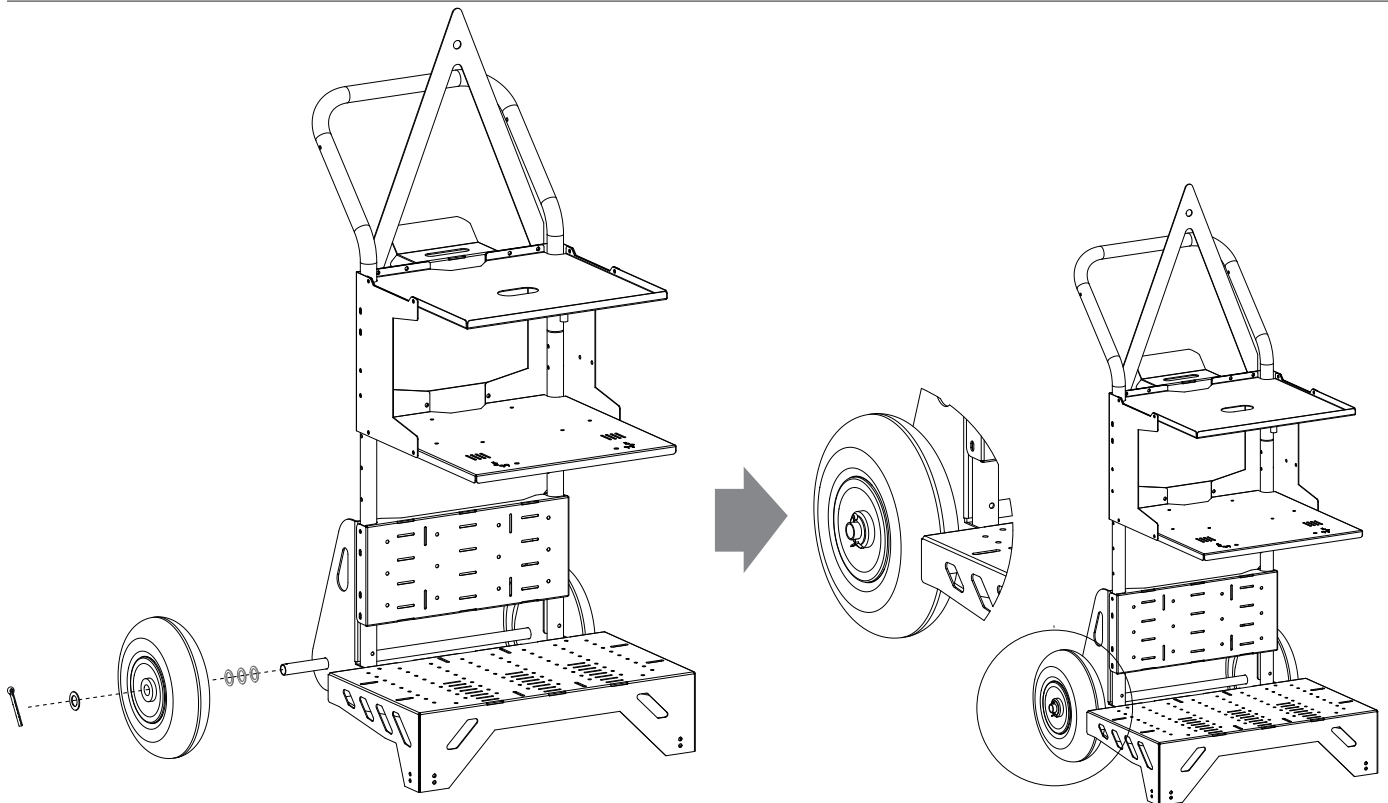
CHARIOT / TROLLEY / FAHRWAGEN / CARRELLO  
STARTFLASH

6 |  x4: M6 x 12  x4: M6  x1: M4 x 8  x1: M4 x 8





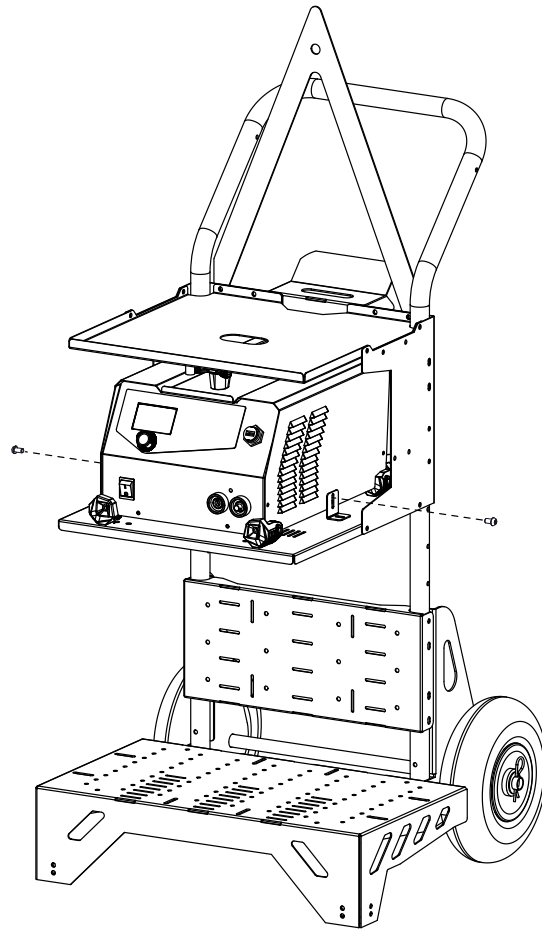
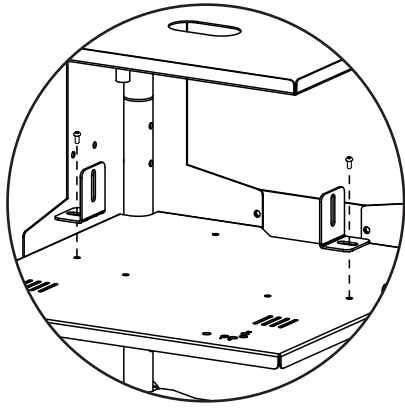
  
8 N·m

7 |  x2  x6  x2



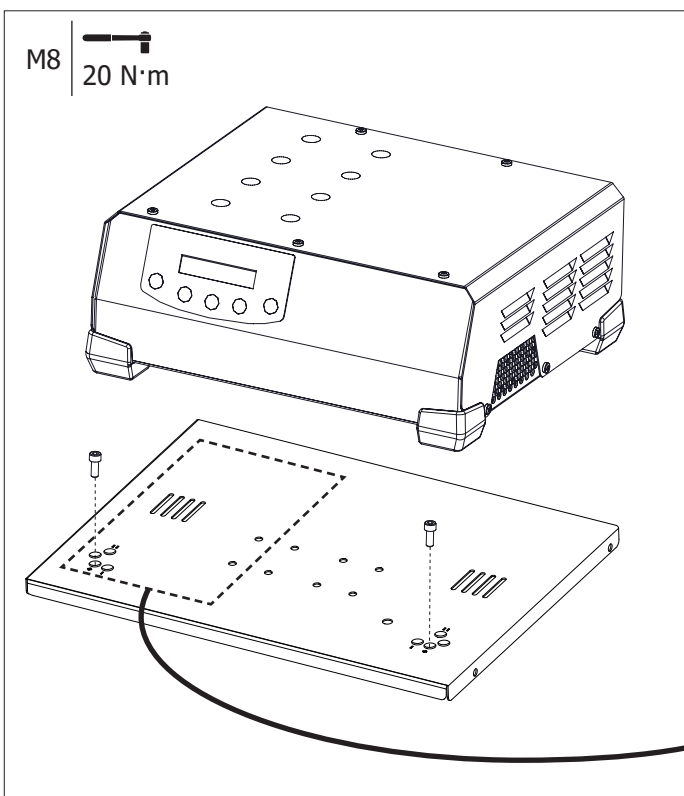
# CHARIOT / TROLLEY / FAHRWAGEN / CARRELLO STARTFLASH

8 |  x2: M6 x 12  x2 : M6

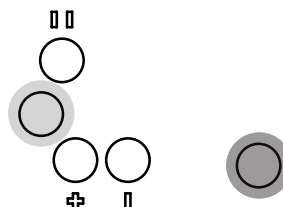
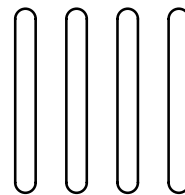


## COMPATIBILITÉ GYSFLASH / GYSFLASH COMPATIBILITY / GYSFLASH-KOMPATIBILITÄT / COMPATIBILITÀ CON GYSFLASH

 x2 : M8 x 20  x2 : M8



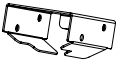


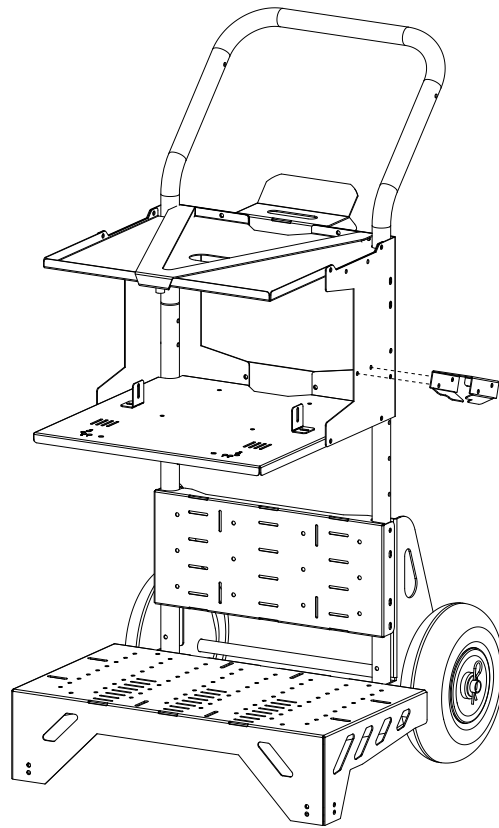
| Gysflash |                                     |
|----------|-------------------------------------|
| -        | 50.12 / 51.12 CNT / 50.24           |
| +        | 100.12 / 101.12 CNT                 |
| =        | 121.12 CNT / 101.24 CNT / 51.48 CNT |
| ●        | 125.12 CNT                          |
| ●        | 30.12 / 30.24                       |





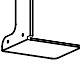
CHARIOT / TROLLEY / FAHRWAGEN / CARRELLO  
STARTFLASH

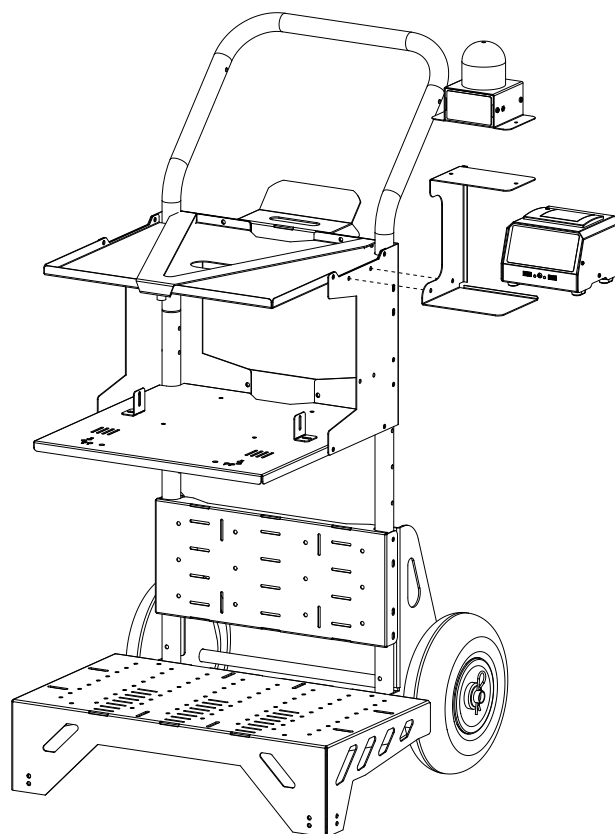
OPTION / OPTION / OPTION / OPZIONE

1 | **025745** |  x2 : M6 x 20  x2 : M6  x1



  
8 N·m

2 | **028906** |  x2 : M6 x 20  x2 : M6  x1

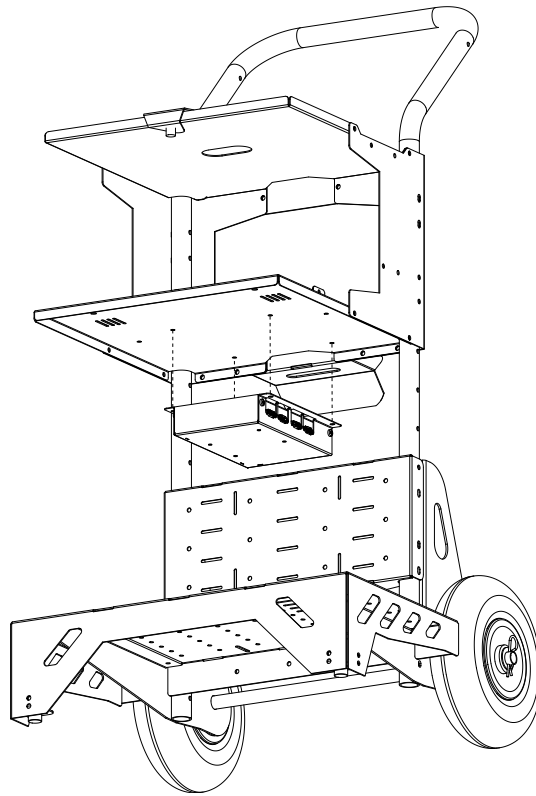


  
8 N·m

# CHARIOT / TROLLEY / FAHRWAGEN / CARRELLO STARTFLASH

## FIXATION SHM / SHM FASTENING / SHM-MONTAGE / MONTAGGIO SHM

 x4 : M5 x 10     x4 : M5     SHM (réf. 025881)



## DIMENSIONS / DIMENSIONS / ABMESSUNGEN / DIMENSIONI

