



Series 228

HJK

1450rpm

P	Code	Description	Q	Note	Validity	P	Code	Description	Q	Note	Validity
1	2289250	Head assembly	1	Ø 18		65	2289021	Cover	1	complete	
2	1381070	Head	1	nickel plated		66	1260430	Ring	1		
3	960870	Plug	1	1/2" G nickel	Screw with Loxeal 55-14 / C=30Nm	67	1780690	Plate	1		
4	180101	O-ring	1	Ø 17,5x2	Lubricate with grease Molykote PG54	68	1260250	Level gauge	1		
5	1981180	Plug	1	3/8" G nickel	Screw with Loxeal 55-14 / C=20Nm	69	1140450	O-ring	1	Ø 20,24x2,62	Lubricate with grease Molykote PG54
6	740290	O-ring	1	Ø 14x1,78	Lubricate with grease Molykote PG54	70	740290	O-ring	1	Ø 14x1,78	Lubricate with grease Molykote PG54
7	1380690	Plug	2	1/4" G nickel	Screw with Loxeal 55-14 / C=15Nm	71	2282280	Plug	1	with magnet	C=20Nm
8	820510	O-ring	2	Ø 10,82x1,78		75	2280340	Bearing	1		
9	4020200	Plug	6	nickel	Screw with Loxeal 55-14 / C=54Nm	76	640030	O-ring	2	Ø 59,99x2,62	
10	960160	O-ring	6	Ø 17,86x2,62	Lubricate with grease Molykote PG54	77	1380120	Shim 0.10mm	1		
11	1389051	Complete valve	6			77	1380130	Shim 0.19mm	1		
12	880830	O-ring	6	Ø 15,54x2,62		77	1380530	Shim 0.25mm	1		
20	960110	Ring	3	support Ø 18		78	2289020	Cover	1	complete	
21	1382740	Water seal	3	Ø 18	Lubricate with grease Molykote PG54	79	1941290	Ring	1		
22	2340310	Ring	3	anti-extrusion		80	1941260	Plate	1		
23	2282120	Piston guide	3	front Ø 18		81	1941270	Level gauge	1		
24	961240	O-ring	3	Ø 31,47x1,78		82	100410	O-ring	1	Ø 34,6x2,62	
25	2980320	Water seal	3	Ø 18	Lubricate with grease Molykote 111	84	850370	Screw	4	TCEI M8x16	C=24,5Nm
26	3200260	Ring	3	anti-extrusion		84*	850370	Screw	4	TCEI M8x16	C=24,5Nm
27	2283160	Piston guide	3	rear Ø 18		85	2282370	Shaft	1	4 marked	
28	880520	Ring	3	seal		86	3200230	Key	1		
40	2283610	Pump body	1			87	1383140	Bearing	1		
41	1383440	Screw	8	TCEI M8x70	C=20Nm	89	2340280	Support	1	open bearing	
42	1381850	Washer	8			90	2282260	Ring	1	seal	Assemble with tool [2281010]
43	880130	Plug	1			A	2864	Valve kit	1		
44	1980740	Plug	1	3/8" G brass	C=20Nm	B	43402	Piston kit	1	Ø 18	
45	740290	O-ring	3	Ø 14x1,78	Lubricate with grease Molykote PG54	C	43403	Oil seal kit	1		
46	1780510	O-ring	1	Ø 106x3		E	43404	Water seal kit	1	Ø 18	
47	780060	Screw	6	TCEI M6x25	C=10,4Nm	G	43405	Support ring kit	1	Ø 18	
50	1260110	Nut	3	M8	Screw with Loxeal 55-14 / C=12Nm	H	47318	Piston guide kit	1	Ø 18	
51	1260100	Washer	3								
52	1383230	Piston	3	Ø 18	Lubricate with grease Molykote PG54						
53	480480	O-ring	3	Ø 4,48x1,78							
54	1080550	Ring	3	anti-extrusion							
55	1383350	Plate	3								
56	2282101	Piston	3	guide							
57	1380060	Pin	3								
58	1383020	Connecting-rod	3	bronze							

Revision: 1

Oil type: SAE 15W40

Attachment:

Date: 22/05/2023

Oil quantity: 0,515 Kg

C= Tightening torque (Tolerance +0 ÷ -10%)

* = Not present for electric pump

29218 - HJK 13.12 H N + VR 3B

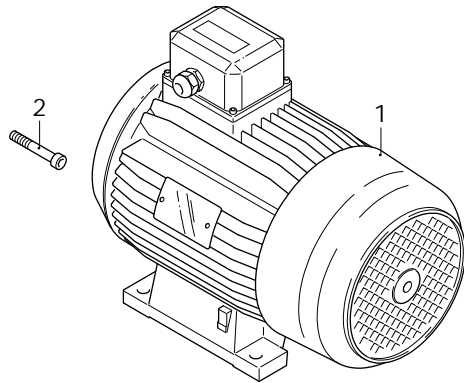


Series 228

HJK

1450rpm

P	Code	Description	Q	Note	Validity
1	44352	Motor	1	7,5 HP	
2	620610	Screw	4	Screw with Loxeal 55-14 / C=24,5Nm	



AR-1_motore-26_v01

Revision: 1

Oil type: SAE 15W40

Attachment:

Date: 22/05/2023

Oil quantity: 0,515 Kg

C=Tightening torque (Tolerance +0 ÷ -10%)

29218 - HJK 13.12 H N + VR 3B

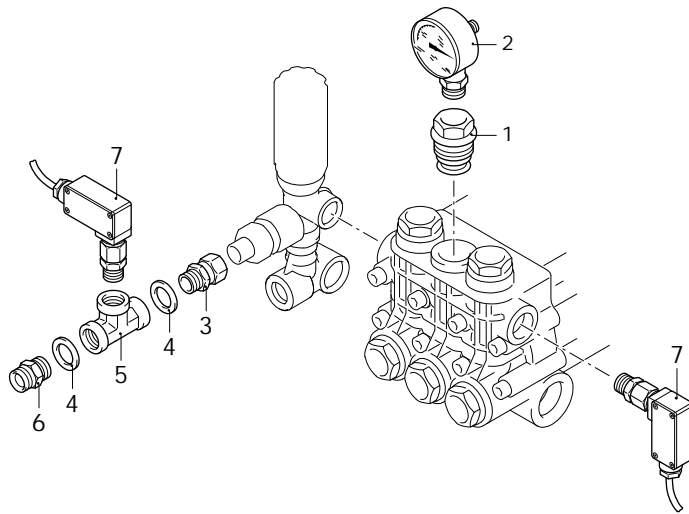


Series 228

HJK

1450rpm

P	Code	Description		Q	Note	Validity
1	1381340	Plug	1/4" G nickel	1		
2	740260	Pressure gauge	Ø 63	1		
3	1420860	Fitting	3/8 "G (F-M)	1		
4	1560280	Washer		2		
5	2283010	Fitting	T 3/8"G (F)	1		
6	2283000	Fitting	3/8 "G (M-M)	1		
7	51368	Pressure switch	Red ring nut	2		



AR-1_completamento-04_v01

Revision: 1

Oil type: SAE 15W40

Attachment:

Date: 22/05/2023

Oil quantity: 0,515 Kg

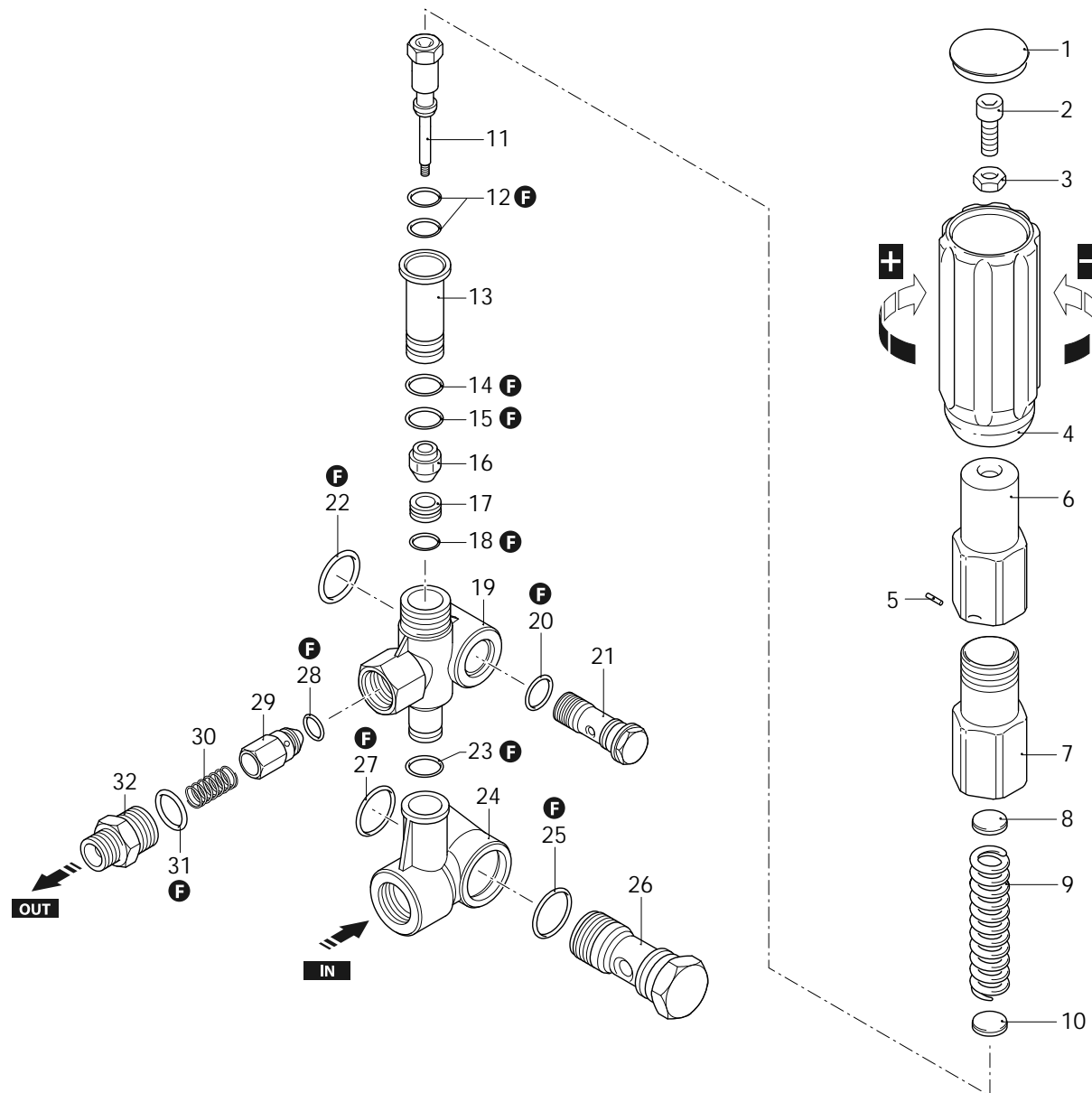
C=Tightening torque (Tolerance +0 ÷ -10%)

29218 - HJK 13.12 H N + VR 3B



VR 3B

300 bar



AR-1_valvola-02_v01

22/05/2023



VR 3B

300 bar

P	Code	Description	Q	Note	Validity	P	Code	Description	Q	Note	Validity
1	1560580	Plug	1								
2	540290	Screw	1	C=25Nm							
3	1660210	Nut	1								
4	1560400	Knob	1								
5	1080070	Pin	1								
6	1560421	Screw	1								
7	2260331	Guide	1								
8	2260140	Wobble plate	1								
9	1560350	Spring	1								
10	2260340	Wobble plate	1								
11	2260060	Piston	1								
12	2540100	O-ring	2	Lubricate with grease Molykote PG54							
13	2260041	Piston guide	1								
14	740291	O-ring	1								
15	1123580	O-ring	1								
16	2761290	Piston	1	Screw with Loxeal 83-21 / C=3Nm							
17	2260080	Seat	1								
18	2540110	O-ring	1								
19	2260171	Valve body	1								
20	390082	O-ring	1								
21	1540273	Screw	1								
22	2260191	O-ring	1								
23	390082	O-ring	1								
24	1540472	Suction fitting	1								
25	880272	O-ring	1								
26	1540360	Screw	1	C=40Nm							
27	1540631	O-ring	1								
28	1560152	O-ring	1								
29	1560891	Shutter	1								
30	1560140	Spring	1								
31	180102	O-ring	1								
32	1560111	Fitting	1	C=35Nm							
F	46964	Gasket kit	1								

Revision: 1

Oil type: -

Attachment:

Date: 22/05/2023

Oil quantity: -

C=Tightening torque (Tolerance +0 ÷ -10%)