

## HOLZMANN-MASCHINEN GmbH

Marktplatz 4 · 4170 Haslach · Austria

Telefon +43.(0)7289.71562-0

Telefax +43.(0)7289.71562-4

Email info@holzmann-maschinen.at

Gewerbepark 8 · 4707 Schlüsslberg · Austria

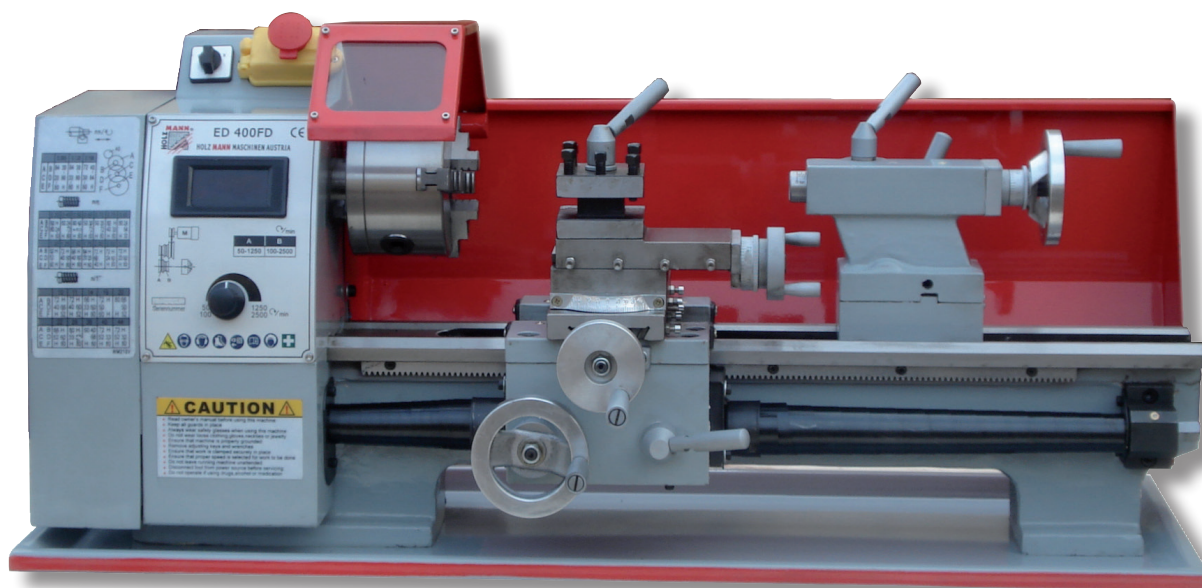
Telefon +43.(0)7248.61116-0

Telefax +43.(0)7248.61116-6

www.holzmann-maschinen.at



# HOLZMANN ED 400FD



DEUTSCH

ENGLISH

Revision 3/ 06.05.2011

Dear Customer!

This manual contains Information and important instructions for the installation and correct use of the metal lathe ED 400FD. This manual is part of the machine and may not be stored separately from the machine. Save it for later reference and if you let other persons use the machine, add this instruction to the machine.

Please read and obey the security instructions!



Before first use read this manual carefully. It eases the correct use of the machine and prevents misunderstanding and damages of machine and the user's health.

Due to constant advancements in product design and construction pictures and content may differ slightly. However, if you discover any errors, inform us please with the product feedback form.

Technical specifications are subject to changes!

Copyright © 2011

This document is protected by international copyright law. Any unauthorized duplication, translation or use of pictures, illustrations or text of this manual will be pursued by law – court of jurisdiction is A-4020 Linz, Austria!

Sehr geehrter Kunde!

Diese Bedienungsanleitung enthält Informationen und wichtige Hinweise zur Inbetriebnahme und Handhabung der Metall-drehbank ED 400FD.

Die Bedienungsanleitung ist Bestandteil der Maschine und darf nicht entfernt werden. Bewahren Sie sie für spätere Zwecke auf und legen Sie diese Anleitung der Maschine bei, wenn sie an Dritte weitergegeben wird!



Bitte beachten Sie die Sicherheitshinweise!

Lesen Sie vor Inbetriebnahme diese Anleitung aufmerksam durch. Der sachgemäße Umgang wird Ihnen dadurch erleichtert, Missverständnissen und etwaigen Schäden wird vorgebeugt. Halten Sie sich an die Warn- und Sicherheitshinweise. Missachtung kann zu ernststen Verletzungen führen.

Durch die ständige Weiterentwicklung unserer Produkte können Abbildungen und Inhalte geringfügig abweichen. Sollten Sie jedoch Fehler feststellen, informieren Sie uns bitte über E-Mail oder Fax mit Produktinformationsformular am Ende dieser Anleitung.

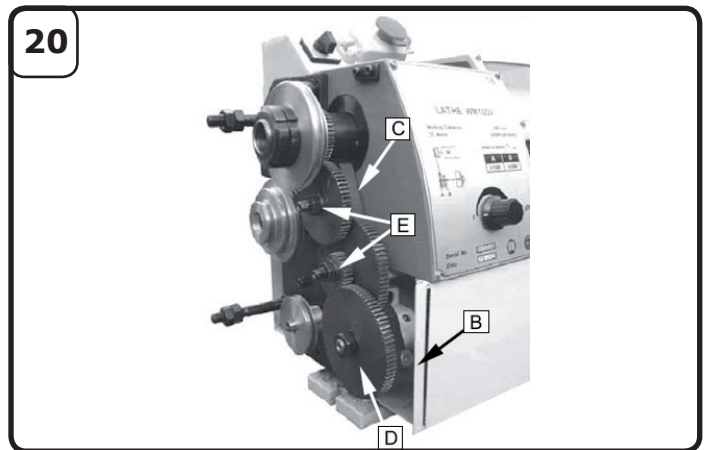
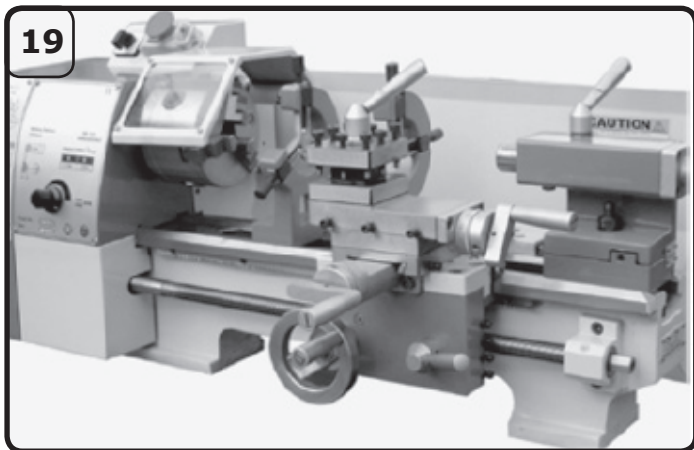
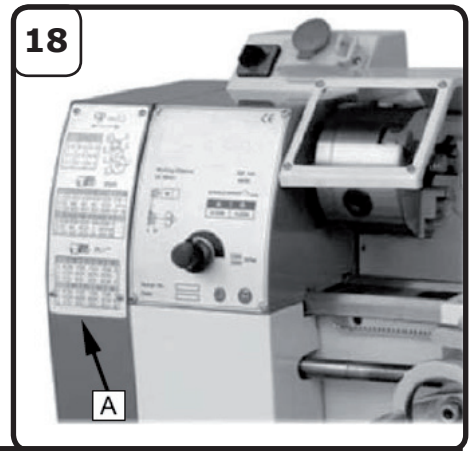
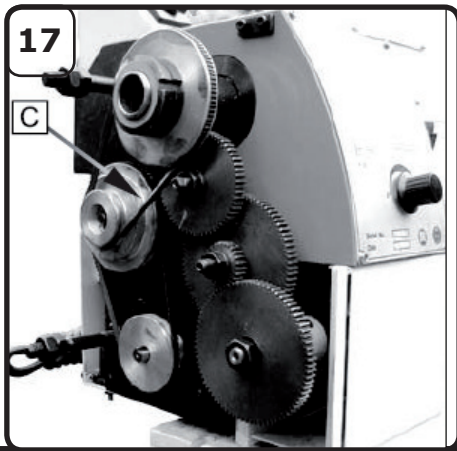
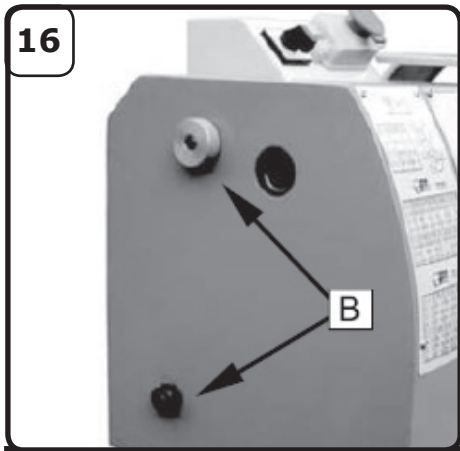
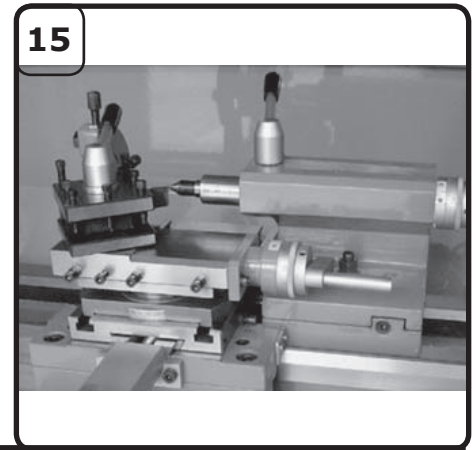
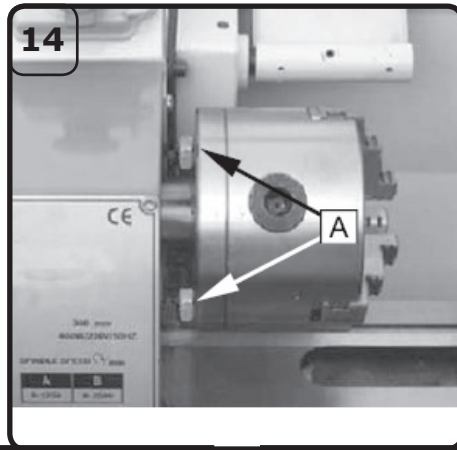
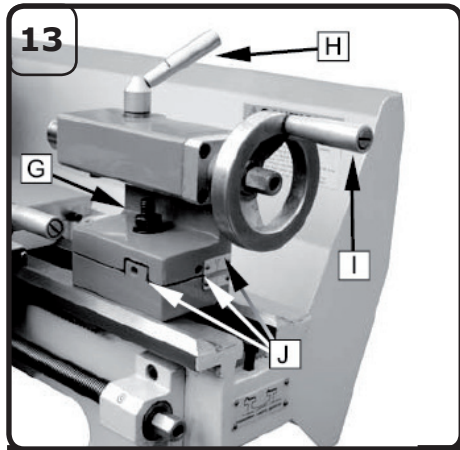
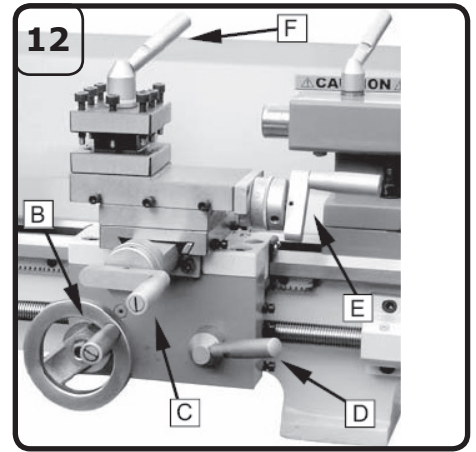
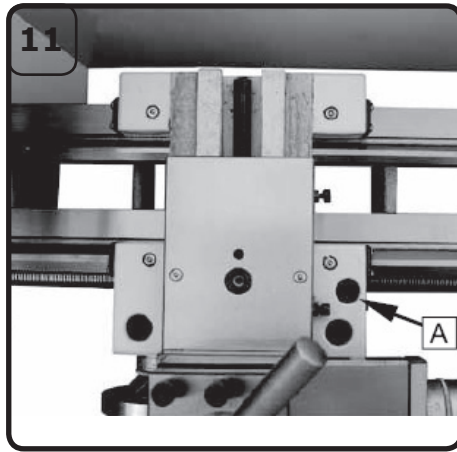
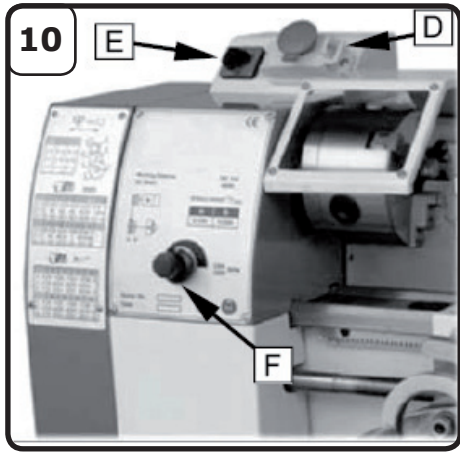
Technische Änderungen und Irrtümer vorbehalten!

Urheberrecht © 2011

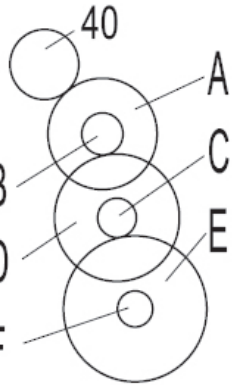
Diese Dokumentation ist urheberrechtlich geschützt. Die dadurch verfassungsmäßigen Rechte bleiben vorbehalten! Insbesondere der Nachdruck, die Übersetzung und die Entnahme von Fotos und Abbildungen werden gerichtlich verfolgt – Gerichtsstand ist A-4020 Linz, Austria!



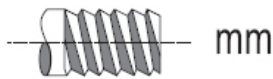




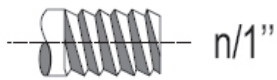
21



		0.089		0.138		0.198	
A	B	84	30	84	30	72	40
C	D	20	80	33	80	30	84
E	F	80	H	80	H	80	H

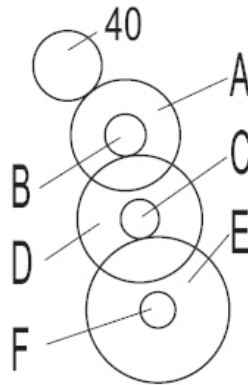


		0.30	0.40	0.50	0.60	0.70	0.75	0.80
A	B	60 H	60 24	80 40	50 30	50 35	80 H	80 24
C	D	80 24	72 60	72 60	72 72	40 30	84	
E	F	H 80	H 80	H 80	H 80	H 80	H 80	H 30
		1.00	1.25	1.50	1.75	2.00	2.50	3.00
A	B	60 H	72 H	66 H	84 H	72 H	72 H	72 H
C	D	52 40	50 50	40 60	20 35	66 66	24 60	20 60
E	F	80 H	H 80	H 80	H 80	40 H	H 80	H 80

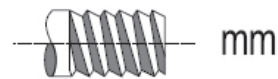


		10	11	14	19	20
A	B	72 H	72 H	66 H	72 H	80 66
C	D	40 66	40 60	33 60	50 50	50
E	F	H 52	H 52	H 80	60 H	H 52
		22	28	38	40	44
A	B	66 H	80 H	60 40	72 H	72 H
C	D	52 60	33 30	66 66	52 33	52 30
E	F	H 80	H 80	H 80	H 80	H 80

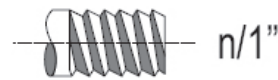
22



		0.0037"		0.0068"	
A	B	84	30	72	30
C	D	20	80	33	80
E	F	80	H	80	H

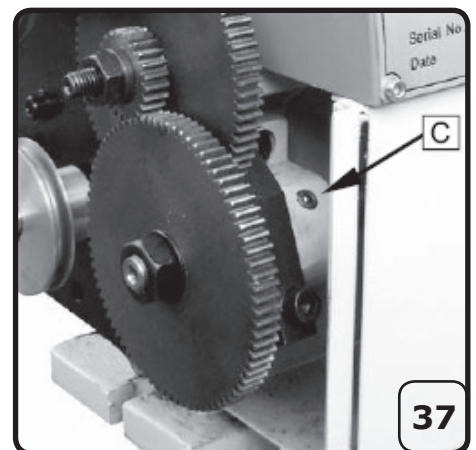
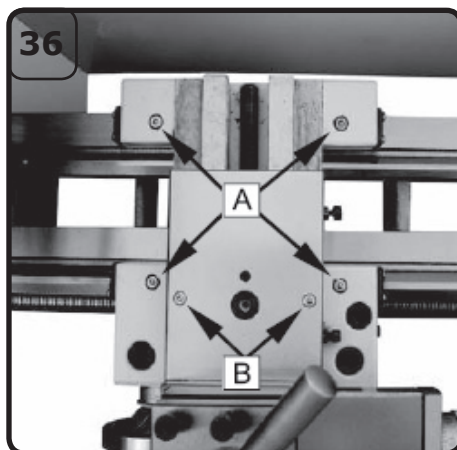
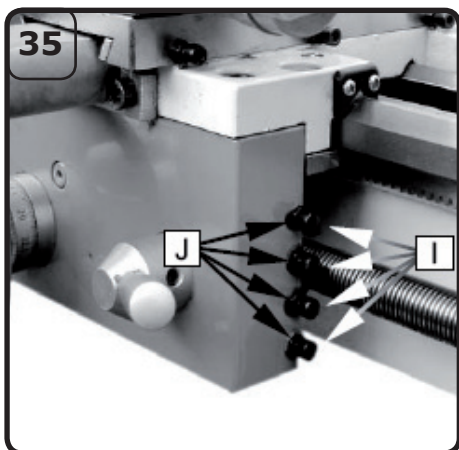
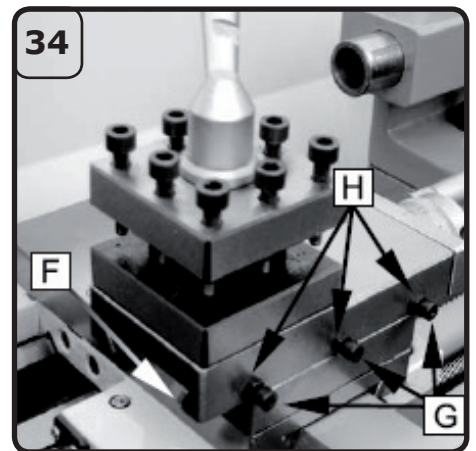
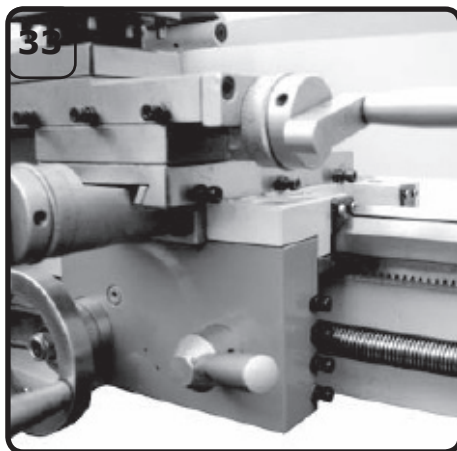
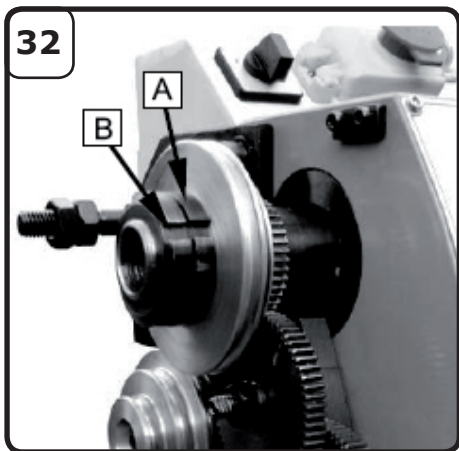
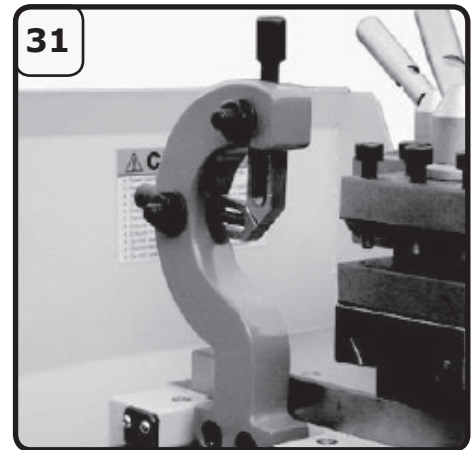
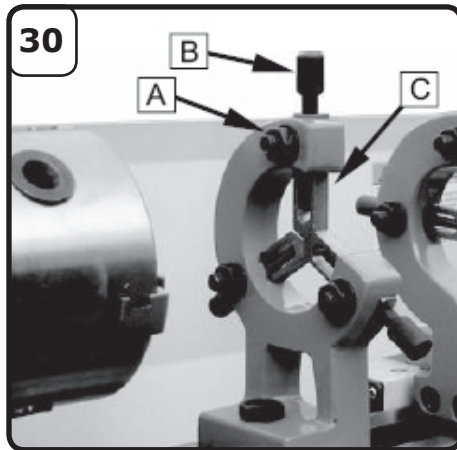
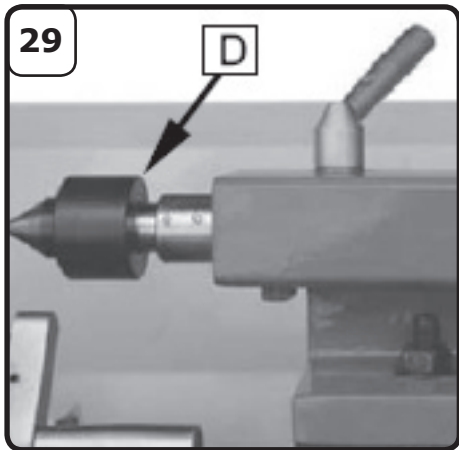
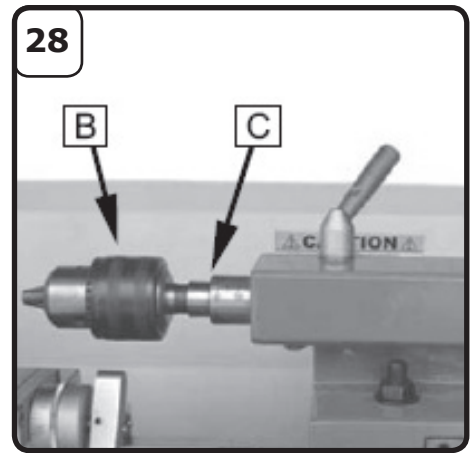
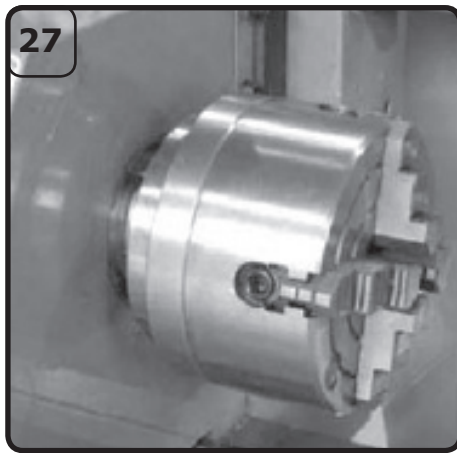
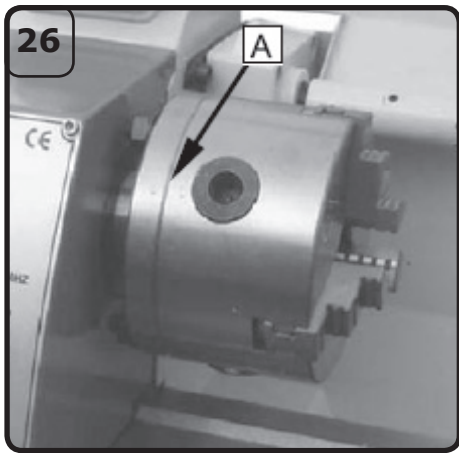


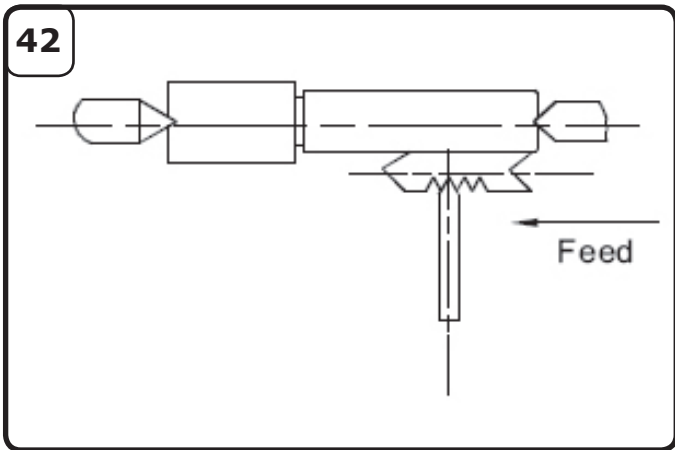
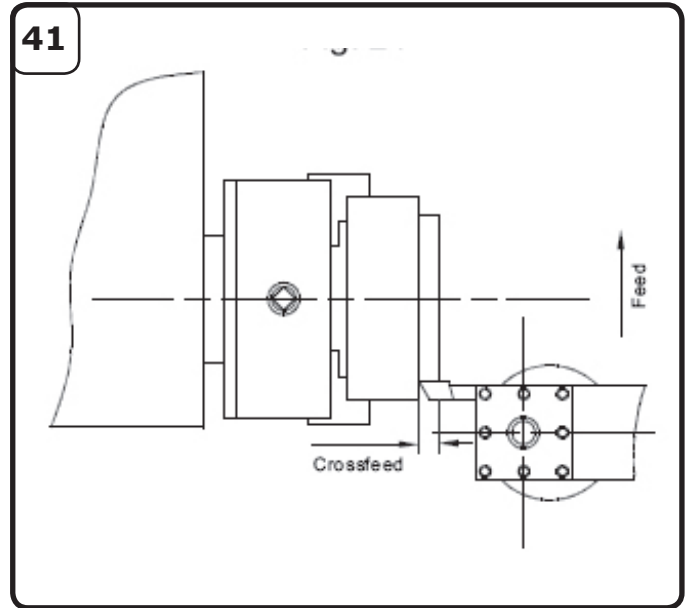
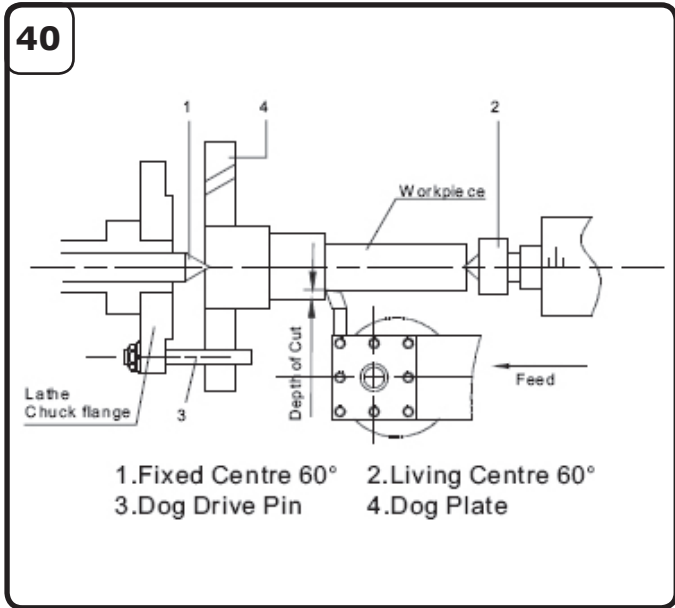
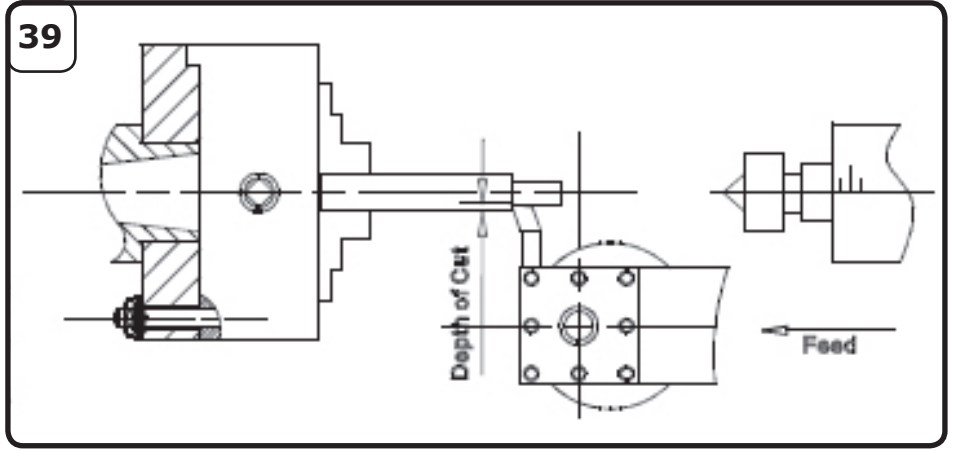
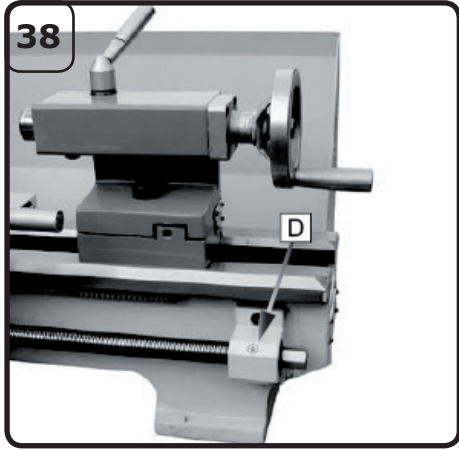
		0.40	0.50	0.60	0.70	0.80	1.00
A	B	55 H	60 H	70 H	57 H	72 H	80 H
C	D	80 30	70 33	53 30	60 40	40 30	40 33
E	F	H 80	H 80	H 80	H 80	H 80	H 70
		1.25	1.50	1.75	2.00	2.50	3.00
A	B	53 H	57 H	80 H	63 H	63 H	70 H
C	D	71 63	71 63	20 33	30 60	40 71	40 71
E	F	H 60	H 50	H 80	H 84	H 60	H 50



		9	10	11	12	14	18
A	B	53 H	57 H	55 H	57 H	63 H	57 H
C	D	80 30	80 72	80 72	70 70	40 60	63 63
E	F	30 H	H 30	H 33	40 H	H 70	60 H
		19	20	22	24	40	44
A	B	53 H	53 H	60 H	53 H	63 H	70 H
C	D	80 63	80 60	71 53	55 55	55 33	55 30
E	F	H 50	H 50	H 55	80 H	H 80	H 80











# 1. GENERAL SAFETY RULES

## READ THE MANUAL

Read and understand the owner's manual and labels affixed to the machine. Learn its application and limitations as well as the specific potential hazards peculiar to it.



## AVOID DANGEROUS CONDITIONS

Keep working area and the ground clean and free of oil and other materials!

Assure that the working area is sufficiently lighted!

Don't use the machine outside!

The use of the machine is forbidden if you are tired, not concentrated as well if you are under the influence of medicaments, alcohol and other drugs. Reduce distraction sources in the working area.

BEWARE: Routine leads to insufficient attention.



## OPERATOR

The machine shall be used only by trained persons with an age of at least 18 years.

Non authorized personnel, especially children, shall be kept away from the machine! Make your workshop childproof.



## CLOTHING

When working with the machine, don't wear loose clothing, long hair openly or loose jewellery like necklaces etc. Loose objects might be caught by rotating parts and cause serious injuries.



## SAFETY EQUIPMENT

Use proper safety clothing and devices when operating the machine (safety glasses, ear protectors)!

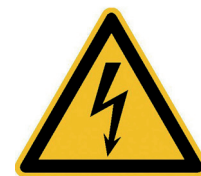


## ELECTRIC CONNECTION

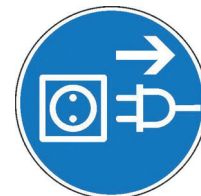
Assure yourself that your feeding current complies with the requirements of the motor - check the typeplate.

Electric checks and the electric installation of the machine may only be performed by a qualified electrician.

DO NOT touch leading machine parts.



Prior to any Cleaning, Check, maintenance or tool change shut the machine off and disconnect it from the power supply in order to prevent unintended start up of the machine.



## NEVER FORCE YOUR MACHINE

It will do a better job if used at its designed output rate. Forcing your machine shortens its lifespan, may cause machine defects and poses a security risk.

## DO NOT OVERREACH

Keep proper footing and balance at all times.

## SECURE SMALL WORKPIECES

When processing small workpieces, fix them with a suitable device like a vice, downholder, to avoid accidents. Do not fix or feed small workpieces by hand. Keep your hands away from dangerous area, always guide the workpiece or tool securely.

## MAINTAIN TOOLS WITH CARE

Assure yourself to keep your working tools always sharp and in best working condition. Defect or blunt tools pose a security risk.

## MAINTAIN SAFETY GUARDS, COMPONENTS AND SIGNS

Assure yourself, that all safety guards and safety devices of your machine are working in best condition. Damaged Safety guards have to be repaired before using the machine again. Check the function of the machines Safety components like Emergency OFF Buttons and Disconnectors in regular intervals. Defect Safety components have to be replaced immediately. Check the condition of the Safety signs and operation rule plates on your machine. Replace missing or non-readable ones.

## NEVER LEAVE MACHINE RUNNING UNATTENDED

Before leaving the machine, shut it off and wait until the motor and all rotating parts stop.

## REMOVE UNUSED TOOLS, KEYS, WRENCHES

Form a habit to check that there are no tools, keys, wrenches ... on the machine/tool before you start the machine.

Remove all accessories and tools from the machine before you switch it on.



## 2. SPECIFIC RULES

### CORRECT USE

This metal turning lathe shall be used explicitly for turning and drilling of metal and plastic materials suitable for chip removal.

The processing of other materials is not allowed!

**never process magnesium - Burn Hazard!**

### OBEY THE SPECIFIC WORK RULES FOR METAL LATHES

Besides the information of this manual and the specific work safety rules valid in your country you should be familiar (through proper education & experience) with the specific operation, safety and processing rules that have to be obeyed when working with a metal lathe.

Do not wear gloves when working with the machine. It might be caught in rotating parts and cause severe injuries.

Comply to the rules of max. workpiece diameter, length etc ...

Always check the fastening tool to be mounted properly so that it cannot become loose.

Check the workpiece for being fastened correctly.

Use the lathe chucks within the frame they are designed. Do not attempt to fasten workpieces with diameters that do not match with the chuck. Do not overfasten the chuck.

Process only short workpieces without tailstock. Additionally, if the workpiece length is more than 3 times the workpiece diameter, the workpiece has to be secured with the tailstock as well by all means.

Avoid the combination of short fastening diameters with big machining diameters.

Avoid short fastening lengths

Always be informed about the technical limitations of your tools. Especially - never use a tool at turning speeds that lie above the max. allowed turning speed of the tool.

Perform tapping, threading in general and the machining of non centrally fastened workpieces only at slow turning speeds.

## WORKPLACE REQUIREMENTS

The workplace must have:

sufficient lighting conditions to prevent shadows or eye strain.

a clean, level underground that is vibration resistant! We strongly recommend to install the the metal lathe onto a solid, vibration-resistant workbench.

enough place around the machine for safe handling and feeding of the material.

A proper, compatible electric supply circuit.

Humidity: max. 90% for max. 25°C  
max. 70% for max. 40°C  
height above sea level: max. 1000m

Do not use the machine outdoors.  
Do not use the machine in workplaces with explosion and fire hazard.

## RESIDUAL RISKS

The work with a metal lathe always contains a certain risk that can never be eliminated entirely. This is a non complete shortlist indicating some of the most dangerous remaining residual risks:

Risk of personal injury due to coming into contact with the rotating workpiece or rotating chuck.

Risk of personal injury through chips - wear safety goggles.

Risk of electrocution when touching leading machine components.

Risk of personal injury by touching sharp workpiece edges.

You can minimize these residual risks by following all security, maintenance and operation rules.

## INAPPROPRIATE MACHINE USAGE

Any use that does not comply with the security rules, maintenance guidelines or operation rules described in this manual.

Any use that does not comply to max. workpiece dimensions, max. turning speed or other technical limitations.

The use of the machine by not sufficiently trained persons in general.

HOLZMANN Maschinen cannot be made liable for any damages to machine and person being a direct or indirect consequence of improper use of the machine.



### 3. MACHINE SETUP

#### ! ATTENTION

Read and understand the security and Machine setup sections of this manual before attempting to set-up the machine. Failure to do so might result in machine damage or even serious injuries!

Remove the wooden crate around the lathe.

#### CHECK DELIVERY CONTENT

Check the contents of the shipping container:

ED 400FD metal lathe  
Test Flow Chart  
Toolbox

Contents of the Toolbox:

See **Figure 2**

- 1 Dead center MT3
- 1 Dead center MT2
- 3 External Jaws
- 1 Oil gun
- 1 Cross screwdriver
- 1 Flat screwdriver
- 1 Key for 3-Jaw chuck
- 5 Hex Socket wrenches
- 3 Double End Head Wrenches
- 1 Change Gears

#### SETTING TO WORKPLACE

Unbolt the lathe from the shipping crate bottom.

Choose a location for the lathe that:

fulfils all requirements from the security section.

With adequate lifting equipment, slowly raise the lathe off the shipping crate bottom.

DO NOT LIFT the machine by a spindle. Make sure that the lathe is balanced before lifting it.

Lifting has to be performed by respectivel trained persons.

To avoid twisting the bed, the lathe`s location must be absolutely flat and level. Bolt the lathe to the stand (if used). If using a bench, through bolt for best performance. Check **Figure 1** for the boring hole distances.

Clean all rust protected surfaces using a mild commercial solvent, kerosene or diesel fuel. Do not use paint thinner gasolone or lacquer thinner. These will damage painted surfaces. Cover all cleaned surfaces with a light film of 20W machine oil.

Remove the end gear cover. Clean all components of the end gear assembly and coat all gears with a heavy, non-slinging grease.

Lubricate the machine at all lubrication points and fill the oil reservoirs to operating level before placing the lathe into service!

Instructions for lubrication can be found in the maintenance section of this manual.

LUBRICATE ALL SLIDEWAYS LIGHTLY BEFORE EVERY USE. LUBRICATE THE CHANGE GEARS AND THE LEADSCREW SLIGHTLY WITH A LITHIUM-BASED GREASE.

## 4. MACHINE DESCRIPTION

The ED 400FD is a High Quality metal turning lathe, especially designed for the sophisticated private user but as well for professional workshops requiring the machine for processing small to middle workpieces.

### LATHE BED - FIG. 3

The lathe bed is made of high-grade iron with low vibration and rigidity. It integrates the headstock and drive unit, for attaching the carriage and leadscrew. The two precision-ground V-sideways, reinforced by heat hardening and grinding, are the accurate guide for the carriage and tailstock. The main motor is mounted to the rear of the left side of the bed.

### HEADSTOCK - FIG. 4

The headstock is cast from high grade, low vibration cast iron. It is bolted to the machine bed with four screws. The headstock houses the main spindle with two precision taper roller bearings and the drive unit.

The main spindle transmits the torque during the turning process. It also holds the workpieces and clamping devices (e.g. 3-jaw chucks)

### CARRIAGE - FIG. 5

The carriage is made from high quality cast iron. The slide parts are smoothly ground. They fit the V on the bed without play. The lower slide parts can be easily and simply adjusted. The cross slide is mounted on the carriage and moves on a dove tailed slide. Play in the cross slide may be adjusted with the gibs.

Move the cross slide with the handwheel.

A four way tool post is fitted on the top slide and allows four tools to be clamped. Loosen the center clamp handle to rotate any of the four tools into position.

### APRON - FIG. 6

The apron is mounted on the bed. It houses the half nut with an engaging lever for activating the automatic feed.

The half nut gibs can be adjusted from the outside.

A rack, mounted on the bed, and a pinion operated by handwheel on the carriage allow for quick travel of the apron.

### LEADSCREW - FIG. 8

The leadscrew A is mounted on the front of the machine bed. It is connected to the gearbox at the left for automatic feed and is supported by bearing on both ends. The hex nut B on the right end is designed to take up play on the leadscrew.

### TAILSTOCK - FIG. 9

The tailstock slides on a V way and can be clamped at any location. The tailstock has a heavy-duty spindle with a morse taper MT2 socket and a graduated scale. The spindle can be clamped at any location with a clamping lever. The spindle is moved with a handwheel at the end of the tailstock.

Fit the securing screw C at the end of the lathe on order to prevent the tailstock from falling off the lathe bed.

### EMERGENCY BUTTON ON/OFF

See figure 10, number D. The machine can be switched on and off with the ON/OFF button. Depress to stop all machine functions. To restart, lift the cover and press the green ON button.

### SPINDLE DIRECTION SWITCH

See figure 10, number E. After the machine is switched on, turn the spindle direction switch E to the position „F” for counter clockwise rotation or to position „R” for clockwise spindle rotation. „0” is the OFF position and the spindle remains idle.

### VARIABLE SPEED CONTROL KNOB

See figure 10, number F. Turn the control knob clockwise to increase and anti clockwise to reduce the spindle speed. The speed range depends from the drive belt position.

**CARRIAGE LOCK - Fig. 11**

Turn the hex socket cap screw A clockwise and tighten it to lock. Turn it counter-clockwise to loosen and unlock.

**CAUTION:** The carriage lock screw must be unlocked before engaging into automatic feeds! Otherwise machine damage might occur.

**LONGITUDINAL TRAVERSE HANDWHEEL**

See Figure 12, number B.  
Rotate the handwheel clockwise to move the apron assembly towards the tailstock (right).

Rotate the handwheel counter-clockwise to move the apron assembly towards the headstock (left).

**CROSS TRAVERSE LEVER**

See Figure 12, number C.  
Clockwise rotation moves the cross slide towards the rear of the machine.

**HALF NUT ENGAGE LEVER**

See Figure 12, number D.  
Move the lever down to engage. Move the lever up to disengage.

**COMPOUND REST TRAVERSE LEVER**

See Figure 12, number E.  
Rotate the lever to move the compound rest.

**TOOL POST CLAMPING LEVER**

See Figure 12, number F.  
Rotate counter-clockwise to loosen and clockwise to tighten. Rotate the tool post when the lever is unlocked.

**TAILSTOCK CLAMPING SCREW**

See Figure 13, number G.  
Turn hex nut clockwise to lock and counter-clockwise to unlock.

**TAILSTOCK QUILL CLAMPING LEVER**

See Figure 13, number H.

Rotate the lever clockwise to lock the spindle and counter-clockwise to unlock.

**TAILSTOCK QUILL TRAVERSE HANDWHEEL**

See Figure 13, number I

Rotate clockwise to advance the quill. Rotate counter-clockwise to retract the quill.

**TAILSTOCK OFF-SET ADJUSTMENT**

See Figure 13, number J

Three set screws located on the tailstock base are used to off-set the tailstock for cutting tapers. Loosen lock screw on tailstock end. Loosen one side set screw while tightening the other until the amount of off-set is indicated on scale. Tighten lock screw.

## 5. TECHNICAL DATA

### CAPACITIES

Swing Over Bed	210mm
Swing Over Cross Slide	110mm
Distance Between Centers	400mm
Width of Bed	100mm

### HEADSTOCK

Hole Through Spindle	21mm
Taper in Spindle Nose	MT3
Number of Spindle Speeds	Variable
Range of Spindle Speeds	50-2500RPM

### FEEDING AND THREADING

Number of Metric Threads	10
Range of Metric Thread	0-5~3.0mm
Number of Imperial Threads	8
Range of Imperial Thread	8~44 T.P.I.
Range of Longitudinal Feed	0.1~0.2mm

### COMPOUND AND CARRIAGE

Tool Post Type	4-Way
Maximum Compound Slide Travel	85mm
Maximum Cross Slide Travel	80mm
Maximum Carriage Travel	290mm

### TAILSTOCK

Tailstock Spindle Travel	55mm
Taper in Tailstock Spindle	MT2

### GENERAL

Main Motor	600W
Voltage/Frequ.	230V/1Ph/50Hz
Length	930mm
Width	390mm
Height	370mm
Weight	65kg

Technical Changes in the frame of product development preserved.



## 6. OPERATION

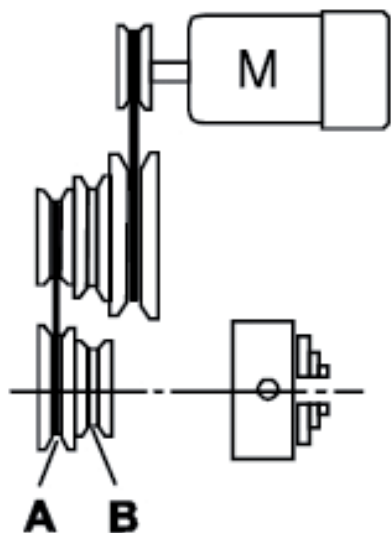
### REPLACEMENT OF CHUCK

The head spring holding fixture is cylindrical. Loosen three set screws A and nuts (See Figure 14 - only two are visible on the picture).

Position the new chuck and fix it using the same set screws and nuts.

### CHANGE SPEED

1. See Figure 16  
Unscrew the two fastening screws B and remove the protective cover.
2. See Figure 17  
Adjust the V-belt C to the corresponding position.



SPINDLE SPEED  /min

A	B
50-1250	100-2500

There are two V-belt positions:

Pos. A (outer pulleys) for lower speed range.

Pos. B (inner pulleys) for higher speed range.

3. Tighten the tension pulley and fasten the nut again.

### TOOL SET-UP

Clamping the turning tool into the tool-holder.

The tool must be clamped firmly. When turning, the tool has a tendency to bend under the cutting force generated during the chip formation. For best results, tool overhang should be kept to a minimum of 3/8" (~ 9mm) or less.

The cutting angle is correct when the cutting edge is in line with the center axis of the workpiece. The correct height of the tool can be achieved by comparing the tool point with the point of the center mounted in the tailstock. If necessary, use steel spacer shims under the tool to get the required height (see Figure 15).

### MANUAL TURNING

See. Figure 19

Apron travel, cross travel and top slide handwheel can be operated for longitudinal or cross feeding.

### LONGITUDINAL TURNING WITH AUTO-FEED

See. Figure 18

Use the table A on the lathe for selecting the feed speed or the thread pitch. Adjust the change gear if the required feed or thread pitch cannot be obtained with the installed gear set.

1. Disconnect the machine from the power source.
2. Unscrew the two fastening screws and remove the protective cover.

## CHANGE GEARS REPLACEMENT

See Figure 20:

3. Loosen the locking screw B on the quadrant.
4. Swing the quadrant C to the right.
5. Unscrew the nut D from the leadscrew or the nuts E from the quadrant bolts in order to remove the change gears from the front.
6. Install the gear couples according to the thread and feed table (Fig. 21 and 22) and screw the gearwheels onto the quadrant again.
7. Swing the quadrant to the left until the gearwheels have engaged again.
8. Readjust gear backlash by inserting a normal sheet of paper as an adjusting or distance aid between the gearwheels.
9. Immobilize the quadrant with the locking screw.
10. Install the protective cover of the headstock and reconnect the machine to the power supply.

## STRAIGHT TURNING - Fig. 39

In the straight turning operation, the tool feeds parallel to the axis of rotation of the workpiece. The feed can be either manual by turning the handwheel on the lathe saddle or the top slide, or by activating the automatic feed. The crossfeed for the depth of cut is achieved using the cross slide.

## FACING AND RECESSES - FIG. 41

In the facing operation, the tool feeds perpendicular to the axis of the workpiece. The feed is made manually with the cross slide handwheel. The crossfeed for cut depth is made with the top slide or lathe saddle.

## TURNING BETWEEN CENTERS - FIG. 40

For turning between centers, it is necessary to remove the chuck from the spindle. Fit the MT3 center into the spindle nose and the MT2 center into the tailstock. Mount the workpiece fitted with the driver dog between the centers. The driver is driven by a catch or a face plate.

Note: Always use a small amount of grease on the tailstock center to prevent center tip form overheating.

## TAPER TURNING USING TAILSTOCK OFF-SET

Work to a side angle of 5 can be turned by off-setting the tailstock. The angle depends on the length of the workpiece.

See Figure 7:

To off-set the tailstock, loosen locking screw A. Unscrew the set screw B on the right end of the tailstock. Loosen the front adjusting screw C and take up the same amount by tightening the rear adjusting screw D until the desired taper has been reached. The desired cross-adjustment can be read off the scale E. First retighten the set screw B and then the two (front and rear) adjusting screw to lock the tailstock in position. Retighten the locking screw A of the tailstock. The workpiece must be held between to centers and driven by a face plate and driver dog.

After taper turning, the tailstock should be returned to its original position according to the zero position on the scale E of the tailstock.

## THREAD CUTTING - FIG. 42

Set the machine up to the desired thread pitch (according to the threading chart). Start the machine and engage the half nut. When the tool reaches the part, it will cut the initial threading pass. When the tool reaches the end of the cut, stop the machine by turning the motor off and at the same time back the tool out of the part so that it clears the thread. Do not disengage the half nut lever. Reverse the motor direction to allow the cutting tool to traverse back to the starting point. Repeat these steps until you have obtained the desired results.



## 7. LATHE ACCESSORIES

### THREE JAW UNIVERSAL CHUCK

See Figure 26

Using this universal chuck you can clamp round, triangular, square, hexagonal, octagonal and dodekonal cornered workpieces.#



#### NOTE

New lathes have very tight fitting jaws. This is necessary to ensure accurate clamping and long service life. With repeated opening and closing, the jaw adjusts automatically and their operation becomes progressively smoother.

For the original 3-jaw chuck being mounted on the lathe, the factory has mounted the chuck in the best way to guarantee the holding accuracy with two „0“ mark, see A, Fig. 26, showed on the chuck and chuck flange.

There are two types of jaws: Internal and external jaws. Please note that the number of jaws fit with the number inside the chuck`s groove. Do not mix them together. When you are going to mount them, please mount them in ascending order 1-2-3, when you are going to take them out, be sure to take them out in descending order 3-2-1, one by one. after you finished this procedure, rotate the jaws to the smallest diameter and check that the three jaws are well fitted.

### FOUR JAW INDEPENDENT LATHE CHUCK

See Figure 27:

This special chuck has four independently adjustable chuck jaws. These permit the holding of asymmetrical pieces and enable the accurate set-up of cylindrical pieces.

### DRILL CHUCK (OPTIONAL)

Use the drill chuck (B, Figure 28) to hold centering drills and twist drills in the tailstock.

### MORSE TAPER ARBOR (OPTIONAL)

See Figure 28, C

An arbor is necessary for mounting the drill chuck in the tailstock. It has a No. 2 morse taper.

### LIVE CENTER (OPTIONAL)

See Figure 29:

the live center D is mounted in ball bearings. Its use is highly recommended for turning at speeds in excess of 600rpm.

### STEADY REST

See Figure 30:

The steady rest serves as a support for shafts on the free tailstock end. For many operations the tailstock can not be used as it obstructs the turning tool or drilling tool, and therefore, must be removed from the machine. The steady rest, which functions as an end support, ensures chatter-free operation. The steady rest is mounted on the bedways and is secured from below with a locking plate. The sliding fingers require continuous lubrication at the contact points to prevent premature wear.

Setting the Steady rest

- Loosen the three hex nuts A
- Loosen the knurled screw B and open the sliding fingers C until the steady rest can be moved with its finger around the workpiece. Secure the steady rest in position.
- Tighten the knurled screws so that fingers are snug but not tight against the workpiece. Tighten the three nuts A. Lubricate the sliding points with machine oil.
- When, after prolonged operation, the jaw shows wear, the tips of the fingers may be filed or remilled.

### FOLLOW REST

The follow rest is mounted on the saddle and follows the movement of the tool. Only two sliding fingers are required. The place of the third finger is taken by the turning tool. The follow rest is used for



turning operations on long, slender workpieces. It prevents flexing of the workpiece under pressure from the turning tool. Set the finger snug to the workpiece but not overly tight - See Fig. 31. Lubricate the fingers during operation to prevent premature wear.

## 8. MAINTENANCE

### **!** WARNING

Never attempt to perform any maintenance, checks, repairs etc. whilst machine is turned on.  
Disconnect the machine from the power supply prior to any activities.

After a period of time, wear in some of the moving components will occur. This requires adjustment of those components.

### MAIN SPINDLE BEARINGS

The main spindle bearings are adjusted at the factory. If end play becomes evident after considerable use, the bearings should be adjusted.

See Figure 32:

Fasten the slotted nut A on the back of the spindle, loosen the outer slotted nut B. Adjust the slotted nut A until all end play is taken up. The spindle should still revolve freely. Fasten the slotted nut A again and tighten the outer slotted nut B.

CAUTION: excessive tightening or pre-loading will damage the bearings!

### ADJUSTMENT OF CROSS SLIDE

See Figure 33:

The cross slide is fitted with a gib strip C and can be adjusted with screws D fitted with lock nuts E. Loosen the lock nuts and tighten the set screws until the slide moves freely without play.

Tighten lock nuts to retain the adjustment.

### ADJUSTMENT OF TOP SLIDE

See Figure 34:

The top slide is fitted with a gib strip F and can be adjusted with screws G fitted with lock nuts H. Loosen the lock nuts and tighten the set screws until the slide moves freely without play.

Tighten the lock nuts H to retain this adjustment.

### ADJUSTMENT OF HALF NUT GUIDE

See Figure 35:

The half nut engagement can be adjusted with screws I fitted with lock nuts J.

See Figure 35:

The half nut engagement can be adjusted with screws I fitted with lock nuts J. Loosen the nuts on the right side of the apron and adjust the control screws until both half nuts move freely without play. Tighten the nut.

### LUBRICATION

**LATHE MUST BE SERVICED AT ALL LUBRICATION POINTS AND ALL RESERVOIRS FILLED UP TO OPERATING LEVEL BEFORE THE LATHE IS PLACED INTO SERVICE! FAILURE TO COMPLY MAY CAUSE SERIOUS DAMAGE!**

1. Carriage - See Figure 36

Lubricate the four oil ports A with 20W machine oil once a day

2. Cross slide - See Figure 36

Lubricate the two oil ports B with 20W machine oil once per day.

3. Leadscrew - See Figure 37

Lubricate the left oil port C and the right oil port D with 20W machine oil once per day.

### CLEANING

Do not remove the metal chips with your bare hand. There is a risk of cutting injury due to sharp edged chips.

Never use flammable solvents or cleaning agents that generate noxious fumes! protect electrical components such as motors, switches, boxes etc. against humidity when cleaning.

After operation, clean all chips and clean the machine, apply tool oil to prevent rusting.

In order to maintain the machining accuracy, take care of the center, the surface of the machine tool for the chuck and the guide way and avoid mechanical damage and the wear due to improper guide.

**REPAIR WORK MAY ONLY BE CARRIED BY QUALIFIED PERSONNEL ONLY;**

## 9. TROUBLESHOOTING

PROBLEM	CAUSE	SOLUTION
Surface of workpiece is too rough	Tool blunt Tool springs  feed rate too high radius at the tool tip too small	resharpen the tool Clamp tool with less overhang. Reduce feeding rate Increase the radius
Workpiece becomes coned	Centers are not aligned (tailstock has offset) Top slide not aligned well (cutting with the top slide)	Adjust the tailstock to the center Align top slide well
Lathe is chattering	Feeding speed is too high Slack in machine bearing	Reduce Feeding speed Adjust the main bearing
Center runs hot	Workpiece has expanded	Loosen tailstock center
Tool has a short edge life	Cutting speed too high Crossfeed too high Insufficient cooling	Reduce cutting speed Lower crossfeed (finishing allowance should not exceed 0.5mm)
Flank wear too high	Clearance angle too small Tool tip not adjusted to center high	Increase clearance angle Correct height adjustment of the tool
Cutting edge breaks off	Wedge angle too small (heat build-up) Grinding crack due to wrong cooling Excessive slack in the spindle bearing Arrangement (vibrations)	Increase wedge angle  Cool uniformly  Adjust the slack in the spindle bearing arrangement
Cut thread is wrong	Tool is clamped incorrectly or has been started grinding the wrong way Wrong pitch Wrong diameter	Adjust tool to the center Grind angle correct  Adjust the right pitch Turn the workpiece to the correct diameter
Spindel does not activate	Emergency stop switch activated	Unlock/release the emergency stop switch





# 1. SICHERHEITSHINWEISE

## LESEN SIE DIE BEDIENUNGSANLEITUNG DURCH

Machen Sie sich mit den Funktionen und den spezifischen Gefahrenquellen der Maschine vertraut.

## BEUGEN SIE GEFÄHRLICHEN SITUATIONEN VOR

Sorgen Sie für eine saubere, trockene, aufgeräumte und gut beleuchtete Arbeitsumgebung. Bedienen Sie die Maschine nie bei rutschigem, nassen Boden. Lassen Sie keine Werkzeuge oder sonstige Gegenstände im Arbeitsbereich herumliegen - Stolpergefahr! Setzen Sie die Maschine nie Regen, Spritznässe oder Wasserdämpfen aus. Betreiben Sie die Maschine nicht in feuer- oder explosionsgefährlicher Arbeitsumgebung.

## UNBEFUGTE VON DER MASCHINE FERNHALTEN

Halten Sie Unbefugte, insbesondere Kinder, von der laufenden Maschine fern! Die Maschine darf nur durch Personen ab 18 mit der notwendigen fachlichen Eignung betrieben werden. Sorgen Sie dafür, dass Ihre Werkstatt kindersicher gestaltet ist.

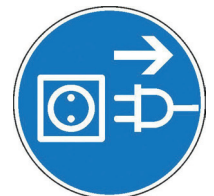
## SCHUTZBEKLEIDUNG

Während dem Arbeitsprozess können Holzpartikel von der Maschine ins Auge geschleudert werden. Daher: Tragen Sie immer zertifizierte Schutzbrillen. Gewöhnliche Brillen können insbesondere bei größeren Holzsplitter nicht ausreichenden Schutz bieten. Abhängig von der Beschaffenheit des Arbeitsplatzes sowie dem Umfang anderer Geräuschquellen in der Arbeitsumgebung kann sich insgesamt ein hoher Geräuschpegel entwickeln. In diesem Falle empfehlen wir Ihnen Ihrer Gesundheit zuliebe einen ausreichenden Gehörschutz zu tragen.

## ELECTRIC CONNECTION

Vergewissern Sie sich, dass das Speisestromnetz den Anforderungen des Motors entspricht- Angaben hierzu entnehmen Sie bitte dem Typenschild, technischen Daten bzw. Motorplakette. Elektrische Prüfungen der Maschine dürfen nur durch einen qualifizierten Elektriker erfolgen. Berühren von leitenden Maschinenteilen verboten - LEBENSGEFAHR.

Vor jeder Tätigkeit wie Wartung, Reinigung etc. muss die Maschine ausgeschaltet und von der Stromversorgung getrennt werden, um unbeabsichtigtes Einschalten der Maschine zu verhindern.



**ÜBERLASTEN SIE DIE MASCHINE NICHT**

Sie erreichen bessere Ergebnisse, wenn Sie die Maschine im Rahmen ihrer Leistungsmöglichkeit nutzen.

Die Überbeanspruchung der Maschine verkürzt die Lebenszeit sowie stellt ein Sicherheitsrisiko dar.

**ACHTEN SIE STETS AUF SICHEREN STAND**

Übergreifen Sie nicht mit den Armen.

**HALTEN SIE WERKZEUGE STETS SCHARF**

Defekte oder stumpfe Werkzeuge stellen ein Sicherheitsrisiko dar.

**SICHERHEITSSZEICHEN, SICHERHEITSEINRICHTUNGEN**

Beachten Sie die Sicherheitshinweise und -zeichen auf der Maschine. Beschädigte oder unleserliche Sicherheitsaufkleber sind umgehend zu ersetzen.

Prüfen Sie vor jeder Inbetriebnahme den Zustand der Sicherheitseinrichtungen. Defekte Sicherheitseinrichtungen sind umgehend zu ersetzen

**MASCHINE NIE UNBEAUF SICHTIGT LAUFEN LASSEN**

Bevor Sie den Arbeitsbereich verlassen, schalten Sie die Maschine ab und warten Sie, bis sie still steht.

**NICHT BENUTZTES WERKZEUG**

Machen Sie es sich zur Gewohnheit, nicht benutztes Werkzeug von der Maschine zu entfernen.



## 2. BESONDERE REGELN

### VERWENDUNGSGEBIET

Diese Metalldrehbank ist vorgesehen zum Bearbeiten von Metall und Plastik durch Spanabtrag.  
Die Bearbeitung anderer Materialien ist verboten.

**Bearbeiten Sie nie Magnesium - Brandgefahr!**

### BESONDERE VORSCHRIFTEN FÜR METALLDREHBÄNKE

Abgesehen von den Informationen in diesem Handbuch und den einschlägigen Arbeitssicherheitsvorschriften in Ihrem Land müssen Sie die allgemein gültigen Bedien- und Sicherheitsregeln, die bei der Arbeit mit einer Metalldrehbank vorgeschrieben sind, verstehen und beherrschen (durch Ausbildung und Praxis).

Tragen Sie beim Arbeiten mit Metalldrehbänken keine Handschuhe. Diese könnten sich in rotierenden Teilen verfangen und zu schweren Verletzungen führen.

Halten Sie bei der Arbeit die technischen Grenzen wie max. Durchmesser etc. ein.

Prüfen Sie stets vor der Arbeit, ob Werkzeughalter etc. ordentlich fixiert sind.

Spannen Sie nur Werkstücke in Spannfutter ein, die von  $\emptyset$  her dafür geeignet sind.

Bearbeiten Sie fliegend, d.h. ohne Reitstockunterstützung lediglich kurze Werkstücke.

Wenn das Werkstück 3-mal länger ist, als der Durchmesser des Werkstückes, sollte das Werkstück auf jeden Fall mit dem Reitstock zusätzlich gesichert werden.

Vermeiden Sie die Kombination von geringem Einspanndurchmessern mit großen Bearbeitungsdurchmessern.

Vermeiden Sie bestmöglich kurze Einspannsegmente.

Seien Sie sich stets den technischen Grenzen Ihrer Werkzeuge und Spannmittel bewußt. Insbesondere sollten Sie NIE irgendein Werkzeug bei Drehzahlen benutzen, für die es nicht zugelassen ist!

Gewindeschneiden sowie das Bearbeiten von unwuchten Objekten sollte generell bei sehr niedrigen Drehzahlen durchgeführt werden.

## ARBEITSPLATZBEDINGUNGEN

Der Arbeitsplatz muss:

über ausreichende Beleuchtung verfügen.

einen geraden, ebenen, Boden aufweisen mit minimalen Vibrationswerten (z.B. Beton). Die Maschine sollte auf einer soliden Arbeitsfläche montiert werden, welche ebenfalls eben, gerade und vibrationsarm ist (z.B. massive Werkbank)

Sorgen Sie für ausreichend Platz rund um die Maschine

Sorgen Sie für einen passenden elektrischen Anschluss

Maximalwerte Arbeitsumgebung:  
Luftfeuchtigkeit max. 90% bei max. 25°C  
Seehöhe: max. 1000m

Betrieb im Freien verboten. Betrieb in Arbeitsumgebung mit Brand- oder Explosionsgefahr verboten!

## RESTRISIKEN

Trotz bestimmungsmäßiger Verwendung können bestimmte Restrisikofaktoren nicht vollständig ausgeräumt werden. Bedingt durch Konstruktion und Aufbau der Maschinen können unter anderem folgende Punkte auftreten:

Schweres Verletzungsrisiko durch Kontakt mit dem rotierenden Werkstück, bzw. durch Einklemmen, Einziehen durch rotierende Maschinenteile.

Schnittverletzung durch scharfe Werkstückkanten bzw. durch Metallspäne.

Verletzungen des Auges durch Metallspäne. Tragen Sie daher eine Schutzbrille.

Lebensgefahr - bei Kontakt mit Elektrokomponenten v.a. bei defektem Sicherungsschalter des Stromnetzes.

Sie können diese Risiken weitestgehend minimieren durch stete Achtsamkeit und Einhaltung aller Vorschriften zu Inbetriebnahme, Betrieb, sowie Wartung.

## UNSACHGEMÄSSE BENUTZUNG

Die Maschine darf nurnach Ihrer Bestimmung verwendet werden. Jede weiter darüber hinausgehende Verwendung ist nicht bestimmungsgemäß.

Für daraus hervorgehende Schäden oder Verletzungen aller Art haftet der Benutzer bzw. Bediener und nicht der Hersteller. Bestandteil der bestimmungsgemäßen Verwendung ist auch die Beachtung der Sicherheitshinweise sowie die Montageanleitung und Betriebshinweise in der Bedienungsanleitung.

Personen, die Maschine bedienen und warten, müssen mit dieser vertraut und über mögliche Gefahren unterrichtet werden. Darüber hinaus sind die gelten Unfallverhütungsvorschriften genauestens einzuhalten.

Sonstige allgemeine Regeln in arbeitsmedizinischen und sicherheitstechnischen Bereichen sind zu beachten.

Veränderungen an der Maschine schließen eine Haftung des Herstellers und daraus entstehende Schäden gänzlich aus.

### 3. INBETRIEBNAHME

#### **!** ATTENTION

Machen Sie sich vor der Erstinbetriebnahme mit den Sicherheitsvorschriften vertraut und befolgen Sie die Anweisungen in diesem Kapitel. Nichtbeachtung kann zu Maschinenschäden führen bis hin zu schweren Verletzungen.

Entfernen Sie die Verpackung

#### LIEFERUMFANG

Prüfen Sie den Verpackungsinhalt auf Vollständigkeit

ED 400FD Metalldrehbank  
Bedienungsanleitung  
WERKzeugbox

Inhalt der Werkzeugbox

Siehe Abbildung 2

- 1 Zentrierspitze MK3
- 1 Zentrierspitze MK2
- 3 Aussenbacken
- 1 Ölpistole
- 1 Kreuzschraubenzieher
- 1 Schlitzschraubenzieher
- 1 Backenfutterschüssel
- 5 Inbusschlüssel
- 3 Gabelschlüssel
- 1 Wechselgetrieberad

#### ARBEITSPLATZ VORBEREITEN

Passender elektrischer Anschluss an ein Stromnetz mit Einphasenstrom 230V /50 Hz und ausreichender Sicherung. Lassen Sie den elektrischen Anschluss von einem qualifizierten Elektriker prüfen, insbesondere bzgl. Sicherung in Ampere sowie Erdung. Schrauben Sie die Maschine von der Bodenplatte los und heben Sie sie diese mit einer geeigneten Einrichtung.

Alternativ kann die Maschine von 2 Personen gehoben werden.

Um ein Verziehen des Maschinenbettes zu vermeiden, muss der Untergrund der Maschine absolut eben sein.

Wir empfehlen, die Maschine am Arbeitsplatz durch die Bohrungen im Maschinenfuß zu fixieren.

Abbildung 1 zeigt die Abstände der vorzubereitenden Bohrungen.

Der Untergrund muss die Last der Maschine tragen können und vibrationsarm sein.

Vor jeglicher Reinigung oder Montage: Netstecker ziehen!

Reinigen Sie alle blanken Flächen mit einem MILDEN handelsüblichen Reinigungsmittel vom Korrosionsschutz.

Verwenden Sie keinesfalls Benzin oder Farb.-Lösungsmittel - diese beschädigen die lackierten Maschinenteile.

Bedecken Sie die gereinigten, trockenen Flächen abschließend mit einer dünnen Schicht 20W Maschinenöl.

Entfernen Sie die Getriebeabdeckung (siehe Abb. 16). Reinigen Sie auch hier alle Komponenten vom Rostschutzfilm und schmieren Sie alle Getriebekomponenten mit handelsüblichem Getriebe-fett.

Abschließend ölen Sie die Maschine an allen Gleitflächen und füllen das Ölreservoir auf.

Weitere Anweisungen zu Ölen und Schmieren der Maschine finden Sie im Abschnitt Wartung

Bevor Sie die Maschine einschalten, prüfen Sie, dass

alles richtig montiert ist und bewegliche Teile leichtgängig sind.

Die Schutzabdeckung für das Backenfutter heruntergeklappt ist.

Alle rotierenden Teile frei laufen können.



## 4. MASCHINENAUFBAU

Die ED 400FD ist eine hochwertige Metalldrehbank, zum Längs und Plandrehen sowie zum Gewindedrehen von runden oder geformten Werkstücken aus Metall und Plastik.

### MASCHINENBETT - ABB. 3

Das Maschinenbett besteht aus Qualitätsstahl. Es beinhaltet den Spindelstock und die Antriebseinheit.

Die 2 präzisionsgeschliffenen V-Führungen bestehen aus hochtemperaturgehärtetem Stahl und sorgen somit für einen exakten Lauf für Schlitten und Reitstock.

### SPINDELSTOCK - Abb. 4

Der Spindelstock besteht aus hochwertigem Stahlguss und ist mit 4 Schrauben zum Maschinenbett befestigt.

Im Spindelstock befinden sich u.a. die Hauptspindel, 2 Präzisionskegelrollenlager und die Antriebseinheit.

### PLANSCHLITTEN - ABB. 5

Der Planschlitten besteht aus hochwertigem Gusseisen. Die Laufflächen sind präzisionsgeschliffen.

Auf dem Planschlitten liegt der Oberschlitten auf. Der Planschlitten wird durch eine Schwalbenschwanzführung präzise geführt, kann jedoch angepaßt werden.

Der Planschlitten wird mittels Handrad bewegt. Ein 4-fach Werkzeughalter ist auf dem Oberschlitten befestigt und ermöglicht die Montage von mehreren Drehmeisseln. Lösen Sie den mittleren Klemmhebel um den Werkzeughalter zu rotieren und eines der Meissel in Position zu bringen..

### LÄNGSSCHLITTEN FIG. 6

Läuft auf Maschinenbett und ist mit dem Schlosskasten verbunden. Die Leitspindel und Schlossmutter laufen durch.

Im Schlosskasten befindet sich die Schlossmutter für Gewindeschneiden. Diese kann von aussen verstellt werden.

### LEITSPINDEL- ABB. 8

Die Leitspindel A ist mit dem Getriebe verbunden und ermöglicht das Gewindedrehen. Die Sechskantmutter B am rechten Ende dient dazu, Längsspiel der Spindel zu justieren.

### REITSTOCK- FIG. 9

Der Reitstock liegt auf den V Führungen auf und kann verschoben werden. Der Reitstock verfügt über eine Pinole mit MK2 Aufnahme. Die Pinole kann mittels Handrad herausgefahren werden und in jeder beliebigen Position fixiert werden.

Die Sicherungsschraube C am Ende der Metalldrehbank sollte in Position sein, um das versehentliche Herunterfallen des Reitstockes bei Verschieben des Reitstockes nach hinten zu verhindern.

### EIN- AUSSCHALTER

Siehe Abbildung 10, Nummer D.

Drücken um Maschine zu stoppen. Zum Einschalten der Maschine drücken Sie den grünen Knopf.

### SCHALTER SPINDELDREHRICHTUNG

Siehe Abbildung 10, Nummer E. Nachdem die Maschine eingeschaltet wurde, bringen Sie den Schalter in die Position „F“ für Spindelbetrieb gegen den Uhrzeigersinn und in die Position „R“ für Spindelbetrieb im Uhrzeigersinn.

### VARIABLER DREHZAHLEGLER

Siehe Abbildung 10, Nummer F. Durch drehen des Drehzahlreglers im Uhrzeigersinn erhöhen Sie die Spindeldrehzahl. Die konkrete Drehzahlintervalle hängen von der gewählten Position des Antriebsriemens ab.

### EINSTELLSCHRAUBEN - Fig. 11

Drehen Sie den Sechskantschrauben A im Uhrzeigersinn um festzuziehen und gegen den Uhrzeigersinn um Schlitten zu lösen.

ACHTUNG: Vor Automatischem Vorschub muss der Schrauben gelockert sein, ansonsten beschädigen Sie die Maschine!

### HANDRAD LÄNGSVORSCHUB

Siehe Abbildung 12, Nummer B. Drehen Sie das Handrad im UZS für Borschub Richtung Reitstock, gegen den UZS für Vorschub Richtung Reitstock.

### DREHHEBEL PLANVORSCHUB

Siehe Abbildung 12, Nummer C. Drehung im UZS bewegt den Planschlitten nach hinten.

### SCHLOSSMUTTEREINRASTHEBEL

Siehe Abbildung 12, Nummer D. Hebel nach unten zum Einrasten, Hebel nach oben zum Lösen.

### OBERSCHLITTEN

Siehe Abbildung 12, mit Handkurbel E können Sie den Oberschlitten bewegen.

### FIXIERHEBEL 4- FACH WERKZEUGHALTER

Der 4-fach Werkzeughalter wird mit dem Hebel F (Abb. 12) fixiert und gelockert

### REITSTOCKFIXIERUNG

Siehe Abb. 13, G. Sicherungsmutter im UZS drehen um Reitstock vom Maschinenbett zu lockern.

### FIXIERHEBEL REITSTOCKPINOLE

Siehe Abb. 13, H

Die Pinole sollte bei Verwendung des Reitstockes stets fixiert sein!

### HANDRAD FÜR PINOLENVERSTELLUNG

Siehe Abb. 13, I

gegen UZS bewegt Pinole Richtung Reitstock, im UZS bewegt Pinole Richtung Spindelstock.

### KEGELDREHEINSTELLUNG

Abb. 13, Nummer J

Die mittlere Stellschrauben J muss gelockert werden. Nun muss eine äußere Stellschraube J gelockert, die gegenüberliegende fester angezogen werden, um den Reitstock in die betreffende Richtung aus dem Zentrum zu bewegen.

# 5. TECHNISCHE DATEN

## KAPAZITÄT

max. Drehdurchmesser über Maschinenbett	210mm
max. Drehdurchmesser über Support	110mm
Distanz zwischen Spitzen	400mm
Maschinenbettbreite	100mm

## SPINDELSTOCK

Spindelbohrung	21mm
Spindelaufnahme	MK3
Drehzahl	Variabel
Drehzahlintervall	50-2500 U/Min

## GEWINDE

Anzahl metrische Gewindesteigungen	10
Gewindesteigungsbereich	0-5~3.0mm
Anzahl Gewindesteigungen in Zoll	8
Gewindesteigungsbereich	8~44 T.P.I.
Längsgewindebereich	0.1~0.2mm

## SCHLITTEN

Werkzeughalter	4-Fach
Verfahrweg Oberschlitten	85mm
Verfahrweg Planschlitten	80mm
Verfahrweg Längsschlitten	290mm

## REITSTOCK

Pinolenhub	55mm
Pinolenaufnahme	MK2

## ALLGEMEIN

Motorabgabeleistung Dauerbetrieb S1	600W
Aufnahme	230V/1Ph/50Hz
Länge	930mm
Breite	390mm
Höhe	370mm
Gewicht	65kg

Die tatsächliche Abgabeleistung kann je nach Betriebsintervall beträchtlich höher sein. Technische Änderungen vorbehalten.

# 6. BETRIEB

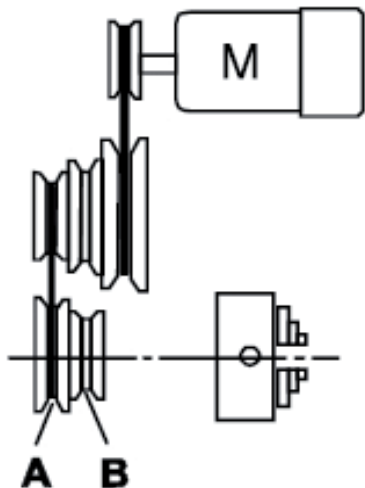
## FUTTER INSTALLIEREN

Lösen Sie die drei Stellschrauben & -mutter (siehe Abb. 14 - nur 2 auf Abb. sichtbar) Montieren Sie das Futter mit diesen. Fest anziehen!

## DREHZAHLWECHSEL

Die ED 400FD kann innerhalb 2 Drehzahlbereichen betrieben werden. Um den Drehzahlbetriebsbereich zu wechseln, muss der Antriebsriemen umgelegt werden.

1. Siehe Abbildung 16  
Lösen und entfernen Sie die zwei Griffkopfschrauben B und entfernen Sie die Getriebeabdeckung.
2. Siehe Abb. 17 - Riemen C lösen  
Legen Sie den Keilriemen C auf die entsprechenden Riemenscheiben.



SPINDLE SPEED  /min

A	B
50-1250	100-2500

Es gibt 2 Positionen (siehe Abbildung oben)

- Pos. A (äußere Riemenscheiben) für niedrigeren Drehzahlbereich.  
Pos. B (innere Riemenscheiben) für hohen Drehzahlbereich.
3. Nach Wechsel Riemen spannen und Abdeckung wieder montieren.

## WERKZEUG EINSpanNEN

Das Werkzeug muss fest eingespannt werden. Während dem Drehvorgang hat das Werkzeug die Tendenz sich vom Werkstück wegzubiegen. Daher sollte der Werkzeugüberhang über den Werkzeughalter 3/8" (~ 9mm) nicht übersteigen.

Der Schnittwinkel ist korrekt wenn die Schnittkante in Linie ist mit der Zentralachse des Werkstückes. Die korrekte Höhe des Werkzeuges kann erreicht werden, indem man die Werkzeugspitze mit der Rollkörnerspitze im Reitstock vergleicht. Wenn nötig, muss das Werkzeug mit Parallelunterlagen angepasst werden. (Bei Holzmann erhältlich unter Artikelnummer PU7TLG95 und PU7TLG150) siehe Abb. 15.

## MANUELLES DREHEN

Siehe Abbildung 19

Werkstücke können über Querschlitzen, Planschlitzen und Oberschlitzen für manuelles Drehen mittels Handrad manuell zugestellt werden.

## LÄNGSDREHEN MIT AUTO-VORSCHUB

Siehe Abbildung 18

Konsultieren Sie die Tabelle A um die gewünschte Vorschubgeschwindigkeit bzw. Geschwindigkeit auszuwählen und einzustellen. Gegebenfalls müssen Wechselgetrieberäder installiert werden. Die Kombination der Räder ist in der Tabelle (A-D) angegeben.

## WECHSELRÄDER WECHSELN

1. Trennen Sie die Maschine von der Stromversorgung.
2. Siehe Abbildung 16  
Lösen und entfernen Sie die zwei Griffkopfschrauben B und entfernen Sie die Getriebeabdeckung.

Siehe Abbildung 20:

3. Lösen Sie die Schraube B
4. Schwingen Sie C nach rechts
5. Lösen und entfernen Sie die Mutter D bzw. E. Nun können Sie das entsprechende Getrieberad abnehmen
6. Installieren Sie das entsprechende Getrieberad (ersehen Sie aus Tabelle 21 und 22) und fixieren Sie es mit der entsprechenden Mutter D bzw. E.
7. Schwingen Sie C nach links bis die Räder einrasten.
8. Readjustieren Sie die Einheit sodass die Getriebe gut ineinander greifen.
9. Fixieren Sie die Einheit mit der Schraube B fest.
10. Montieren Sie die Abdeckung wieder auf das Getriebe

### LÄNGSDREHEN - Abb. 39

Beim Längsdrehen wird das Werkzeug parallel zur Drehachse des Werkstückes geführt.

Schnitttiefe mit Planschlitten  
Vorschub mit Längsschlitten

### PLANDREHEN - Abb. 41

Beim Plandrehen wird das Werkzeug rechtwinkelig zur Drehachse des Werkstückes geführt.

Der Vorschub erfolgt mittels Planschlitten, Schnitttiefe mit Oberschlitten.

### DREHEN MIT REITSTOCK - Abb. 40

Für längere Werkstücke sollte unter Zuhilfenahme des Reitstockes gedreht werden.

Bei Werkstücken, die von der Spannbacke nicht fixiert werden können, sollten Sie die Spannbacke abnehmen und das Werkstück bei Spindelstock mit Zentrierspitze sowie einem Drehherz fixieren. Tipp: Tragen Sie auf die Spitze der MK2 Zentrierspitze des Reitstockes etwas Fett auf um ein Überhitzen zu vermeiden

### KEGELDREHEN

Durch Querverschieben des Reitstockes können Kegel gedreht werden. Kegelmaße sind von der Länge des Werkstückrohlings abhängig.

Siehe Abbildung 7:

Um den Reitstock zu verstellen, lösen Sie die Feststellschraube A. Lösen Sie die Stellschraube B auf der rechten Seite des Reitstocks. Lockern Sie die Stellschraube C und ziehen Sie im gleichen Ausmaß die Stellschraube D nach.

Die Querverstellung des Reitstockes kann bei der Skala E abgelesen werden.

Wenn die Einstellung paßt, fixieren sie die Stellschraube B sowie dann C und D, abschließend A.

Beim Kegeldrehen MUSS das Werkstück zwingend auf Spindelstockseite mit Zentrierspitze und Drehherz und Reitstockseite mit Zentrierspitze eingespannt werden

Bitte beachten sämtliche Arbeitsvorschriften und Richtlinien zu Vorgehensweise bei Kegeldrehen.

### GEWINDEDREHEN- Abb. 42

Stellen Sie die Maschine gemäß den Anforderungen der Gewindesteigung laut Tabelle ein (Riemen sowie Getrieberäder). Starten Sie die Maschine und lassen Sie den Schlossmuttereinrasthebel einrasten.

Beachten Sie die allgemein gültigen Arbeits- und Verfahrensvorschriften für Gewindedrehen! Benutzen Sie geeignete hochwertige Wendeschneidplatten je nach gewünschtem Gewindeprofil.



## 7. ZUBEHÖR

### DREI BACKEN SPANNFUTTER

Siehe Abbildung 26

Mit dem Drei Backen Spannfutter können Sie Werkstücke mit rundem, dreieckigem, quadratischen, hexagonalen, oktagonalem und dodekonalen Querschnitt einspannen.



#### ACHTUNG

Neue Spannbacken haben sehr eng sitzende Backen. Dies dient der genaueren Spanntechnik und der langen Lebensdauer. Mit der Zeit werden die Backen etwas leichtgängiger.

Das mitgelieferte 3-Backenfutter ist auf der Drehbank montiert, fabriksseitig ausgerichtet.

Für das Backenfutter können Innen- und Aussenbacken verwendet werden. Achten Sie bei Montage und Demontage der Backen auf die korrekte Reihenfolge.

### VIER BACKEN FUTTER

Siehe Abbildung 27:

Dieses Futter hat vier unabhängig einstellbare Backen - somit können asymmetrische Werkstücke eingespannt werden.

Use the drill chuck (B, Figure 28) to hold centering drills and twist drills in the tailstock.

### BOHRFUTTER (OPTIONAL)

Es können mit der Drehbank optional auch z.B. Bohrfutter eingespannt werden um Bohrungen im Werkstück vorzunehmen.

### MK BOHRAUFNAHME (OPTIONAL)

Um das Bohrfutter in die MK Aufnahme zu platzieren benötigen Sie eine MK Bohraufnahme.

### MITLAUFSPITZE(OPTIONAL)

Siehe Abbildung 29:

Die mitlaufende Spitze D wird sehr empfohlen beim Drehen unter Zuhilfenahme des Reitstockes bei Drehgeschwindigkeiten über 600 U/min.

### FESTSTEHENDE LÜNETTE

Siehe Abbildung 30:

Dient als Stütze des Werkstückes. Wird v.a. verwendet, wenn der Einsatz einer Zentrierspitze beim Reitstock aus diversen Gründen nicht möglich ist. Die Lünette sorgt für erhöhte Drehpräzision und verhindert Versatz und Verbiegen des Werkstückes. Achten Sie darauf, dass die Flächen, auf denen das Werkstück aufliegt stets gut geschmiert sind.

Lünette einstellen

- Lösen Sie die drei Muttern A
- Loosen Sie die Schrauben B und stellen Sie die Lauffinger C so ein, dass diese leicht am Werkstück anliegen.
- Ziehen Sie die Finger mit den Schrauben B fest. Entfernen Sie das Werkstück, schmieren Sie die Kontaktflächen der Finger mit Maschinenöl. Ziehen Sie die drei Muttern A fest.
- Nach längerer Betriebszeit sollten die Kontaktflächen der Finger wieder plangefräst werden.

### MITLAUFLÜNETTE

Die Mitlauflünette ist auf dem Hauptschlitten befestigt und bewegt sich somit beim Längsdrehen mit dem Werkzeug mit. Bei der Mitlauflünette werden nur zwei Haltefinger benötigt, die dritte Seite nimmt das Werkzeug ein.

Die Mitlauflünette wird v.a. beim Längsdrehen von langen schlanken Werkstücken verwendet, um ein Durchbiegen oder Vibration des Werkstückes durch den Druck des Werkzeuges zu vermeiden.

Siehe Abbildung 31

## 8. WARTUNG

### ! WARNUNG

Keine Wartung, Reinigung, Prüfung etc. bei eingeschalteter Stromversorgung! Trennen Sie vorher die Maschine von der Stromversorgung!

Nach einer gewissen Betriebsdauer tritt ein Verschleiss bei den beweglichen Komponenten ein. Dieser muss durch Nachadjustierung ausgeglichen werden

### LAGER DER HAUPTSPINDEL

Die Lager der Hauptspindel sind fabriksseitig eingestellt. Wenn Ihnen nach beträchtlicher Betriebsdauer ein Spiel auffällt, gehören wahrscheinlich diese Lager nachjustiert! Siehe Abbildung 32:

Lösen Sie die Nutmutter B. Justieren Sie die Nutmutter A solange, bis Sie kein Spindel Spiel mehr feststellen können - Achtung die Spindel sollte jedoch noch frei drehbar sein! Ziehen Sie die Nutmutter A und B an.

ACHTUNG: Exzessives Anziehen schädigt die Lager!

### ADJUSTIERUNG LÄNGSSCHLITTEN

Siehe Abbildung 33:  
Der Längsschlitten läuft auf Führungsleisten C. Diese können mit Schrauben D nachgestellt werden. Dazu Sicherungsmuttern E lösen, Schrauben nachziehen bis Schlitten exakt aber noch frei läuft, Sicherungsmuttern nachziehen um Einstellung zu sichern.

### ADJUSTIERUNG OBERSCHLITTEN

Siehe Abbildung 34:  
Der Oberschlitten läuft auf Führungsleisten F, diese können ebenfalls mit den Schrauben G gesichert durch Sicherungsmuttern H nachjustiert werden.  
Vorgehensweise wie bei Querschlitten.

### ADJUSTIERUNG SCHLOSSMUTTER

Siehe Abbildung 35:  
Der Einrastpunkt der Schlossmutter kann mit den Schrauben I und Muttern J nachjustiert werden.

### SCHMIERUNG

DIE METALLDREHBANK MUSS REGELMÄSSIG AN ALLEN SCHMIERPUNKTEN UND SCHMIERNIPPELN GESCHMIERT WERDEN, DAS GETRIEBE MUSS STETS GUT GEFETTET SEIN! Mangelnde Schmierung führt zu schweren Maschinenschäden für die der Benutzer alleine verantwortlich ist!

#### 1. Siehe Abbildung 36

Schmieren Sie TÄGLICH alle vier Punkte A mit 20W Maschinenöl

Schmieren Sie auch den Querschlitten über Schmierpunkte B mit 20W Maschinenöl mindestens 1x täglich.

#### 2. Leitspindel - Siehe Abbildung 37

Ölen Sie die Leitspindel über den Schmierpunkt C sowie bei weiteren Schmierpunkten mit 20W Maschineöl 1x täglich.

3. Prüfen Sie regelmäßig die Ausreichende Fettung des Getriebes mit Getriebefett! Ggf. nachfetten! Achten Sie darauf, dass der Riemen nicht fettig wird.

### REINIGUNG

Entfernen Sie Metallspäne nie per Hand. Verletzungsgefahr! Benutzen Sie dazu einen Spänehook oder Spänebesen. Benutzen Sie nie ätzende, leicht entzündliche oder aggressive Flüssigkeiten zur Reinigung der Maschine! Schützen Sie elektrische Komponenten vor jeglicher Feuchtigkeit! Daher Vorsicht bei der Reinigung der Bedienkonsole!

Nach dem Betrieb sollten alle Metallspäne entfernt, alle Flächen gereinigt und alle Metallflächen mit einer dünnen Schicht Maschinenöl versehen werden.

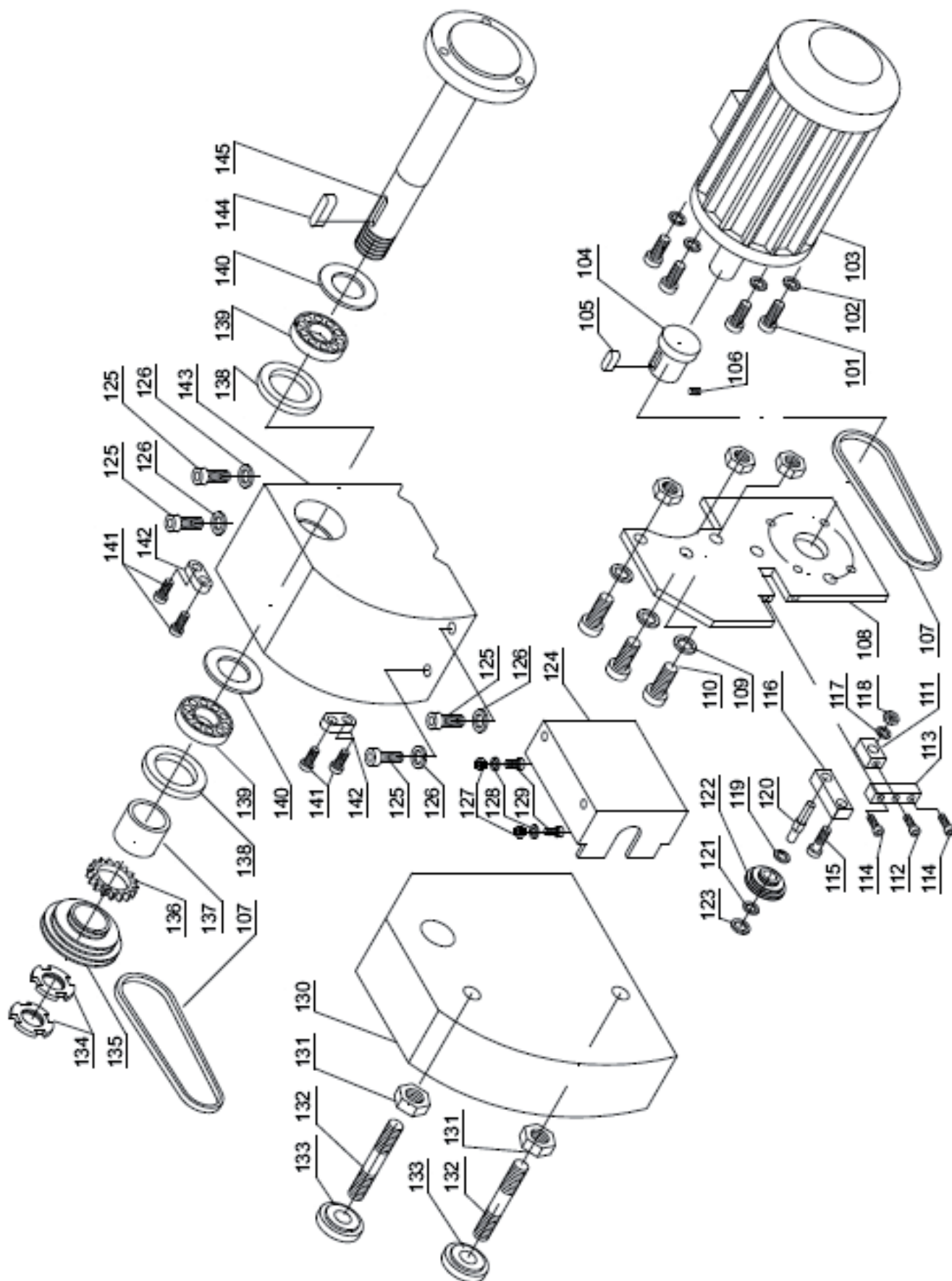
Achten Sie stets auf besten Zustand Ihrer Backen, Zentrierspitzen, Lünetten und Laufflächen der Schlitten!

REPARATUREN DÜRFEN NUR DURCH GEEIGNETES FACHPERSONAL DURCHFÜHRT WERDEN!

## 9. FEHLERBEHEBUNG

PROBLEM	MÖGLICHE URSACHE	LÖSUNG
Werkstückoberfläche rauh, gerippt;	Schneide des Werkzeuges stumpf. Werkzeug nicht richtig fixiert! (max. 9mm Überhang) Zu hohe Drehzahl Radius an Werkzeugspitze zu klein Werkstück biegt sich durch	Schneide schärfen/wechseln Werkzeug mit weniger Überhang einspannen Drehzahl reduzieren Schneide mit höherem Schrittradius Lünette verwenden
Werkstück wird kegelig	Spindel- und Reitstock nicht in Linie schlechter Oberschlittenlauf	Reitstock nachjustieren! Oberschlitten nachjustieren
Drehbank rattert	Drehzahl zu hoch Lagerspiel	Drehzahl reduzieren Lager nachjustieren
Zentrierspitzen werden heiß	Werkstück hat sich ausgedehnt	nachstellen
Werkzeugspitze sehr schnell stumpf	zu hohe Drehzahl zu hohe Spanabnahme mangelnde Kühlung	Drehzahl reduzieren Abnahme reduzieren Kühlung optimieren
hohe Abnutzung Werkzeugseite	Schnittwinkel falsch Werkzeug nicht auf Höhe Drehachse	Schnittwinkel ändern Werkzeughöhe anpassen
Schnittkante bricht ab	falscher Schnittwinkel Rissbildung durch ungleichmäßige Kühlung Vibration durch Lagerspiel	Schnittwinkel ändern gleichmäßig kühlen Lager nachjustieren
falscher Gewindeschnitt	Werkzeug falsch eingespannt falscher Gewindegang falscher Durchmesser für Gewinde	Werkzeug parallel einspannen prüfen Werkstückdurchmesser anpassen
Spindel läuft nicht an	Notaus aktiviert	Notaus lösen

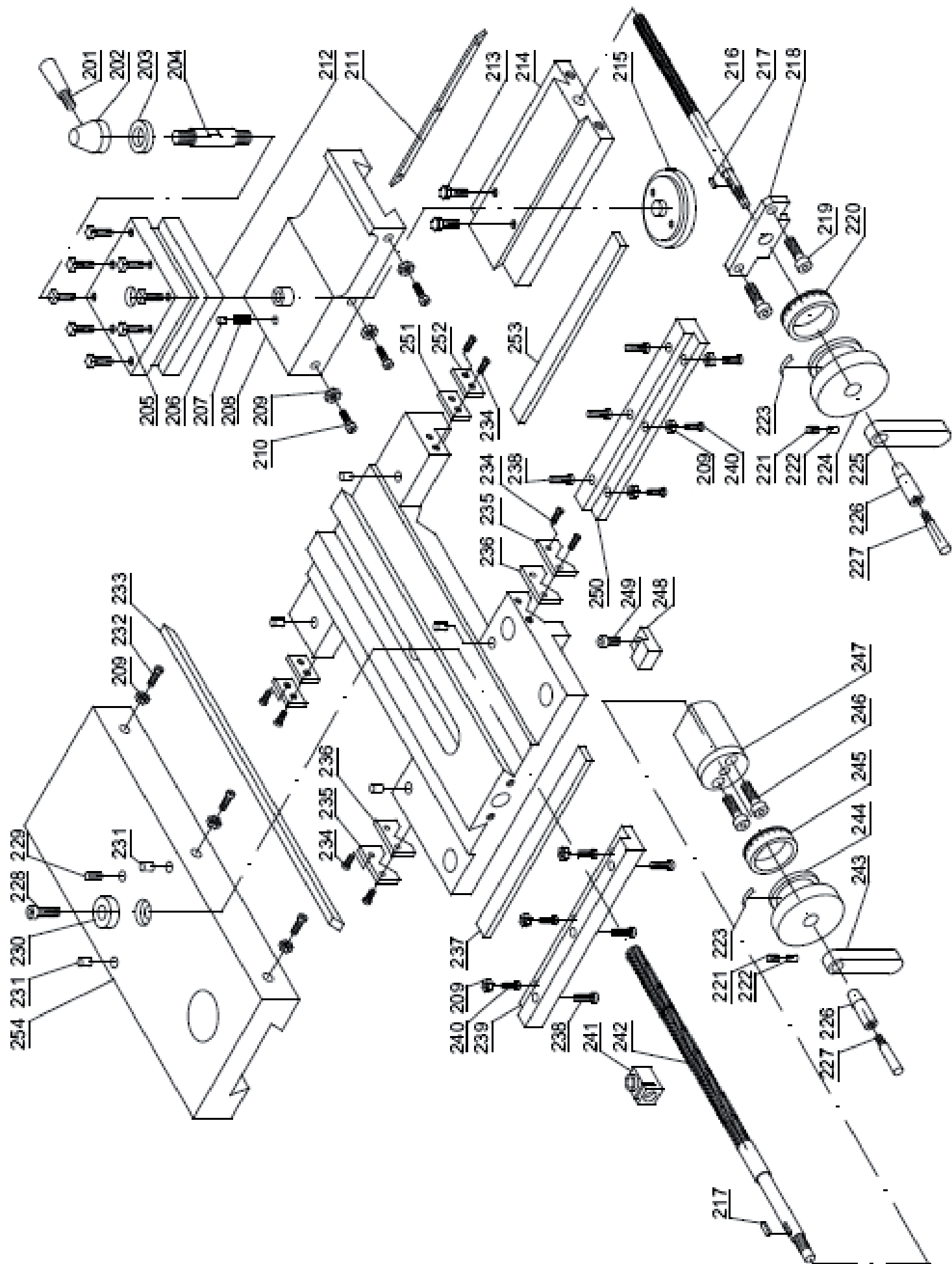
# SPARE PARTS / ERSATZTEILE



Parts No.	Description	Specification	Qty
101	Screw	M5x25	4
102	Washer		4
103	DC Motor	83ZY005A	1
104	Motor Puller		1
105	Key	A4x4x20	1
106	Screw	M6x8	1
107	Belt	Gates-5M- 360	2
108	Bracket Plate		1
109	Washer	8	3
110	Screw	M8x20	3
111	Block		1
112	Screw	M6x30	1
113	Block		1
114	Screw	M6x20	1
115	Bolt		1
116	Block		1
117	Washer		1
118	Nut		1
119	Spring Ring	φ8x0.8	1
120	Bolt		1
121	Bearing		1
122	Pulley		1

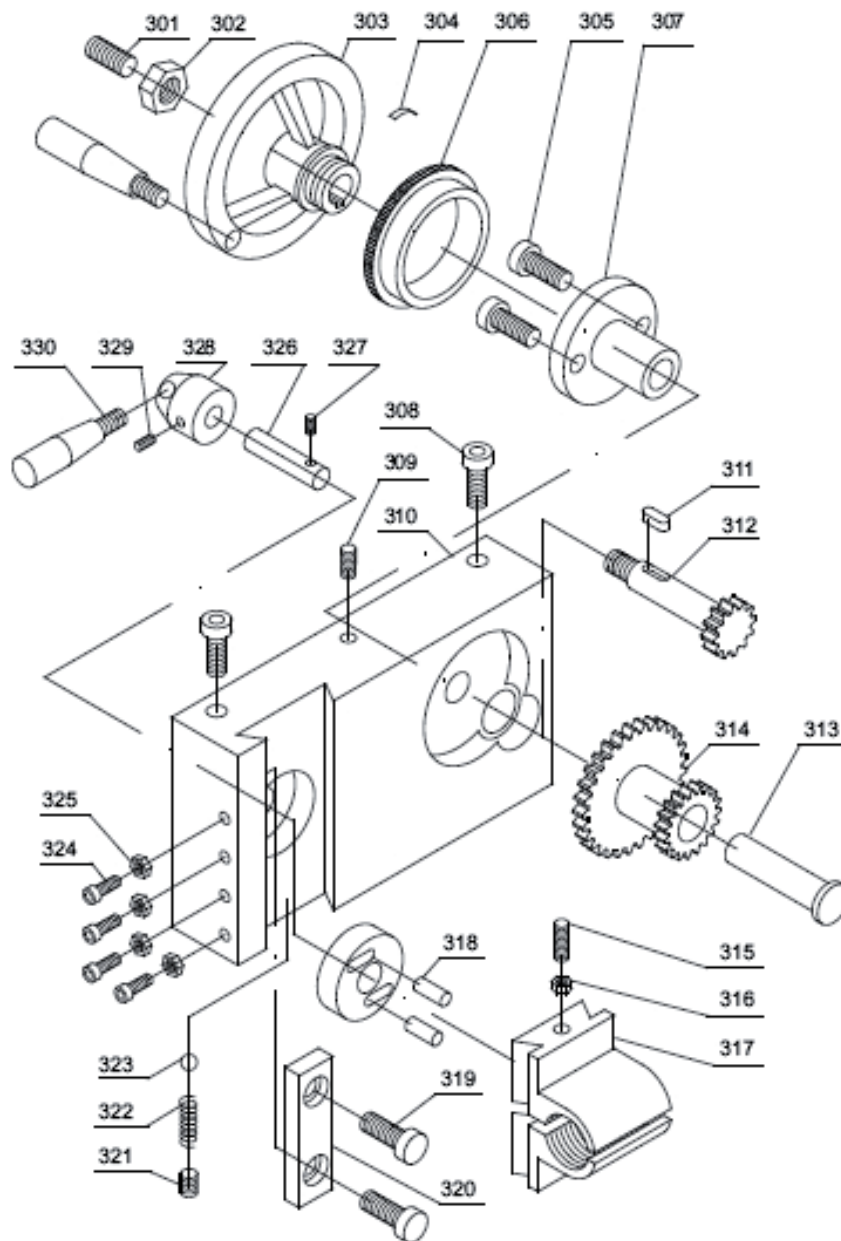
Parts No.	Description	Specification	Qty
123	Spring Ring	φ 22x1	1
124	Cover		1
125	Screw	M8x25	4
126	Washer	8	4
127	Nut	M8	2
128	Washer	8	2
129	Screw	M8	2
130	Belt Cover		1
131	Nut	M10	2
132	Bolt	M10x80	2
133	Nut	M10	2
134	Nut	M27x1	2
135	Spindle Puller		1
136	Gear	40T	1
137	Separator		1
138	Gasket		1
139	Bearing	30206	1
140	Grease Cover		1
141	Screw	M4x10	2
142	Block		1
143	Headstock		1
144	Key	A3x3x15	1
145	Spindle		1





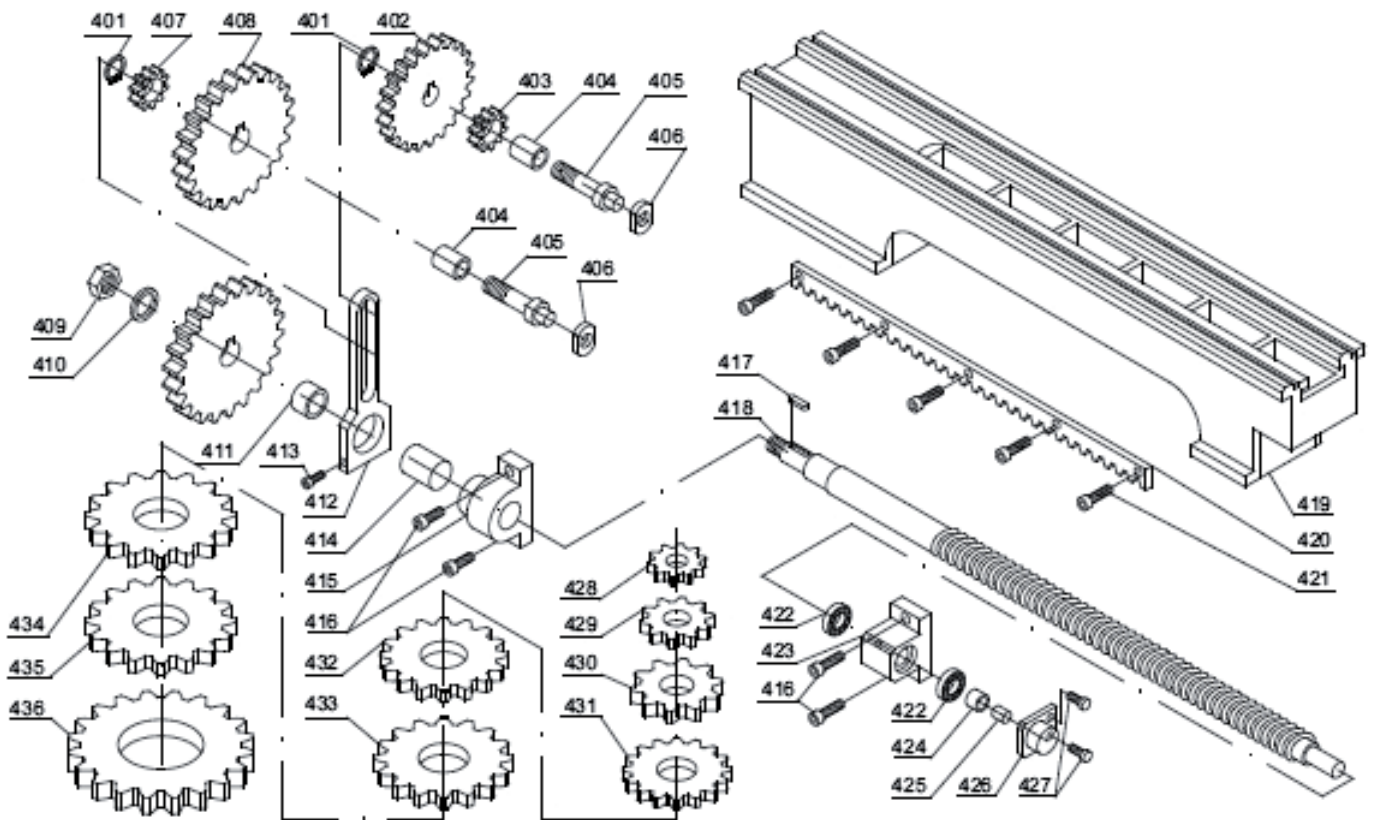
Parts No.	Description	Specification	Qty
201	Handle		1
202	Handle Base		1
203	Washer		1
204	Bolt		1
205	Screw	M6x25	1
206	Pin		1
207	Spring	5x10x1	1
208	Longitudinal Slide		1
209	Nut	M4	9
210	Screw	M4x14	3
211	Gib		1
212	Top Rest		1
213	Screw	M5x30	1
214	Swivel Base	M6x20	1
215	Micrometer Pan		1
216	Lead Screw		1
217	Key	3x12	1
218	Bracket		1
219	Screw	M5x12	2
220	Collar		1
221	Screw		2
222	Pin		2
223	Spring		2
224	Handwheel		1
225	Handle Block		1
226	Handle Sleeve		2
227	Handle		2

Parts No.	Description	Specification	Qty
228	Screw	M4x8	1
229	Screw	M5x10	1
230	Bush		1
231	Oil Cup	Ø5	2
232	Screw	M4x20	3
233	Gib		1
234	Screw		8
235	Wiper Cover		2
236	Wiper		2
237	Gib		1
238	Screw	M5x10	6
239	Sliding Block		1
240	Screw	M4x10	6
241	Nut		1
242	Lead Screw		1
243	Handle Block		1
244	Handwheel		1
245	Collar		1
246	Screw	M6x50	2
247	Bracket		1
248	Clamping Plate		1
249	Screw		1
250	Sliding Block		1
251	Wiper		2
252	Wiper Cover		2
253	Gib		1
254	Cross Slide		1



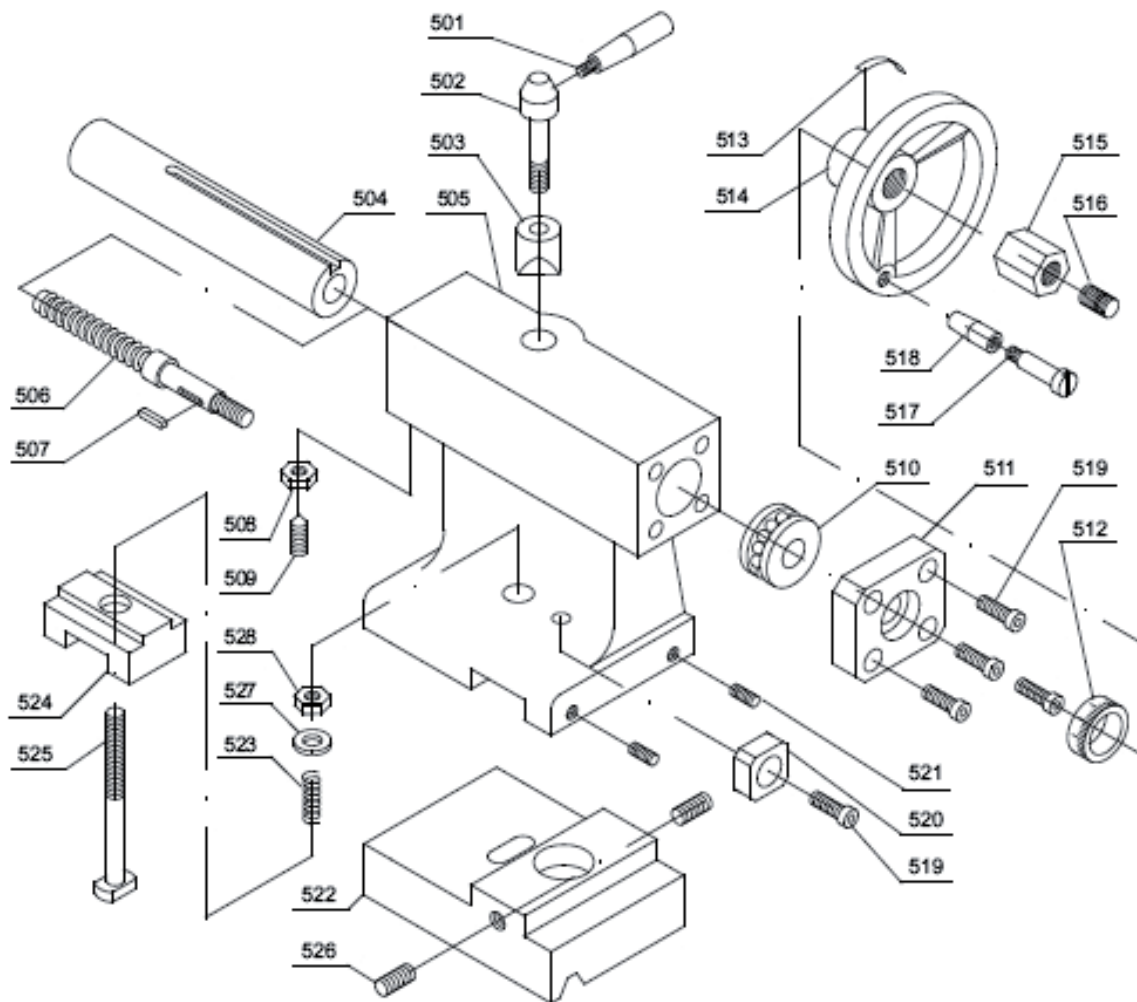
Parts No.	Description	Specification	Qty
301	Screw	M8x8	1
302	Nut	M8	1
303	Handwheel		1
304	Spring		1
305	Screw	M5x10	2
306	Collar		1
307	Bracket		1
308	Screw	M8x25	2
309	Screw	M5x8	1
310	Apron		1
311	Key	A3x3x8	1
312	Gear Shaft	14T	1
313	Shaft		1
314	Gear	44/21T	1
315	Screw	M4x35	1
316	Nut	M4	1

Parts No.	Description	Specification	Qty
317	Half Nut		1
318	Pin	∅4x10	1
319	Screw	M4x10	2
320	Block		1
321	Screw	M6x8	1
322	Spring	0.6x∅3.5x12	1
323	Ball	∅4.5	2
324	Screw	M4x12	4
325	Nut	M4	1
326	Shaft		1
327	Pin	∅3x30	2
328	Hand Base		1
329	Screw	M5x6	1
330	Handle		1
331	Handle		1



Parts No.	Description	Specification	Qty
401	Spring Ring		2
402	Gear	60T	1
403	Gear	20T	1
404	Bush		1
405	Bolt		1
406	Nut	M8	1
407	Gear	24T	1
408	Gear	80T	1
409	Nut	M10	1
410	Washer	10	1
411	Bush		1
412	Frame		1
413	Screw	M6x35	1
414	Bush		1
415	Left Support		1
416	Screw	M6x14	2
417	Key	A3x3x16	1
418	Lead Screw		1

Parts No.	Description	Specification	Qty
419	Bed		1
420	Rack		1
421	Screw	M2x12	5
422	Bearing	51100	2
423	Right Support		1
424	Nut		1
425	Screw	M8x6	1
426	Cover		1
427	Screw	M4x12	2
428	Gear	25T	1
429	Gear	30T	1
430	Gear	33T	1
431	Gear	35T	1
432	Gear	40T	1
433	Gear	45T	1
434	Gear	50T	1
435	Gear	52T	1
436	Gear	66T	1



Parts No.	Description	Specification	Qty
501	Handle		1
502	Handle Base		1
503	Lock Base		1
504	Sleeve		1
505	Tailstock		1
506	Lead Screw		1
507	Key	A3x3x8	1
508	Nut	M6	1
509	Screw	M6x14	1
510	Bearing	51100	1
511	Housing		1
512	Collar		1
513	Spring		1
514	Handwheel		1

Parts No.	Description	Specification	Qty
515	Nut	M8	1
516	Screw	M8x6	1
517	Handle Screw		1
518	Handle Sleeve		1
519	Screw	M5x12	1
520	Adjustment Block		1
521	Screw	M6x12	1
522	Base		1
523	Spring		1
524	Clamping Plate		1
525	Bolt	M10x70	1
526	Screw	M6x16	2
527	Washer	∅10	1
528	Nut	M10	1

# WIRING DIAGRAM / SCHALTPLAN

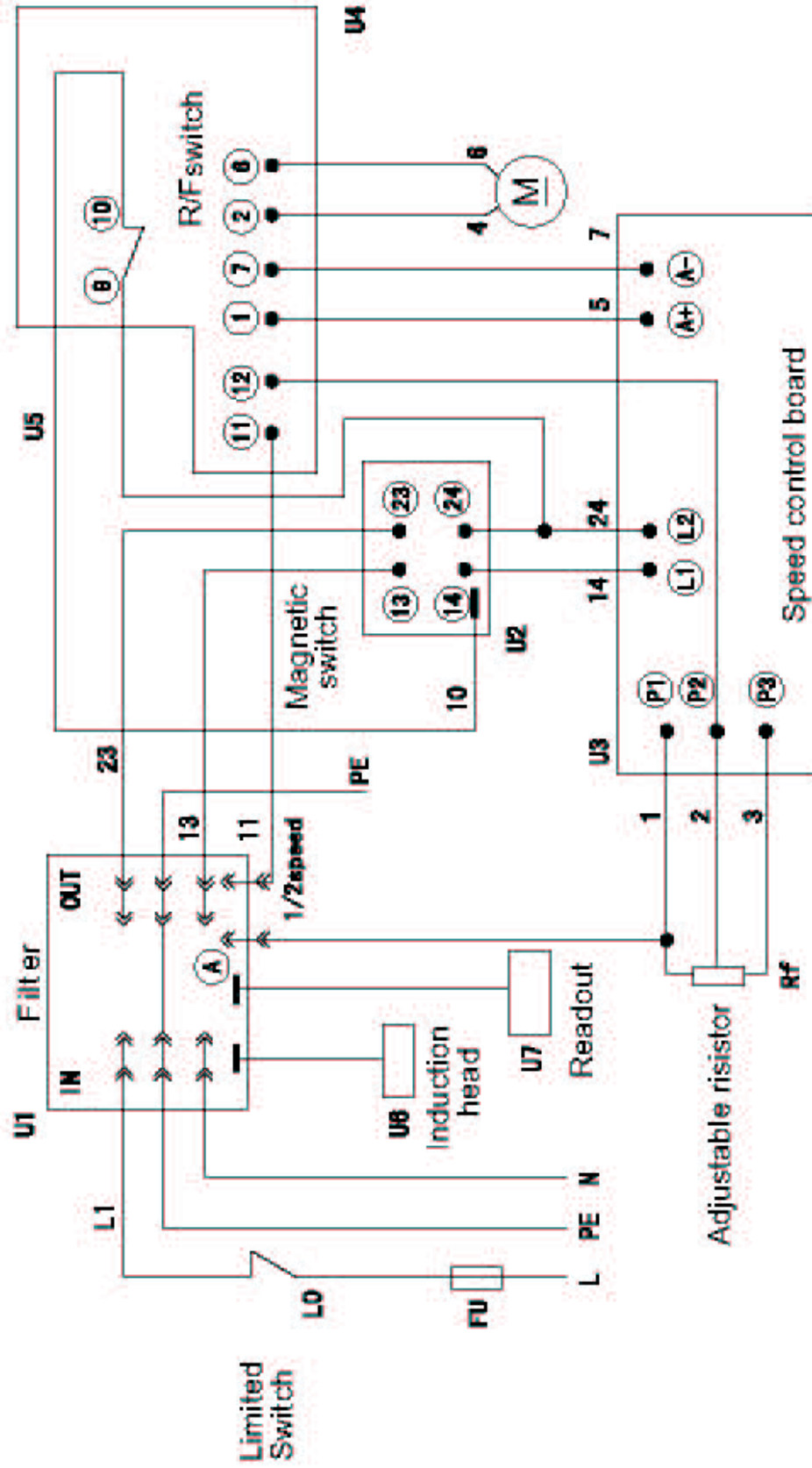
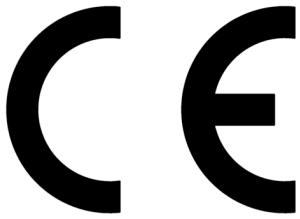


Fig. 39



# KONFORMITÄTSERKLÄRUNG / DECLARATION OF CONFORMITY



Inverkehrbringer / Distributor  
HOLZMANN MASCHINEN GmbH  
4170 Haslach, Marktplatz 4  
AUSTRIA

Hereby we declare, that the below mentioned machine complies with all relevant safety and health requirements of the below stated directives. Any manipulation of the machine not explicitly approved by us renders this document null and void.

Hiermit erklären wir, dass die nachfolgend genannte(n) Maschine(n) aufgrund ihrer Bauart und in der von uns in Verkehr gebrachten Versionen grundlegenden Sicherheits- und Gesundheitsanforderungen der angeführten EG-Richtlinien entspricht. Diese Erklärung verliert ihre Gültigkeit, wenn Veränderungen an der Maschine vorgenommen werden, die nicht mit uns im Vorfeld schriftlich abgestimmt wurden.

## MACHINE TYPE / MASCHINENTYPE

metal turning lathe / Metaldrehbank

## MODEL NAME / MODELLBEZEICHNUNG

HOLZMANN ED 400FD

## DIRECTIVES / RICHTLINIEN

2006/42/EC

## REGISTRATION NUMBERS / REGISTRIERUNGSNUMMERN

N8M 10 07 72209 006

Haslach     05.01.2011  
Place,/Ort    Date/datum

 **HOLZMANN MASCHINEN**  
Schörgenhuber GmbH  
Marktplatz 4, 4170 Haslach  
Tel.: +43 7289 71562-0  
Fax: +43 7289 71562-4  
www.maschinen-direkt.at

Klaus Schörgenhuber, CEO

