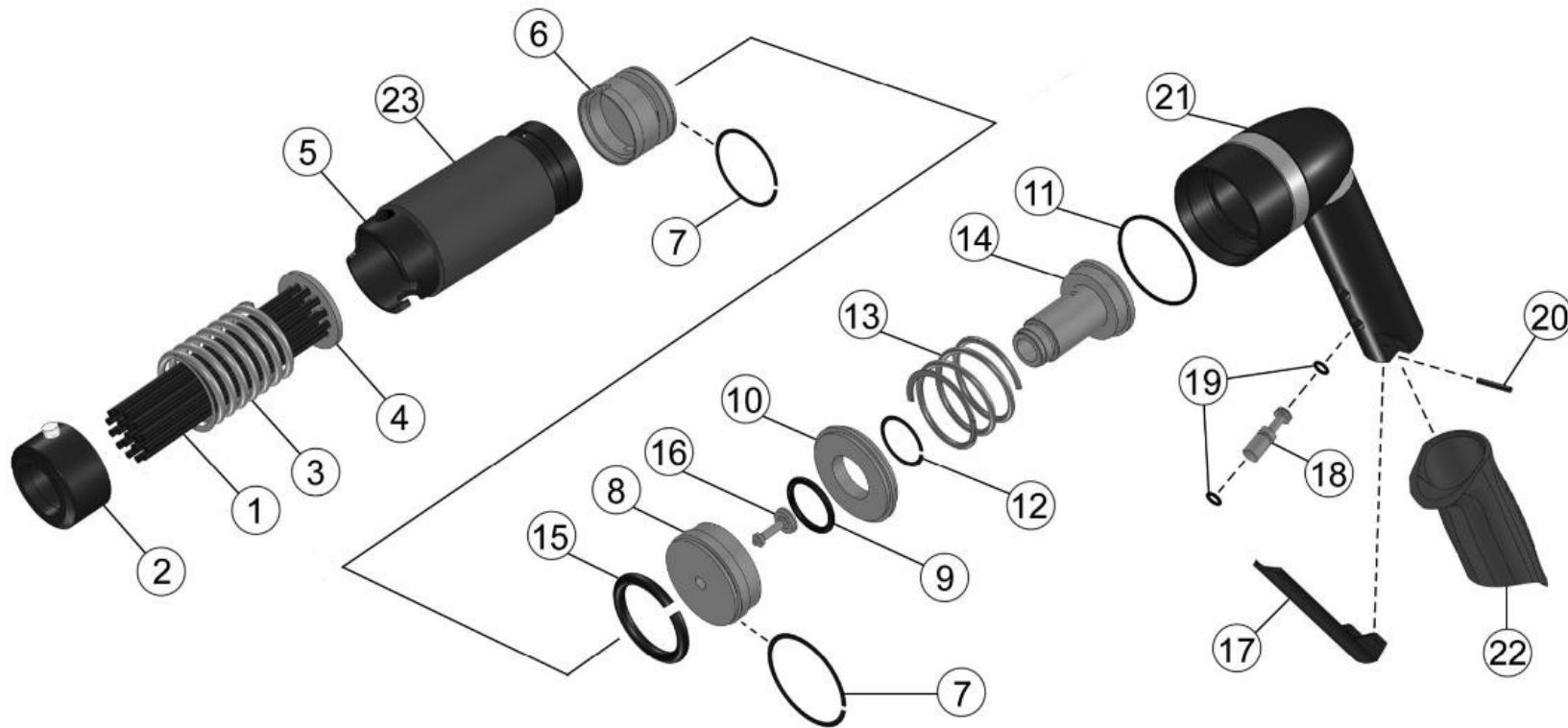


Needle Scaler GNV-28



- 1. Needles 140 x 3,2 mm (28)
- 2. G-28-02 Front
- 3. G-28-03 Forward Spring
- 4. G-28-04 Needle Holder
- 5. G-28-05 Housing

- 6. G-28-06 Piston
- 7. G-28-07 Piston Ring
- 8. G-28-08 Balance
- 9. G-28-09 O-ring
- 10. G-28-10 Divider

- 11. G-28-11 Rear O-ring
- 12. G-28-12 Seal Ring
- 13. G-28-13 Rear Spring
- 14. G-28-14 Balance Extension
- 15. G-28-15 Limit Ring

- 16. G-28-16 Valve
- 17. G-28-17 Lever
- 18. G-28-18 Valve Stem
- 19. G-28-19 O-ring (2)
- 20. G-28-20 Pin

21.G-28-21 Rear

22.G-28-22 Handle Cover

23.G-28-23 Housing Cover