

GENERATING SET GE S-8000 HBT

The images are for reference



FEATURES

- Manual recoil
- Engine shut down for low oil level
- Sockets: 1x 400V 16A 3P+N+T CEE
1x 230V 16A 2P+T CEE
1x 230V 16A 2P+T Schuko
- Circuit breaker
- Fuel level gauge
- Protective frame and partially covered
- Silenced
- Portable
- Meets EC directives for noise and safety
- AVR version **on request**



air cooled



petrol



three-phase power



manual recoil

POWER RATINGS

* Stand-By three-phase power (LTP)	8 kVA (6.4 kW) / 400V /11.5A
* PRP three-phase power	7 kVA (5.6 kW) / 400 V / 10.1A
* PRP single-phase power	4 kW / 230 V / 17.4A
* COP single-phase power	/
Frequency	50 Hz
Cos φ	0.8

* Output powers according to ISO 8528-1

DEFINITION

Valid declared powers up to the followings environmental conditions: temperature 25°C, altitude 100 meters above sea level)

LTP power: stand-by power: Maximum available power for use with variable loads for a yearly number of hours limited at 500 h. No overload is admitted.

PRP power: continue power with variable loads. Maximum power for use with variable loads for a yearly illimited nubers of hours.

COP power: continuous power with constant load. Maximum power for use with constant loads for a yearly unlimited numbers of hours.

ENGINE 3000 RPM

4 STROKE OHV, NATURAL ASPIRATED

Model	HONDA GX 390
* Stand-By net power	8.2 kWm (11.1 hp)
* PRP net power	6.4 kWm (8.7 hp)
* COP net power	/
Cylinders / Displacement	1 / 389 cm ³ (0.39 lt.)
Bore / Stroke	88 / 64 (mm)
Compression ratio	8.2 : 1
BMEP (Brake Mean Effective Pressure : LTP - PRP)	/
Speed governor type	Mechanical
FUEL CONSUMPTION	
110 % (Stand-by power)	3.5 lt./h
100 % to PRP	3.2 lt./h
75 % to PRP	2.4 lt./h
50 % to PRP	1.6 lt./h
COOLING SYSTEM	
Total system cap. - only engine	/
Fan air flow	/
LUBRIFICATION SYSTEM	
Total oil system capacity	/
Oil capacity in sump	1.1 lt.
Oil consumption at full load	/

* Output powers according to ISO 3046-1

EXHAUST SYSTEM

Maximum exhaust gas flow	/
Max. exhaust gas temp.	/
Maximum back pressure	/
External diameter exhaust pipe	/
ELECTRICAL SYSTEM	
Starter motor power	/
Battery charging alternator cap.	/
Cold start	/
With cold start aid	/
AIR FILTER	Dry
Combustion air flow	/
HEAT REJECTED AT FULL LOAD	
To exhaust system	/
To water and oil	/
Radiated to room	/
To charge cooler	/



ALTERNATOR

SYNCHRONOUS, THREE-PHASE, SELF-EXCITED, SELF-REGULATED		
	WITHOUT AVR	WITH AVR
Continuous power	7 kVA	
Stand-by power	7.7 kVA	
Three phase voltage	400 Vac	
Frequency	50 Hz	
Cos φ	1	
Model A.V.R.	/	HVR10
Voltage regulation acc.	± 4 %	± 1 %
Sustained short circuit current	3 In	
Transient dip (100% load)	< 15 %	
Recovery time	/	
Efficiency at 100% load	80.5% (400V - Cos φ 0.8)	82.5 % (400V - Cos φ 0.8)
Insulation	Class H	
Connection - Terminals	Series - N°6	
Electromagnetic compatibility (R.F.I. suppr.)	EN55011	
Waveform distortion - THD	< 4 %	
Telephone interference - THF	/	

REACTANCES (7 KVA - 400 V) REACTANCES AVR (7 KVA - 400 V)	WITHOUT AVR	WITH AVR
Direct axis synchronous - Xd	270 %	222 %
Direct axis transient - X'd	20 %	15 %
Subdirect axis transient - X''d	6.5 %	4.7 %
Quadrature axis synchronous - Xq	150 %	128 %
Quadr. axis subtransient - X''q	/	/
Negative sequence - X2	/	/
Zero sequence - X0	/	/
TIME CONSTANTS		
Transient - T'd	33 ms	33 ms
Subtransient - T''d	5.5 ms	6 ms
Open circuit - T'do	450ms	500 ms
Armature - Ta	/	/
Short-circuit ratio Kcc	0.60	0.72
Grado di Protezione IP	IP 23	
Cooling air flow	0.062/ m³/sec	0.060/ m³/sec
Coupling I Bearing	Direct J609b - N°1	

GENERAL SPECIFICATIONS

Fuel tank capacity	20 lt.
Running time (75% to PRP)	8.5 h
Starter battery	/
IP protection degree	IP 23

* Measured acoustic power LwA (pressure LpA)	96 dB(A) (71 dB(A) @ 7m)
* Guaranteed acoustic power LwA (pressure LpA)	96 dB(A) (71 dB(A) @ 7m)
Performance class (ISO 8528)	G2

* Acoustic power according to European Directive 2000/14/CE

CONTROL PANEL

- Engine switch ON - OFF
- Choke
- Fuel valve
- Fuel gouge
- Digital multifunction meter: Voltmeter - Frequencymeter - Total Hoursmeter - Partial Hoursmeter (resettable)
- Circuit breaker
- Output sockets: 1x 400V 16A 3P+N+T CEE
1x 230V 16A 2P+T CEE
1x 230V 16A 2P+T Schuko
- Earth terminal (PE)

WEIGHT - DIMENSIONS AND ACCESSORIES

GE S-8000 HBT



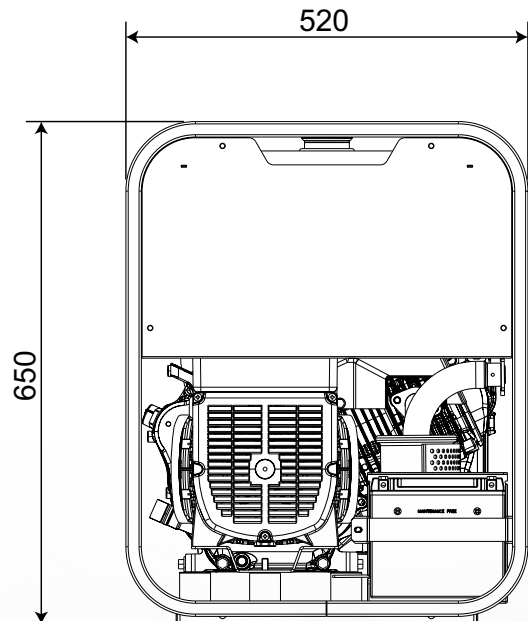
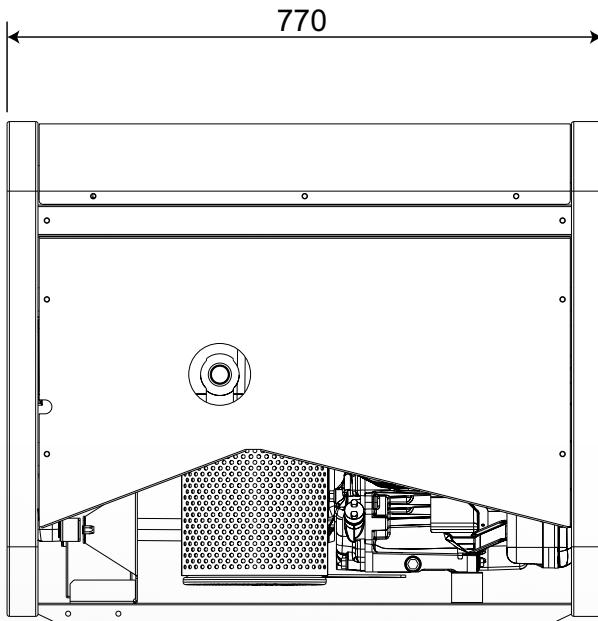
DRY WEIGHT MACHINE:

- 98 kg
- 102 kg (AVR)

Generating set pictured may include optional accessories.



DIMENSIONS DRAW (mm)



OPTIONS ON REQUEST

- Earthing kit
- Moving trolley CM8



VERSIONS ON REQUEST

- AVR version



FACTORY INSTALLATION OPTIONS

- ELCB-GFI (Ground Fault Interruptor)
- Isometer

GENERAL INFORMATION

COMPLIANCE GENERATING SETS WITH EC DIRECTIVES AND STANDARDS

- 2006/42 / EC (Machines Directive)
- 2014/35 / EU (Low Voltage Directive)
- 2014/30 / EU (EMC Directive)
- 2000/14 / EC (Directive Acoustic Emission for machines for use outdoors)
- ISO 8528 (Reciprocating internal combustion engine driven alternating current generating sets)



ISO 9001:2008 - Cert. 0192

WARRANTY

All devices are covered by the manufacturer's warranty.

The company reserves the right to change this specification without notice. For further information please contact the sales department.

© MOSA - Viale Europa, 59 - 20090 Cusago (Milano) - Italy - phone +39-0290352.1 - fax + 39-0290390466 E-mail: info@mosa.it Web site: www.mosa.it

