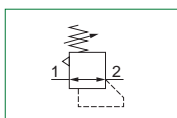


► Regulators (R - RM - RW - RP - RZ)



- ▶ Diaphragm pressure regulator with relieving
- ▶ Available in 4 sizes with flow rates up to 8000 NI/min and connections from 1/8" to 1"
- ▶ Low hysteresis rolling diaphragm and balanced spool
- ▶ Available in four pressure ranges up to 12 bar
- ▶ Fitted with panel mounting locking ring
- ▶ Available with pressure gauge or digital pressure switch integrated
- ▶ Atex certification (II 2GD or II 3GD)
- ▶ Inlet pressures up to 20 bar



Note

For installations where a more accurate and constant pressure is required, the unit should be installed as close as possible to the point of use.

2

AIR TREATMENT

Technical characteristics		Size	Size 1	Size 2	Size 3	Size 4	
Body and connections type		Technopolymer body, integrated technopolymer connections (T version) Technopolymer body, metal connections (N version)				/	/
		/		Aluminium body, integrated aluminium connections (P - L versions)			
IN / OUT connections	T version	G1/4"		G3/8"		G1/2"	
	N version	G1/8" - G1/4" - 1/4" NPT		G3/8" - G1/4" - 3/8" NPT		G3/8" - G1/2" - 1/2" NPT	
	P and L version	not available		G3/8" - 1/4" NPT		G1/2" - 1/2" NPT	
Assembly configuration		Stand alone Panel mounting With fixing bracket /				Panel mounted	
Assembly positions		Indifferent					
Pressure range		0-2 bar 0-4 bar 0-8 bar 0-12 bar (P2 max 10 Bar in case of digital pressure switch selection)					
Regulation		Manul push and lock with pressure Manual lockable with accessories					
Pressure measurement		G1/8" - 1/8" NPT pressure gauge connection port (only for versions with IN / OUT NPT connections) Integrated pressure gauge (optional) Digital pressure switch (optional)					
Max. fittings torque IN / OUT connections		G1/8" metal: 15Nm G1/4" metal: 20Nm G1/4" technopolymer: 9Nm		G1/4" metal: 20Nm G3/8" metal: 25Nm G3/8" technopolymer: 16Nm		G3/8" metal: 25Nm G1/2" metal: 30Nm G1/2" technopolymer: 22Nm	
Max. fitting torque pressure gauge connection port		G1/8" technopolymer: 4Nm G1/8" metal: 15Nm					

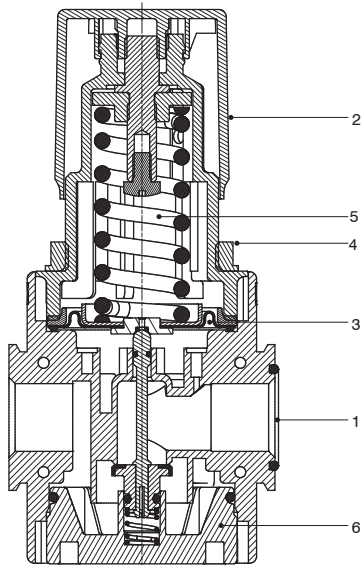
Operational characteristics		Size	Size 1	Size 2	Size 3	Size 4
Maximum working pressure		13 bar			20 bar (only for P - L versions)	
Minimum working pressure		0,5 bar				
Working temperature		-5°C +50°C			-30°C +80°C (only for P version) -40°C +80°C (only for L version)	
Working temperature with digital pressure switch		0°C +50°C				



Weights					
	Size	Size 1	Size 2	Size 3	Size 4
Technopolymer body version		150 g	310 g	390 g	/
Aluminium body version		/	400 g	560 g	1260 g

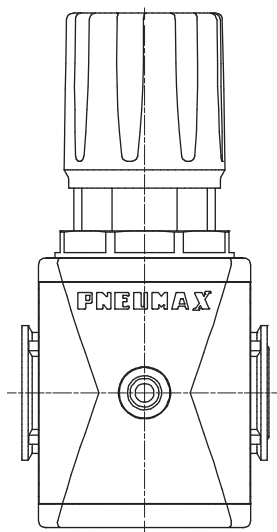
Materials

Exploded sectioned

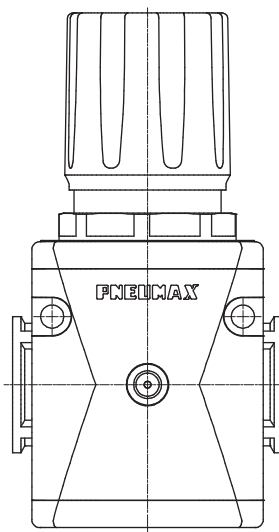


Regulator		
1	Body	Polyamide Die-cast aluminium
2	Adjusting knob	Polyamide
3	Diaphragm	NBR
4	Panel mounting locking ring	Polyamide
5	Adjusting spring	Steel
6	Rear end cap	Polyamide / Die-cast aluminium

Size 1 - Size 2 - Size 3



Size 4
All versions



2
AIR TREATMENT

Design



Order codes

	T	17	3B	R	M	D			
Version									
N : Technopolymer body and metal inserts (not available for size 4)									
T : Technopolymer body and thread (not available for size 4)									
P : Aluminum body (not available for size 1)									
L : Aluminum body, low temperature (not available for size 1)									
Size and connections									
1A : Size 1 - G1/8" only for N version									
1B : Size 1 - G1/4" only for T - N versions									
1C : Size 1 - 1/4" NPT only for N version									
2A : Size 2 - G1/4" only for N version									
2B : Size 2 - G3/8" for all versions									
2C : Size 2 - 3/8" NPT only for N version - 1/4" NPT only for P - L versions									
3A : Size 3 - G3/8" only for N version									
3B : Size 3 - G1/2" for all versions									
3C : Size 3 - 1/2" NPT only for N - P - L versions									
4B : Size 4 - G1" only for P - L versions									
4C : Size 4 - 1" NPT only for P - L versions									
Pressure measurement options									
: G1/8" - 1/8" NPT thread									
M : Integrated pressure gauge									
W : Integrated pressure gauge Right - Left									
P : Digital pressure switch									
Z : Digital pressure switch Right - Left									
Pressure range									
A : 0 - 2 bar									
B : 0 - 4 bar									
C : 0 - 8 bar									
D : 0 - 12 bar									
Relieving options									
: With relieving									
F : Controlled refiel and improved relieving (not available for size 4)									
L : Without relieving									
R : Improved relieving									
Knob options									
: Non-lockable version									
K : Lockable version									
U : Lockable version with universal key									
Digital pressure switch options									
A : Cable 150 mm + M8 PNP									
B : Cable 150 mm + M8 NPN									
C : Cable 2 m PNP									
D : Cable 2 m NPN									

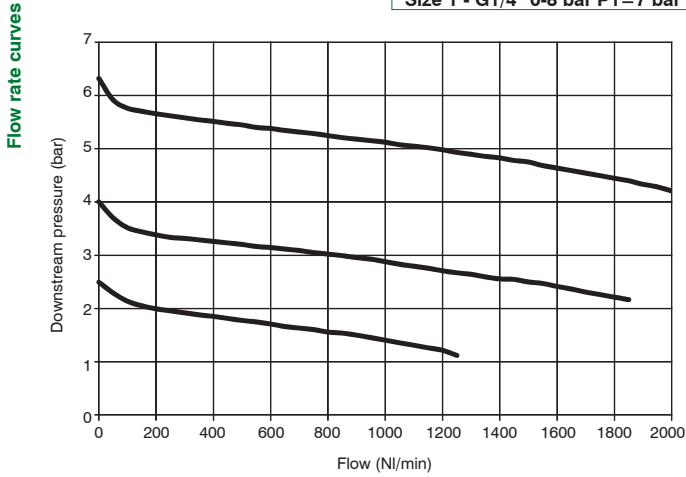
Example : T173BRMD : Size 3 regulator G1/2" 0 - 12 bar



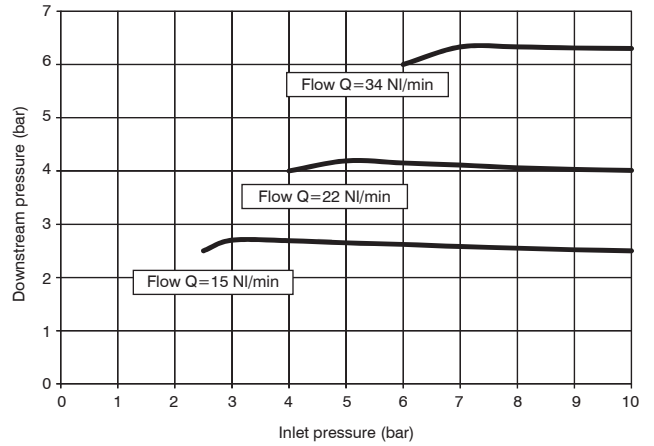
Characteristic curves

2
AIR TREATMENT

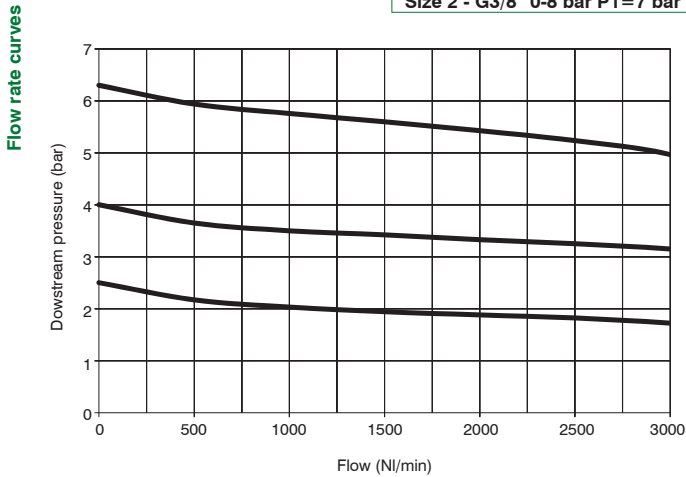
Size 1 - G1/4" 0-8 bar P1=7 bar



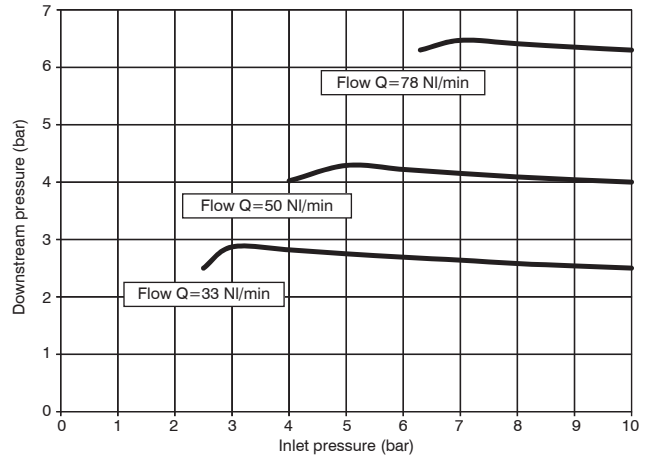
Adjustment characteristic



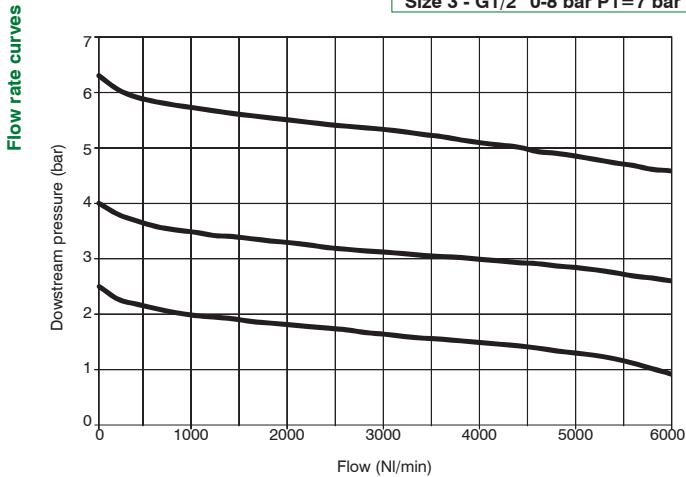
Size 2 - G3/8" 0-8 bar P1=7 bar



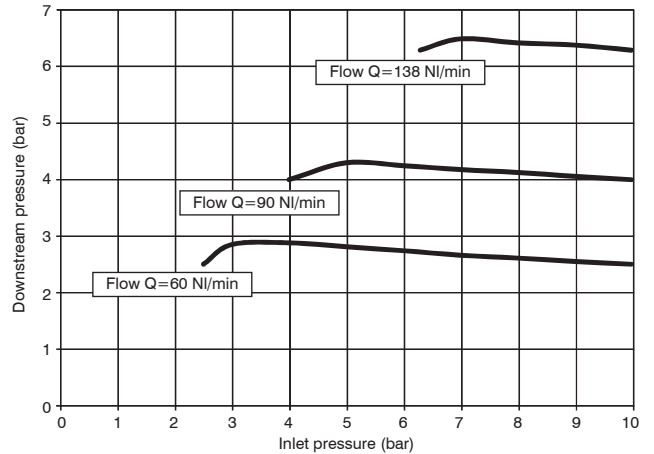
Adjustment characteristic



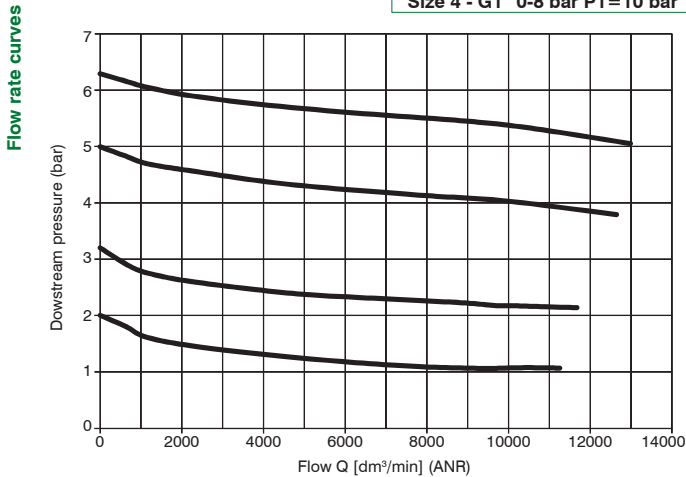
Size 3 - G1/2" 0-8 bar P1=7 bar



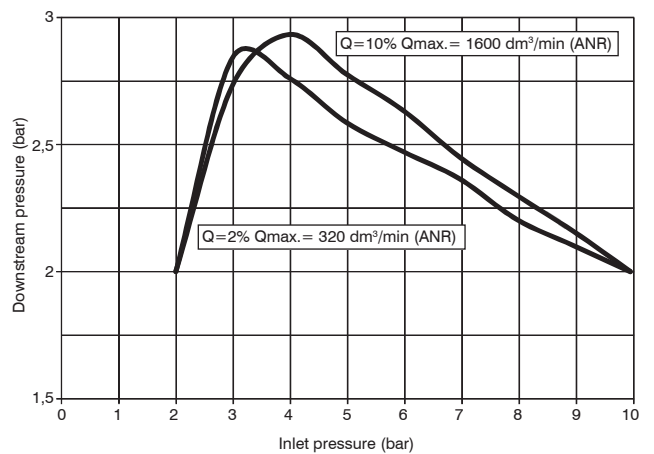
Adjustment characteristic



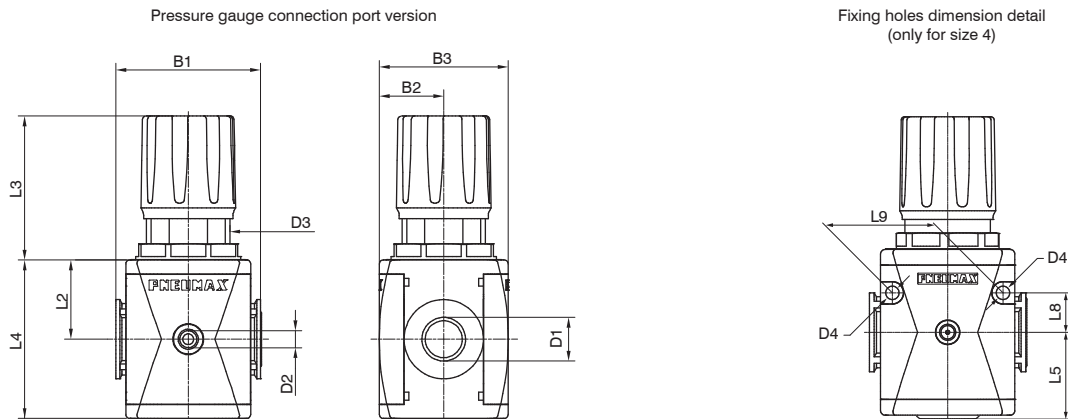
Size 4 - G1" 0-8 bar P1=10 bar



Adjustment characteristic



Dimensions

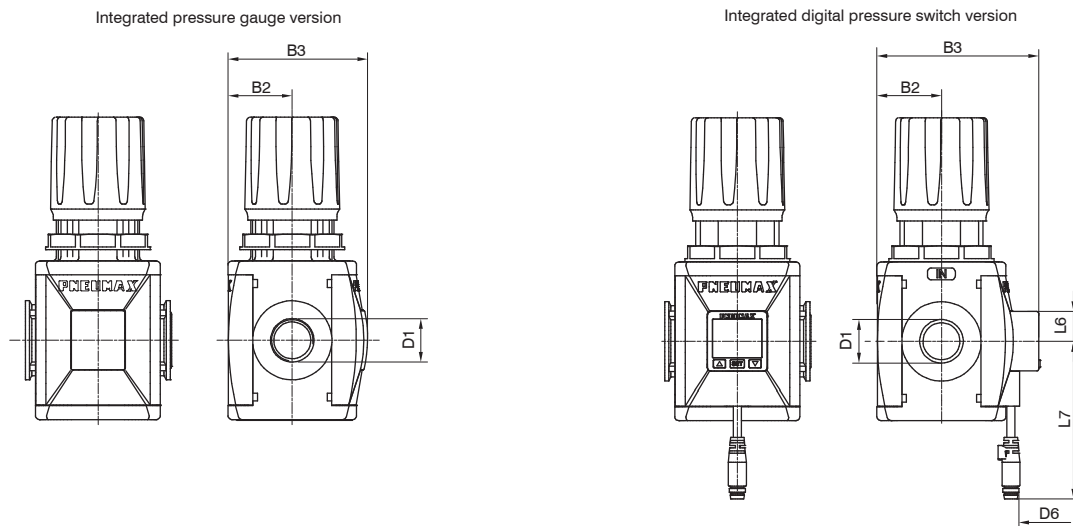


Model	B1	B2	B3	D1	D2	D3	D4	L2	L3	L4	L5	L8	L9
#171..	48	21	42	G1/8" G1/4" 1/4" NPT	G1/8" 1/8" NPT	M30x1,5	/	27,5	54	55	/	/	/
#172..	62	28,5	57	G1/4" G3/8" 1/4" NPT 3/8" NPT	G1/8" 1/8" NPT	M42x1,5	/	34	71,8	68	/	/	/
#173..	73	32,5	65	G3/8" G1/2" 1/2" NPT	G1/8" 1/8" NPT	M42x1,5	/	40	72,8	80	/	/	/
#174..	99	44	88	G1" 1" NPT	G1/8" 1/8" NPT	M54x1,5	8,5	52,5	87,5	105	54,5	25	70

2

AIR TREATMENT

Variable dimensions



Model	B2	B3		D1	D6 - Type of digital pressure switch		L6	L7 - Type of digital pressure switch	
		With pressure gauge	With digital pressure switch		A - B	C - D		A - B	C - D
#171..	21	48,5	60	G1/8" G1/4" 1/4" NPT	M8 - 3 PIN	3 x 0,129 mm, Ø4 mm	15	150	2000
#172..	28,5	62,5	73,5	G1/4" G3/8" 1/4" NPT 3/8" NPT					
#173..	32,5	70,5	81,5	G3/8" G1/2" 1/2" NPT					
#174..	44	90,5	101,5	G1" 1" NPT					