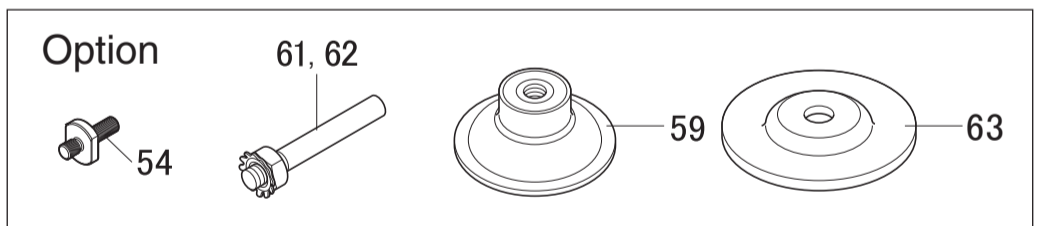
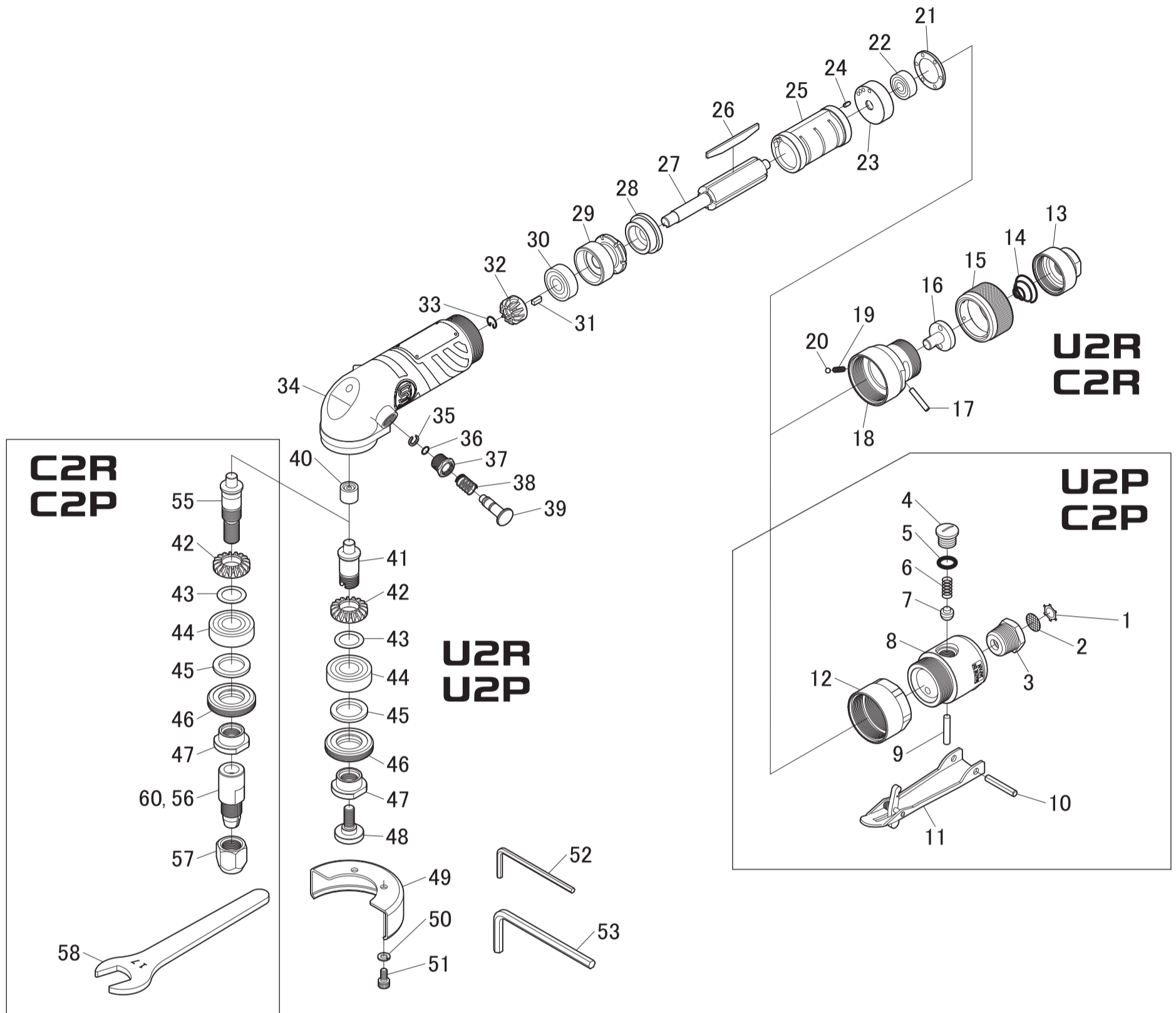


SI-AG2-U2R
SI-AG2-U2P 2" Angle Disc Grinder

SI-AG2-C2R
SI-AG2-C2P Angle Die Grinder



Ref. No.	Parts No.	Description	Q'ty	Ref. No.	Parts No.	Description	Q'ty	Ref. No.	Parts No.	Description	Q'ty
SI-AG2-U2P, SI-AG2-C2P				SI-AG2-U2P, SI-AG2-U2R				COMMON PARTS			
1	CRTW-12	Retainer	1	41	243SIL-4	Spindle(1/4-28UNF)	1	21	243-20	Bearing Cap	1
2	680-28A	Screen	1	42	243-6A	Bevel Gear	1	22	606ZZNSK	Ball Bearing	1
3	670-22	Inlet Bushing	1	43A	243-5A	Shim(0.25mm)	★	23	243-19A	Rear Plate	1
4	800-14	Valve Screw	1	43B	243-28A	Shim(0.1mm)	★	24	20-5	Roll Pin(2ø-5mm)	1
5	P-9	O-Ring	1	44	6001ZZNSK	Ball Bearing	1	25	243-18	Cylinder	1
6	670-49	Valve Spring	1	45	243-4	Felt Ring	1	26	243-16	Rotor Blade	4
7	300-10	Valve	1	46	243-3	Spindle Nut	1	27	243-17	Rotor	1
8	243SIL-3	Valve Housing incl. Bush (243SIL-5)	1	47	243-2	Disc Nut	1	28	243-15A	Front Plate	1
9	670-23	Valve pin	1	48	243-1	Cap Screw	1	29	243-14	Pinion Spacer	1
10	40-25	Roll Pin(4ø-25mm)	1	49	243-10	Disc Cover	1	30	608ZZNSK	Ball Bearing	1
11	242SIL-7	Throttle Lever	1	50	HSW-40	Washer	2	31	243-12	Key	1
12	243SIL-2	Coupling Nut	1	51	Z-M40---80	Cap Screw	2	32	243SIL-7T	Pinion Gear	1
SI-AG2-U2R, SI-AG2-C2R				52	WRA-3	3mm Allen Wrench	1	33	243-11	Retainer Ring	1
13	243-25	Inlet Bushing	1	53	WRA-5	5mm Allen Wrench	1	34	243SIL-1	Motor Housing	1
14	630-28	Valve Spring	1	SI-AG2-C2P, SI-AG2-C2R				35	2011AC-94A	Retaining Ring	1
15	243-24	Valve Ring	1	42	243-6A	Bevel Gear	1	36	2011AC-106	O-Ring	1
16	243-23	Valve	1	43A	243-5A	Shim(0.25mm)	★	37	2011AC-92A	Lock Pin Nut	1
17	3000-16-8	Needle Roller	1	43B	243-28A	Shim(0.1mm)	★	38	2011AC-95A	Spring	1
18	243-21	Lock Nut	1	44	6001ZZNSK	Ball Bearing	1	39	2011AC-93A	Lock Pin	1
19	243-26	Spring	1	45	243-4	Felt Ring	1	40	BK0709	Needle Bearing	1
20	SB-30	Steel Ball	1	46	243-3	Spindle Nut	1	OPTION			
				47	243-2	Disc Nut	1	◇ 54	243-30	Disc Attachment	1
				55	243C-2	Spindle	1	59	129-100	2" Disc Pad	1
				56	243C-1	6mm Collet	1	◆ 60	243C-1A	1/4 Collet	1
				57	630-1	Collet Nut	1	◆ 61	129-101	Disc Attachment for Die Grinder (6mm)	1
				58	630-31	Spanner Wrench	1	◆ 62	129-102	Disc Attachment for Die Grinder (1/4)	1
								◇ 63	243-W50	2" Disc	1