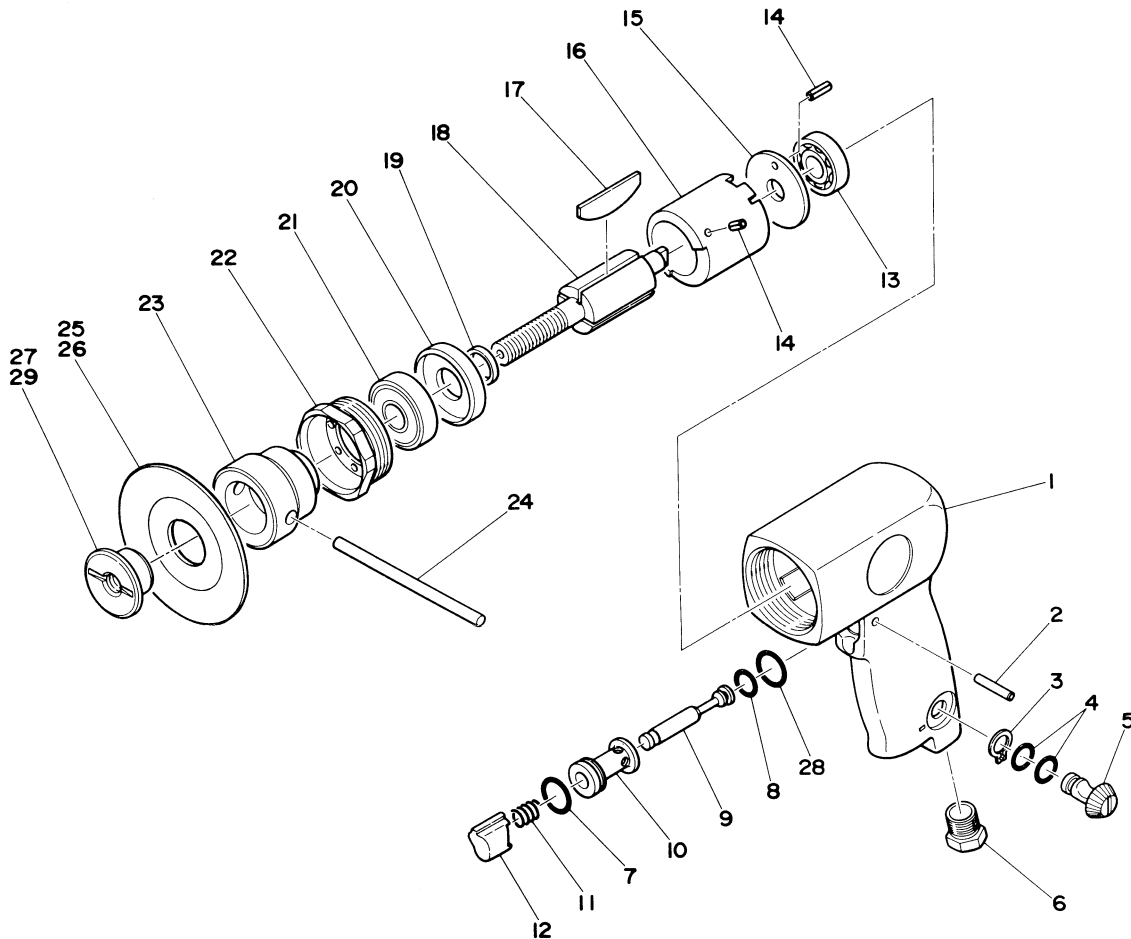


# SI-2210

## 4" Paper Sander



Ref. No.	Parts No.	Description	Q'ty	Ref. No.	Parts No.	Description	Q'ty
1	170-1	Motor Housing	1	16	170-12	Cylinder	1
2	25-20	Roll Pin (2.5φ-20mm)	1	17	170-5	Rotor Blade	4
3	JS-9	Retaining Ring	1	18	170-4	Rotor	1
4	P-5	O-Ring	2	19	170-9	Spacer	1
5	170-17	Air Regulator	1	20	170-3	Front Plate	1
6	670-22	Inlet Bushing	1	21	6201-ZZ	Ball Bearing	1
7	P-12	O-Ring	1	22	170-6	Lock Ring	1
8	P-4	O-Ring	1	23	170-10	Hub	1
9	170-18	Valve Stem	1	24	170-28	Bar Wrench	1
10	170-19	Valve Bushing	1	25	170C-27	Disc Pad 3"	1
11	170-21	Valve Spring	1	26	170C-30	Disc Pad 4"	1
12	170-20	Trigger	1	27	170-11	Disc Nut for 22mm Disc Hole	1
13	6000	Ball Bearing	1	28	P-11	O-Ring	1
14	25-5	Roll Pin (2.5φ-5mm)	2	◆29	170-1E	Disc Nut for 15mm Disc Hole	
15	170-2	Rear Plate	1				