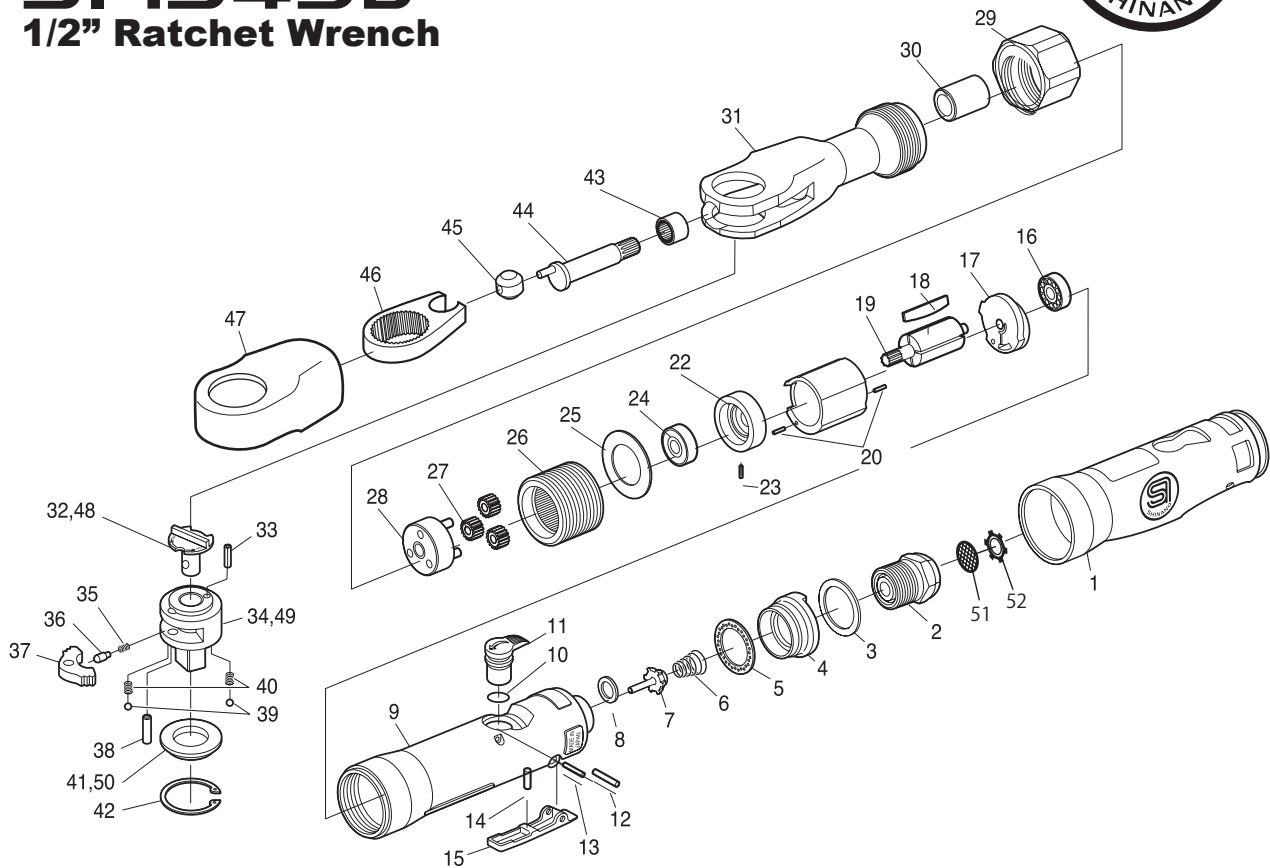


SI-1340B 3/8" Ratchet Wrench

SI-1345B 1/2" Ratchet Wrench



| Ref. No. | Parts No. | Description | Q'ty | Ref. No. | Parts No. | Description | Q'ty |
|----------|-----------|----------------------|------|----------|-----------|--|------|
| 1 | 305-8 | Housing Cover | 1 | 27 | 300-13 | Planet Gear | 3 |
| 2 | 305-4 | Swivel Bushing | 1 | 28 | 301-2 | Planet Cage incl. Planet Pins (300-21x3) | 1 |
| 3 | 305-7 | Washer | 1 | 29 | 670-25 | Lock Ring | 1 |
| 4 | 305-5 | Deflector | 1 | 30 | 300-43 | Bush | 1 |
| 5 | 305-6 | Silencer | 1 | 31 | 305-3 | Ratchet Housing | 1 |
| 6 | 325-16 | Valve Spring | 1 | 32 | 300-19 | Reverse Lever for 3/8" Sq. Anvil | 1 |
| 7 | 325-8 | Valve | 1 | 33 | 30-5 | Roll Pin (3ø-5mm) | 1 |
| 8 | 139-9 | Valve Seat | 1 | 34 | 300-5 | 3/8" Sq. Anvil incl. Pin (30-5) | 1 |
| 9 | 305-2 | Motor Housing | 1 | 35 | 670-45 | Reverse Spring | 1 |
| 10 | P-7 | O-Ring | 1 | 36 | 670-17 | Reverse Pin | 1 |
| 11 | 325-6 | Air Regulator | 1 | 37 | 670-9 | Ratchet Pawl | 1 |
| 12 | 30-20 | Roll Pin (3ø-20mm) | 1 | 38 | 670-27 | Dowel Pin | 1 |
| 13 | 25-20 | Roll Pin (2.5ø-20mm) | 1 | 39 | SB-5/32 | Steel Ball | 2 |
| 14 | 310-4S | Valve Pin | 1 | 40 | 800B-44 | Thrust Washer Spring | 2 |
| 15 | 325-7 | Throttle Lever | 1 | 41 | 670-26 | Thrust Washer for 3/8" Sq. Anvil | 1 |
| 16 | 626 | Ball Bearing | 1 | 42 | IO-30 | Retaining Ring | 1 |
| 17 | 303-6 | Rear Plate | 1 | 43 | HK1212 | Needle Bearing | 1 |
| 18 | 301-15 | Rotor Blade | 4 | 44 | 302W-3 | Crank Shaft | 1 |
| 19 | 300-12 | Rotor | 1 | 45 | 670-8 | Drive Bushing | 1 |
| 20 | 15-6 | Roll Pin (1.5ø-6mm) | 2 | 46 | 670-3 | Yoke | 1 |
| 21 | 303-11 | Cylinder | 1 | 47 | 150-55 | Boot | 1 |
| 22 | 303-5 | Front Plate | 1 | ★ 48 | 671H-3 | Reverse Lever for 1/2" Sq. Anvil | 1 |
| 23 | 25-4 | Roll Pin (2.5ø-4mm) | 1 | ★ 49 | 671H-2 | 1/2" Sq. Anvil incl. Pin (30-5) | 1 |
| 24 | 608ZZ | Ball Bearing | 1 | ★ 50 | 671H-1 | Thrust Washer for 1/2" Sq. Anvil | 1 |
| 25 | 670-18 | Lock Washer | 1 | 51 | 680-28A | Screen | 1 |
| 26 | 300-23 | Internal Gear | 1 | 52 | CRTW-12 | Retainer | 1 |