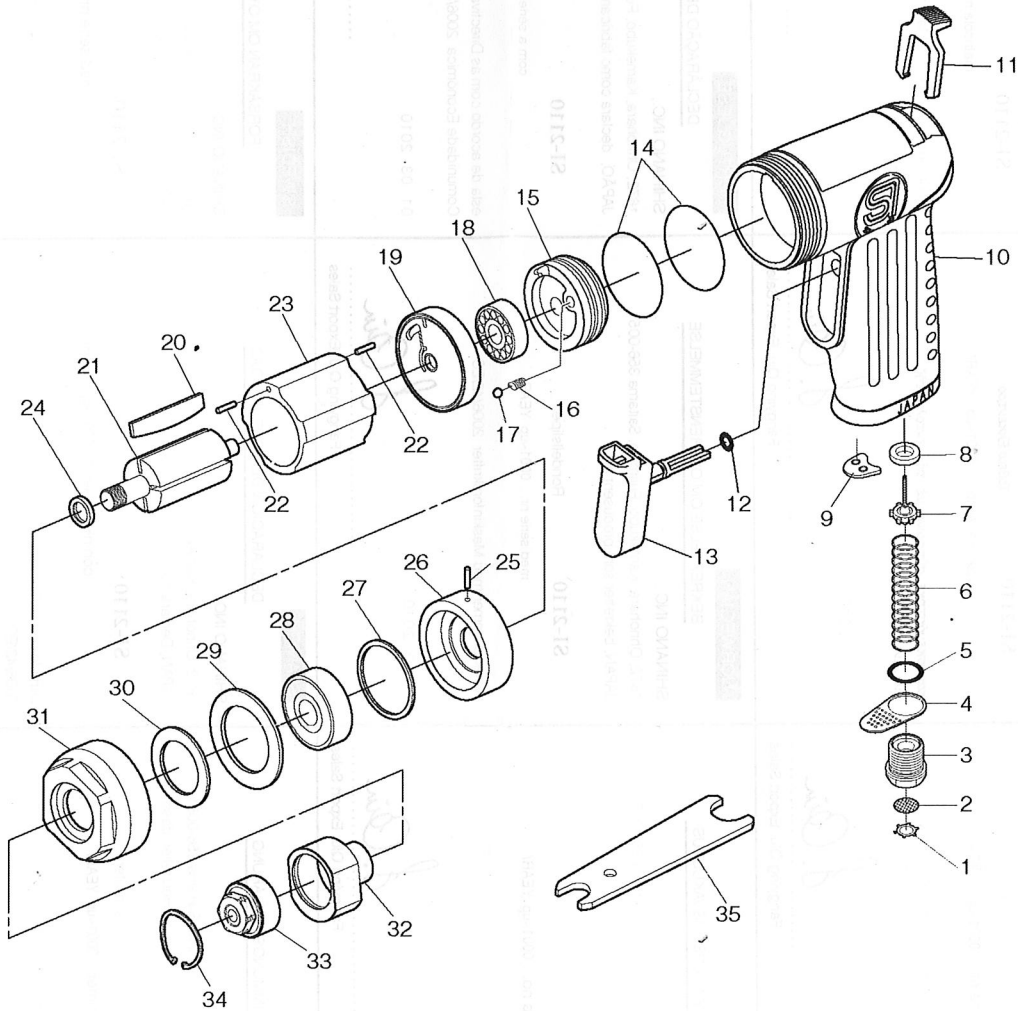


SI-2110

Mini D/A Sander



Ref. No.	Parts No.	Description	Q'ty	Ref. No.	Parts No.	Description	Q'ty
1	CRTW-12	Retainer	1	23	303-11	Cylinder	1
2	680-28A	Screen	1	24	330-18	Collar	1
3	139-11	Inlet Bushing	1	25	25-3.5	Roll Pin(2.5φ-3.5mm)	1
4	139-12	Deflector	1	26	139-5	Front Plate	1
5	957-3	O-Ring	1	27	330-20	Shim (0.03mm)	1
6	139-15	Valve Spring	1	28	608-ZZ	Ball Bearing	1
7	139-8	Valve	1	29	670-18	Lock Washer	1
8	139-9	Valve Seat	1	30	139-16	Felt Seal	1
9	139-4	Restrictor	1	31	139-6	Lock Nut	1
10	139S-5	Motor Housing incl. Bush(139-20)	1	32	139DA-1	Balancer	1
11	139-3	Control Lever	1	33	262-20M	Random Shaft Ass'y incl. Ball Bearing, Spacer & Felt Ring(6000-ZZ, 262-22A, 262-23A)	1
12	216-6	O-Ring	1	34	BO-26	Retaining Ring	1
13	139S-4	Trigger	1	35	330-28	Spanner Wrench (11 x 17mm)	1
14	210R-7	O-Ring	2				
15	139-2	Regulator	1				
16	960-50	Spring	1				
17	SB-1/8	Steel Ball	1				
18	626	Ball Bearing	1				
19	139-14	Rear Plate	1				
20	119DP-5	Rotor Blade	4				
21	119-2	Rotor	1				
22	15-6	Roll Pin(1.5φ-6mm)	2				