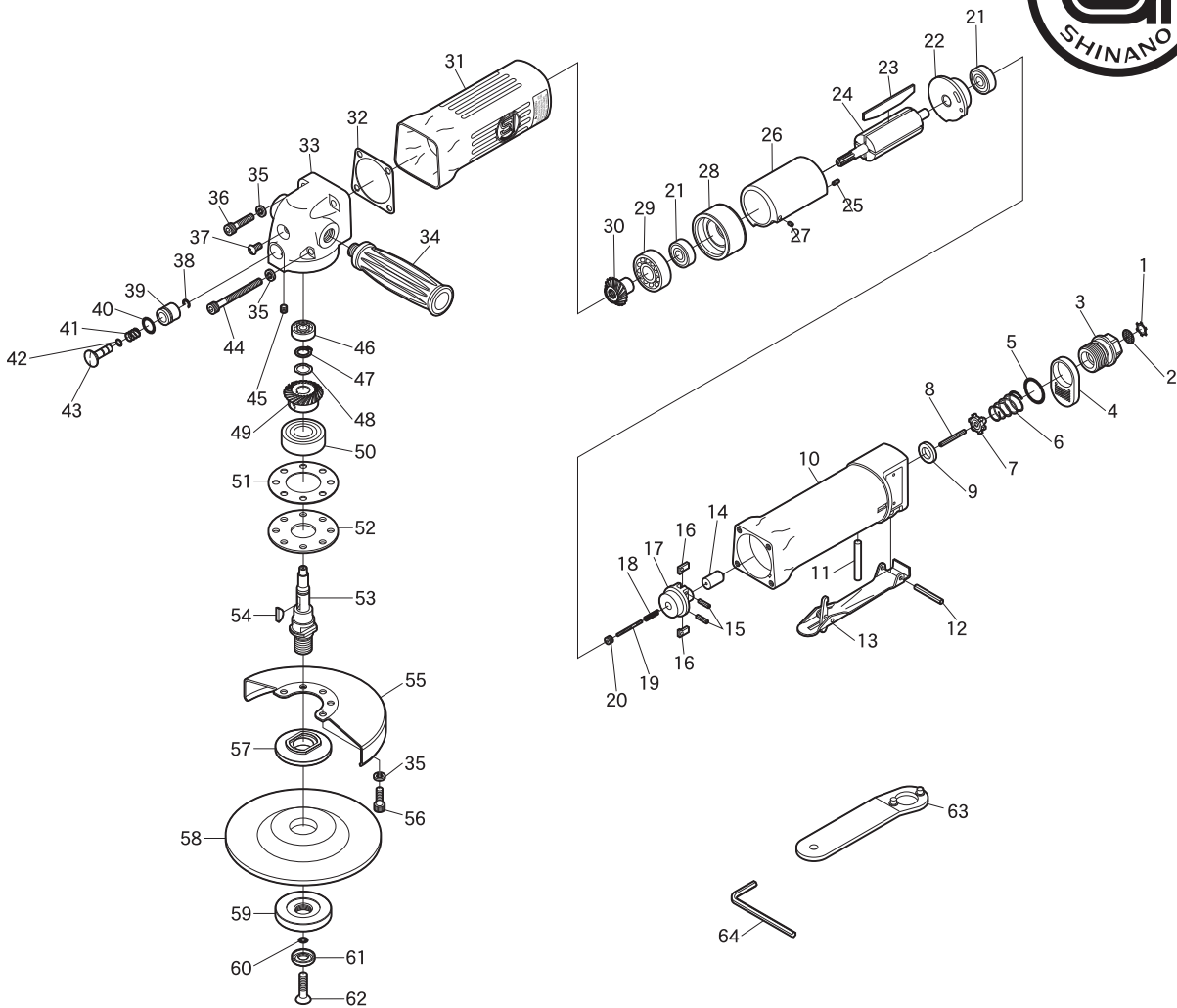


SI-2515LA

5" Disc Grinder-Rear Exhaust



| Ref. No. | Parts No. | Description | Q'ty | Ref. No. | Parts No. | Description | Q'ty |
|----------|-----------|--------------------|------|----------|------------|----------------------|------|
| 1 | CRTW-12 | Retainer | 1 | 33 | 240RL-2A | Angle Head | 1 |
| 2 | 680-28A | Screen | 1 | 34 | 240B-2 | Handle | 1 |
| 3 | 991-5 | Inlet Bushing | 1 | 35 | HSW-50 | Washer | 9 |
| 4 | 240RL-5 | Deflector | 1 | 36 | Z-M50--220 | Cap Screw | 2 |
| 5 | 991-7 | O-Ring | 1 | 37 | F-M60--80 | Screw | 1 |
| 6 | 960-32 | Valve Spring | 1 | 38 | CE-6 | Retaining Ring | 1 |
| 7 | 960-35 | Valve | 1 | 39 | 240RL-13 | Bush | 1 |
| 8 | 30-28 | Roll Pin(3Ø-28mm) | 1 | 40 | S-11.2 | O-Ring | 1 |
| 9 | 960-34 | Valve Seat | 1 | 41 | 240RL-11 | Spring | 1 |
| 10 | 240RL-1 | Motor Housing | 1 | 42 | 241RL-5 | O-Ring | 1 |
| 11 | 510A-6 | Valve Pin | 1 | 43 | 240RL-10A | Stopper | 1 |
| 12 | 40-30 | Roll Pin(4Ø-30mm) | 1 | 44 | Z-M50--500 | Cap Screw | 2 |
| 13 | 240-68 | Throttle Lever | 1 | 45 | ROM50---50 | Set Screw | 1 |
| 14 | 240-31 | Plunger | 1 | 46 | 626 | Ball Bearing | 1 |
| 15 | 30-12 | Roll Pin(3Ø-12mm) | 2 | 47 | JS-10 | Retaining Ring | 1 |
| 16 | 240-30 | Pendulum | 6 | 48 | WW-100 | Wave Washer | 1 |
| 17 | 240-29 | Governor | 1 | 49 | 241-8A | Bevel Gear | 1 |
| 18 | 240-34 | Governor Spring | 1 | 50 | 6202ZZ | Ball Bearing | 1 |
| 19 | 240-32 | Adjust Screw | 1 | 51 | 240-5 | Gasket | 1 |
| 20 | 240-33 | Adjust Nut | 1 | 52 | 240-4 | Retainer | 1 |
| 21 | 608ZZ | Ball Bearing | 2 | 53 | 241-14-3A | Spindle | 1 |
| 22 | 240RL-9 | Rear Plate | 1 | 54 | 480-23 | Key | 1 |
| 23 | 650-13 | Rotor Blade | 4 | 55 | 241-5 | Disc Cover | 1 |
| 24 | 240-23 | Rotor | 1 | 56 | Z-M50--150 | Cap Screw | 5 |
| 25 | 25-6 | Roll Pin(2.5Ø-6mm) | 1 | 57 | 241-14-1A | Disc Receiver | 1 |
| 26 | 240RL-7 | Cylinder | 1 | 58 | 241-49 | 5" Disc | 1 |
| 27 | 25-4 | Roll Pin(2.5Ø-4mm) | 1 | 59 | 241-14-2A | Disc Nut | 1 |
| 28 | 240RL-8 | Front Plate | 1 | 60 | 2011AC-56 | O-Ring | 1 |
| 29 | 6201 | Ball Bearing | 1 | 61 | 2011AC-55A | Washer | 1 |
| 30 | 241-9 | Pinion Gear | 1 | 62 | Y-M60--250 | Cap Screw | 1 |
| 31 | 240RL-3 | Housing Cover | 1 | 63 | 510-2 | Pin Wrench (5Øx30mm) | 1 |
| 32 | 240RL-4 | Motor Gasket | 1 | 64 | WRA-4 | 4 mm Allen Wrench | 1 |